

PARTS CATALOG

Series PLA Ceiling Cassettes R410A

Indoor unit
[Model Name]

PLA-A12EA7

PLA-A18EA7

PLA-A24EA7

PLA-A30EA7

PLA-A36EA7

PLA-A42EA7

[Service Ref.]

PLA-A12EA7

PLA-A18EA7

PLA-A24EA7

PLA-A30EA7

PLA-A36EA7

PLA-A42EA7

Revision:

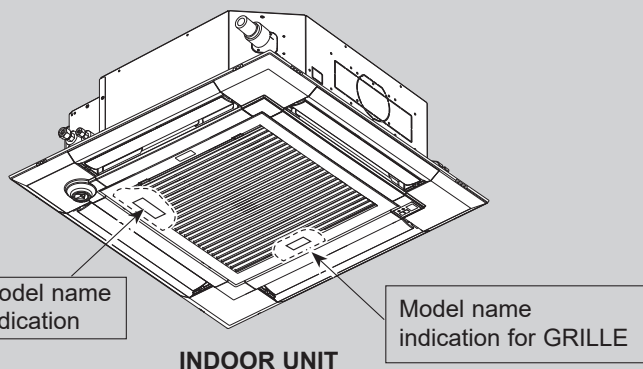
- Parts catalog has been updated in REVISED EDITION-B.

OCB640 REVISED EDITION-A is void.

Grille model
[Model Name]

PLP-40EAEU

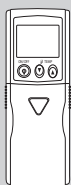
PLP-41EAEU



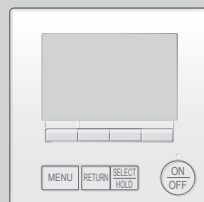
CONTENTS

1. SERVICE PARTS LIST 2
2. OPTIONAL PARTS 8

SERVICE MANUAL (OCH640)



**IR WIRELESS REMOTE
CONTROLLER**
(Option)

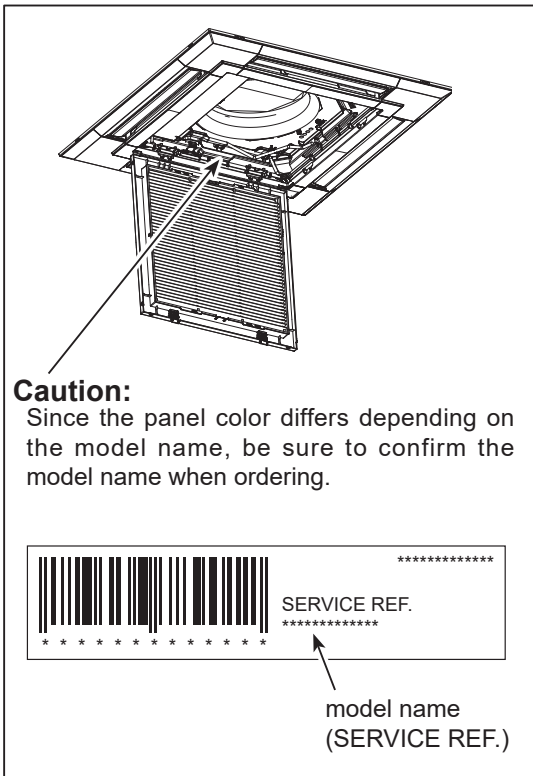


**WIRED REMOTE
CONTROLLER**
(Option)

1

SERVICE PARTS LIST

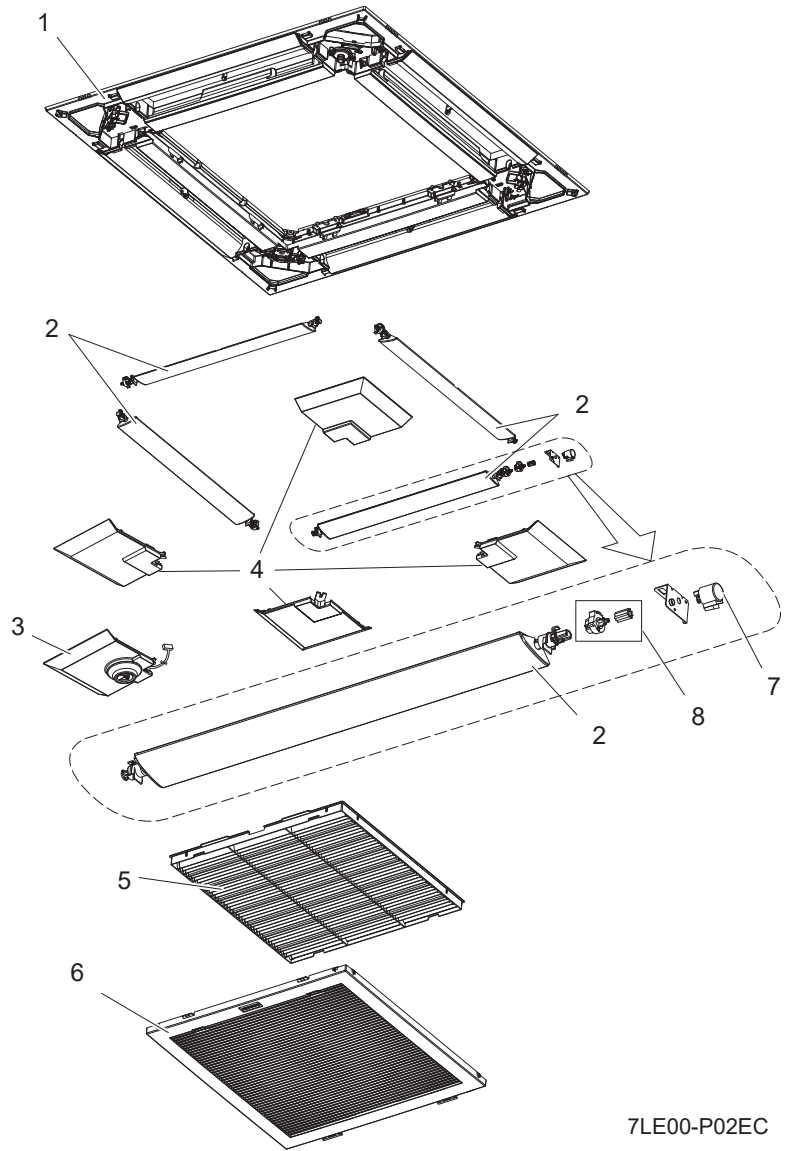
GRILLE PARTS



Caution:
Since the panel color differs depending on the model name, be sure to confirm the model name when ordering.

SERVICE REF.

↑
model name
(SERVICE REF.)

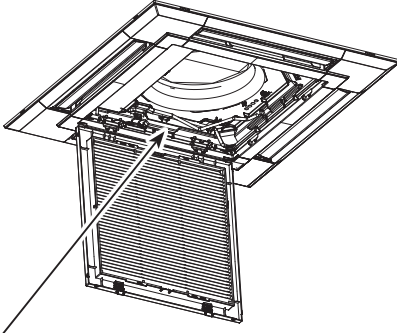


7LE00-P02EC


1. The part quantity below indicates the required number of pieces per unit.
2. The circled No. indicates that the part is not shown in the figure.

No.	Parts No.	Parts Name	PLP-40EAEU	Wiring Diagram Symbol	Remarks [Drawing No.]
1	R 0 1 E 3 8 0 0 3	PANEL ASSY	1		Panel color: Munsell 6.4Y 8.9/0.4
2	R 0 1 E 5 0 0 0 2	VANE & BUSH ASSY	4		Panel color: Munsell 6.4Y 8.9/0.4
3	R 0 1 E 3 1 6 3 8	CORNER PANEL-F	1		Panel color: Munsell 6.4Y 8.9/0.4
4	R 0 1 E 3 0 6 3 8	CORNER PANEL	3		Panel color: Munsell 6.4Y 8.9/0.4
5	R 0 1 E 3 1 5 0 0	L. L. FILTER	1		
6	R 0 1 E 7 7 6 9 1	INTAKE GRILLE	1		Panel color: Munsell 6.4Y 8.9/0.4
7	R 0 1 E 1 9 2 2 3	STEPPING MOTOR	4	MV	
8	R 0 1 E 0 6 0 4 0	GEARS SET	4		

GRILLE PARTS

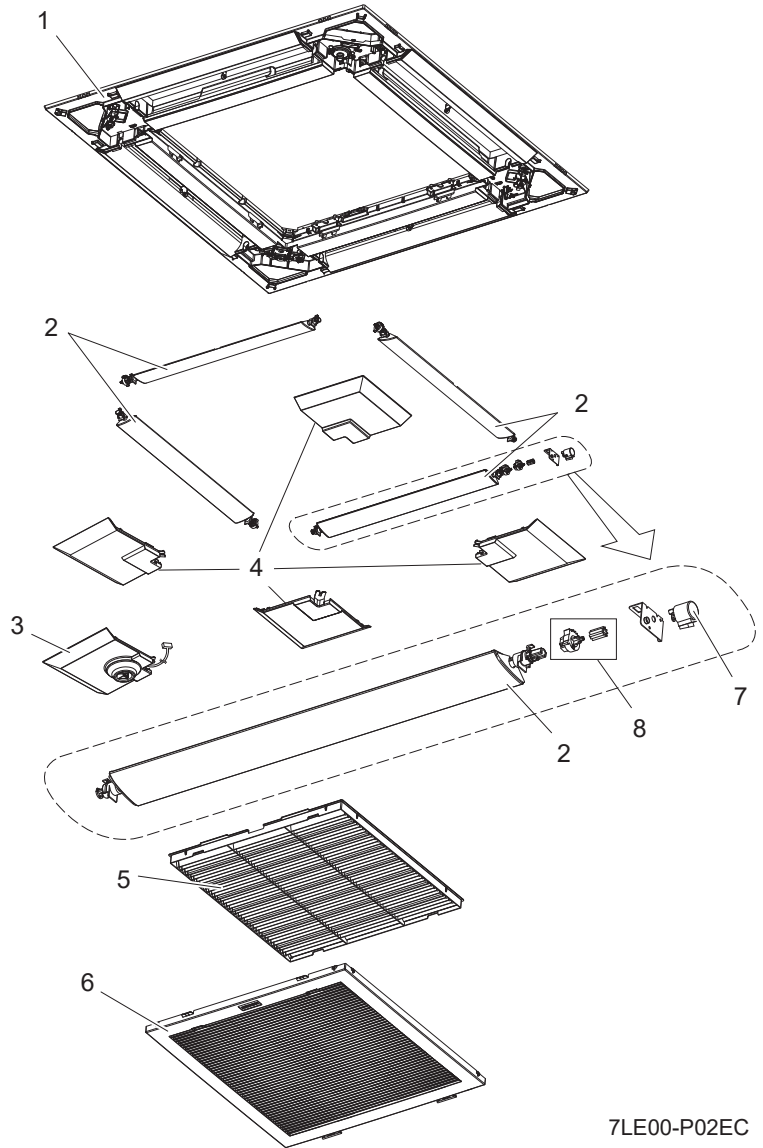


Caution:
Since the panel color differs depending on the model name, be sure to confirm the model name when ordering.



SERVICE REF.

model name
(SERVICE REF.)



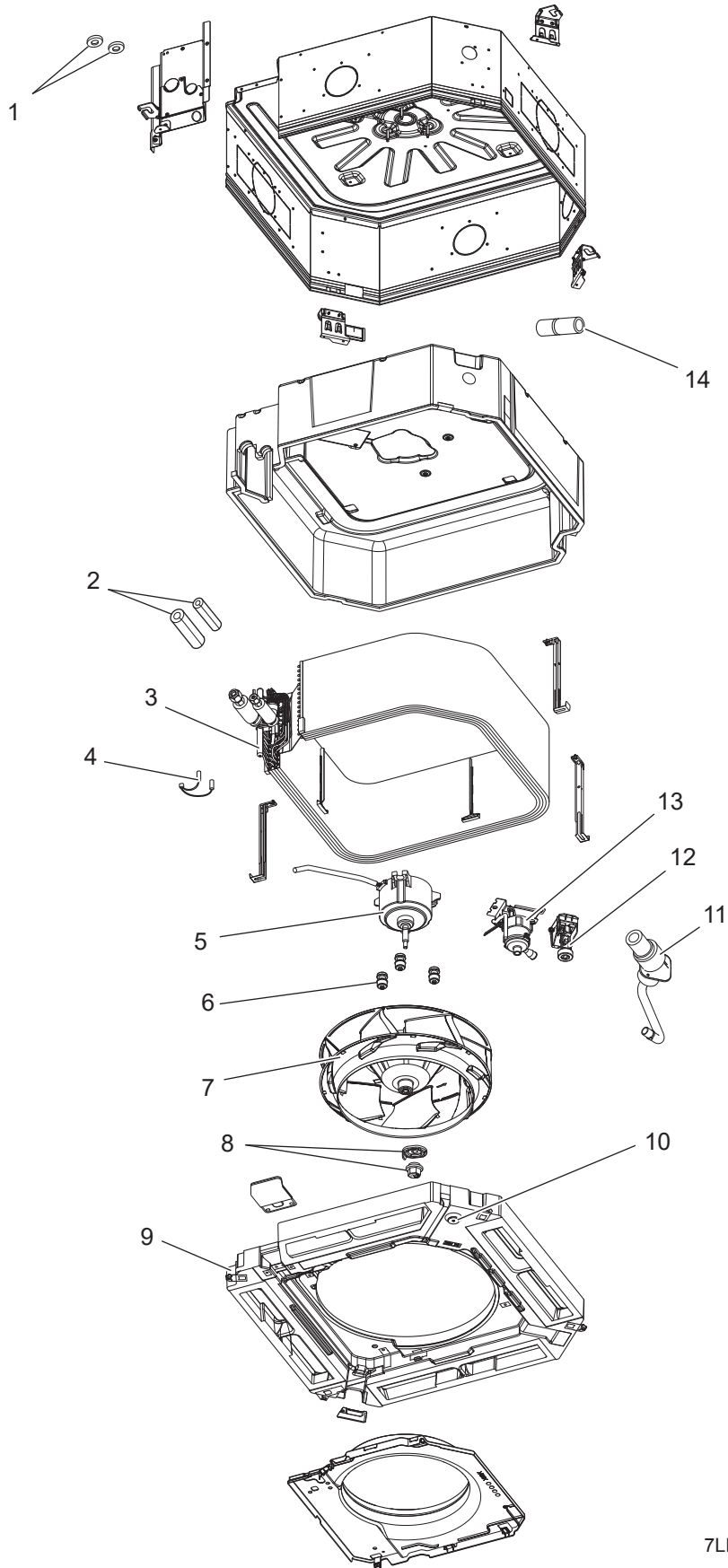
7LE00-P02EC

1. The part quantity below indicates the required number of pieces per unit.
2. The circled No. indicates that the part is not shown in the figure.

No.	Parts No.	Parts Name	PLP-41EAEU	Wiring Diagram Symbol	Remarks [Drawing No.]
1	E 2 7 F 8 5 0 0 3	AIR OUTLET GRILLE	1		Panel color: Munsell 1.0Y 9.2/0.2
2	E 2 7 F 8 5 0 3 7	AUTO VANE & VANE BUSH	4		Panel color: Munsell 1.0Y 9.2/0.2
3	E 2 7 F 8 6 9 7 5	CORNER PANEL (i-See sensor)	1		Panel color: Munsell 1.0Y 9.2/0.2
4	E 2 7 F 8 5 9 7 5	CORNER PANEL	3		Panel color: Munsell 1.0Y 9.2/0.2
5	E 2 7 F 8 5 1 0 0	AIR FILTER	1		
6	E 2 7 F 8 5 0 1 0	INTAKE GRILLE	1		Panel color: Munsell 1.0Y 9.2/0.2
7	E 2 7 1 0 3 3 0 3	VANE MOTOR	4	MV	
8	E 2 7 F 8 5 0 3 1	GEAR (VANE & S/M)	4		

STRUCTURAL AND FUNCTIONAL PARTS

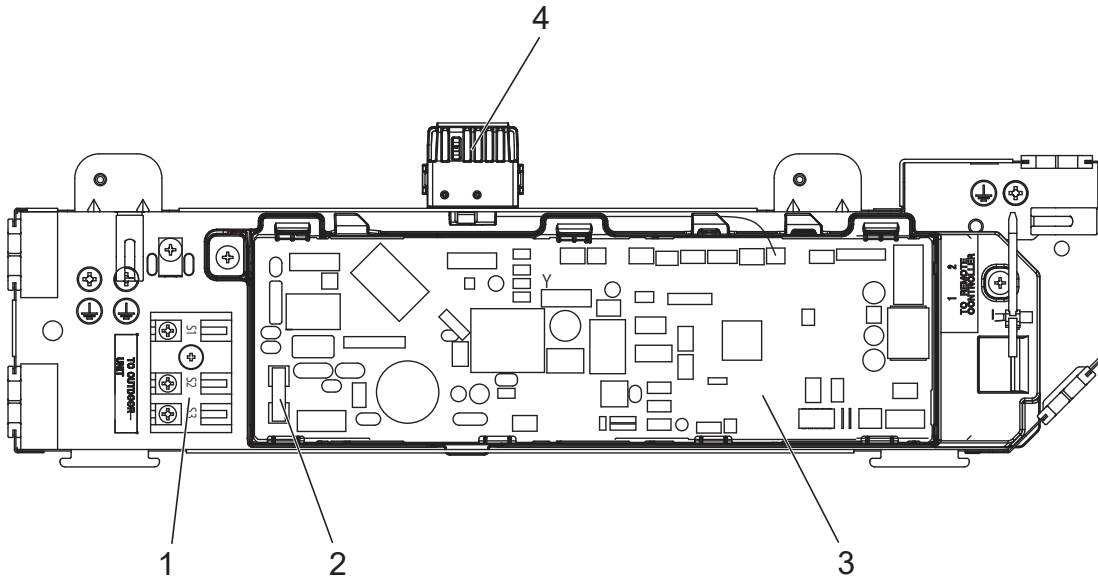
- PLA-A12EA7
- PLA-A18EA7
- PLA-A24EA7
- PLA-A30EA7
- PLA-A36EA7
- PLA-A42EA7



1. The part quantity below indicates the required number of pieces per unit.
2. The circled No. indicates that the part is not shown in the figure.

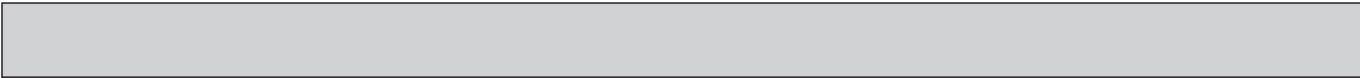
No.	Parts No.	Parts Name	PLA-A12EA7	PLA-A18EA7	PLA-A24EA7	PLA-A30EA7	PLA-A36EA7	PLA-A42EA7	Wiring Diagram Symbol	Remarks [Drawing No.]
1	R 0 1 E 1 5 0 9 7	WASHERS SET	1	1	1	1	1	1		
2	R 0 1 E 1 0 6 6 0	PIPE COVERS SET	1	1	1	1	1	1		
3	R 0 1 L 7 0 4 8 0	HEAT EXCHANGER	1	1						
3	R 0 1 L 7 7 4 8 0	HEAT EXCHANGER			1	1	1	1		
4	T 7 W R 0 0 2 0 2	THERMISTOR-L/G	1	1	1	1	1	1	TH2/TH5	
5	T 7 W L 0 1 2 2 0	FAN MOTOR-S	1	1					MF	
5	T 7 W L 0 2 2 2 0	FAN MOTOR-L			1	1	1	1	MF	
6	R 0 1 E 1 4 1 0 5	RUBBER MOUNT	3	3	3	3	3	3		
7	R 0 1 E 4 6 1 1 4	TURBO FAN /D8	1	1	1	1	1	1		
8	R 0 1 1 2 K 0 9 7	CAP NUT - M8 & WASHER	1	1	1	1	1	1		M8
9	T 7 W E 4 1 5 2 9	DRAIN PAN ASSY	1	1	1	1	1	1		
10	R 0 1 A 0 0 5 2 4	DRAIN PLUG	1	1	1	1	1	1		
11	R 0 1 E 1 0 5 2 3	DRAIN HOSE & SOCKET	1	1	1	1	1	1		
12	R 0 1 E 1 5 2 7 2	FLOAT SENSOR ASSY	1	1	1	1	1	1	FS	
13	R 0 1 E 1 9 3 5 5	DRAIN PUMP ASSY	1	1	1	1	1	1	DP	
14	T 7 W E 0 7 5 2 3	DRAIN SOCKET(ACC.)	1	1	1	1	1	1		

ELECTRICAL PARTS



1. The part quantity below indicates the required number of pieces per unit.
2. The circled No. indicates that the part is not shown in the figure.

No.	Parts No.	Parts Name	PLA-A12EA7	PLA-A18EA7	PLA-A24EA7	PLA-A30EA7	PLA-A36EA7	PLA-A42EA7	Wiring Diagram Symbol	Remarks [Drawing No.]
1	R 0 1 E 6 1 2 4 6	T.B./S1.S2.S3	1	1	1	1	1	1	TB4	3P (S1, S2, S3)
2	R 0 1 E 1 4 2 3 9	FUSE 6.3A 250V	1	1	1	1	1	1	FUSE	6.3A 250V
3	T 7 W S 0 2 3 1 0	CONTROLLER BOARD	1	1	1	1	1	1	I.B	
4	T 7 W S 0 0 2 0 2	THERMISTOR (ROOM)	1	1	1	1	1	1	TH1	



This page is intentionally left blank to make double-page spread.

2**OPTIONAL PARTS**

Parts name	Parts No.
SPACE PANEL	PAC-SJ65AS-E
AIR OUTLET SHUTTER PLATE	PAC-SJ37SP-E
WIRED REMOTE CONTROLLER (MA REMOTE CONTROLLER)	PAR-40MAA
WIRED REMOTE CONTROLLER (SIMPLE MA REMOTE CONTROLLER)	PAC-YT53CRAU
WIRELESS REMOTE CONTROLLER	PAR-FL32MA
WIRELESS SIGNAL RECEIVER (CORNER PANEL)	PAR-SR4LU-E
HIGH EFFICIENCY FILTER (PAC-SH53TM-E is required in using this optional part.)	PAC-SH59KF-E
MULTI-FUNCTIONAL CASEMENT	PAC-SJ41TM-E
FLANGE FOR FRESH AIR INTAKE	PAC-SH65OF-E
GRILLE (3D i-See sensor panel) [Panel color: Munsell 6.4Y 8.9/0.4]	PLP-40EAEU
GRILLE (3D i-See sensor panel) [Panel color: Munsell 1.0Y 9.2/0.2]	PLP-41EAEU

mitsubishi electric corporation

HEAD OFFICE: TOKYO BUILDING, 2-7-3, MARUNOUCHI, CHIYODA-KU, TOKYO 100-8310, JAPAN

©Copyright 2016 MITSUBISHI ELECTRIC CORPORATION
Issued: Dec. 2019 No.OCB640 REVISED EDITION-B
Issued: Mar. 2018 No.OCB640 REVISED EDITION-A
Published: Oct. 2016 No.OCB640
Made in Japan

Specifications are subject to change without notice.