

ELECTRICAL PARTS

PKA-A12GA<sub>1</sub>

PKA-A12GAL<sub>1</sub>

PKA-A12GA<sub>2</sub>

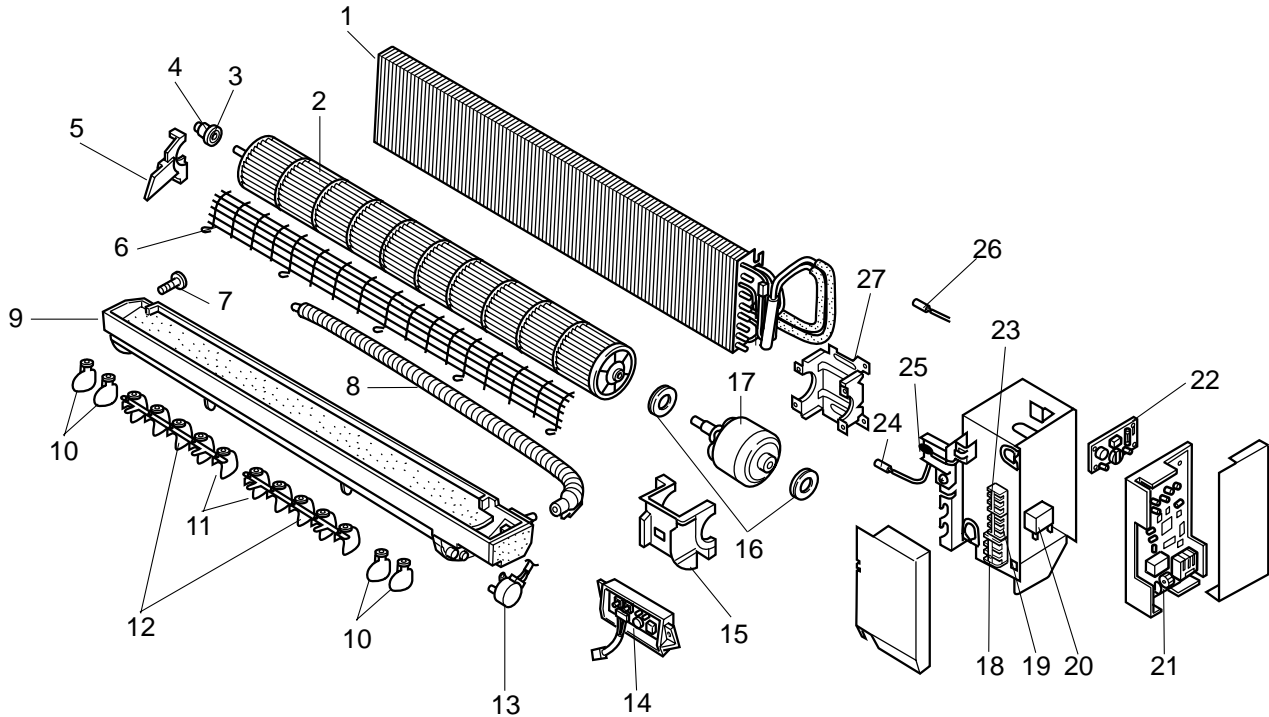
PKA-A12GAL<sub>2</sub>

PKA-A18GA<sub>1</sub>

PKA-A18GAL<sub>1</sub>

PKA-A18GA<sub>2</sub>

PKA-A18GAL<sub>2</sub>



Part number that is circled is not shown in the figure.

No.	RoHS	Parts No.	Parts Name	Specifications	Q'ty/set				Remarks (Drawing No.)	Wiring Diagram Symbol	Recom- ended Q'ty
					PKA-A12,18						
					GA <sub>1</sub>	GAL <sub>1</sub>	GA <sub>2</sub>	GAL <sub>2</sub>			
1	G	T7W H28 480	HEAT EXCHANGER		1	1	1	1			
2	G	R01 E22 114	LINE FLOW FAN		1	1	1	1			
3	G	R01 08Y 102	BEARING MOUNT		1	1	1	1			
4	G	R01 E04 103	SLEEVE BEARING		1	1	1	1			
5	G	R01 08Y 106	BEARING SUPPORT		1	1	1	1			
6	G	T7W A01 675	FAN GUARD		1	1	1	1			
7	G	R01 08Y 524	DRAIN PLUG		1	1	1	1			
8	G	R01 08Y 527	DRAIN HOSE		1	1	1	1			
9	G	R01 08Y 530	NOZZLE		1	1	1	1			
10	G	R01 10Y 038	GUIDE VANE		4	4	4	4			
11	G	R01 08Y 038	GUIDE VANE		10	10	10	10			
12	G	R01 08Y 059	ARM		2	2	2	2			
13	G	R01 E14 223	VANE MOTOR		1	1	1	1			MV
14	G	R01 E06 317	WIRELESS ADAPTER CONTROLLER BOARD			1		1			W.B
15	G	R01 08Y 135	MOTOR COVER		1	1	1	1			
16	G	R01 08Y 105	RUBBER MOUNT		2	2	2	2			
17	G	T7W E30 762	FAN MOTOR	PM4V30-K	1	1	1	1			MF

Continued to the next page

# RoHS PARTS LIST

From the previous page

No.	RoHS	Parts No.	Parts Name	Specifications	Q'ty/set				Remarks (Drawing No.)	Wiring Diagram Symbol	Recom- mended Q'ty
					PKA-A12,18						
					GA <sub>1</sub>	GAL <sub>1</sub>	GA <sub>2</sub>	GAL <sub>2</sub>			
18	G	T7W E41 716	TERMINAL BLOCK	3P(L1, L2, GR)	1	1				TB2	
19	G	R01 E18 246	TERMINAL BLOCK	3P(S1, S2, S3)	1	1	1	1		TB4	
20	G	T7W E17 255	CAPACITOR	2.0 $\mu$ F x 440V	1	1	1	1		C	
21	G	T7W E56 310	INDOOR CONTROLLER BOARD		1	1				I.B	
	G	T7W E70 310	INDOOR CONTROLLER BOARD				1	1		I.B	
22	G	T7W E35 313	POWER BOARD		1	1	1	1		P.B	
23	G	R01 E21 246	TERMINAL BLOCK	2P(1,2)	1					TB5	
	G	R01 E48 246	TERMINAL BLOCK	2P(1,2)			1			TB5	
24	G	R01 H11 202	CONDENSER/EVAPORATOR TEMPERATURE THERMISTOR		1	1	1	1		TH5	
25	G	R01 H08 202	ROOM TEMPERATURE THERMISTOR		1	1				TH1	
	G	R01 N18 202	ROOM TEMPERATURE THERMISTOR				1	1		TH1	
26	G	R01 H05 202	PIPE TEMPERATURE THERMISTOR		1	1	1	1		TH2	
27	G	T7W E10 130	MOTOR SUPPORT		1	1	1	1			
28	G	R01 E06 239	FUSE	6.3A 250V	1	1	1	1		FUSE	

# RoHS PARTS LIST

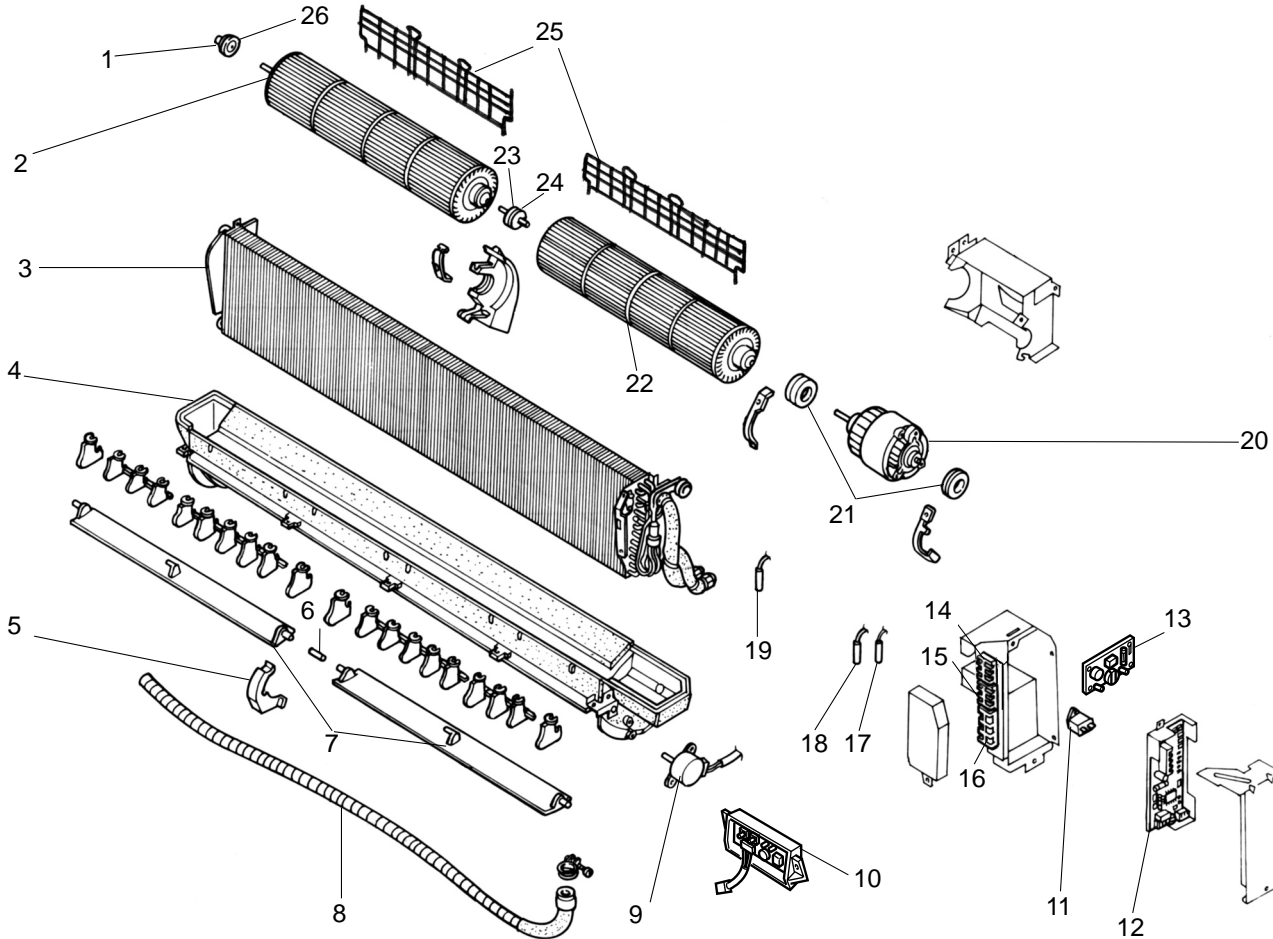
## ELECTRICAL PARTS

PKA-A24FA<sub>1</sub>  
PKA-A24FA<sub>2</sub>

PKA-A30FA<sub>1</sub>  
PKA-A30FA<sub>2</sub>

PKA-A24FAL<sub>1</sub>  
PKA-A24FAL<sub>2</sub>

PKA-A30FAL<sub>1</sub>  
PKA-A30FAL<sub>2</sub>



Part number that is circled is not shown in the figure.

No.	RoHS	Part No.	Part Name	Specification	Q'ty/set								Remarks (Drawing No.)	Wiring Diagram Symbol	Recom- mended Q'ty
					PKA-A										
					24	30	24	30	24	30	24	30			
		FA <sub>1</sub>	FAL <sub>1</sub>	FA <sub>2</sub>	FAL <sub>2</sub>										
1	G	R01 Z61 102	BEARING MOUNT		1	1	1	1	1	1	1	1			
2	G	R01 E23 114	LEFT LINEFLOW FAN		1	1	1	1	1	1	1	1			
3	G	T7W H25 480	HEAT EXCHANGER		1		1		1		1				
	G	T7W H26 480	HEAT EXCHANGER			1		1		1		1			
4	G	T7W E24 529	DRAIN PAN		1	1	1	1	1	1	1	1			
5	G	R01 14G 621	CENTER COVER		1	1	1	1	1	1	1	1			
6	G	R01 13G 063	JOINT SHAFT		1	1	1	1	1	1	1	1			
7	G	R01 18G 002	AUTO VANE		2	2	2	2	2	2	2	2			
8	G	R01 E04 527	DRAIN HOSE		1	1	1	1	1	1	1	1			
9	G	R01 E15 223	VANE MOTOR		1	1	1	1	1	1	1	1		MV	
10	G	R01 E06 317	WIRELESS ADAPTER CONTROLLER BOARD				1	1			1	1		W.B	
11	G	T7W E16 255	CAPACITOR	2.5μF 440V	1	1	1	1	1	1	1	1		C	
12	G	T7W E56 310	INDOOR CONTROLLER BOARD		1	1	1	1						I.B	
	G	T7W E70 310	INDOOR CONTROLLER BOARD						1	1	1	1		I.B	

# RoHS PARTS LIST

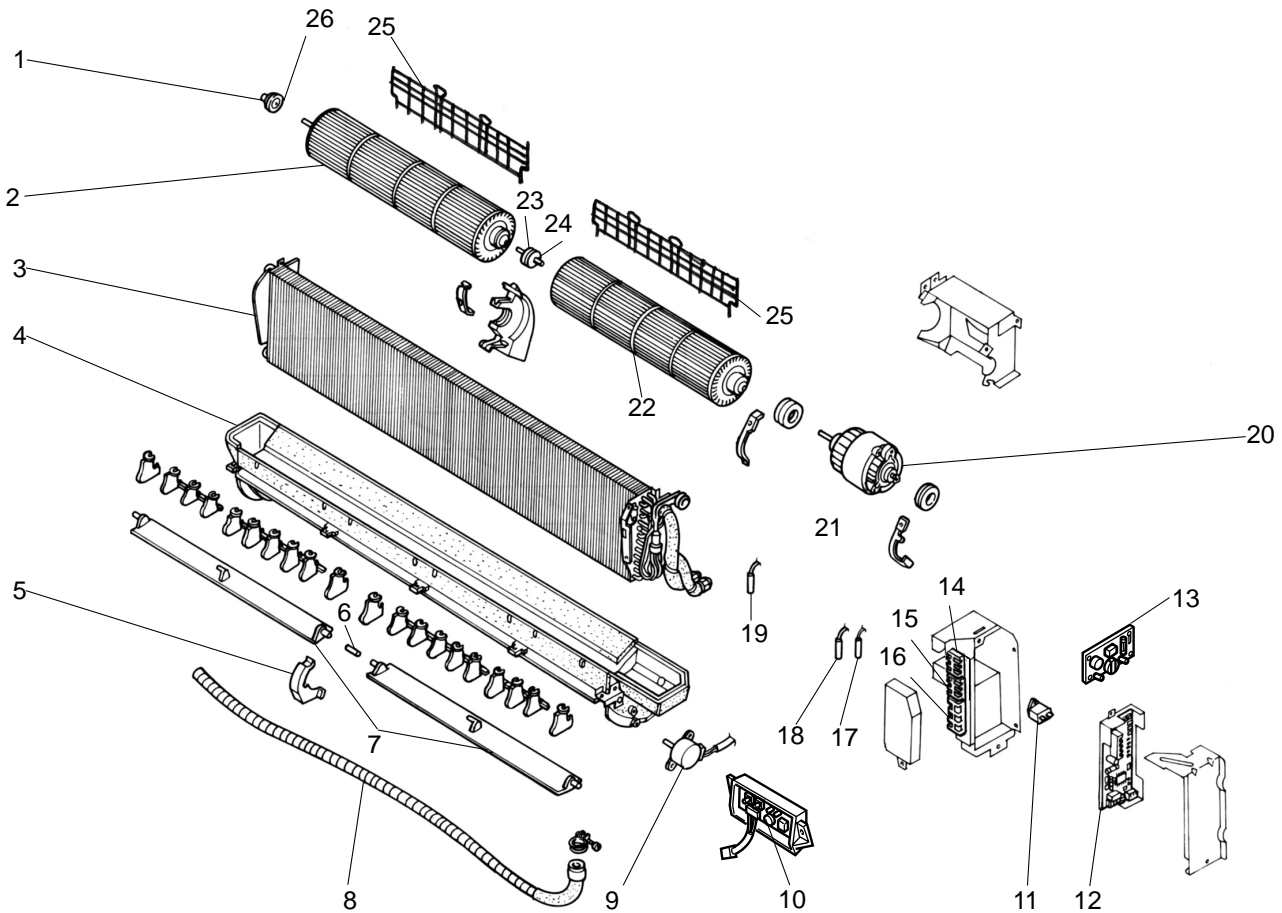
From the previous page

No.	RoHS	Part No.	Part Name	Specification	Q'ty/set								Remarks (Drawing No.)	Wiring Diagram Symbol	Recom- mended Q'ty	
					PKA-A											
					24	30	24	30	24	30	24	30				
FA <sub>1</sub>		FAL <sub>1</sub>		FA <sub>2</sub>		FAL <sub>2</sub>										
13	G	T7W E35 313	INDOOR POWER BOARD		1	1	1	1	1	1	1	1	1		P.B	
14	G	R01 E48 246	TERMINAL BLOCK	2P(1, 2)	1	1			1	1					TB5	
15	G	R01 E18 246	TERMINAL BLOCK	3P(S1, S2, S3)	1	1	1	1	1	1	1	1	1		TB4	
16	G	T7W E41 716	TERMINAL BLOCK	3P(L1, L2, GR)	1	1	1	1							TB2	
17	G	R01 H06 202	ROOM TEMPERATURE THERMISTOR		1	1	1	1	1	1	1	1	1		TH1	
18	G	R01 H07 202	CONDENSER / EVAPORATOR TEMPERATURE THERMISTOR		1	1	1	1	1	1	1	1	1		TH5	
19	G	R01 H05 202	PIPE TEMPERATURE THERMISTOR	PN4N45-K	1	1	1	1	1	1	1	1	1		TH2	
20	G	T7W B05 762	FAN MOTOR		1	1	1	1	1	1	1	1	1		MF	
21	G	R01 12G 105	RUBBER MOUNT		2	2	2	2	2	2	2	2	2			
22	G	R01 E04 115	RIGHT LINEFLOW FAN		1	1	1	1	1	1	1	1	1			
23	G	R01 KV5 102	BEARING MOUNT		1	1	1	1	1	1	1	1	1			
24	G	R01 E03 103	SLEEVE BEARING		1	1	1	1	1	1	1	1	1			
25	G	T7W E15 675	FAN GUARD		2	2	2	2	2	2	2	2	2			
26	G	R01 E04 103	SLEEVE BEARING		1	1	1	1	1	1	1	1	1			
27	G	R01 E06 239	FUSE	6.3A 250V	1	1	1	1	1	1	1	1	1		FUSE	

# RoHS PARTS LIST

## ELECTRICAL PARTS

PKA-A36FA<sub>1</sub> PKA-A36FAL<sub>1</sub> PKA-A36FA<sub>2</sub> PKA-A36FAL<sub>2</sub>



Part number that is circled is not shown in the figure.

No.	RoHS	Part No.	Part Name	Specification	Q'ty/set				Remarks (Drawing No.)	Wiring Diagram Symbol	Recom- mended Q'ty
					PKA-A36						
					FA <sub>1</sub>	FAL <sub>1</sub>	FA <sub>2</sub>	FAL <sub>2</sub>			
1	G	R01 Z61 102	BEARING MOUNT		1	1	1	1			
2	G	R01 19G 114	LEFT LINEFLOW FAN		1	1	1	1			
3	G	T7W H27 480	HEAT EXCHANGER		1	1	1	1			
4	G	T7W E25 529	DRAIN PAN		1	1	1	1			
5	G	R01 14G 621	CENTER COVER		1	1	1	1			
6	G	R01 13G 063	JOINT SHAFT		1	1	1	1			
7	G	R01 19G 002	AUTO VANE		2	2	2	2			
8	G	R01 E04 527	DRAIN HOSE		1	1	1	1			
9	G	R01 E15 223	VANE MOTOR		1	1	1	1		MV	
10	G	R01 E06 317	WIRELESS ADAPTER CONTROLLER BOARD			1		1		W.B	
11	G	T7W E16 255	CAPACITOR	2.5F 440V	1	1	1	1		C	
12	G	T7W E56 310	INDOOR CONTROLLER BOARD		1	1				I.B	
	G	T7W E70 310	INDOOR CONTROLLER BOARD				1	1		I.B	

# RoHS PARTS LIST

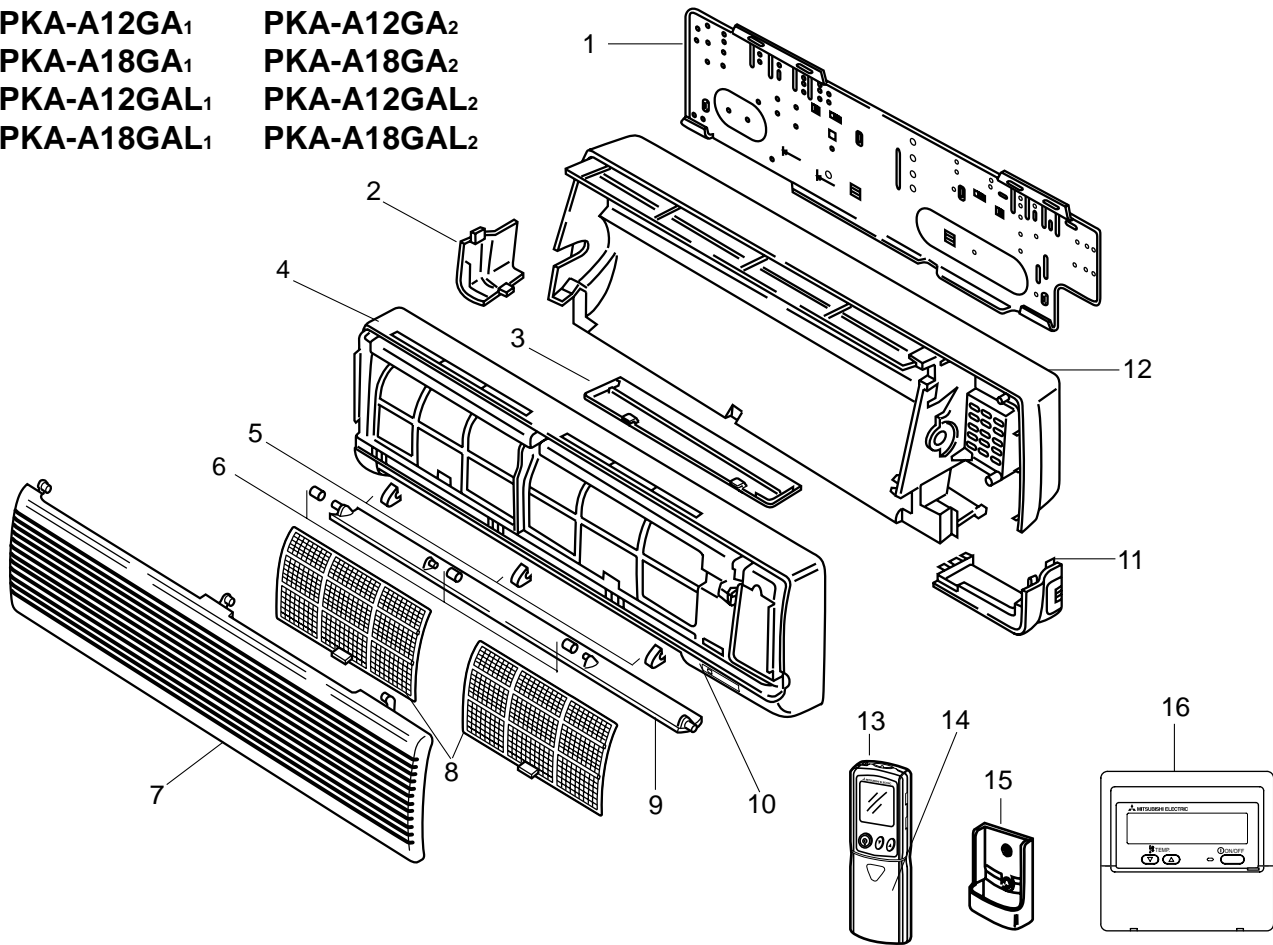
From the previous page

No.	RoHS	Part No.	Part Name	Specification	Q'ty/set				Remarks (Drawing No.)	Wiring Diagram Symbol	Recom- mended Q'ty
					PKA-A36						
					FA <sub>1</sub>	FAL <sub>1</sub>	FA <sub>2</sub>	FAL <sub>2</sub>			
13	G	T7W E35 313	INDOOR POWER BOARD		1	1	1	1		P.B	
14	G	R01 E48 246	TERMINAL BLOCK	2P(1, 2)	1		1			TB5	
15	G	R01 E18 246	TERMINAL BLOCK	3P(S1, S2, S3)	1	1	1	1		TB4	
16	G	T7W E41 716	TERMINAL BLOCK	3P(L1,L2,GR)	1	1				TB2	
17	G	R01 H06 202	ROOM TEMPERATURE THERMISTOR		1	1	1	1		TH1	
18	G	R01 H07 202	CONDENSER / EVAPORATOR TEMPERATURE THERMISTOR		1	1	1	1		TH5	
19	G	R01 H05 202	PIPE TEMPERATURE THERMISTOR		1	1	1	1		TH2	
20	G	T7W B06 762	FAN MOTOR	PN4N70-K	1	1	1	1		MF	
21	G	R01 16G 105	RUBBER MOUNT		2	2	2	2			
22	G	R01 19G 115	RIGHT LINEFLOW FAN		1	1	1	1			
23	G	R01 KV5 102	BEARING MOUNT		1	1	1	1			
24	G	R01 E03 103	SLEEVE BEARING		1	1	1	1			
25	G	T7W E16 675	FAN GUARD		2	2	2	2			
26	G	R01 E04 103	SLEEVE BEARING		1	1	1	1			
27	G	R01 E06 239	FUSE	6.3A 250V	1	1	1	1		FUSE	

# RoHS PARTS LIST

## STRUCTURAL PARTS

PKA-A12GA<sub>1</sub>    PKA-A12GA<sub>2</sub>  
 PKA-A18GA<sub>1</sub>    PKA-A18GA<sub>2</sub>  
 PKA-A12GAL<sub>1</sub>   PKA-A12GAL<sub>2</sub>  
 PKA-A18GAL<sub>1</sub>   PKA-A18GAL<sub>2</sub>

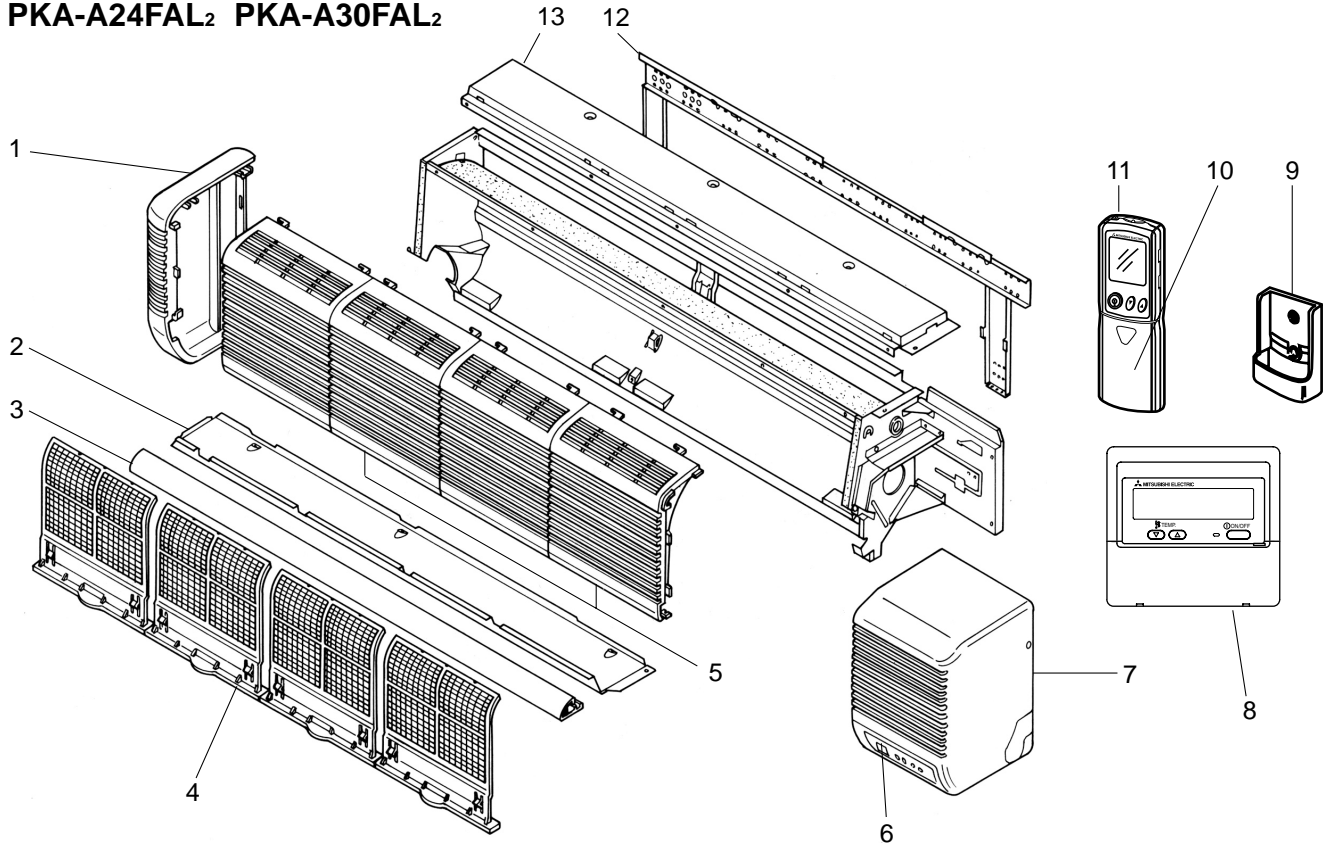


No.	RoHS	Parts No.	Parts Name	Specifications	Q'ty/set		Remarks (Drawing No.)	Wiring Diagram Symbol	Recom- mended Q'ty
					PKA-A12/18 GA <sub>1</sub> /GA <sub>2</sub>	GAL <sub>1</sub> /GAL <sub>2</sub>			
1	G	R01 08Y 808	BACK PLATE		1	1			
2	G	R01 08Y 658	CORNER COVER-L		1	1			
3	G	R01 08Y 623	UNDER COVER		1	1			
4	G	R01 E05 651	FRONT PANEL		1	1			
5	G	R01 08Y 096	SCREW CAP		3	3			
6	G	R01 08Y 092	VANE SLEEVE		1	1			
7	G	R01 08Y 691	FRONT GRILLE		1	1			
8	G	R01 A32 500	AIR FILTER		2	2			
9	G	R01 08Y 002	AUTO VANE		1	1			
10	G	R01 E18 658	RECEIVING UNIT			1		RU	
11	G	R01 10Y 658	CORNER COVER-R		1	1			
12	G	R01 08Y 635	BOX ASSEMBLY		1	1			
13	G	T7W E09 714	WIRELESS REMOTE CONTROLLER			1			
14	G	R01 E03 049	WIRELESS REMOTE CONTROLLER DOOR			1			
15	G	R01 E00 075	WIRELESS REMOTE CONTROLLER HOLDER			1			
16	G	T7W E14 713	WIRED REMOTE CONTROLLER		1			R.B	

# RoHS PARTS LIST

## STRUCTURAL PARTS

PKA-A24FA<sub>1</sub> PKA-A30FA<sub>1</sub>  
 PKA-A24FAL<sub>1</sub> PKA-A30FAL<sub>1</sub>  
 PKA-A24FA<sub>2</sub> PKA-A30FA<sub>2</sub>  
 PKA-A24FAL<sub>2</sub> PKA-A30FAL<sub>2</sub>



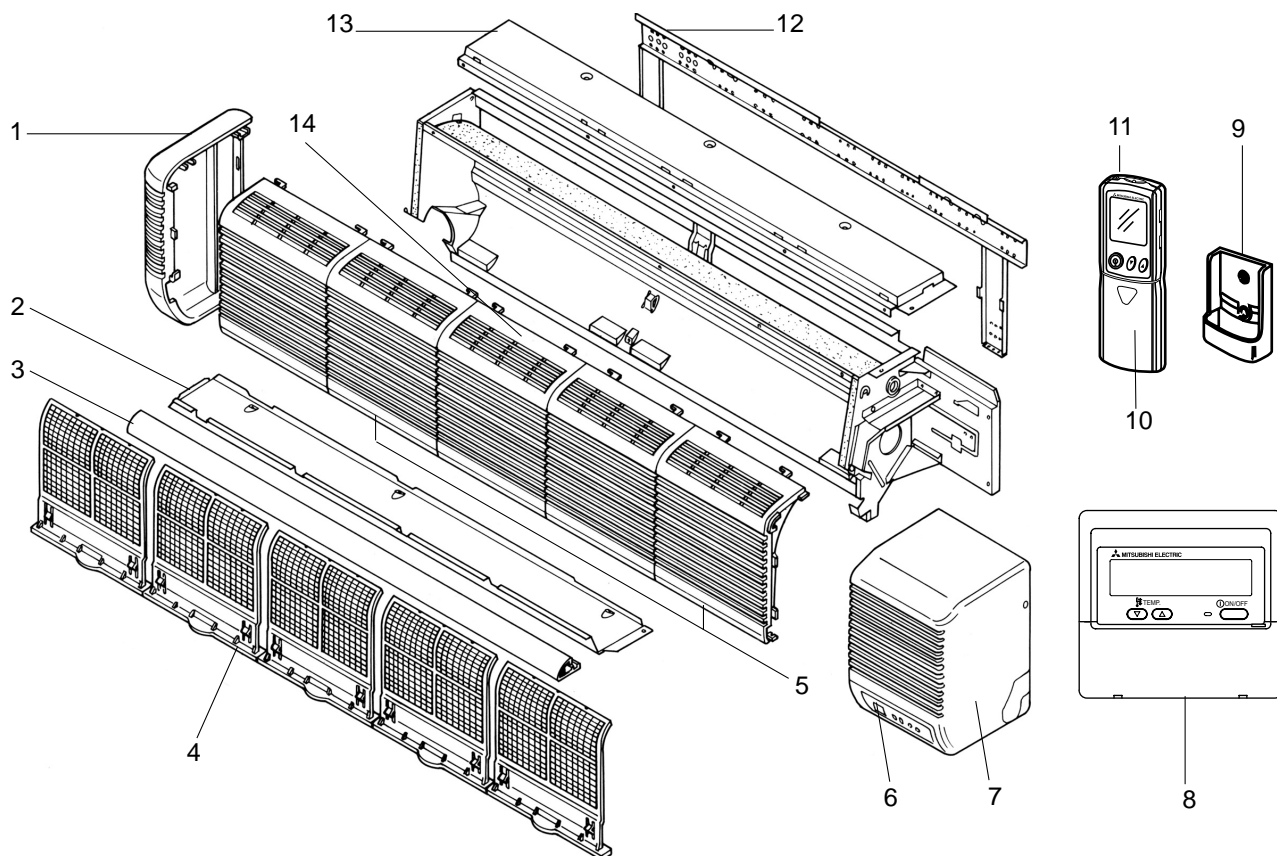
Part number that is circled is not shown in the figure.

No.	RoHS	Part No.	Part Name	Specifications	Q'ty/set		Remarks (Drawing No.)	Wiring Diagram Symbol	Recom- mended Q'ty
					PKA-A24/30				
					FA <sub>1</sub> /FA <sub>2</sub>	FAL <sub>1</sub> /FAL <sub>2</sub>			
1	G	R01 14G 662	LEFT SIDE PANEL		1	1			
2	G	R01 E02 812	UNDER PLATE		1	1			
3	G	R01 E00 811	NOSE		1	1			
4	G	R01 A17 500	AIR FILTER		4	4			
5	G	R01 17G 691	INTAKE GRILLE		2	2			
6	G	R01 E18 658	RECEIVER			1		RU	
7	G	R01 14G 661	RIGHT SIDE PANEL		1				
	G	T7W E18 661	RIGHT SIDE PANEL			1			
8	G	T7W E14 713	WIRED REMOTE CONTROLLER		1			R.B	
9	G	R01 E00 075	WIRELESS REMOTE CONTROLLER HOLDER			1			
10	G	R01 E03 049	WIRELESS REMOTE CONTROLLER DOOR			1			
11	G	T7W E08 714	WIRELESS REMOTE CONTROLLER			1			
12	G	R01 E03 808	BACK PLATE		1	1			
13	G	R01 E19 641	TOP PLATE		1	1			
⑭	G	R01 E02 523	DRAIN SOCKET		1	1			

# RoHS PARTS LIST

## STRUCTURAL PARTS

PKA-A36FA<sub>1</sub> PKA-A36FAL<sub>1</sub> PKA-A36FA<sub>2</sub> PKA-A36FAL<sub>2</sub>



Part number that is circled is not shown in the figure.

No.	RoHS	Part No.	Part Name	Specification	Q'ty/set		Remarks (Drawing No.)	Wiring Diagram Symbol	Recom- mended Q'ty
					PKA-A36				
					FA <sub>1</sub> /FA <sub>2</sub>	FAL <sub>1</sub> /FAL <sub>2</sub>			
1	G	R01 14G 662	LEFT SIDE PANEL		1	1			
2	G	R01 E03 812	UNDER PLATE		1	1			
3	G	R01 E01 811	NOSE		1	1			
4	G	R01 A17 500	AIR FILTER		5	5			
5	G	R01 17G 691	INTAKE GRILLE		2	2			
6	G	R01 E18 658	RECEIVER			1		RU	
7	G	R01 14G 661	RIGHT SIDE PANEL		1				
	G	T7W E18 661	RIGHT SIDE PANEL			1			
8	G	T7W E14 713	WIRED REMOTE CONTROLLER		1			R.B	
9	G	R01 E00 075	WIRELESS REMOTE CONTROLLER HOLDER			1			
10	G	R01 E03 049	WIRELESS REMOTE CONTROLLER DOOR			1			
11	G	T7W E08 714	WIRELESS REMOTE CONTROLLER			1			
12	G	R01 E04 808	BACK PLATE		1	1			
13	G	R01 E20 641	TOP PLATE		1	1			
14	G	R01 18G 692	INTAKE GRILLE		1	1			
15	G	R01 E02 523	DRAIN SOCKET		1	1			



**Mr. SLIM™**

## **MITSUBISHI ELECTRIC CORPORATION**

HEAD OFFICE : TOKYO BLDG., 2-7-3, MARUNOUCHI, CHIYODA-KU, TOKYO 100-8310, JAPAN

©Copyright 2006 MITSUBISHI ELECTRIC CORPORATION  
Distributed in Mar. 2013 No.OC369 REVISED EDITION-E  
Distributed in Apr. 2009 No.OC369 REVISED EDITION-D PDF 7  
Distributed in Oct. 2007 No.OC369 REVISED EDITION-C PDF 9  
Distributed in Jun. 2007 No.OC369 REVISED EDITION-B PDF 9  
Distributed in Aug. 2006 No.OC369 REVISED EDITION-A PDF 9  
Distributed in Feb. 2006 No.OC369 PDF 10

New publication, effective Mar. 2013  
Specifications are subject to change without notice.