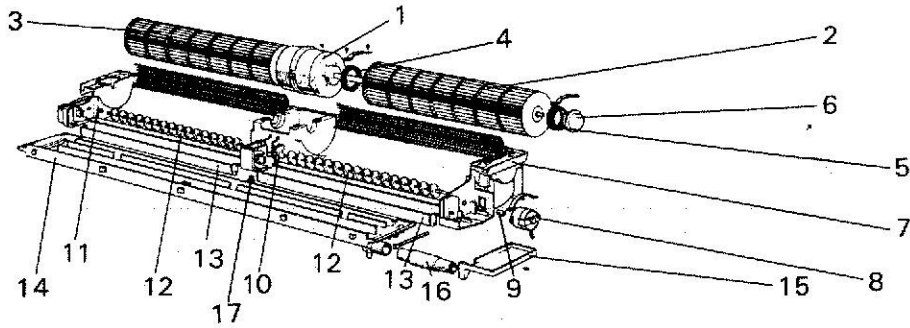
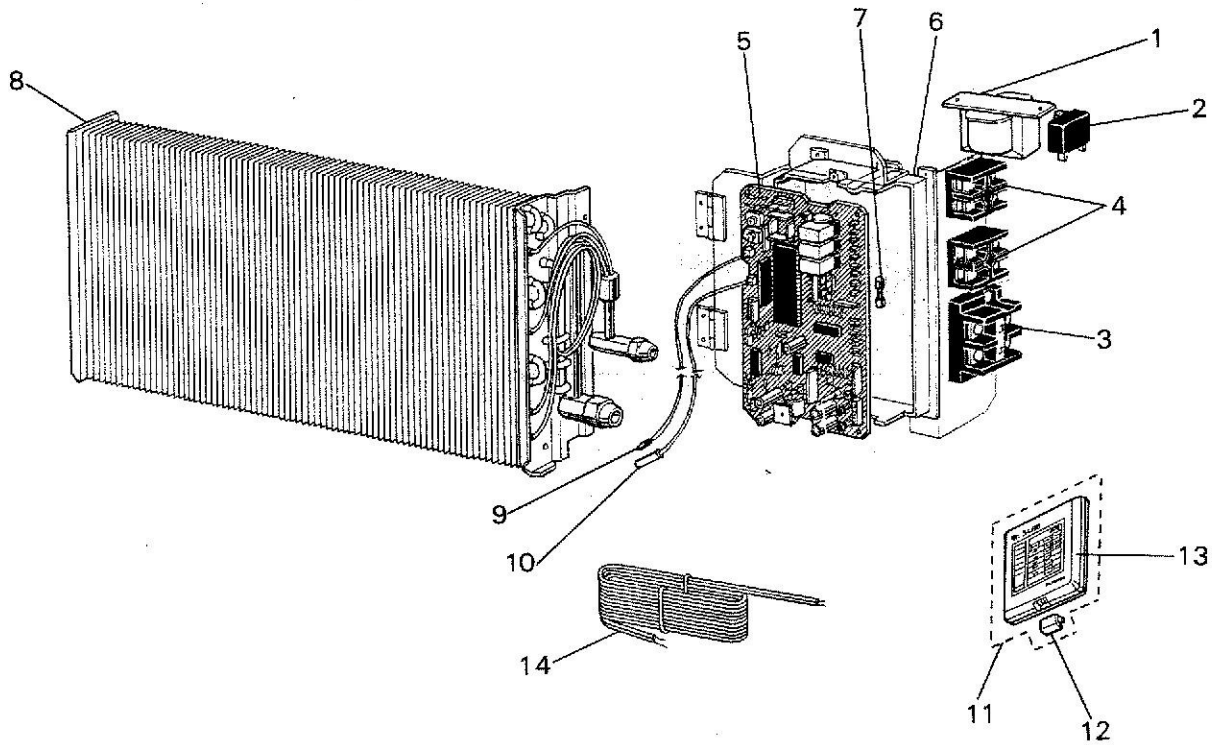


PK18/24/30EK, PKL18/24EK FAN PARTS



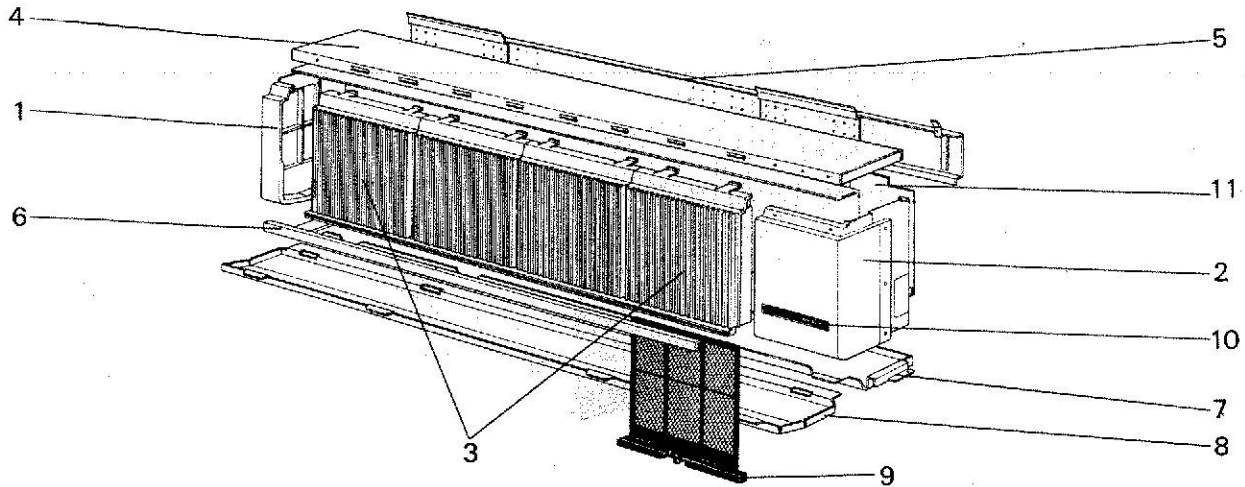
No.	Parts No.	Parts Name	Specifications Drawing No.	Q'ty/set			Remarks	Circuit Diagram Symbol	Recommended Q'ty	Price	
				PK18EK PKL18EK	PK24EK PKL24EK	PK30EK				Unit	Amount
1	T7W 936 762	FAN MOTOR	DFA-53C-LC	1	1	1	PK18/24EK PKL18/24EK	MF			
2	R01 808 115	LINE FLOW FAN (RIGHT)		1	1	1	PK18/24EK PKL18/24EK				
3	R01 808 114	LINE FLOW FAN (LEFT)		1	1	1	PK18/24EK PKL18/24EK				
4	R01 566 105	RUBBER MOUNT (MOTOR)		2	2	2	PK-EK PKL-EK				
5	R01 566 102	RUBBER MOUNT (BEARING)		2	2	2	PK-EK PKL-EK				
6	R01 556 103	BEARING		2	2	2	PK-EK PKL-EK				
7	T7W 938 117	SCROLL ASSEMBLY			1	1	PK24/30EK PKL24EK				
	T7W 936 117	SCROLL ASSEMBLY		1							
8	T7W 930 222	LOUVER MOTOR		1	1	1	PK-EK PKL-EK	ML			
9	R01 566 153	JOINT (LOUVER MOTOR)		1	1	1	PK-EK PKL-EK				
10	R01 566 063	JOINT (SWING LOUVER)		1	1	1	PK-EK PKL-EK				
11	R01 566 150	BUSHING (SWING LOUVER)		1	1	1					
12	R01 808 003	SWING LOUVER		2	2	2	PK-EK PKL-EK				
13	R01 569 002	GUIDE VANE		2	2	2	PK-EK PKL-EK				
14	R01 569 529	DRAIN PAN		1	1	1	PK-EK PKL-EK				
15	T7W 930 531	DRAIN COVER		1	1	1	PK-EK PKL-EK				
16	T7W 930 527	DRAIN HOSE		1	1	1	PK-EK PKL-EK				
17	R01 566 124	BUSHING SCROLL		1	1	1	PK-EK PKL-EK				

# PK18/24/30EK, PKL12/18/24EK ELECTRICAL PARTS



No.	Parts No.	Parts Name	Specifications Drawing No.	Q'ty/set				Remarks	Circuit Diagram Symbol	Recom- mended Q'ty	Price	
				PKL12EK	PK18EK PKL18EK	PK24EK PKL24EK	PK30EK				Unit	Amount
1	T7W A01 799	TRANSFORMER	RED:15.5VAC, 0.3A BRN:11.0VAC, 0.6A	1	1	1	1	PK-EK PKL-EK	T			
2	T7W 930 255	FAN CAPACITOR	250V 5 $\mu$ F		1	1	1	PK18/24EK PKL18/24EK	C			
	R01 A00 255	FAN CAPACITOR	440V 2.5 $\mu$ F	1					C			
3	T2W 811 375	TERMINAL BLOCK	40A 660V 2P(L1,L2)	1	1	1	1	PK-EK PKL-EK	TB1			
4	R01 556 246	TERMINAL BLOCK	15A 250V 2P(1,2)	2	2	2	2	PK-EK PKL-EK	TB2,3			
5	R01 K01 310	INDOOR CONTROLLER BOARD		1	1	1	1	PK-EK PKL-EK	I.B			
6	T7W 829 070	CONTROLLER CASE		1	1	1	1	PK-EK PKL-EK				
7	T7W 410 239	FUSE	250V 6A	1	1	1	1	PK-EK PKL-EK	F			
8	T7W A11 480	HEAT EXCHANGER			1							
	T7W A12 480	HEAT EXCHANGER				1		PK24EK PKL24EK				
	T7W A13 480	HEAT EXCHANGER					1					
	T7W A10 480	HEAT EXCHANGER		1								
9	R01 005 202	ROOM TEMPERATURE THERMISTOR		1	1	1	1	PK-EK PKL-EK	TH1			
10	R01 J07 202	INDOOR COIL THERMISTOR		1	1	1	1	PK-EK PKL-EK	TH2			
11	T7W 450 200	REMOTE CONTROLLER		1	1	1	1	PK-EK PKL-EK	R.B			
12	R01 L72 095	SCREW CAP		1	1	1	1	PK-EK PKL-EK				
13	T7W 351 077	REMOTE CONTROLLER COVER		1	1	1	1	PK-EK PKL-EK				
14	T7W 556 305	REMOTE CONTROLLER CABLE	39ft	1	1	1	1	PK-EK PKL-EK				

## PK18/24/30EK, PKL18/24EK STRUCTURAL PARTS



No.	Parts No.	Parts Name	Specifications Drawing No.	Q'ty/set			Remarks	Circuit Diagram Symbol	Recommended Q'ty	Price	
				PK18EK PKL18EK	PK24EK PKL24EK	PK30EK				Unit	Amount
1	R01 566 662	SIDE PANEL (LEFT)		1	1	1	PK-EK PKL-EK				
2	T7W 930 661	SIDE PANEL (RIGHT)		1	1	1	PK-EK PKL-EK				
3	R01 566 691	INTAKE GRILLE		4	4	4	PK-EK PKL-EK				
4	R01 806 641	TOP PLATE		1	1	1	PK-EK PKL-EK				
5	R01 569 808	WALL FRAME		1	1	1	PK-EK PKL-EK				
6	R01 569 001	COVER (INTAKE GRILL)		1	1	1	PK-EK PKL-EK				
7	T7W 936 812	LOWER PLATE (REAR)		1	1	1	PK-EK PKL-EK				
8	R01 569 811	LOWER PLATE (FRONT)		1	1	1	PK-EK PKL-EK				
9	R01 566 500	AIR FILTER		4	4	4	PK-EK PKL-EK				
10	T7W A11 820	BADGE ASSEMBLY		1	1	1	PK-EK PKL-EK				
11	R01 574 676	SCROLL PLATE		1	1	1	PK-EK PKL-EK				