



Mr. SLIM

Air-Conditioners

PCA-A·GA

INSTALLATION MANUAL

For safe and correct use, read this manual and the outdoor unit installation manual thoroughly before installing the air-conditioner unit.

FOR INSTALLER

MANUAL DE INSTALACIÓN

Para un uso correcto y seguro, lea detalladamente este manual y el manual de instalación de la unidad exterior antes de instalar la unidad de aire acondicionado.

PARA EL INSTALADOR

English

Español

Contents

1. Safety precautions	2	5. Drainage piping work	6
2. Installation location	3	6. Electrical work	6
3. Installing the indoor unit	3	7. Test run	13
4. Installing the refrigerant piping	5	8. Easy maintenance function	16

1. Safety precautions

- ▶ Before installing the unit, make sure you read all the “Safety precautions”.
- ▶ Please report to your supply authority or obtain their consent before connecting this equipment to the power supply system.

⚠ Warning:
Describes precautions that must be observed to prevent danger of injury or death to the user.

⚠ Caution:
Describes precautions that must be observed to prevent damage to the unit.

- ⚠ Warning:**
- Ask a dealer or an authorized technician to install the unit.
 - For installation work, follow the instructions in the Installation Manual and use tools and pipe components specifically made for use with refrigerant specified in the outdoor unit installation manual.
 - The unit must be installed according to the instructions in order to minimize the risk of damage from earthquakes, typhoons, or strong winds. An incorrectly installed unit may fall down and cause damage or injuries.
 - The unit must be securely installed on a structure that can sustain its weight.
 - If the air conditioner is installed in a small room, measures must be taken to prevent the refrigerant concentration in the room from exceeding the safety limit in the event of refrigerant leakage. Should the refrigerant leak and cause the concentration limit to be exceeded, hazards due to lack of oxygen in the room may result.

1.1. Before installation (Environment)

- ⚠ Caution:**
- Do not use the unit in an unusual environment. If the air conditioner is installed in areas exposed to steam, volatile oil (including machine oil), or sulfuric gas, areas exposed to high salt content such as the seaside, the performance can be significantly reduced and the internal parts can be damaged.
 - Do not install the unit where combustible gases may leak, be produced, flow, or accumulate. If combustible gas accumulates around the unit, fire or explosion may result.
 - Do not keep food, plants, caged pets, artwork, or precision instruments in the direct airflow of the indoor unit or too close to the unit, as these items can be damaged by temperature changes or dripping water.

1.2. Before installation or relocation

- ⚠ Caution:**
- Be extremely careful when transporting the units. Two or more persons are needed to handle the unit, as it weighs 20 kg, 44 lbs or more. Do not grasp the packaging bands. Wear protective gloves as you can injure your hands on the fins or other parts.
 - Be sure to safely dispose of the packaging materials. Packaging materials, such as nails and other metal or wooden parts may cause stabs or other injuries.

1.3. Before electric work

- ⚠ Caution:**
- Be sure to install circuit breakers. If not installed, electric shock may result.
 - For the power lines, use standard cables of sufficient capacity. Otherwise, a short circuit, overheating, or fire may result.
 - When installing the power lines, do not apply tension to the cables.

1.4. Before starting the test run

- ⚠ Caution:**
- Turn on the main power switch more than 12 hours before starting operation. Starting operation just after turning on the power switch can severely damage the internal parts.
 - Before starting operation, check that all panels, guards and other protective parts are correctly installed. Rotating, hot, or high voltage parts can cause injuries.

After installation work has been completed, explain the “Safety Precautions,” use, and maintenance of the unit to the customer according to the information in the Operation Manual and perform the test run to ensure normal operation. Both the Installation Manual and Operation Manual must be given to the user for keeping. These manuals must be passed on to subsequent users.

⚡ : Indicates a part which must be grounded.

⚠ Warning:
Carefully read the labels affixed to the main unit.

- Ventilate the room if refrigerant leaks during operation. If refrigerant comes into contact with a flame, poisonous gases will be released.
- All electric work must be performed by a qualified technician according to local regulations and the instructions given in this manual.
- Use only specified cables for wiring.
- The terminal block cover panel of the unit must be firmly attached.
- Use only accessories authorized by Mitsubishi Electric and ask a dealer or an authorized technician to install them.
- The user should never attempt to repair the unit or transfer it to another location.
- After installation has been completed, check for refrigerant leaks. If refrigerant leaks into the room and comes into contact with the flame of a heater or portable cooking range, poisonous gases will be released.

- When the room humidity exceeds 80% or when the drainpipe is clogged, water may drip from the indoor unit. Do not install the indoor unit where such dripping can cause damage.
- When installing the unit in a hospital or communications office, be prepared for noise and electronic interference. Inverters, home appliances, high-frequency medical equipment, and radio communications equipment can cause the air conditioner to malfunction or breakdown. The air conditioner may also affect medical equipment, disturbing medical care, and communications equipment, harming the screen display quality.

- Thermal insulation of the refrigerant pipe is necessary to prevent condensation. If the refrigerant pipe is not properly insulated, condensation will be formed.
- Place thermal insulation on the pipes to prevent condensation. If the drainpipe is installed incorrectly, water leakage and damage to the ceiling, floor, furniture, or other possessions may result.
- Do not clean the air conditioner unit with water. Electric shock may result.
- Tighten all flare nuts to specification using a torque wrench. If tightened too much, the flare nut can break after an extended period.

- Be sure to ground the unit. If the unit is not properly grounded, electric shock may result.
- Use circuit breakers (ground fault interrupter, isolating switch (+B fuse), and molded case circuit breaker) with the specified capacity. If the circuit breaker capacity is larger than the specified capacity, breakdown or fire may result.

- Do not operate the air conditioner without the air filter set in place. If the air filter is not installed, dust may accumulate and breakdown may result.
- Do not touch any switch with wet hands. Electric shock may result.
- Do not touch the refrigerant pipes with bare hands during operation.
- After stopping operation, be sure to wait at least five minutes before turning off the main power switch. Otherwise, water leakage or breakdown may result.

2. Installation location

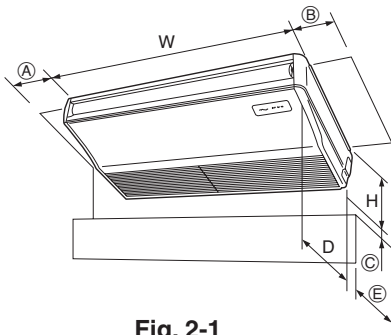


Fig. 2-1

3. Installing the indoor unit

⚠ Caution:

Install the indoor unit at least 2.4 m, 8 ft above floor or grade level.

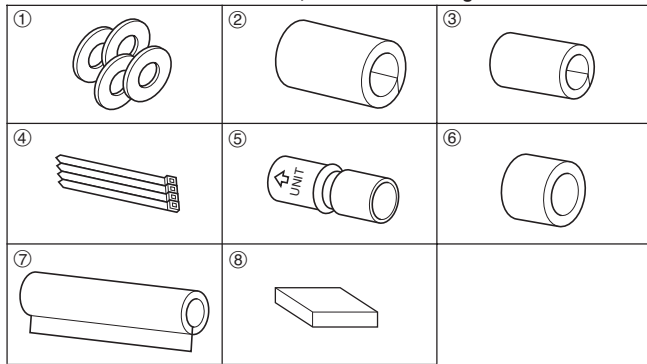


Fig. 3-1

(inch)

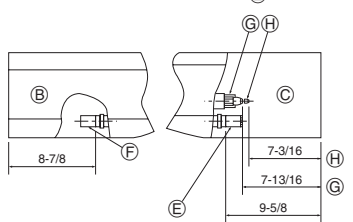
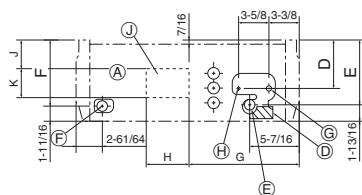
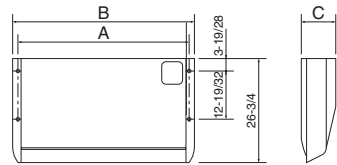


Fig. 3-2

(inch)

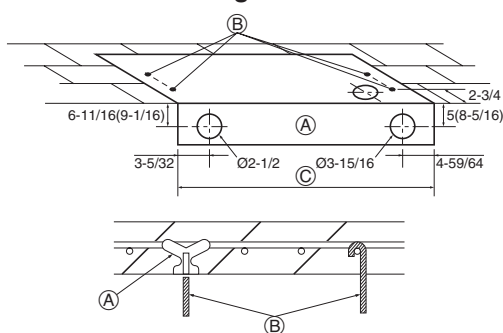


Fig. 3-3

2.1. Outline dimensions (Indoor unit) (Fig. 2-1)

Select a proper position allowing the following clearances for installation and maintenance.

Models	W	D	H	(mm)			
				(A)	(B)	(C)	(E)
A24, A30	1310	680	221	Min. 270	Min. 300	Min. 500	Max. 250
	51-9/16	26-7/32	8-9/32	Min. 10-5/8	Min. 11-13/16	Min. 19-11/16	Max. 9-13/16
A36, A42	1310	680	281	Min. 270	Min. 300	Min. 500	Max. 250
	51-9/16	26-7/32	10-5/8	Min. 10-5/8	Min. 11-13/16	Min. 19-11/16	Max. 9-13/16

2.2. Outline dimensions (Outdoor unit)

Refer to the outdoor unit installation manual.(mm)

3.1. Check the indoor unit accessories (Fig. 3-1)

The indoor unit should be supplied with the following accessories (contained in the inside of the intake grille).

	Accessory name	Q'ty
①	Washer	4 pcs
②	Pipe cover	1 pc Large size (For gas tubing)
③	Pipe cover	1 pc Small size (For liquid tubing)
④	Band	4 pcs
⑤	Joint socket	1 pc Marked with "UNIT"
⑥	Socket cover	1 pc
⑦	Drain tubing cover	1 pc
⑧	Wired remote controller	1 pc

3.2. Preparation for installation (Fig. 3-2)

3.2.1. Suspension bolt installing spacing

(mm, inch)

Models	A	B	C
A24, A30	1240, 48-13/16	1310, 51-9/16	221, 8-9/32
A36, A42	1240, 48-13/16	1310, 51-9/16	281, 10-5/8

3.2.2. Refrigerant and drain tubing location

(mm)

(inch)

Models	D	E	F
A24, A30	131	175	178
	5-5/32	6-7/8	7-3/32
A36, A42	191	235	238
	7-9/16	9-9/32	9-3/8

- A Front side outlet
- B Left side outlet
- C Right side outlet
- D Independent piece (Removable)
- E Right drain tubing
- F Left drain tubing
- G Gas tubing
- H Liquid tubing

3.2.3. Fresh air intake hole

At the time of installation, use the duct holes (knock out) located at the positions shown in following diagram, as and when required.

- ① Fresh air intake hole (knock out hole)

(mm, inch)

Models	G	H	J	K
A24, A30	300	100	57	54
	11-13/16	3-15/16	2-1/4	2-1/8
A36, A42	330	200	55	150
	13	7-7/8	2-3/16	5/7/8

3.2.4. Selection of suspension bolts and tubing positions (Fig. 3-3)

Using the pattern paper provided for installation, select proper positions for suspension bolts and tubing and prepare relative holes.

- A Pattern paper
- B Suspension bolt hole
- C Indoor unit width

Secure the suspension bolts or use angle stock braces or square timbers for bolt installation.

- A Use inserts of 100 kg to 150 kg, 220 to 230 lbs each.
- B Use suspension bolts of W3/8 or M10 in size

3. Installing the indoor unit

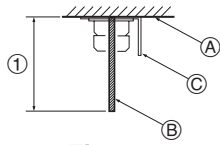


Fig. 3-4

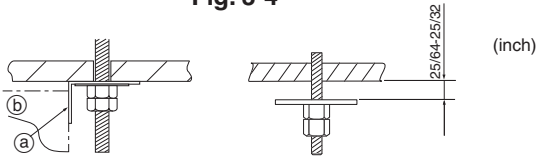


Fig. 3-5

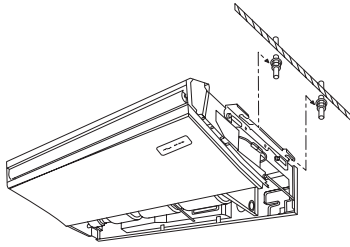


Fig. 3-6

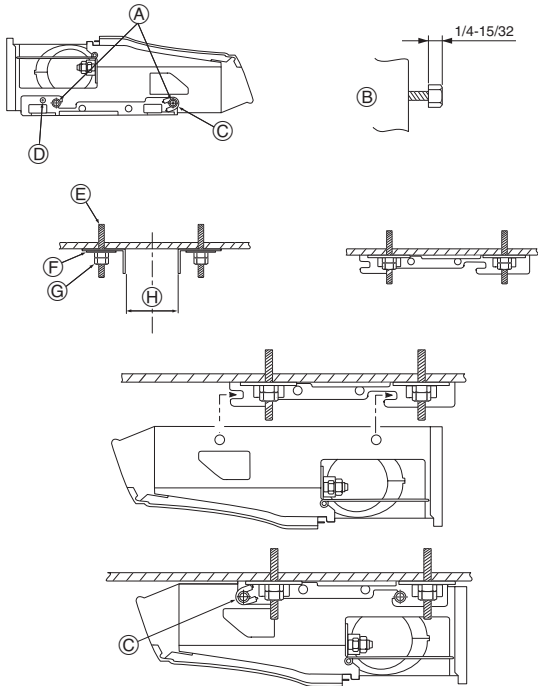


Fig. 3-7

3.2.5. Indoor unit preparation (Fig. 3-4)

1. Install the suspending bolts. (Procure the W3/8 or M10 bolts locally.)
Predetermine the length from the ceiling (①) within 100 mm, 3-59/64 inch).

- Ⓐ Ceiling surface
- Ⓑ Suspending bolt
- Ⓒ Suspending bracket

2. Remove the intake grille.

Slide the intake grille holding knobs (at two locations) backward to open the intake grille.

3. Remove the side panel.

Remove the side panel holding screws (one in each side, right and left) then slide the side panel forward for removal.

3.3. Installing the indoor unit

Use a proper suspending method depending on the presence or absence of ceiling materials as follows. (Fig. 3-5)

In the absence of ceiling materials

- Ⓐ Suspending bracket
- Ⓑ Unit

1) Directly suspending the unit (Fig. 3-6)

Installing procedures

1. Install the washer ① (supplied with the unit) and the nut (to be locally procured).
2. Set (hook) the unit through the suspending bolts.
3. Tighten the nuts.

Check the unit installing condition.

- Check that the unit is horizontal between the right and left sides.
- Check that the unit slopes continuously downward from the front to the rear.

When embedding pipes, into the wall

2) Installing the suspending bracket first onto the ceiling (Fig. 3-7)

Installing procedures

1. Remove the suspending brackets, U-shaped washers, and suspending bracket holding screws from the unit.
2. Adjust the suspending bracket holding bolts on the unit.
3. Attach the suspending brackets to the suspending bolts.
4. Set (hook) the unit to the suspending brackets.

* Be sure to install the U-shaped washers.

- Ⓐ Bolt
- Ⓑ Unit
- Ⓒ Washer
- Ⓓ Suspending bracket holding screw
- Ⓔ Bolt
- Ⓕ Washer ①
- Ⓖ Double nuts

		(mm, inch)	
Ⓕ	A24 - A42	1207 - 1212,	47-1/2 to 47-23/32

4. Installing the refrigerant piping

4.1. Precautions

4.1.1. For devices that use R410A refrigerant

- Use ester oil, ether oil, alkylbenzene oil (small amount) as the refrigeration oil applied to the flared sections.
- Use C1220 copper phosphorus, for copper and copper alloy seamless pipes, to connect the refrigerant pipes. Use refrigerant pipes with the thicknesses specified in the table to the below. Make sure the insides of the pipes are clean and do not contain any harmful contaminants such as sulfuric compounds, oxidants, debris, or dust.

⚠ Warning:

When installing or moving the air conditioner, use only the specified refrigerant (R410A) to charge the refrigerant lines. Do not mix it with any other refrigerant and do not allow air to remain in the lines. Air enclosed in the lines can cause pressure peaks resulting in a rupture and other hazards.

	A24, A30, A36, A42
Liquid pipe	ø9.52 mm, 3/8 inch thickness 0.8 mm, 1/32 inch
Gas pipe	ø15.88 mm, 5/8 inch thickness 1.0 mm, 3/64 inch

- Do not use pipes thinner than those specified above.

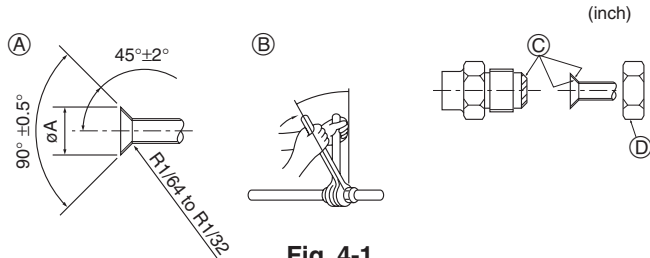


Fig. 4-1

(A) Flare cutting dimensions

Copper pipe O.D. (mm, inch)	Flare dimensions øA dimensions (mm, inch)
ø6.35, 1/4"	8.7 - 9.1, 11/32-23/64
ø9.52, 3/8"	12.8 - 13.2, 1/2-33/64
ø12.7, 1/2"	16.2 - 16.6, 41/64-21/32
ø15.88, 5/8"	19.3 - 19.7, 49/64-25/32

4.2. Connecting pipes (Fig. 4-1)

- When commercially available copper pipes are used, wrap liquid and gas pipes with commercially available insulation materials (heat-resistant to 100 °C, 212 °F or more, thickness of 12 mm 1/2 inch or more).
- The indoor parts of the drain pipe should be wrapped with polyethylene foam insulation materials (specific gravity of 0.03, thickness of 9 mm, 23/64 inch or more).
- Apply thin layer of refrigerant oil to pipe and joint seating surface before tightening flare nut.
- Use two wrenches to tighten piping connections.
- Use refrigerant piping insulation provided to insulate indoor unit connections. Insulate carefully.

(B) Flare nut tightening torque

Copper pipe O.D. (mm, inch)	Flare nut O.D. (mm, inch)	Tightening torque (N-m, ft-lbs)
ø6.35, 1/4"	17, 43/64	14 - 18, 10-13
ø9.52, 3/8"	22, 7/8	34 - 42, 25-30
ø12.7, 1/2"	26, 1-3/64	49 - 61, 35-44
ø15.88, 5/8"	29, 1-9/64	68 - 82, 49-59

(C) Apply refrigerating machine oil over the entire flare seat surface.

(D) Use correct flare nuts meeting the pipe size of the outdoor unit.

Available pipe size

	A24, A30, A36, A42
Liquid side	— ø9.52
Gas side	— ø15.88

○ : Factory flare nut attachment to the heat-exchanger.

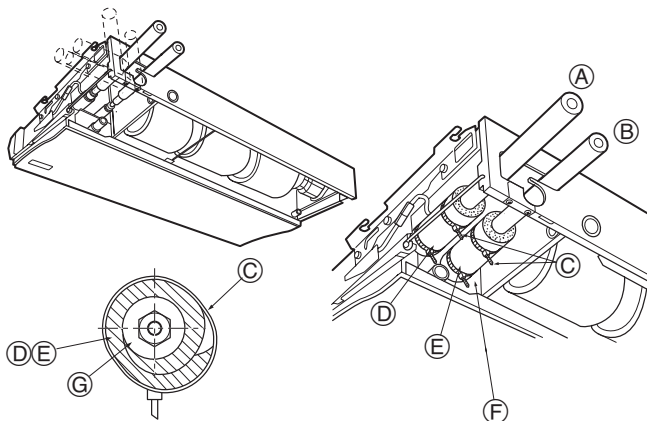


Fig. 4-2

4.3. Insulating pipes (Fig. 4-2)

1. Slide the supplied pipe cover (2) over the gas tubing until it is pressed against the sheet metal inside the unit.
 2. Slide the provided pipe cover (3) over the liquid tubing until it is pressed against the sheet metal inside the unit.
 3. Tighten the pipe covers (2) and (3) at the both ends (15 - 20 mm, 5/8-3/4 inch) with the supplied bands (4).
- (A) Gas tubing
(B) Liquid tubing
(C) Band (4)
(D) Pipe cover (2)
(E) Pipe cover (3)
(F) Press the pipe cover against the sheet metal.
(G) Refrigerant tubing heat insulating material

5. Drainage piping work

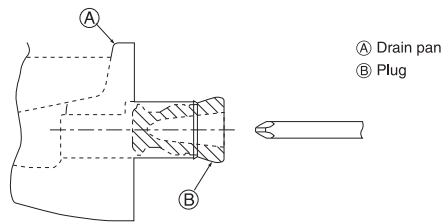


Fig. 5-1

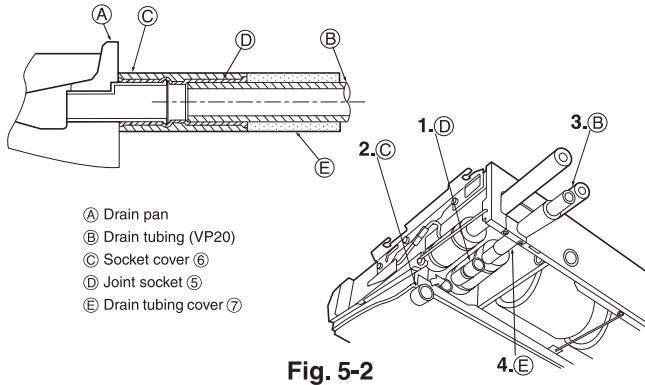


Fig. 5-2

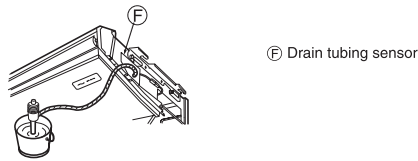


Fig. 5-3

5.1. Preparation for left side tubing installation (Fig. 5-1)

- For left side tubing, be sure to insert the rubber plug into the right drain port.
- Install the drain tubing as it slopes continuously downward.
- After completion of work, check that correct drain is available from the outflow port of the drain tubing.

5.2. Installing procedures (Fig. 5-2)

1. Attach the joint socket ⑤ supplied with the unit to the drain port on the unit with a vinyl chloride adhesive.
2. Fasten the socket cover ⑥ supplied with the unit to the joint socket ⑤.
3. Attach a PVC pipe (O.D. ø26 mm, 1-1/32 inch) to the joint socket ⑤ with a vinyl chloride adhesive.
4. Wrap the drain tubing cover ⑦ supplied with the unit. (Seam taping)

5.3. Drain check (Fig. 5-3)

1. Fill the drain pan with water of about 1 L, 1/4 gal from the tubing sensor access port.
2. Check the drainage.
3. After checking for correct drainage, replace the tubing sensor access port cover.

6. Electrical work

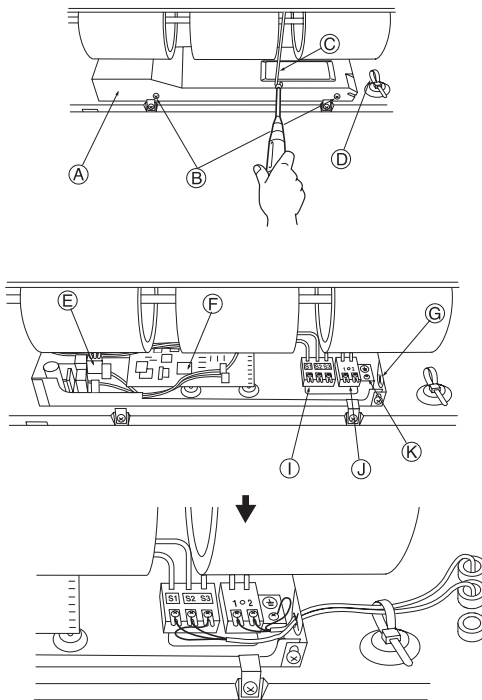


Fig. 6-1

6.1. Electric wiring (Fig. 6-1)

Wiring procedures

1. Remove the (two) tapping screws then remove the electric part cover.
2. Connect the electric wires securely to the corresponding terminals.
3. Replace the removed parts.
4. Tie the electric wires with the local wiring clamp located in the right side of the junction box.
 - Ⓐ Cover
 - Ⓑ Set screws
 - Ⓒ Beam
 - Ⓓ Wiring clamp
 - Ⓔ Power supply board
 - Ⓕ Control board
 - Ⓖ Wire service entrance
 - Ⓘ Terminal block for indoor and outdoor units connection
 - Ⓝ Terminal block for remote controller
 - Ⓚ Grounding cable connector

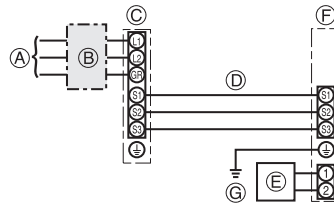
6. Electrical work

6.1.1. Indoor unit power supplied from outdoor unit (A-control application)

The following connection patterns are available.

The outdoor unit power supply patterns vary on models.

1:1 System



- Ⓐ Outdoor unit power supply
- Ⓑ Wiring circuit breaker or isolating switch
- Ⓒ Outdoor unit
- Ⓓ Indoor unit/outdoor unit connecting cords
- Ⓔ Remote controller
- Ⓕ Indoor unit
- Ⓖ Indoor unit earth

* Affix a label A that is included with the manuals near each wiring diagram for the indoor and outdoor units.

Indoor unit model		PCA
Minimum circuit ampacity		1A
Maximum rating of overcurrent protective device		15A
Wiring Wire No. × size	Indoor unit-Outdoor unit	*1 3 × AWG16 (polar)
	Indoor unit earth	1 × Min. AWG16
	Remote controller-Indoor unit	*2 2 × AWG22 (Non-polar)
Circuit rating	Indoor unit-Outdoor unit S1-S2	*3 AC 208/230 V
	Indoor unit-Outdoor unit S2-S3	*3 DC24 V
	Remote controller-Indoor unit	*3 DC12 V

*1. Max. 50 m, 165 ft

*2. The 10 m, 30 ft wire is attached in the remote controller accessory. Max. 500 m, 1500 ft

*3. The figures are NOT always against the ground.

S3 terminal has DC 24 V against S2 terminal. However between S3 and S1, these terminals are not electrically insulated by the transformer or other device.

- Notes:**
1. Wiring size must comply with the applicable local and national code.
 2. Use copper supply wires.
 3. Use wires rated 300V or more for the power supply cables and the indoor unit/outdoor unit connecting cables.
 4. Install an earth longer than other cables.

6. Electrical work

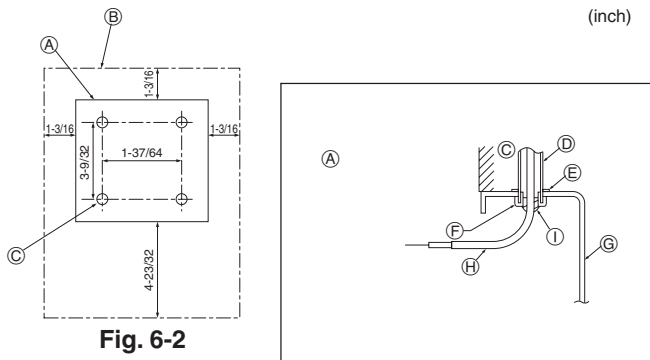


Fig. 6-2

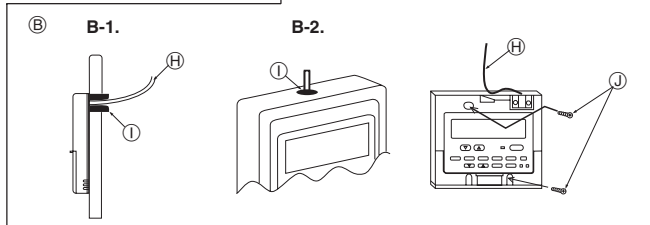


Fig. 6-3

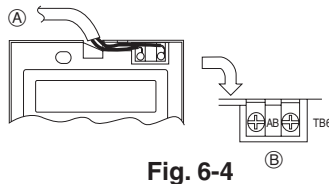


Fig. 6-4

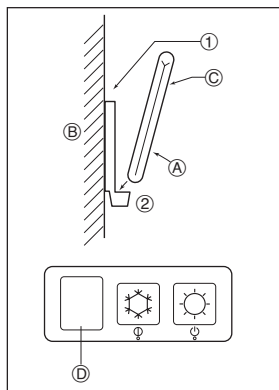


Fig. 6-5

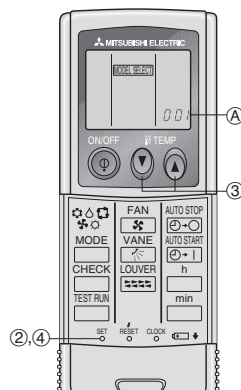


Fig. 6-6

Indoor	Outdoor	(A) Model No.
PLA, PCA, PKA (A12, A18)	heat pump models	001
	cooling only models	033
PKA (A24, A30, A36)	heat pump models	003
	cooling only models	035

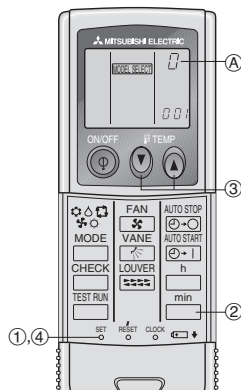


Fig. 6-7

6.2. Remote controller

6.2.1. For wired remote controller

1) Installing procedures

(1) Select an installing position for the remote controller. (Fig. 6-2)

The temperature sensors are located on both remote controller and indoor unit.

► Procure the following parts locally:

- Two piece switch box
- Thin copper conduit tube
- Lock nuts and bushings
- (A) Remote controller profile
- (B) Required clearances surrounding the remote controller
- (C) Installation pitch

(2) Seal the service entrance for the remote controller cord with putty to prevent possible invasion of dew drops, water, cockroaches or worms. (Fig. 6-3)

(A) For installation in the switch box:

(B) For direct installation on the wall select one of the following:

- Prepare a hole through the wall to pass the remote controller cord (in order to run the remote controller cord from the back), then seal the hole with putty.
- Run the remote controller cord through the cut-out upper case, then seal the cut-out notch with putty similarly as above.

B-1. To lead the remote controller cord from the back of the controller:

B-2. To run the remote controller cord through the upper portion:

(3) For direct installation on the wall

- (C) Wall
- (D) Conduit
- (E) Lock nut
- (F) Bushing
- (G) Switch box
- (H) Remote controller cord
- (I) Seal with putty
- (J) Wood screw

2) Connecting procedures (Fig. 6-4)

(1) Connect the remote controller cord to the terminal block.

- (A) To TB5 on the indoor unit
- (B) TB6 (No polarity)

3) Two remote controllers setting.

If two remote controllers are connected, set one to "Main" and the other to "Sub". For setting procedures, refer to "Function selection of remote controller" in the operation manual for the indoor unit.

6.2.2. For wireless remote controller

1) Installation area

- Area in which the remote controller is not exposed to direct sunshine.
- Area in which there is no nearby heating source.
- Area in which the remote controller is not exposed to cold (or hot) winds.
- Area in which the remote controller can be operated easily.
- Area in which the remote controller is beyond the reach of children.

2) Installation method (Fig. 6-5)

- (1) Attach the remote controller holder to the desired location using two tapping screws.
- (2) Place the lower end of the controller into the holder.

- (A) Remote controller
- (B) Wall
- (C) Display panel
- (D) Receiver

- The signal can travel up to approximately 7 meters, 23 ft (in a straight line) within 45 degrees to both right and left of the center line of the receiver.

3) Setting (Fig. 6-6)

- (1) Insert batteries.
- (2) Press the SET button with something sharp at the end. **MODEL SELECT** blinks and Model No. is lighted.
- (3) Press the temp (▲) (▼) button to set the Model No.
- (4) Press the SET button with something sharp at the end. **MODEL SELECT** and Model No. are lighted for three seconds, then turned off.

4) Assigning a remote controller to each unit (Fig. 6-7)

Each unit can be operated only by the assigned remote controller. Make sure each pair of an indoor unit PC board and a remote controller is assigned to the same pair No.

5) Wireless remote controller pair number setting operation

- (1) Press the SET button with something sharp at the end. Start this operation from the status of remote controller display turned off. **MODEL SELECT** blinks and Model No. is lighted.
- (2) Press the **min** button twice continuously. Pair No. "0" blinks.
- (3) Press the temp (▲) (▼) button to set the pair number you want to set.
- (4) Press the SET button with something sharp at the end. Set pair number is lighted for three seconds then turned off.

(A) Pair No. of wireless remote controller	Indoor PC board
0	Factory setting
1	Cut J41
2	Cut J42
3-9	Cut J41, J42

6. Electrical work

Select unit numbers 01 to 03 or all units (AL [wired remote controller]/07 [wireless remote controller])

Mode	Settings	Mode no.	Setting no.	Initial setting	Setting
Filter sign	100 Hr	07	1		
	2500 Hr		2	○	
	No filter sign indicator		3		
Fan speed	Standard (PLA)/Silent (PCA)	08	1		
	High ceiling ① (PLA)/Standard (PCA)		2	○	
	High ceiling ② (PLA)/High ceiling (PCA)		3		
No. of air outlets	4 directions	09	1	—	
	3 directions		2	—	
	2 directions		3	—	
Installed options (high-performance filter)	Not supported	10	1	○	
	Supported		2		
Up/down vane setting	No vanes	11	1		
	Equipped with vanes (vanes angle setup ①)		2	○	
	Equipped with vanes (vanes angle setup ②)		3		
Energy saving air flow (Heating mode)	Disabled	12	1	○	
	Enabled		2		

*1 When the power supply returns, the air conditioner will start 3 minutes later.

7. Test run

7.1. Before test run

- ▶ After completing installation and the wiring and piping of the indoor and outdoor units, check for refrigerant leakage, looseness in the power supply or control wiring, wrong polarity, and no disconnection of one phase in the supply.
- ▶ Use a 500-volt megohmmeter to check that the resistance between the power supply terminals and ground is at least 1.0 MΩ.

- ▶ Do not carry out this test on the control wiring (low voltage circuit) terminals.

⚠ Warning:

Do not use the air conditioner if the insulation resistance is less than 1.0 MΩ.
Insulation resistance

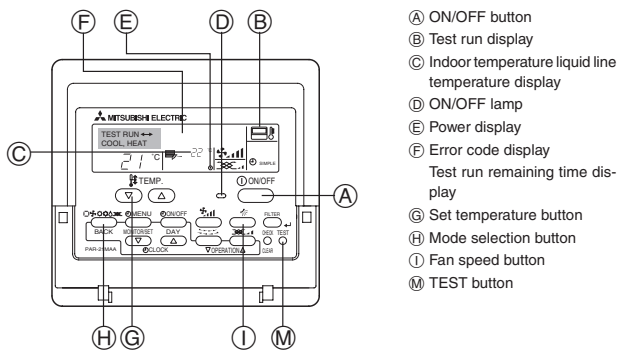


Fig. 7-1

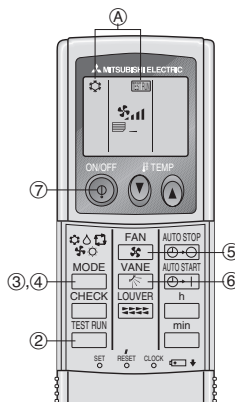


Fig. 7-2

7.2. Test run

The following 3 methods are available.

7.2.1. Using wired remote controller (Fig. 7-1)

- Turn on the power at least 12 hours before the test run.
- Press the [TEST] button twice. ⇒ "TEST RUN" liquid crystal display
- Press the [Mode selection] button. ⇒ Make sure that wind is blown out.
- Press the [Mode selection] button and switch to the cooling (or heating) mode. ⇒ Make sure that cold (or warm) wind is blown out.
- Press the [Fan speed] button. ⇒ Make sure that the wind speed is switched.
- Check operation of the outdoor unit fan.
- Release test run by pressing the [ON/OFF] button. ⇒ Stop
- Register a telephone number.

The telephone number of the repair shop, sales office, etc., to contact if an error occurs can be registered in the remote controller. The telephone number will be displayed when an error occurs. For registration procedures, refer to the operation manual for the indoor unit.

7.2.2. Using wireless remote controller (Fig. 7-2)

- Turn on the power to the unit at least 12 hours before the test run.
- Press the **TEST RUN** button twice continuously.
(Start this operation from the status of remote controller display turned off.)
A **TEST RUN** and current operation mode are displayed.
- Press the **MODE** button to activate **COOL** mode, then check whether cool air is blown out from the unit.
- Press the **MODE** button to activate **HEAT** mode, then check whether warm air is blown out from the unit.
- Press the **FAN** button and check whether fan speed changes.
- Press the **VANE** button and check whether the auto vane operates properly.
- Press the ON/OFF button to stop the test run.

Note:

- Point the remote controller towards the indoor unit receiver while following steps ② to ⑦.
- It is not possible to run the in FAN, DRY or AUTO mode.

7.2.3. Using SW4 in outdoor unit

Refer to the outdoor unit installation manual.

7. Test run

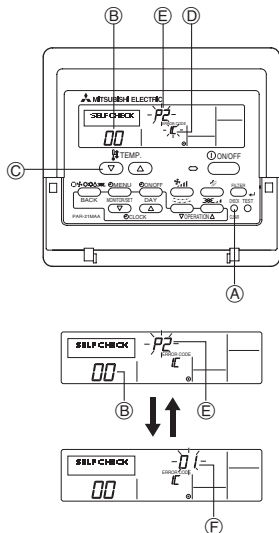


Fig. 7-3

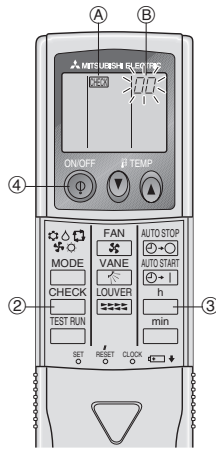


Fig. 7-4

7.3. Self-check

7.3.1. Wired remote controller (Fig. 7-3)

- ① Turn on the power.
- ② Press the [CHECK] button twice.
- ③ Set refrigerant address with [TEMP] button if system control is used.
- ④ Press the [ON/OFF] button to stop the self-check.

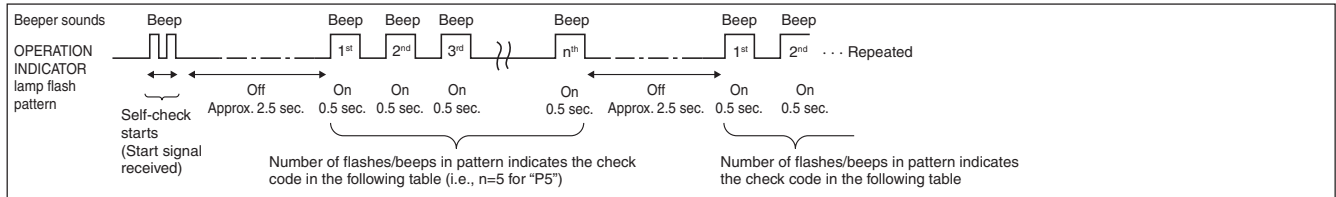
- A CHECK button
- B Refrigerant address
- C TEMP button
- D IC: Indoor unit
OC: Outdoor unit
- E Check code
- F Unit address

7.3.2. Wireless remote controller (Fig. 7-4)

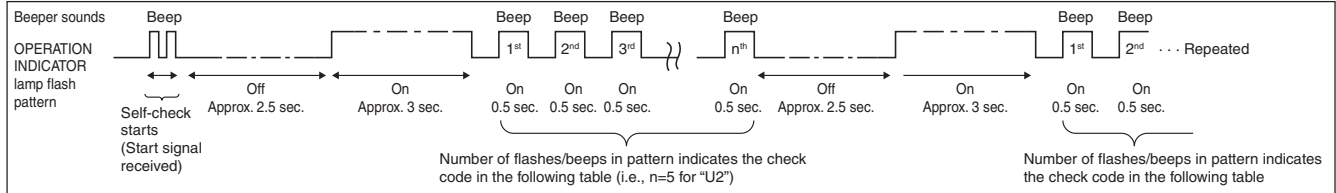
- ① Turn on the power.
- ② Press the button twice.
(Start this operation from the status of remote controller display turned off.)
- A begins to light.
- B "00" begins to blink.
- ③ While pointing the remote controller toward the unit's receiver, press the button. The check code will be indicated by the number of times that the buzzer sounds from the receiver section and the number of blinks of the operation lamp.
- ④ Press the ON/OFF button to stop the self-check.

- Refer to the following tables for details on the check codes.

[Output pattern A]



[Output pattern B]



[Output pattern A] Errors detected by indoor unit

Wireless remote controller Beeper sounds/OPERATION INDICATOR lamp flashes (Number of times)	Wired remote controller Check code	Symptom	Remark
1	P1	Intake sensor error	
2	P2, P9	Pipe (Liquid or 2-phase pipe) sensor error	
3	E6, E7	Indoor/outdoor unit communication error	
4	P4	Drain sensor error	
5	P5	Drain pump error	
6	P6	Freezing/Overheating safeguard operation	
7	EE	Communication error between indoor and outdoor units	
8	P8	Pipe temperature error	
9	E4	Remote controller signal receiving error	
10	-	-	
11	-	-	
12	Fb	Indoor unit control system error (memory error, etc.)	
No sound	----	No corresponding	

7. Test run

[Output pattern B] Errors detected by unit other than indoor unit (outdoor unit, etc.)

Wireless remote controller	Wired remote controller	Symptom	Remark
Beeper sounds/OPERATION INDICATOR lamp flashes (Number of times)	Check code		
1	E9	Indoor/outdoor unit communication error (Transmitting error) (Outdoor unit)	For details, check the LED display of the outdoor controller board.
2	UP	Compressor overcurrent interruption	
3	U3, U4	Open/short of outdoor unit thermistors	
4	UF	Compressor overcurrent interruption (When compressor locked)	
5	U2	Abnormal high discharging temperature/49C worked/insufficient refrigerant	
6	U1, Ud	Abnormal high pressure (63H worked)/Overheating safeguard operation	
7	U5	Abnormal temperature of heat sink	
8	U8	Outdoor unit fan safeguard stop	
9	U6	Compressor overcurrent interruption/Abnormal of power module	
10	U7	Abnormality of super heat due to low discharge temperature	
11	U9, UH	Abnormality such as overvoltage or voltage shortage and abnormal synchronous signal to main circuit/Current sensor error	
12	–	–	
13	–	–	
14	Others	Other errors (Refer to the technical manual for the outdoor unit.)	

*1 If the beeper does not sound again after the initial two beeps to confirm the self-check start signal was received and the OPERATION INDICATOR lamp does not come on, there are no error records.

*2 If the beeper sounds three times continuously “beep, beep, beep (0.4 + 0.4 + 0.4 sec.)” after the initial two beeps to confirm the self-check start signal was received, the specified refrigerant address is incorrect.

- On wireless remote controller

The continuous buzzer sounds from receiving section of indoor unit.

Blink of operation lamp

- On wired remote controller

Check code displayed in the LCD.

- If the unit cannot be operated properly after the above test run has been performed, refer to the following table to remove the cause.

Symptom		Cause
Wireless remote controller	Wired remote controller	
PLEASE WAIT	For about 2 minutes following power-on	After LED 1, 2 are lighted, LED 2 is turned off, then only LED 1 is lighted. (Correct operation) <ul style="list-style-type: none"> • For about 2 minutes following power-on, operation of the remote controller is not possible due to system start-up. (Correct operation)
PLEASE WAIT → Error code	After about 2 minutes has expired following power-on	Only LED 1 is lighted. → LED 1, 2 blink. <ul style="list-style-type: none"> • Connector for the outdoor unit's protection device is not connected. • Reverse or open phase wiring for the outdoor unit's power terminal block (L1, L2, GR)
Display messages do not appear even when operation switch is turned ON (operation lamp does not light up).		Only LED 1 is lighted. → LED 1 blinks twice, LED 2 blinks once. <ul style="list-style-type: none"> • Incorrect wiring between indoor and outdoor units (incorrect polarity of S1, S2, S3) • Remote controller wire short

On the wireless remote controller with condition above, following phenomena takes place.

- No signals from the remote controller are accepted.
- OPE lamp is blinking.
- The buzzer makes a short piping sound.

Note:

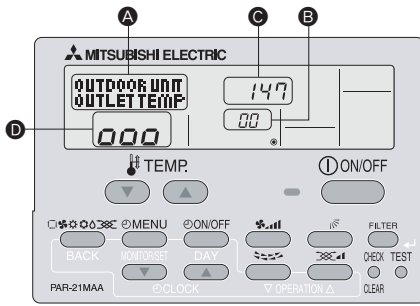
Operation is not possible for about 30 seconds after cancellation of function selection. (Correct operation)

For description of each LED (LED1, 2, 3) provided on the indoor controller, refer to the following table.

LED 1 (power for microcomputer)	Indicates whether control power is supplied. Make sure that this LED is always lit.
LED 2 (power for remote controller)	Indicates whether power is supplied to the remote controller. This LED lights only in the case of the indoor unit which is connected to the outdoor unit refrigerant address “0”.
LED 3 (communication between indoor and outdoor units only A-control)	Indicates state of communication between the indoor and outdoor units. Make sure that this LED is always blinking.

8. Easy maintenance function [This function only for A-control]

Display example (Comp discharge temperature 147°F)



By using the maintenance mode, you can display many types of maintenance data on the remote controller such as the heat exchanger temperature and compressor current consumption for the indoor and outdoor units.

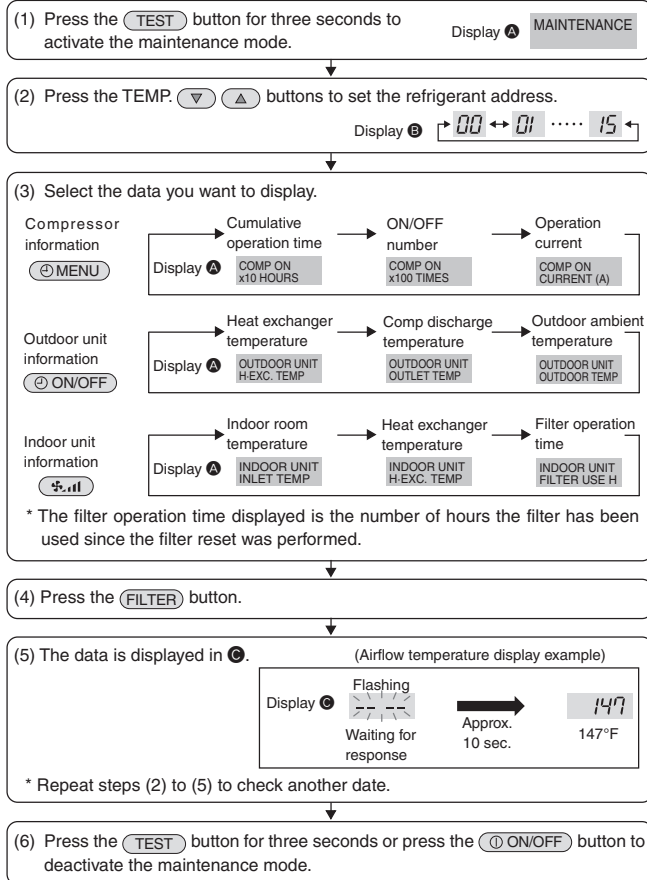
This function can be used whether the air conditioner is operating or not.

During air conditioner operation, data can be checked during either normal operation or maintenance mode stable operation.

* This function cannot be used during the test run.

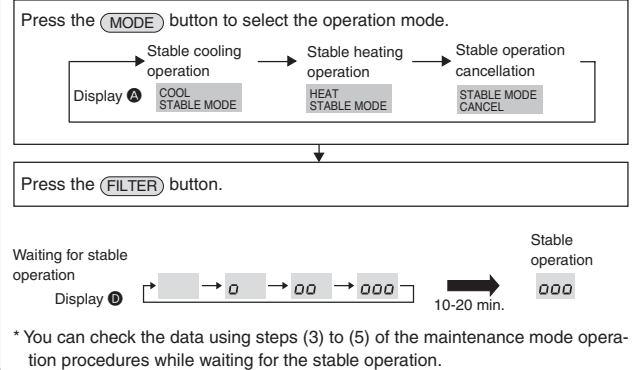
* The availability of this function depends on the connecting outdoor unit. Refer to the brochures.

Maintenance mode operation procedures



Stable operation

Using the maintenance mode, the operation frequency can be fixed and the operation can be stabilized. If the air conditioner is stopped, use the following procedure to start this operation.



This product is designed and intended for use in the residential,
commercial and light-industrial environment.

Please be sure to put the contact address/telephone number on
this manual before handing it to the customer.