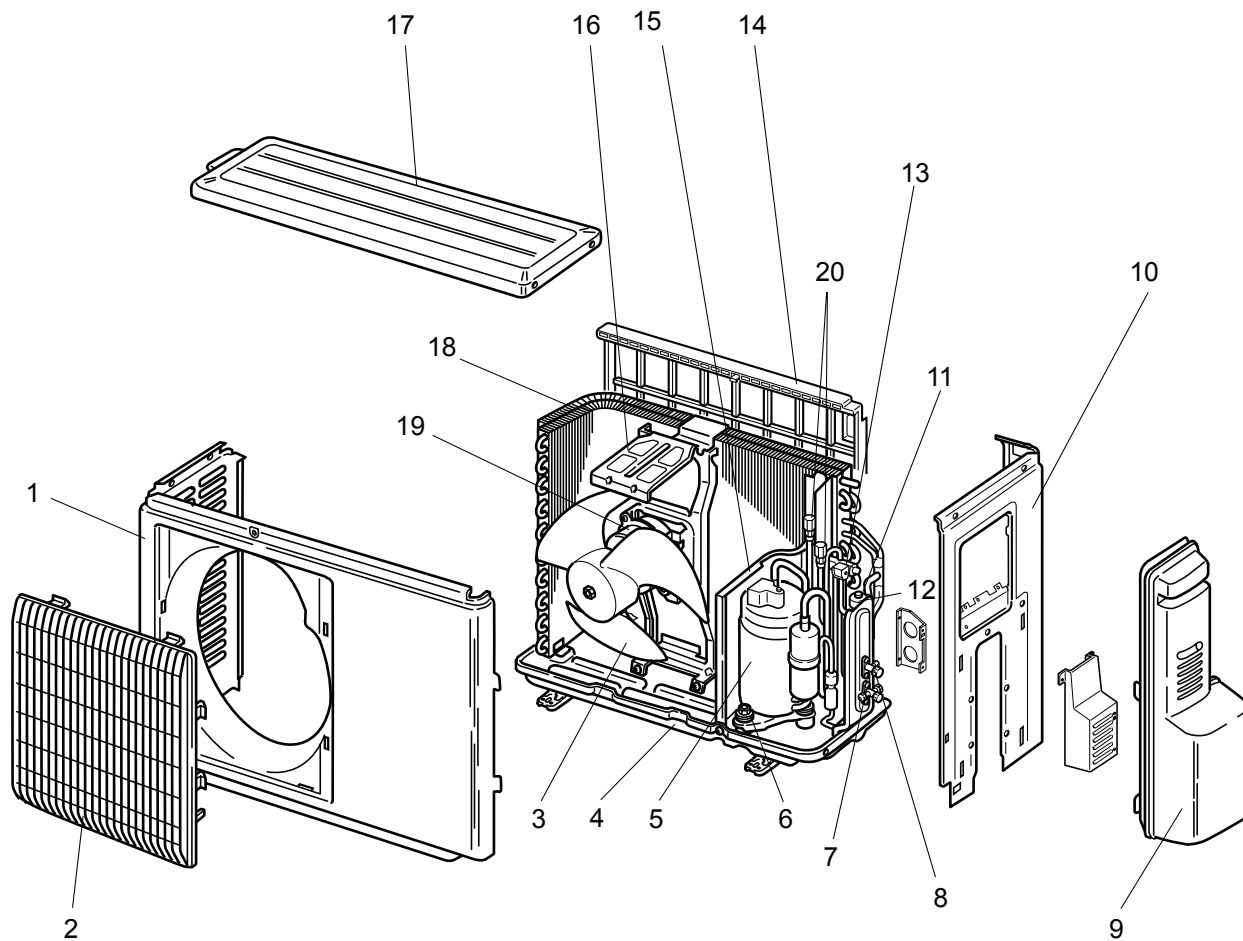


12-1. PARTS LIST (non-RoHS compliant)

MUZ-A09NA MUZ-A12NA MUZ-A15NA MUZ-A17NA MUY-A15NA MUY-A17NA

1. OUTDOOR UNIT STRUCTURAL PARTS AND FUNCTIONAL PARTS

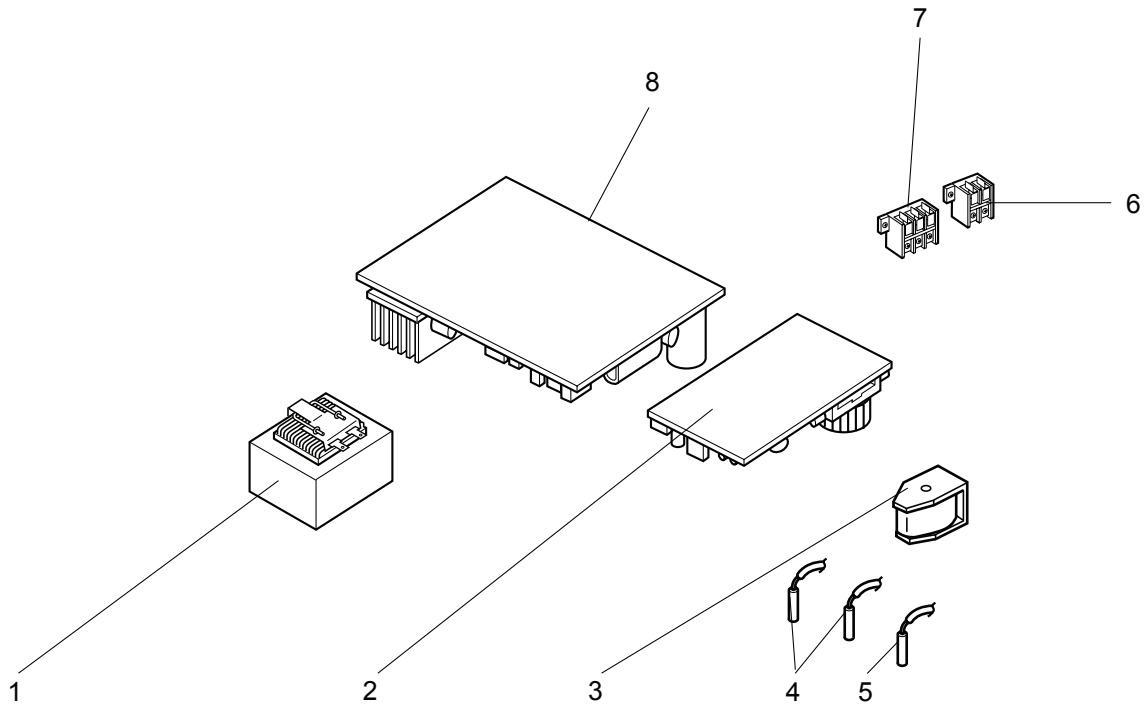


# 1. OUTDOOR UNIT STRUCTURAL PARTS AND FUNCTIONAL PARTS

Part numbers that are circled are not shown in the illustration.

No.	Part No.	Part name	Symbol in Wiring Diagram	Q'ty/unit						Remarks
				MUZ-				MUY-		
				A09NA	A12NA	A15NA	A17NA	A15NA	A17NA	
1	E02 927 232	CABINET		1	1	1	1	1	1	
2	E02 927 521	GRILLE		1	1	1	1	1	1	
3	E02 927 501	PROPELLER		1	1	1	1	1	1	
4	E02 927 290	BASE		1	1	1	1	1	1	
5	E02 A54 900	COMPRESSOR	MC	1	1					KNB092FPAH SNB130FPDH
	E02 A56 900					1	1	1	1	
6	E02 065 506	COMPRESSOR RUBBER SET		3	3	3	3	3	3	3 RUBBERS/SET
7	E02 A54 661	STOP VALVE (GAS)		1	1					
	E02 A56 661					1	1	1	1	
8	E02 927 662	STOP VALVE (LIQUID)		1	1	1	1	1	1	
9	E02 A49 245	SERVICE PANEL		1	1	1	1	1	1	
10	E02 A54 233	BACK PANEL		1	1	1	1	1	1	
11	E02 A54 640	EXPANSION VALVE		1	1	1	1	1	1	
12	E02 927 493	EXPANSION VALVE COIL	LEV	1	1	1	1	1	1	
13	E02 A56 961	4-WAY VALVE				1	1	1	1	
	E02 A54 961			1	1					
14	E02 929 523	CONDENSER NET		1	1	1	1	1	1	
15	E02 A54 293	SEPARATOR		1	1	1	1	1	1	
16	E02 929 515	MOTOR SUPPORT		1	1	1	1	1	1	
17	E02 927 297	TOP PANEL		1	1	1	1	1	1	
18	E02 A54 630	OUTDOOR HEAT EXCHANGER		1	1					
	E02 A56 630					1	1			
	E02 A51 630							1	1	
19	E02 A54 301	OUTDOOR FAN MOTOR	MF	1	1	1	1	1	1	RC0J50-□□
20	E02 A49 641	SERVICE PORT		2	2	2	2	2	2	1 PC/SET
21	E02 735 936	CAPILLARY TUBE		2	2	2	2	2	2	O.D. 0.118 × I.D. 0.071 × 23-5/8

MUZ-A09NA MUZ-A12NA MUZ-A15NA MUZ-A17NA MUY-A15NA MUY-A17NA  
2. OUTDOOR UNIT ELECTRICAL PARTS

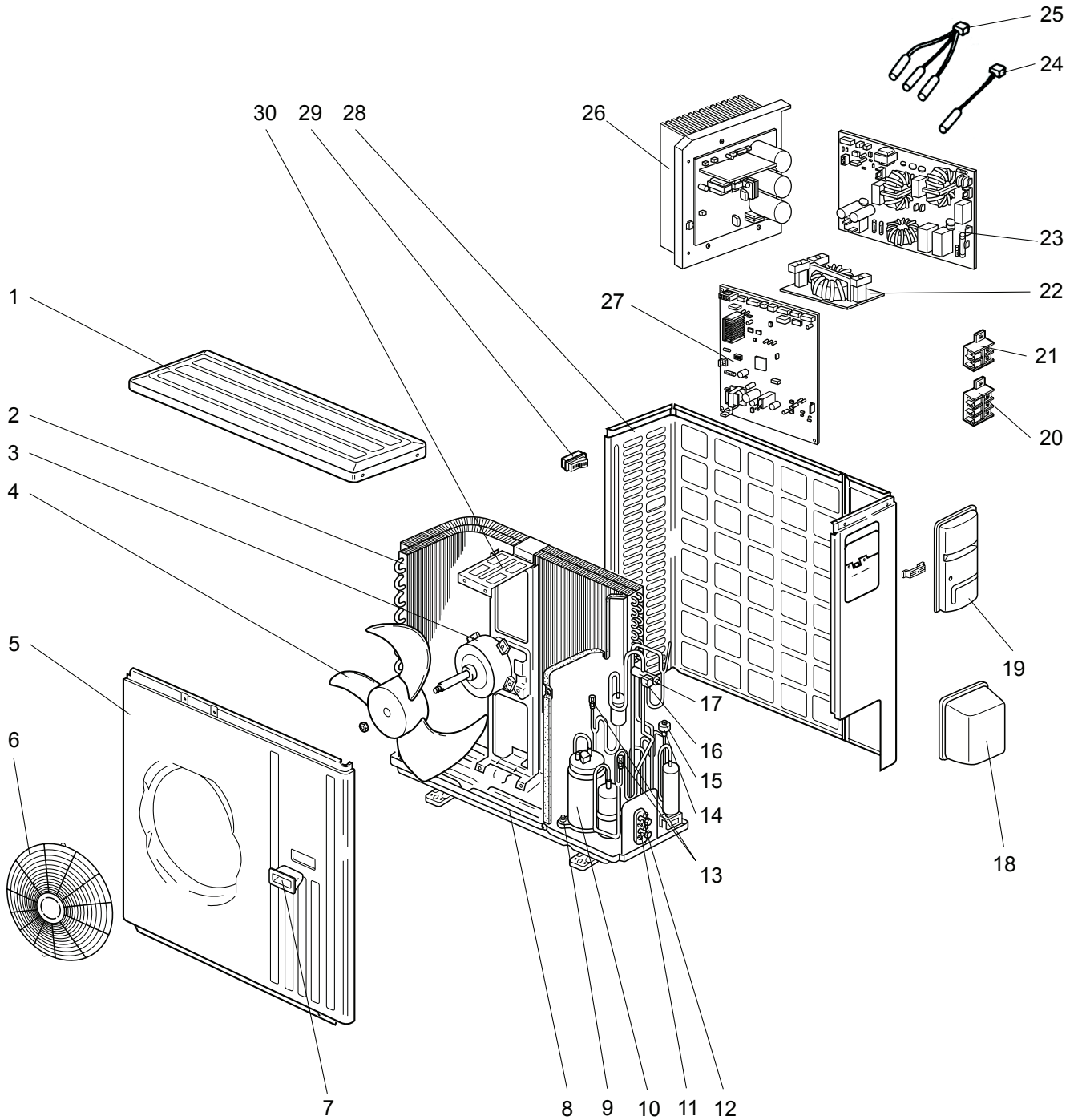


## 2. OUTDOOR UNIT ELECTRICAL PARTS

No.	Part No.	Part name	Symbol in Wiring Diagram	Q'ty/unit						Remarks
				MUZ-				MUY-		
				A09NA	A12NA	A15NA	A17NA	A15NA	A17NA	
1	E02 838 337	REACTOR	L61	1	1	1	1	1	1	
2	E02 A54 444	POWER P.C. BOARD		1	1	1	1	1	1	
3	E02 A54 490	R.V. COIL	21S4	1	1	1	1			
4	E02 927 306	THERMISTOR SET	RT61,RT62	1	1	1	1	1	1	DEFROST, DISCHARGE
5	E02 927 308	AMBIENT TEMPERATURE THERMISTOR	RT65	1	1	1	1	1	1	
6	E02 A54 374	TERMINAL BLOCK	TB1	1	1	1	1	1	1	2 P
7	E02 A55 374	TERMINAL BLOCK	TB2	1	1	1	1	1	1	3 P
8	E02 A54 451	INVERTER P.C. BOARD		1						Including heat sink and RT64
				1						
					1		1			
						1		1		

**MUZ-A24NA MUY-A24NA**

**3. OUTDOOR UNIT STRUCTURAL PARTS, ELECTRICAL PARTS AND FUNCTIONAL PARTS**



### 3. OUTDOOR UNIT STRUCTURAL PARTS, ELECTRICAL PARTS AND FUNCTIONAL PARTS

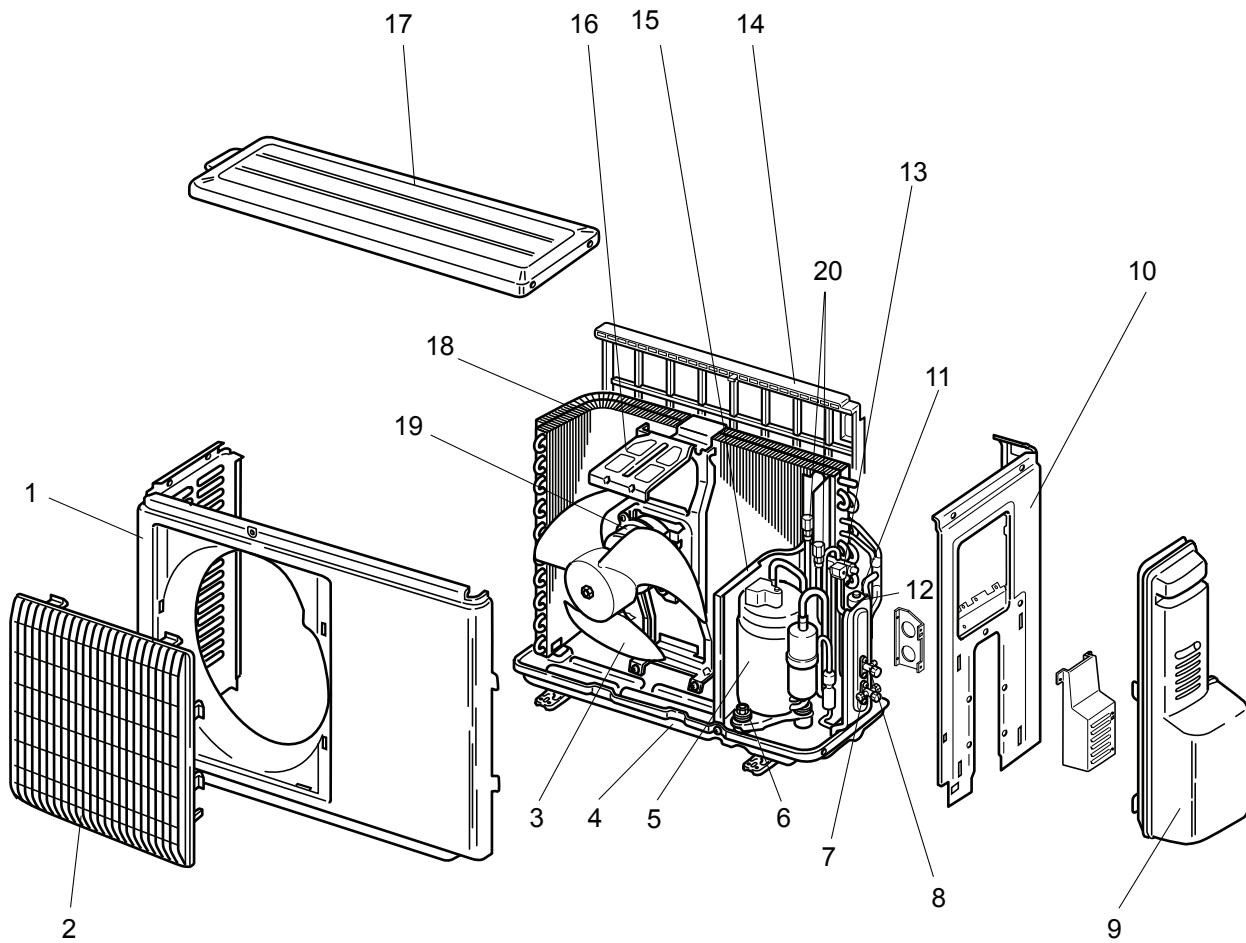
Part numbers that are circled are not shown in the illustration.

No.	Part No.	Part name	Symbol in Wiring Diagram	Q'ty/unit		Remarks
				MUZ-A24NA	MUY-A24NA	
1	E02 819 297	TOP PANEL		1	1	
2	E02 A53 630	OUTDOOR HEAT EXCHANGER			1	
	E02 A58 630			1		
3	E02 A58 301	OUTDOOR FAN MOTOR	MF	1	1	RC0J60-□□
4	E02 851 501	PROPELLER		1	1	
5	E02 819 232	CABINET		1	1	
6	E02 819 521	FAN GUARD		1	1	
7	E02 819 009	HANDLE		1	1	
8	E02 851 290	BASE		1	1	
9	E02 065 506	COMPRESSOR RUBBER SET		3	3	3 RUBBERS/SET
10	E02 A56 900	COMPRESSOR	MC	1	1	SNB130FPDH
11	E02 A58 661	STOP VALVE (GAS)		1	1	ø5/8
12	E02 821 662	STOP VALVE (LIQUID)		1	1	ø1/4
13	E02 A49 641	SERVICE PORT		2	2	1 PC/SET
14	E02 851 493	EXPANSION VALVE COIL	LEV	1	1	
15	E02 851 640	EXPANSION VALVE		1	1	
16	E02 A58 490	R.V. COIL	21S4	1		
17	E02 A56 961	4-WAY VALVE		1	1	
18	E02 819 650	VALVE COVER		1	1	
19	E02 819 245	SERVICE PANEL		1	1	
20	E02 935 374	TERMINAL BLOCK	TB2	1	1	3 P
21	E02 A53 374	TERMINAL BLOCK	TB1	1	1	2 P
22	E02 851 337	REACTOR	L	1	1	
23	E02 A58 444	NOISE FILTER P.C. BOARD		1		
	E02 A53 444				1	
24	E02 935 309	AMBIENT TEMPERATURE THERMISTOR	RT65	1	1	
25	E02 851 308	THERMISTOR SET	RT61,RT62,RT68	1		DEFROST, DISCHARGE OUTDOOR HEAT EXCHANGER
	E02 A53 308		RT62,RT68		1	DISCHARGE OUTDOOR HEAT EXCHANGER
26	E02 A58 440	POWER BOARD		1	1	Including heat sink and RT64
27	E02 A58 450	OUTDOOR ELECTRONIC CONTROL P.C. BOARD		1		
	E02 A53 450				1	
28	E02 A58 233	BACK PANEL (OUT)		1	1	
29	E02 817 009	HANDLE		1	1	
30	E02 851 515	MOTOR SUPPORT		1	1	
③1	E02 851 936	CAPILLARY TUBE (TAPER PIPE)		1	1	O.D. 0.142 × I.D. 0.094 × 1-31/32

**12-2. RoHS PARTS LIST (RoHS compliant)**

**MUZ-A09NA MUZ-A12NA MUZ-A15NA MUZ-A17NA MUY-A15NA MUY-A17NA**

**1. OUTDOOR UNIT STRUCTURAL PARTS AND FUNCTIONAL PARTS**

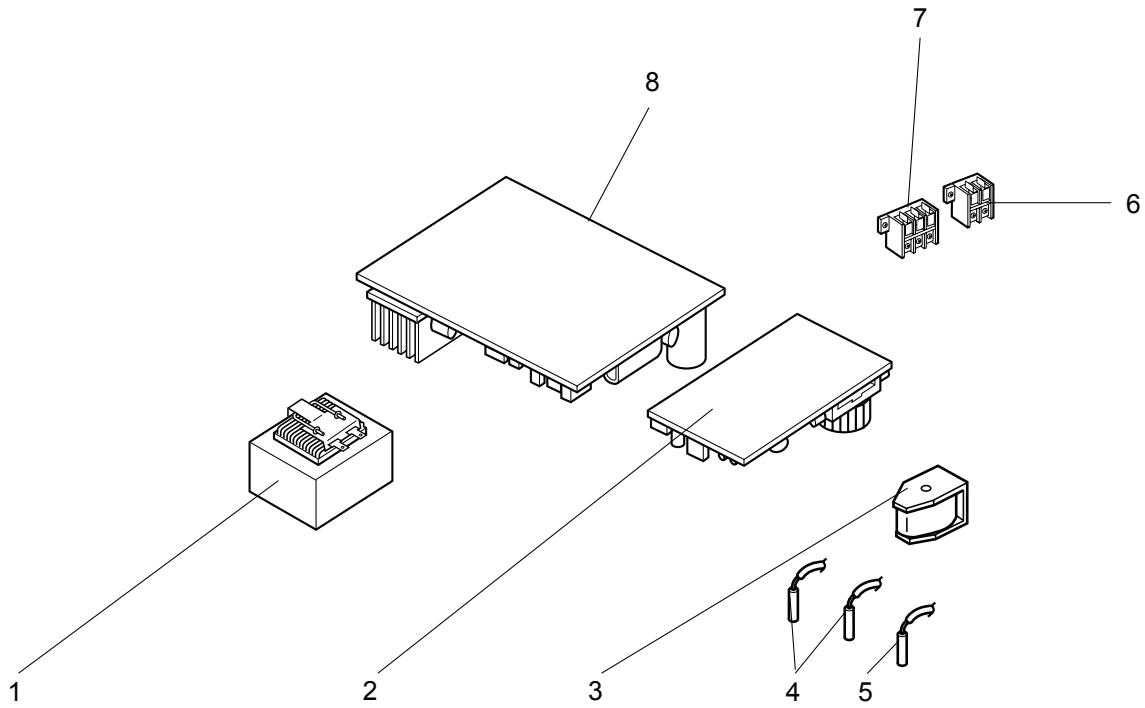


# 1. OUTDOOR UNIT STRUCTURAL PARTS AND FUNCTIONAL PARTS

Part numbers that are circled are not shown in the illustration.

No.	RoHS	Part No.	Part name	Symbol in Wiring Diagram	Q'ty/unit										Remarks	
					MUZ-A								MUY-A			
					09NA		12NA		15NA		17NA		15NA	17NA		
-[1]	-[U1]	-[U2]	-[U1]	-[U1]	-[U1]	-[U1]	-[U1]									
1	G	E12 927 232	CABINET		1	1	1	1	1	1	1	1	1	1	1	
2	G	E12 927 521	GRILLE		1	1	1	1	1	1	1	1	1	1	1	
3	G	E12 927 501	PROPELLER		1	1	1	1	1	1	1	1	1	1	1	
4	G	E12 927 290	BASE		1	1	1	1	1	1	1	1	1	1	1	
5	G	E12 A54 900	COMPRESSOR	MC	1	1	1	1	1	1						KNB092FPAH
	G	E12 A56 900								1	1	1	1	1	1	
6	G	E12 065 506	COMPRESSOR RUBBER SET		3	3	3	3	3	3	3	3	3	3	3	3 RUBBERS/SET
7	G	E12 A54 661	STOP VALVE (GAS)		1	1	1	1	1	1						ø3/8
	G	E12 A56 661							1	1	1	1	1	1	1	1
8	G	E12 927 662	STOP VALVE (LIQUID)		1	1	1	1	1	1	1	1	1	1	1	ø1/4
9	G	E12 A49 245	SERVICE PANEL		1	1	1	1	1	1	1	1	1	1	1	
10	G	E12 A54 233	BACK PANEL		1	1	1	1	1	1	1	1	1	1	1	
11	G	E12 A54 640	EXPANSION VALVE		1	1	1	1	1	1	1	1	1	1	1	
12	G	E12 927 493	EXPANSION VALVE COIL	LEV	1	1	1	1	1	1	1	1	1	1	1	
13	G	E12 A56 961	4-WAY VALVE							1	1	1	1	1	1	
	G	E12 A54 961		1	1	1	1	1	1							
14	G	E12 929 523	CONDENSER NET		1		1		1	1	1	1	1	1	1	
	G	E12 838 523			1		1									
15	G	E12 A54 293	SEPARATOR		1		1		1	1	1	1	1	1	1	
	G	E12 B49 293			1		1									
16	G	E12 929 515	MOTOR SUPPORT		1		1		1	1	1	1	1	1	1	
	G	E12 927 515			1		1									
17	G	E12 927 297	TOP PANEL		1	1	1	1	1	1	1	1	1	1	1	
18	G	E12 A54 630	OUTDOOR HEAT EXCHANGER		1		1		1	1						
	G	E12 A56 630							1	1	1	1				
	G	E12 A51 630												1	1	
	G	E12 B49 630			1		1									
19	G	E12 A54 301	OUTDOOR FAN MOTOR	MF	1	1	1	1	1	1	1	1	1	1	1	RC0J50-□□
20	G	E12 A49 641	SERVICE PORT		2	2	2	2	2	2	2	2	2	2	2	1 PC/SET
21	G	E12 735 936	CAPILLARY TUBE		2		2		2	2	2	2	2	2	2	O.D. 0.118 × I.D. 0.071 × 23-5/8
	G	E12 927 937			1		1									O.D. 0.118 × I.D. 0.079 × 9-7/16

MUZ-A09NA MUZ-A12NA MUZ-A15NA MUZ-A17NA MUY-A15NA MUY-A17NA  
2. OUTDOOR UNIT ELECTRICAL PARTS

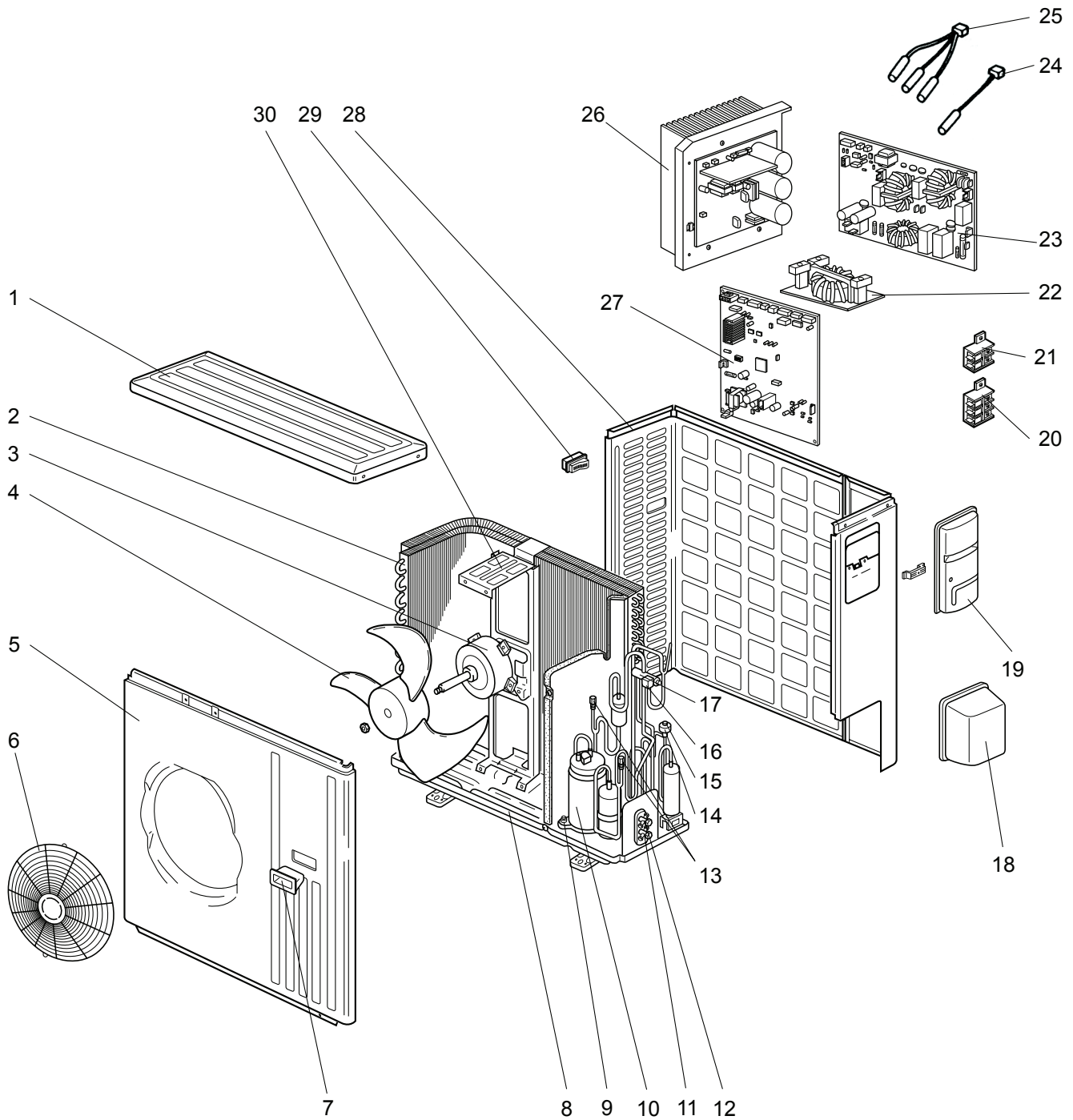


## 2. OUTDOOR UNIT ELECTRICAL PARTS

No.	ROHS	Part No.	Part name	Symbol in Wiring Diagram	Q'ty/unit												Remarks
					MUZ-A									MUY-A			
					09NA			12NA	15NA		17NA		15NA	17NA			
-1	-U1	-U2	-U1	-U1	-U1												
1	G	E12 838 337	REACTOR	L61	1	1	1	1	1	1	1	1	1	1	1		
2	G	E12 A54 444	POWER P.C. BOARD		1	1	1	1	1	1	1	1	1	1	1	1	
3	G	E12 A54 490	R.V. COIL	21S4	1	1	1	1	1	1	1	1	1	1			
4	G	E12 927 306	THERMISTOR SET	RT61,RT62	1	1	1	1	1	1	1	1	1	1	1	1	DEFROST, DISCHARGE
5	G	E12 927 308	AMBIENT TEMPERATURE THERMISTOR	RT65	1	1	1	1	1	1	1	1	1	1	1	1	
6	G	E12 A54 374	TERMINAL BLOCK	TB1	1	1	1	1	1	1	1	1	1	1	1	1	2 P
7	G	E12 A55 374	TERMINAL BLOCK	TB2	1	1	1	1	1	1	1	1	1	1	1	1	3 P
8	G	E12 A54 451	INVERTER P.C. BOARD		1												Including heat sink and RT64
	G	E12 B49 451			1												
	G	E12 A55 451					1										
	G	E12 A56 451							1					1			
	G	E12 A57 451									1				1		
	G	E12 B09 451					1										
	G	E12 B51 451						1									
	G	E12 B10 451							1								
	G	E12 B11 451									1						
G	E12 B12 451										1						

MUZ-A24NA MUY-A24NA MUZ-GA24NA MUY-GA24NA

3. OUTDOOR UNIT STRUCTURAL PARTS, ELECTRICAL PARTS AND FUNCTIONAL PARTS



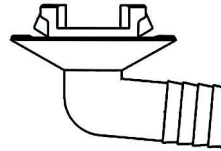
### 3. OUTDOOR UNIT STRUCTURAL PARTS, ELECTRICAL PARTS AND FUNCTIONAL PARTS

Part numbers that are circled are not shown in the illustration.

No.	RoHS	Part No.	Part name	Symbol in Wiring Diagram	Q'ty/unit								Remarks	
					MUZ-				MUJ-					
					A24NA			GA24NA	A24NA			GA24NA		
-1	-U1	-U2	-U1	-1	GA									
1	G	E12 819 297	TOP PANEL		1	1	1	1	1	1	1	1	1	
2	G	E12 A53 630	OUTDOOR HEAT EXCHANGER							1	1			
	G	E12 A58 630			1	1	1	1						
	G	E12 E34 630						1	1					
	G	E12 E35 630											1	
3	G	E12 A58 301	OUTDOOR FAN MOTOR	MF	1	1	1	1			1	1		RC0J60-□□
	G	E12 E34 301							1	1				1
4	G	E12 851 501	PROPELLER		1	1	1	1	1	1	1	1	1	
5	G	E12 819 232	CABINET		1	1	1	1	1	1	1	1	1	
6	G	E12 819 521	FAN GUARD		1	1	1	1	1	1	1	1	1	
7	G	E12 819 009	HANDLE		1	1	1	1	1	1	1	1	1	
8	G	E12 851 290	BASE		1	1	1	1	1	1	1	1	1	
9	G	E12 065 506	COMPRESSOR RUBBER SET		3		3			3				3 RUBBERS/SET
	G	E12 C34 506				3		3	3	3		3	3	
10	G	E12 A56 900	COMPRESSOR	MC	1	1	1	1		1	1			SNB130FPDH
	G	E12 E34 900							1	1			1	
11	G	E12 A58 661	STOP VALVE (GAS)		1	1	1	1	1	1	1	1	1	ø5/8
12	G	E12 821 662	STOP VALVE (LIQUID)		1	1	1	1	1	1	1	1	1	ø1/4
13	G	E12 A49 641	SERVICE PORT		2	2	2	2	2	2	2	2	2	1 PC/SET
14	G	E12 851 493	EXPANSION VALVE COIL	LEV	1	1	1	1	1	1	1	1	1	
15	G	E12 851 640	EXPANSION VALVE		1	1	1	1	1	1	1	1	1	
16	G	E12 A58 490	R.V. COIL	21S4	1	1	1	1	1	1				
17	G	E12 A56 961	4-WAY VALVE		1	1	1	1	1	1	1	1	1	
18	G	E12 819 650	VALVE COVER		1	1	1	1	1	1	1	1	1	
19	G	E12 819 245	SERVICE PANEL		1	1	1	1			1	1		
	G	E12 D20 245						1	1				1	
20	G	E12 935 374	TERMINAL BLOCK	TB2	1	1	1	1	1	1	1	1	1	3 P
21	G	E12 A53 374	TERMINAL BLOCK	TB1	1	1	1	1	1	1	1	1	1	2 P
22	G	E12 851 337	REACTOR	L	1	1	1	1			1	1		
	G	E12 A87 337							1	1				1
23	G	E12 A58 444	NOISE FILTER P.C. BOARD		1	1	1	1	1	1				
	G	E12 A53 444								1	1	1		
24	G	E12 935 309	AMBIENT TEMPERATURE THERMISTOR	RT65	1	1	1	1	1	1	1	1	1	
25	G	E12 851 308	THERMISTOR SET	RT61,RT62,RT68 RT62,RT68	1	1	1	1	1	1				DEFROST, DISCHARGE OUTDOOR HEAT EXCHANGER
	G	E12 A53 308								1	1	1		DISCHARGE OUTDOOR HEAT EXCHANGER
26	G	E12 A58 440	POWER BOARD		1	1	1	1			1	1		Including heat sink and RT64
	G	E12 E34 440						1	1				1	
27	G	E12 A58 450	OUTDOOR ELECTRONIC CONTROL P.C. BOARD		1	1								
	G	E12 A53 450								1	1			
	G	E12 B13 450				1	1							
	G	E12 E34 450						1						
	G	E12 E37 450							1					
28	G	E12 A58 233	BACK PANEL (OUT)		1		1				1			
	G	E12 D91 233				1		1				1		
	G	E12 E34 233						1	1				1	
29	G	E12 817 009	HANDLE		1	1	1	1	1	1	1	1	1	
30	G	E12 851 515	MOTOR SUPPORT		1	1	1	1	1	1	1	1	1	
31	G	E12 851 936	CAPILLARY TUBE (TAPER PIPE)		1	1	1	1	1	1	1	1	1	O.D. 0.142 × I.D. 0.094 × 1-31/32

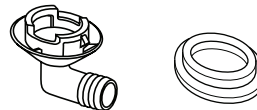
## 13-1. DRAIN SOCKET

Model	Part No.
MUZ-A09/12/15/17NA MUY-A15/17NA	MAC-851DS



## 13-2. DRAIN SOCKET ASSEMBLY

Model	Part No.
MUZ-A24NA MUY-A24NA MUZ-GA24NA MUY-GA24NA	MAC-811DS



HEAD OFFICE: TOKYO BLDG., 2-7-3, MARUNOUCHI, CHIYODA-KU, TOKYO 100-8310, JAPAN

© Copyright 2006 MITSUBISHI ELECTRIC CO.,LTD  
 Distributed in Mar. 2009. No. OB451 REVISED EDITION-E 4  
 Distributed in May. 2008. No. OB451 REVISED EDITION-D 6  
 Distributed in Nov. 2007. No. OB451 REVISED EDITION-C 7  
 Distributed in Feb. 2007. No. OB451 REVISED EDITION-B 7  
 Distributed in Sep. 2006. No. OB451 REVISED EDITION-A 7  
 Distributed in Apr. 2006. No. OB451 7  
 Made in Japan

New publication, effective Mar. 2009  
 Specifications subject to change without notice.