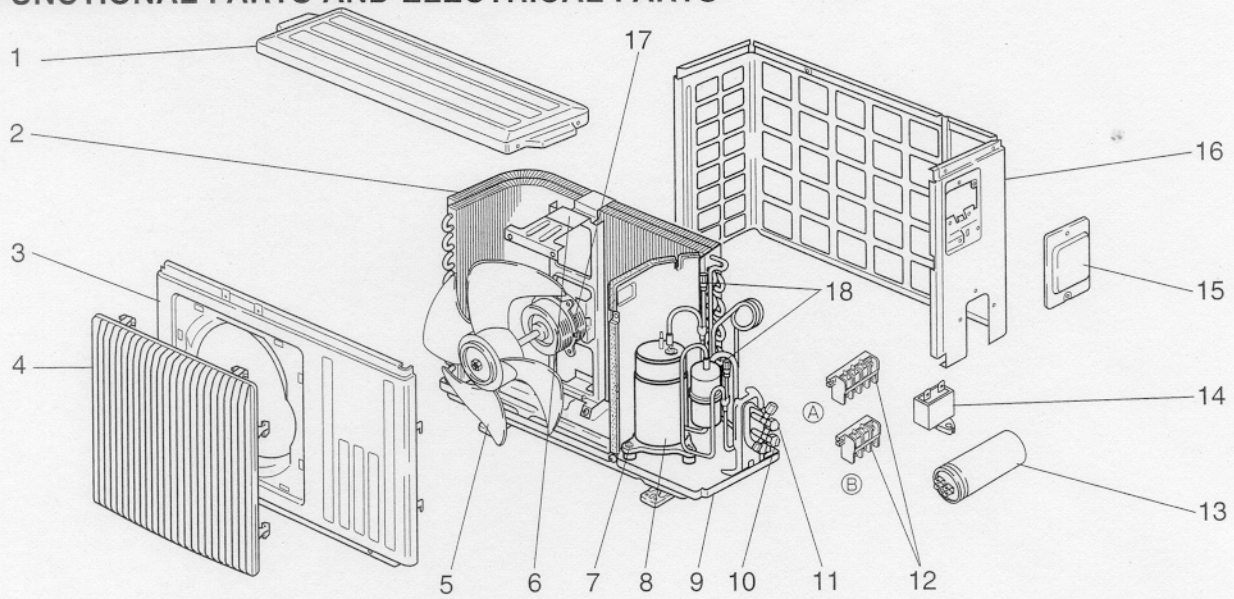


MU09TW MU12TN

13-5. OUTDOOR UNIT STRUCTURAL PARTS,
FUNCTIONAL PARTS AND ELECTRICAL PARTS



Part numbers that are circled are not shown in the illustration.

No.	Parts No.	Parts Name	Symbol in Wiring Diagram	Q'ty / set		Remarks
				MU09TW	MU12TN	
1	E02 336 297	TOP PANEL		1	1	
2	E02 336 630	OUTDOOR HEAT EXCHANGER		1		
	E02 498 630	OUTDOOR HEAT EXCHANGER			1	
3	E02 336 232	CABINET		1	1	
4	E02 336 521	GRILLE		1	1	
5	E02 336 501	PROPELLER FAN		1	1	
	E02 336 515	MOTOR SUPPORT		1		
6	E02 442 515	MOTOR SUPPORT			1	
	E02 336 506	COMPRESSOR RUBBER SET		3		3RUBBERS/SET
7	E02 075 506	COMPRESSOR RUBBER SET			3	3RUBBERS/SET
	E02 541 900	COMPRESSOR	MC	1		RH130WGJT
8	E02 270 900	COMPRESSOR	MC		1	RH167NHDT
	E02 339 290	BASE		1		
9	E02 340 290	BASE			1	
	E02 339 661	STOP VALVE(GAS)		1		φ 3/8
10	E02 340 661	STOP VALVE(GAS)			1	φ 1/2
	E02 339 662	STOP VALVE(LIQUID)		1	1	φ 1/4
11	E02 541 374	TERMINAL BLOCK	TB2	1		4P FIGURE(A)
	E02 541 377	TERMINAL BLOCK	TB1	1		3P FIGURE(B)
	E02 475 374	TERMINAL BLOCK	TB2		1	4P FIGURE(A)
	E02 476 374	TERMINAL BLOCK	TB1		1	4P FIGURE(A)
12	E02 541 353	COMPRESSOR CAPACITOR	C1	1		75μF/180VAC
	E02 542 353	COMPRESSOR CAPACITOR	C1		1	25μF/370VAC
13	E02 541 351	OUTDOOR FAN CAPACITOR	C2	1		6.0μF/250VAC
	E02 542 351	OUTDOOR FAN CAPACITOR	C2		1	1.5μF/440VAC
14	E02 541 245	SERVICE PANEL		1	1	
15	E02 541 233	BACK PANEL		1	1	
16	E02 541 301	OUTDOOR FAN MOTOR	MF	1		RA6W21 - □□
	E02 542 301	OUTDOOR FAN MOTOR	MF		1	RA6N32 - □□
17	E07 001 641	SERVICE PORT		2	2	
18	E02 339 936	CAPILLARY TUBE		1		φ0.12 × φ0.055 × 23-5/8
	E02 542 936	CAPILLARY TUBE			1	φ0.12 × φ0.071 × 23-5/8
19	E02 474 642	FUSIBLE PLUG		1	1	
20	E02 466 340	COMPRESSOR CONTACTOR	52C	1	1	