

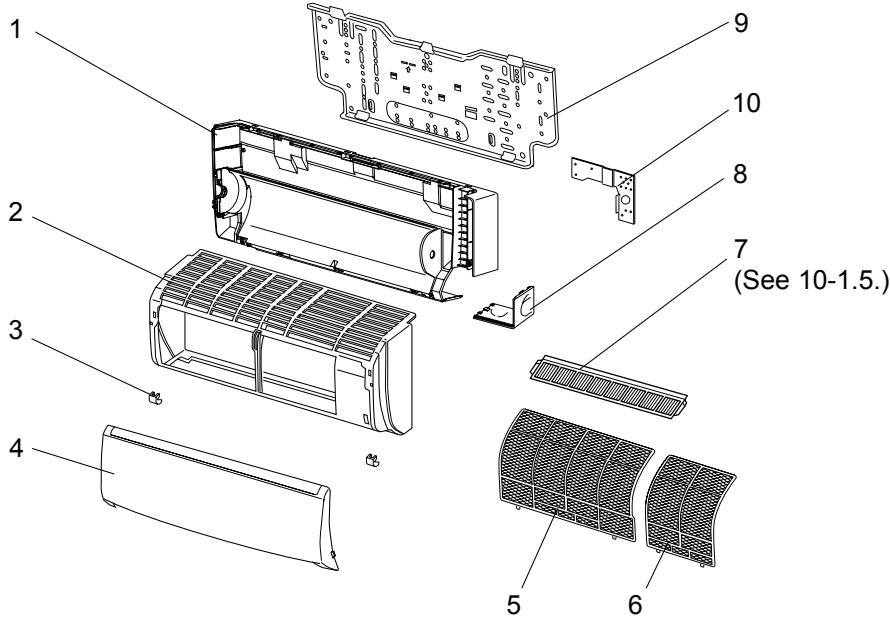
10

PARTS LIST

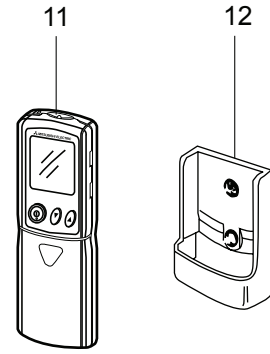
10-1. PARTS LIST (non-RoHS compliant)

MSZ-A09NA MSZ-A12NA MSY-A15NA MSY-A17NA MSZ-A15NA MSZ-A17NA

1. INDOOR UNIT STRUCTURAL PARTS



2. ACCESSORY AND REMOTE CONTROLLER



1. INDOOR UNIT STRUCTURAL PARTS

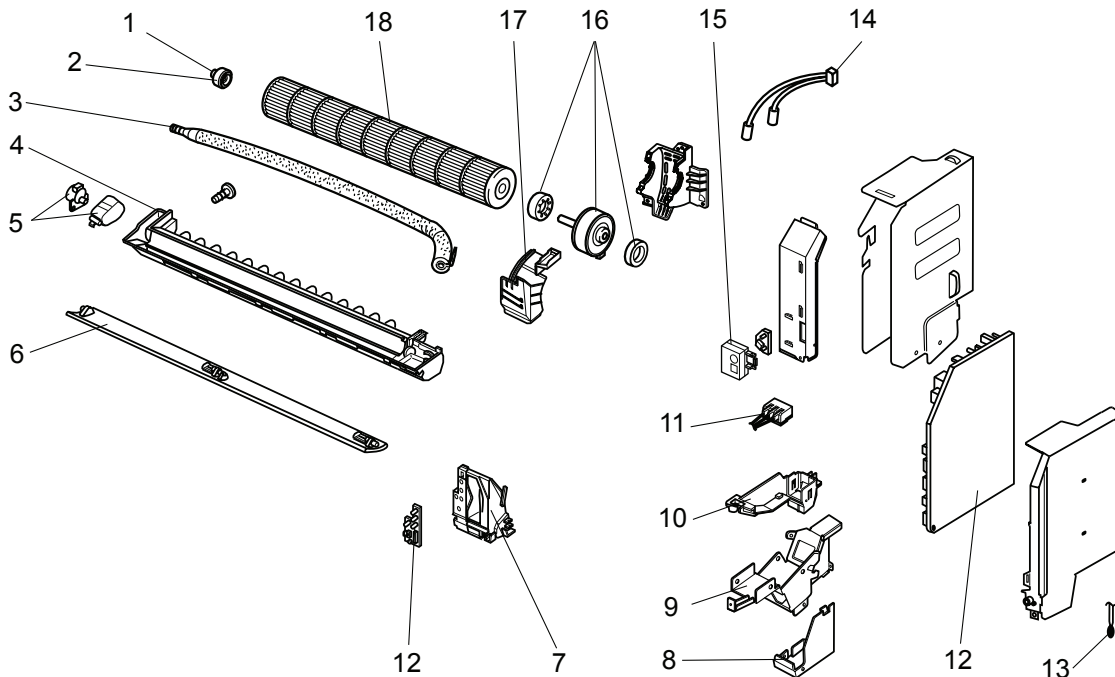
No.	Part No.	Part name	Symbol in Wiring Diagram	Q'ty/unit						Remarks
				MSZ-				MSY-		
				A09NA	A12NA	A15NA	A17NA	A15NA	A17NA	
1	E02 A32 234	BOX		1	1	1	1	1	1	
2	E02 A49 000	PANEL ASSEMBLY		1	1	1	1	1	1	Including No.3,4
3	E02 913 067	SCREW CAP		2	2	2	2	2	2	2 PC/SET
4	E02 915 010	FRONT PANEL		1	1	1	1	1	1	
5	E02 915 100	CATECHIN AIR FILTER (LEFT)		1	1	1	1	1	1	
6	E02 916 100	CATECHIN AIR FILTER (RIGHT)		1	1	1	1	1	1	
7	—	AIR CLEANING FILTER		1	1	1	1	1	1	MAC-415FT-E
8	E02 A32 975	CORNER BOX (RIGHT)		1	1	1	1	1	1	
9	E02 913 970	INSTALLATION PLATE		1	1	1	1	1	1	
10	E02 A49 978	CONDUIT PLATE		1	1	1	1	1	1	

2. ACCESSORY AND REMOTE CONTROLLER

11	E02 A54 426	REMOTE CONTROLLER		1	1	1	1			KM06A
	E02 A49 426							1	1	KM06C
12	E02 527 083	REMOTE CONTROLLER HOLDER		1	1	1	1	1	1	

MSZ-A09NA MSZ-A12NA MSZ-A15NA MSZ-A17NA MSY-A15NA MSY-A17NA

3. INDOOR UNIT ELECTRICAL PARTS AND FUNCTIONAL PARTS



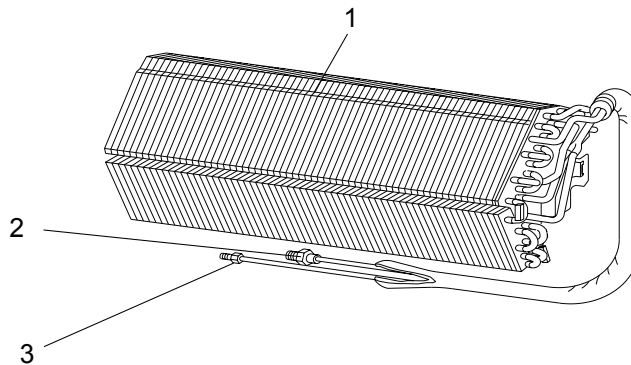
No.	Part No.	Part name	Symbol in Wiring Diagram	Q'ty/unit						Remarks
				MSZ-				MSY-		
				A09NA	A12NA	A15NA	A17NA	A15NA	A17NA	
1	E02 751 509	BEARING MOUNT		1	1	1	1	1	1	
2	E02 001 504	SLEEVE BEARING		1	1	1	1	1	1	
3	E02 897 702	DRAIN HOSE		1	1	1	1	1	1	
4	E02 A54 235 E02 A56 235	NOZZLE ASSEMBLY		1	1					
5	E02 897 303	VANE MOTOR UNIT (HORIZONTAL)	MV	1	1	1	1	1	1	UP & DOWN
6	E02 913 040	HORIZONTAL VANE		1	1	1	1	1	1	
7	E02 915 095	POWER MONITOR RECEIVER P.C. BOARD HOLDER		1	1	1	1	1	1	
8	E02 A49 979	CONDUIT COVER		1	1	1	1	1	1	
9	E02 A49 780	TERMINAL BLOCK COVER		1	1	1	1	1	1	
10	E02 A49 779	TERMINAL BLOCK HOLDER		1	1	1	1	1	1	
11	E02 913 375	TERMINAL BLOCK	TB	1	1	1	1	1	1	
12	E02 A54 452	ELECTRONIC CONTROL P.C. BOARD ※1		1						
	E02 A55 452				1					
	E02 A56 452					1				
	E02 A57 452						1			
	E02 A51 452 E02 A52 452								1	
13	E02 897 308	ROOM TEMPERATURE THERMISTOR	RT11	1	1	1	1	1	1	
14	E02 A54 307 E02 A56 307	INDOOR COIL THERMISTOR	RT12, RT13	1	1					
						1	1	1	1	
15	E02 915 782	SWITCH HOLDER		1	1	1	1	1	1	
16	E02 A54 300	INDOOR FAN MOTOR ※2	MF	1	1	1	1	1	1	RC0J30-□□
17	E02 897 333	MOTOR BAND		1	1	1	1	1	1	
18	E02 897 302	LINE FLOW FAN		1	1	1	1	1	1	

※1 Including SW P.C. BOARD and POWER MONITOR RECEIVER P.C. BOARD

※2 Including FAN MOTOR RUBBER MOUNT (2 PC/SET)

MSZ-A09NA MSZ-A12NA MSZ-A15NA MSZ-A17NA MSY-A15NA MSY-A17NA

4. INDOOR UNIT HEAT EXCHANGER



No.	Part No.	Part name	Symbol in Wiring Diagram	Q'ty/unit						Remarks
				MSZ-				MSY-		
				A09NA	A12NA	A15NA	A17NA	A15NA	A17NA	
1	E02 A54 620	INDOOR HEAT EXCHANGER		1	1					
	E02 A56 620					1	1	1	1	
2	E02 815 666	UNION (GAS)		1	1					ø3/8
	E02 155 666					1	1	1	1	ø1/2
3	E02 151 667	UNION (LIQUID)		1	1	1	1	1	1	ø1/4

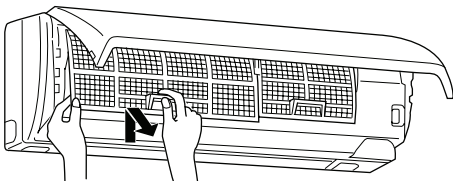
5. AIR CLEANING FILTER (ANTI-ALLERGY ENZYME FILTER)

- AIR CLEANING FILTER removes fine dust of 0.01 micron from air by means of static electricity.
- Normal life of AIR CLEANING FILTER is 1 year.
If AIR CLEANING FILTER is to be washed, soak AIR CLEANING FILTER in water (when showing dirt, in lukewarm water) and rinse it delicately, without removing the filter from the frame about once every 3 months.
- Clogged AIR CLEANING FILTER may reduce the air conditioner capacity or cause frost on the air outlet.
- Do not remove or attach AIR CLEANING FILTER during unit operation.

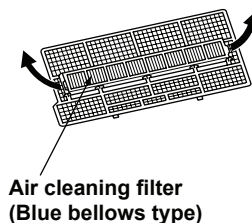
Model	Part No.
MSZ-A09/12/15/17NA MSY-A15/17NA	MAC-415FT-E

Replacement of the air cleaning filter

(1) Remove the catechin air filter (left one).
The air cleaning filter is not attached to the right side catechin air filter.

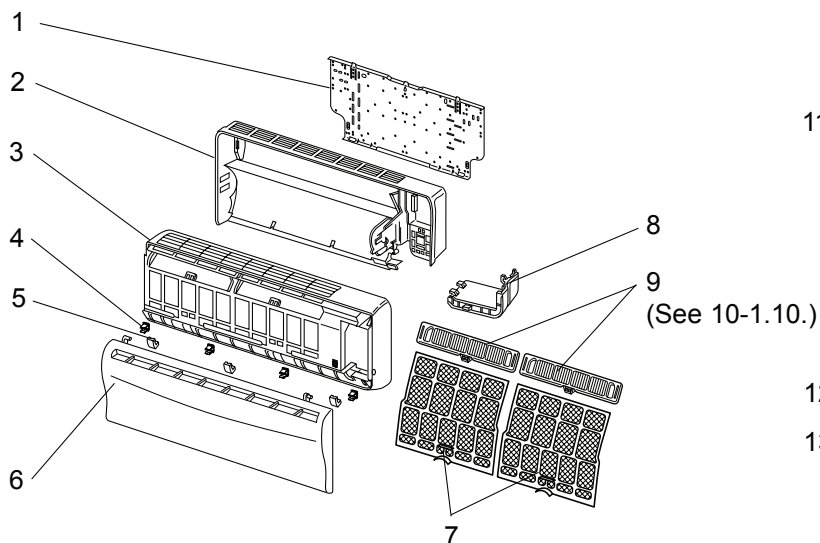


(2) Remove the air cleaning filter (Blue bellows type) from the catechin air filter.

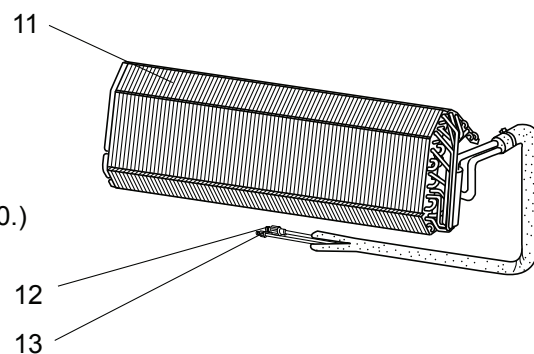


MSZ-A24NA MSY-A24NA

6. INDOOR UNIT STRUCTURAL PARTS



7. INDOOR UNIT HEAT EXCHANGER



6. INDOOR UNIT STRUCTURAL PARTS

Part number that is circled is not shown in the illustration.

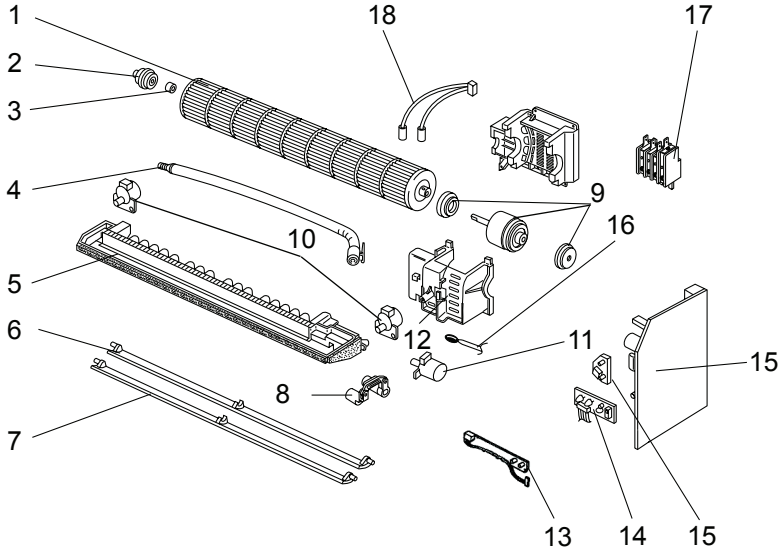
No.	Part No.	Part Name	Symbol in Wiring Diagram	Q'ty/unit		Remarks
				MSZ-A24NA	MSY-A24NA	
1	E02 527 970	INSTALLATION PLATE		1	1	
2	E02 685 234	BOX		1	1	
3	E02 888 000	FRONT PANEL ASSEMBLY		1	1	Including No.5,6
4	E02 408 142	CATCH		4	4	4 PC/SET
5	E02 685 067	SCREW CAP		3	3	3 PC/SET
6	E02 888 010	GRILLE		1	1	
7	E02 534 100	CATECHIN AIR FILTER		2	2	1 PC/SET
8	E02 685 975	CORNER BOX (RIGHT)		1	1	
9	—	AIR CLEANING FILTER		2	2	MAC-2300FT
⑩	E02 888 007	LAMP PANEL		1	1	

7. INDOOR UNIT HEAT EXCHANGER

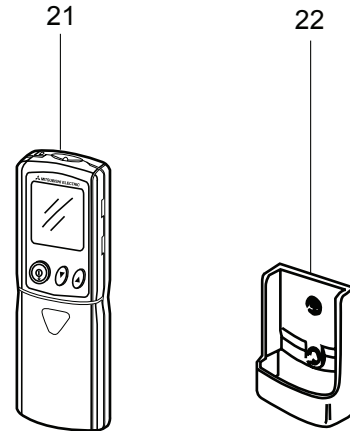
11	E02 A58 620	INDOOR HEAT EXCHANGER		1	1	
12	E02 527 666	UNION (GAS)		1	1	ø5/8
13	E02 151 667	UNION (LIQUID)		1	1	ø1/4

MSZ-A24NA MSY-A24NA

8. INDOOR UNIT FUNCTIONAL PARTS AND ELECTRICAL PARTS



9. ACCESSORY AND REMOTE CONTROLLER



8. INDOOR UNIT FUNCTIONAL PARTS AND ELECTRICAL PARTS

Part numbers that is circled is not shown in the illustration.

No.	Part No.	Part Name	Symbol in Wiring Diagram	Q'ty/unit		Remarks
				MSZ-A24NA	MSY-A24NA	
1	E02 527 302	LINE FLOW FAN		1	1	
2	E02 408 509	BEARING MOUNT		1	1	
3	E02 001 504	SLEEVE BEARING		1	1	
4	E02 408 702	DRAIN HOSE		1	1	
5	E02 A58 235	NOZZLE		1	1	
6	E02 685 040	VANE UPPER		1	1	
7	E02 685 041	VANE LOWER		1	1	
8	E02 527 034	VANE CRANK SET		1	1	
9	E02 A58 300	INDOOR FAN MOTOR ASSEMBLY *1	MF	1	1	RC0J56-□□
10	E02 448 303	VANE MOTOR (VERTICAL)	MV2	2	2	RIGHT & LEFT
11	E02 408 303	VANE MOTOR (HORIZONTAL)	MV1	1	1	UP & DOWN
12	E02 918 333	MOTOR BAND		1	1	
13	E02 918 329	DISPLAY P.C. BOARD		1	1	
14	E02 918 468	RECEIVER P.C. BOARD		1	1	
15	E02 A58 452 E02 A53 452	ELECTRONIC CONTROL P.C. BOARD *2		1	1	
16	E02 527 308	ROOM TEMPERATURE THERMISTOR	RT11	1	1	
17	E02 A58 375	TERMINAL BLOCK	TB	1	1	
18	E02 918 307	INDOOR COIL THERMISTOR	RT12, RT13	1	1	
19	E02 528 034	VANE MOTOR SUPPORT SET(RIGHT)		1	1	
20	E02 529 034	VANE MOTOR SUPPORT SET(LEFT)		1	1	

*1 Including FAN MOTOR RUBBER MOUNT

*2 Including SW P.C. BOARD

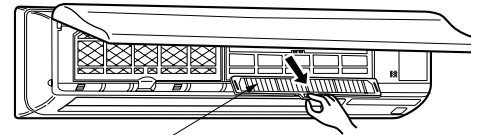
9. ACCESSORY AND REMOTE CONTROLLER

21	E02 A58 426 E02 A53 426	REMOTE CONTROLLER		1	1	KM06B KM06D
22	E02 527 083	REMOTE CONTROLLER HOLDER		1	1	

10. AIR CLEANING FILTER (ANTI-ALLERGY ENZYME FILTER)

- AIR CLEANING FILTER removes fine dust of 0.01 micron from air by means of static electricity.
- Normal life of AIR CLEANING FILTER is 1 year.
If AIR CLEANING FILTER is to be washed, soak AIR CLEANING FILTER in water (when showing dirt, in lukewarm water) and rinse it delicately, without removing the filter from the frame about once every 3 months.
- Clogged AIR CLEANING FILTER may reduce the air conditioner capacity or cause frost on the air outlet.
- Do not remove or attach AIR CLEANING FILTER during unit operation.

Model	Part No.
MSZ-A24NA MSY-A24NA	MAC-2300FT

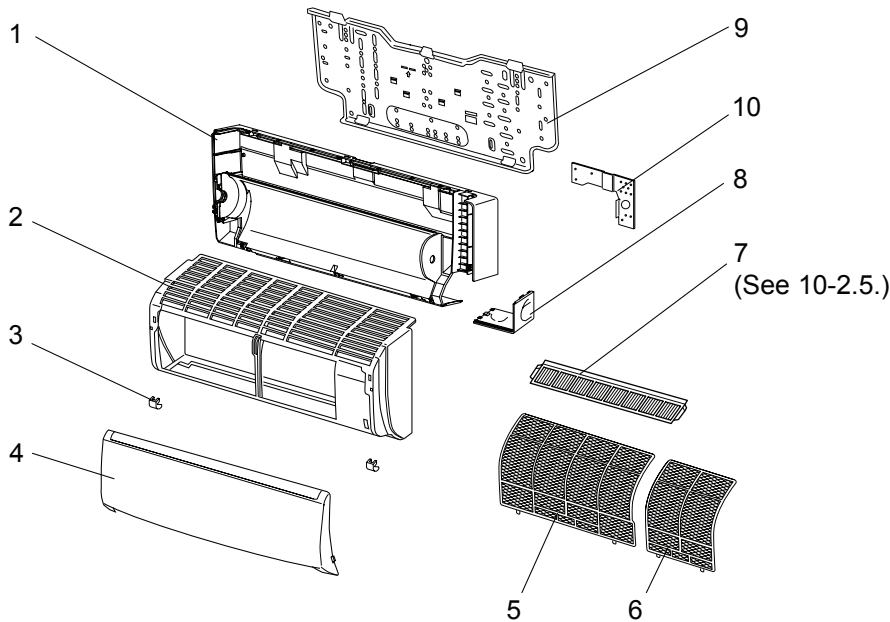


Air cleaning filter
(Anti-allergy enzyme filter:blue bellows type)

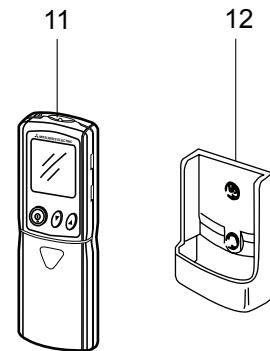
10-2. RoHS PARTS LIST (RoHS compliant)

MSZ-A09NA MSZ-A12NA MSY-A15NA MSY-A17NA MSZ-A15NA MSZ-A17NA

1. INDOOR UNIT STRUCTURAL PARTS



2. ACCESSORY AND REMOTE CONTROLLER



1. INDOOR UNIT STRUCTURAL PARTS

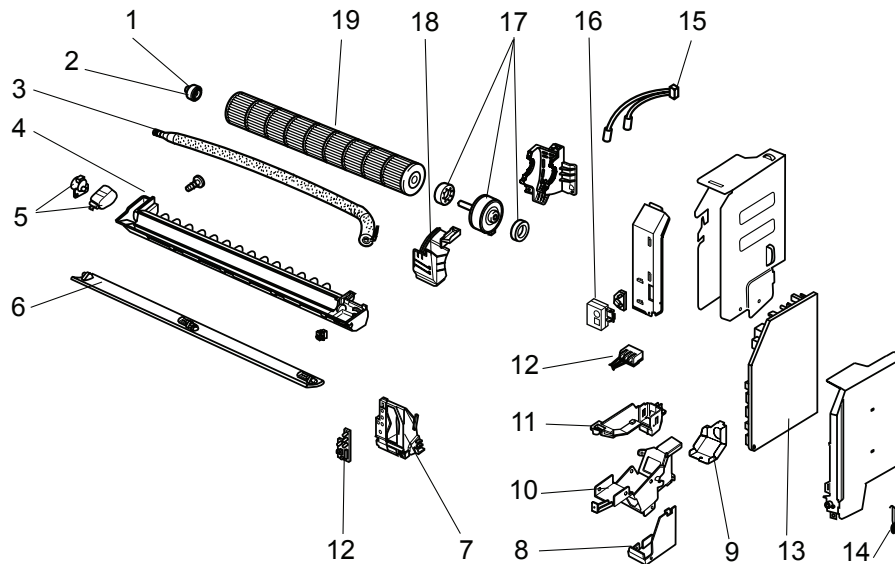
No.	RoHS	Part No.	Part name	Symbol in Wiring Diagram	Q'ty/unit								Remarks	
					MSZ-A				MSY-A					
					09NA	12NA	15NA	17NA	15NA	17NA				
1	G	E12 A32 234	BOX		1	1	1	1	1	1	1	1	1	
2	G	E12 A49 000	PANEL ASSEMBLY		1	1	1	1	1	1	1	1	1	Including No.3,4
3	G	E12 913 067	SCREW CAP		2	2	2	2	2	2	2	2	2	2 PC/SET
4	G	E12 915 010	FRONT PANEL		1	1	1	1	1	1	1	1	1	
5	G	E12 915 100	CATECHIN AIR FILTER (LEFT)		1	1	1	1	1	1	1	1	1	
6	G	E12 916 100	CATECHIN AIR FILTER (RIGHT)		1	1	1	1	1	1	1	1	1	
7	G	—	AIR CLEANING FILTER		1	1	1	1	1	1	1	1	1	MAC-415FT-E
8	G	E12 A32 975	CORNER BOX (RIGHT)		1	1	1	1	1	1	1	1	1	
9	G	E12 913 970	INSTALLATION PLATE		1	1	1	1	1	1	1	1	1	
10	G	E12 A49 978	CONDUIT PLATE		1	1	1	1	1	1	1	1	1	

2. ACCESSORY AND REMOTE CONTROLLER

11	G	E12 A54 426	REMOTE CONTROLLER		1	1	1	1						KM06A	
	G	E12 A49 426								1		1		KM06C	
	G	E12 C30 426									1		1		KM07L
	G	E12 C22 426			1	1	1	1							KM07J
12	G	E12 527 083	REMOTE CONTROLLER HOLDER		1	1	1	1	1	1	1	1	1		

MSZ-A09NA MSZ-A12NA MSZ-A15NA MSZ-A17NA MSY-A15NA MSY-A17NA

3. INDOOR UNIT ELECTRICAL PARTS AND FUNCTIONAL PARTS



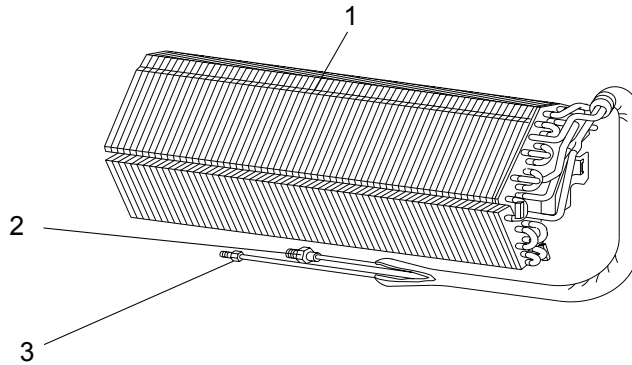
No.	RoHS	Part No.	Part name	Symbol in Wiring Diagram	Q'ty/unit												Remarks							
					MSZ-A								MSY-A											
					09NA		12NA		15NA		17NA		15NA		17NA									
1	G	E12 751 509	BEARING MOUNT		1	1	1	1	1	1	1	1	1	1	1	1	1	1	1	1	1	1	1	
2	G	E12 001 504	SLEEVE BEARING		1	1	1	1	1	1	1	1	1	1	1	1	1	1	1	1	1	1	1	
3	G	E12 897 702	DRAIN HOSE		1	1	1	1	1	1	1	1	1	1	1	1	1	1	1	1	1	1	1	
4	G	E12 A54 235	NOZZLE ASSEMBLY		1	1	1	1																
	G	E12 A56 235							1	1	1	1	1	1	1	1	1	1	1	1	1	1	1	
5	G	E12 897 303	VANE MOTOR UNIT (HORIZONTAL)	MV	1	1	1	1	1	1	1	1	1	1	1	1	1	1	1	1	1	1	UP & DOWN	
6	G	E12 913 040	HORIZONTAL VANE		1	1	1	1	1	1	1	1	1	1	1	1	1	1	1	1	1	1		
7	G	E12 915 095	POWER MONITOR RECEIVER P.C. BOARD HOLDER		1	1	1	1	1	1	1	1	1	1	1	1	1	1	1	1	1	1		
8	G	E12 A49 979	CONDUIT COVER		1		1		1		1		1		1		1		1		1			
9	G	E12 C30 979	CONDUIT COVER			1		1		1		1		1		1		1		1		1		
	G	E12 A49 780	TERMINAL BLOCK COVER		1		1		1		1		1		1		1		1		1			
10	G	E12 C30 780	TERMINAL BLOCK COVER			1		1		1		1		1		1		1		1		1		
	G	E12 A49 779	TERMINAL BLOCK HOLDER		1		1		1		1		1		1		1		1		1			
11	G	E12 C30 779	TERMINAL BLOCK HOLDER			1		1		1		1		1		1		1		1		1		
	G	E12 A54 452	ELECTRONIC CONTROL P.C. BOARD ※1		1	1																		
13	G	E12 A55 452					1	1																
	G	E12 A56 452							1	1														
	G	E12 A57 452									1	1												
	G	E12 A51 452													1	1								
	G	E12 A52 452																				1	1	
14	G	E12 897 308	ROOM TEMPERATURE THERMISTOR	RT11	1	1	1	1	1	1	1	1	1	1	1	1	1	1	1	1	1	1		
15	G	E12 A54 307	INDOOR COIL THERMISTOR	RT12, RT13	1	1	1	1																
	G	E12 A56 307	INDOOR COIL THERMISTOR						1	1	1	1	1	1	1	1	1	1	1	1	1	1		
16	G	E12 915 782	SWITCH HOLDER		1	1	1	1	1	1	1	1	1	1	1	1	1	1	1	1	1	1		
17	G	E12 A54 300	INDOOR FAN MOTOR ※2	MF	1	1	1	1	1	1	1	1	1	1	1	1	1	1	1	1	1	1		
18	G	E12 897 333	MOTOR BAND		1	1	1	1	1	1	1	1	1	1	1	1	1	1	1	1	1	1		
19	G	E12 897 302	LINE FLOW FAN		1	1	1	1	1	1	1	1	1	1	1	1	1	1	1	1	1	1		

※1 Including SW P.C. BOARD and POWER MONITOR RECEIVER P.C. BOARD

※2 Including FAN MOTOR RUBBER MOUNT (2 PC/SET)

MSZ-A09NA MSZ-A12NA MSZ-A15NA MSZ-A17NA MSY-A15NA MSY-A17NA

4. INDOOR UNIT HEAT EXCHANGER



No.	RoHS	Part No.	Part name	Symbol in Wiring Diagram	Q'ty/unit								Remarks	
					MSZ-A				MSY-A					
					09NA	12NA	15NA	17NA	15NA	17NA				
1	G	E12 A54 620	INDOOR HEAT EXCHANGER			- 1								
	G	E12 A56 620					1	1	1	1	1	1	1	1
2	G	E12 815 666	UNION (GAS)		1	1	1	1						ø3/8
	G	E12 155 666					1	1	1	1	1	1	1	1
3	G	E12 151 667	UNION (LIQUID)		1	1	1	1	1	1	1	1	1	ø1/4

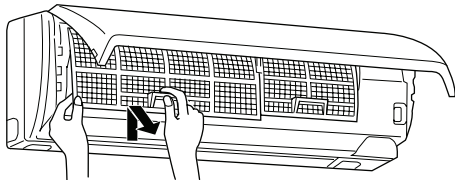
5. AIR CLEANING FILTER (ANTI-ALLERGY ENZYME FILTER)

- AIR CLEANING FILTER removes fine dust of 0.01 micron from air by means of static electricity.
- Normal life of AIR CLEANING FILTER is 1 year.
If AIR CLEANING FILTER is to be washed, soak AIR CLEANING FILTER in water (when showing dirt, in lukewarm water) and rinse it delicately, without removing the filter from the frame about once every 3 months.
- Clogged AIR CLEANING FILTER may reduce the air conditioner capacity or cause frost on the air outlet.
- Do not remove or attach AIR CLEANING FILTER during unit operation.

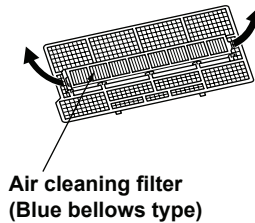
Model	Part No.
MSZ-A09/12/15/17NA MSY-A15/17NA	MAC-415FT-E

Replacement of the air cleaning filter

(1) Remove the catechin air filter (left one).
The air cleaning filter is not attached to the right side catechin air filter.



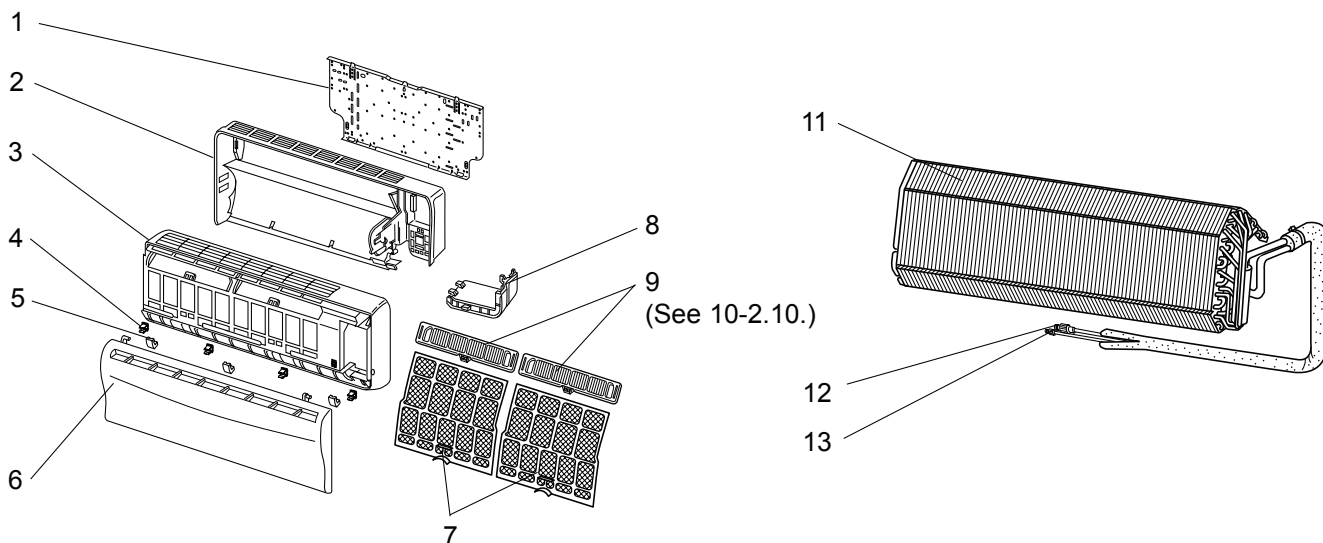
(2) Remove the air cleaning filter (Blue bellows type) from the catechin air filter.



MSZ-A24NA MSY-A24NA MSZ-GA24NA MSY-GA24NA

6. INDOOR UNIT STRUCTURAL PARTS

7. INDOOR UNIT HEAT EXCHANGER



6. INDOOR UNIT STRUCTURAL PARTS

Part number that is circled is not shown in the illustration.

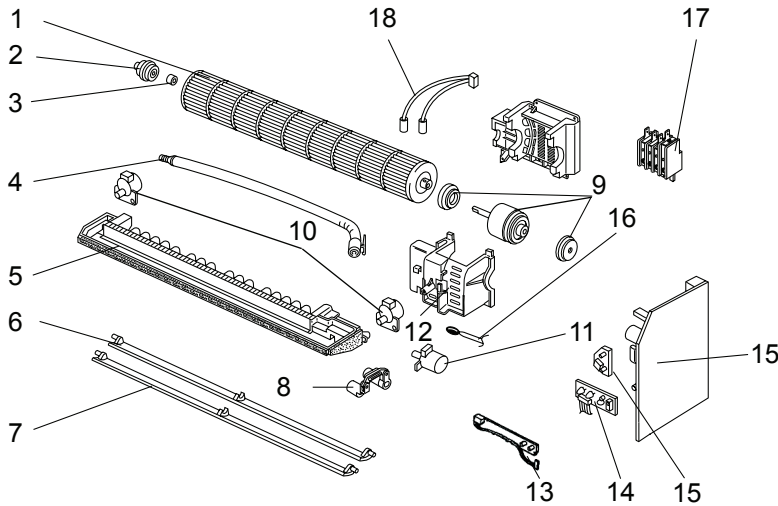
No.	RoHS	Part No.	Part Name	Symbol in Wiring Diagram	Q'ty/unit						Remarks
					MSZ-			MSY-			
					A24NA	GA24NA	A24NA	GA24NA	A24NA	GA24NA	
1	G	E12 527 970	INSTALLATION PLATE		1	1	1	1	1	1	
2	G	E12 685 234	BOX		1	1	1	1	1	1	
3	G	E12 888 000	FRONT PANEL ASSEMBLY		1	1	1	1	1	1	Including No.5,6
4	G	E12 408 142	CATCH		4	4	4	4	4	4	4 PC/ SET
5	G	E12 685 067	SCREW CAP		3	3	3	3	3	3	3 PC/ SET
6	G	E12 888 010	GRILLE		1	1	1	1	1	1	
7	G	E12 534 100	CATECHIN AIR FILTER		2	2	2	2	2	2	1 PC/ SET
8	G	E12 685 975	CORNER BOX (RIGHT)		1	1	1	1	1	1	
9	G	—	AIR CLEANING FILTER		2	2	2	2	2	2	MAC-2300FT
(10)	G	E12 888 007	LAMP PANEL		1	1	1	1	1	1	

7. INDOOR UNIT HEAT EXCHANGER

11	G	E12 A58 620	INDOOR HEAT EXCHANGER		1	1	1	1	1	1	
12	G	E12 527 666	UNION (GAS)		1	1	1	1	1	1	ø5/8
13	G	E12 151 667	UNION (LIQUID)		1	1	1	1	1	1	ø1/4

MSZ-A24NA MSY-A24NA MSZ-GA24NA MSY-GA24NA

8. INDOOR UNIT FUNCTIONAL PARTS AND ELECTRICAL PARTS



Part numbers that are circled are not shown in the illustration.

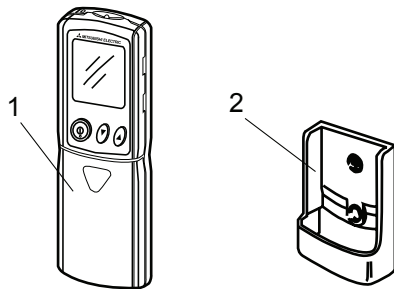
No.	RoHS	Part No.	Part Name	Symbol in Wiring Diagram	Q'ty/unit						Remarks
					MSZ-			MSY-			
					A24NA	GA24NA	A24NA	GA24NA			
1	G	E12 527 302	LINE FLOW FAN		1	1	1	1	1	1	
2	G	E12 408 509	BEARING MOUNT		1	1	1	1	1	1	
3	G	E12 001 504	SLEEVE BEARING		1	1	1	1	1	1	
4	G	E12 408 702	DRAIN HOSE		1	1	1	1	1	1	
5	G	E12 A58 235	NOZZLE		1	1	1	1	1	1	
6	G	E12 685 040	VANE UPPER		1	1	1	1	1	1	
7	G	E12 685 041	VANE LOWER		1	1	1	1	1	1	
8	G	E12 527 034	VANE CRANK SET		1	1	1	1	1	1	
9	G	E12 A58 300	INDOOR FAN MOTOR ASSEMBLY ※1	MF	1	1	1	1	1	1	RC0J56-□□
10	G	E12 448 303	VANE MOTOR (VERTICAL)	MV2	2	2	2	2	2	2	RIGHT & LEFT
11	G	E12 408 303	VANE MOTOR (HORIZONTAL)	MV1	1	1	1	1	1	1	UP & DOWN
12	G	E12 918 333	MOTOR BAND		1	1	1	1	1	1	
13	G	E12 918 329	DISPLAY P.C. BOARD		1	1	1	1	1	1	
14	G	E12 918 468	RECEIVER P.C. BOARD		1	1	1	1	1	1	
15	G	E12 A58 452	ELECTRONIC CONTROL P.C. BOARD ※2		1	1					
	G	E12 A53 452					1	1			
	G	E12 E34 452				1					
	G	E12 E35 452								1	
16	G	E12 527 308	ROOM TEMPERATURE THERMISTOR	RT11	1	1	1	1	1	1	
17	G	E12 A58 375	TERMINAL BLOCK	TB	1	1	1	1	1	1	
18	G	E12 918 307	INDOOR COIL THERMISTOR	RT12, RT13	1	1	1	1	1	1	
(19)	G	E12 528 034	VANE MOTOR SUPPORT SET (RIGHT)		1	1	1	1	1	1	
(20)	G	E12 529 034	VANE MOTOR SUPPORT SET (LEFT)		1	1	1	1	1	1	

※1 Including FAN MOTOR RUBBER MOUNT

※2 Including SW P.C. BOARD

MSZ-A24NA MSY-A24NA MSZ-GA24NA MSY-GA24NA

9. ACCESSORY AND REMOTE CONTROLLER

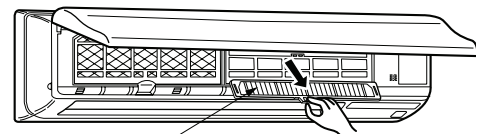


No.	RoHS	Part No.	Part Name	Symbol in Wiring Diagram	Q'ty/unit				Remarks		
					MSZ-		MSY-				
					A24NA	GA24NA	A24NA	GA24NA			
1	G	E12 A58 426	REMOTE CONTROLLER		1					KM06B	
	G	E12 A53 426					1				KM06D
	G	E12 C26 426			1	1					KM07K
	G	E12 C29 426						1	1		KM07M
2	G	E12 527 083	REMOTE CONTROLLER HOLDER		1	1	1	1	1		

10. AIR CLEANING FILTER (ANTI-ALLERGY ENZYME FILTER)

- AIR CLEANING FILTER removes fine dust of 0.01 micron from air by means of static electricity.
- Normal life of AIR CLEANING FILTER is 1 year.
If AIR CLEANING FILTER is to be washed, soak AIR CLEANING FILTER in water (when showing dirt, in lukewarm water) and rinse it delicately, without removing the filter from the frame about once every 3 months.
- Clogged AIR CLEANING FILTER may reduce the air conditioner capacity or cause frost on the air outlet.
- Do not remove or attach AIR CLEANING FILTER during unit operation.

Model	Part No.
MSZ-A24NA MSY-A24NA MSZ-GA24NA MSY-GA24NA	MAC-2300FT



**Air cleaning filter
(Anti-allergy enzyme filter:blue bellows type)**