

**mitsubishi
electric**

SPLIT-TYPE AIR CONDITIONERS

INDOOR UNIT

Revision E:

• Some descriptions have been modified.

OBB683 REVISED EDITION-D is void.

**No. OBB683
REVISED EDITION-E**

PARTS CATALOG

Models

MSZ-FH06NA

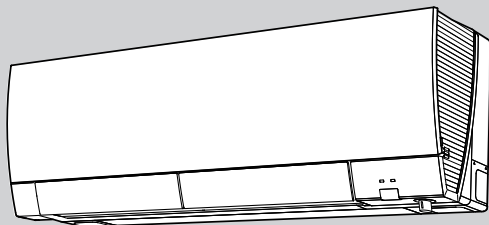
MSZ-FH09NA

MSZ-FH12NA

MSZ-FH15NA

MSZ-FH18NA

MSZ-FH18NA2



CONTENTS

1. SERVICE PARTS LIST..... 2

SERVICE MANUAL (OBH683)

Revision A:
• Parts numbers have been changed.

Revision B:
• MSZ-FH18NA has been added.

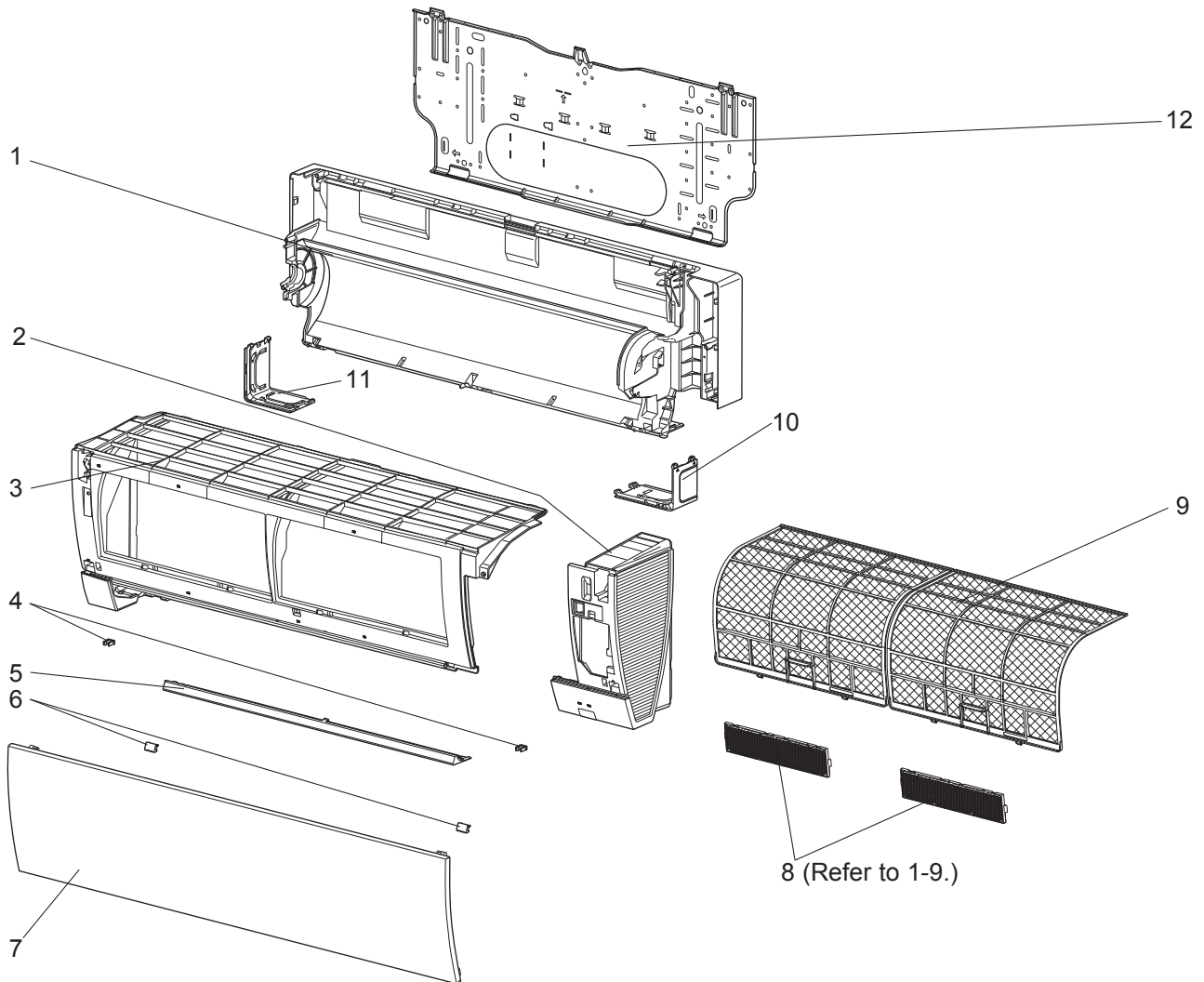
Revision C:
• MSZ-FH06NA and MSZ-FH18NA2 have been added.

Revision D:
• Indoor heat exchanger for MSZ-FH06/09/12/15/18NA and MSZ-FH18NA2 have been changed.

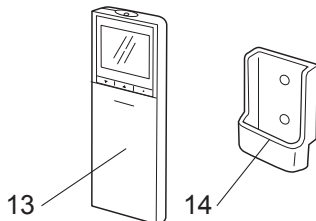
Revision E:
• Some descriptions have been modified.

1 SERVICE PARTS LIST

MSZ-FH06NA MSZ-FH09NA MSZ-FH12NA MSZ-FH15NA MSZ-FH18NA2 1-1 INDOOR UNIT STRUCTURAL PARTS



1-2. ACCESSORY AND REMOTE CONTROLLER



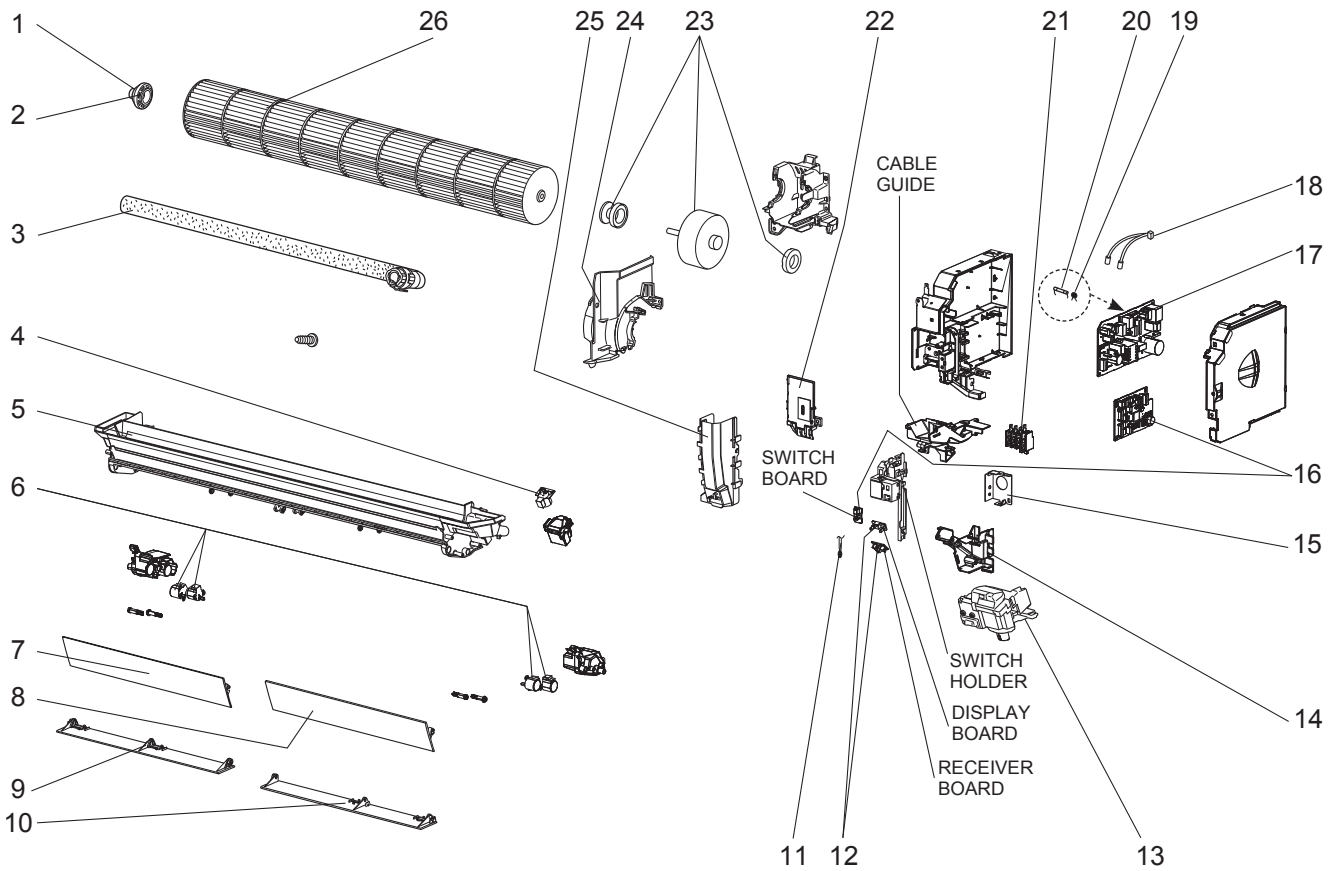
1-1. INDOOR UNIT STRUCTURAL PARTS

No.	Part No.	Part name	Symbol in Wiring Diagram	Q'ty/unit					Remarks
				MSZ-FH					
				06NA	09NA	12NA	15NA	18NA2	
1	E22 J46 234	BOX ASSEMBLY		1	1	1	1	1	
2	E22 T43 085	PANEL RIGHT ASSEMBLY		1	1	1	1	1	
3	E22 T43 086	PANEL LEFT ASSEMBLY		1	1	1	1	1	
4	E22 F95 142	CATCH		2	2	2	2	2	2 PCS/SET
5	E22 J44 717	PANEL UNDER		1	1	1	1	1	
6	E22 J44 067	SCREW CAP		2	2	2	2	2	2 PCS/SET
7	E22 R08 010	FRONT PANEL		1	1	1	1	1	
8	—	AIR CLEANING FILTER (ELECTROSTATIC ANTI- ALLERGY ENZYME FILTER)		1	1	1	1	1	1 PC/SET MAC-2330FT-E
8	—	AIR CLEANING FILTER (DEODORIZING FILTER)		1	1	1	1	1	1 PC/SET MAC-3000FT-E
9	E22 L85 100	AIR FILTER (NANO PLATINUM FILTER)		2	2	2	2	2	1 PC/SET
10	E22 J44 975	CORNER BOX RIGHT		1	1	1	1	1	
11	E22 J44 976	CORNER BOX LEFT		1	1	1	1	1	
12	E22 L85 970	INSTALLATION PLATE		1	1	1	1	1	

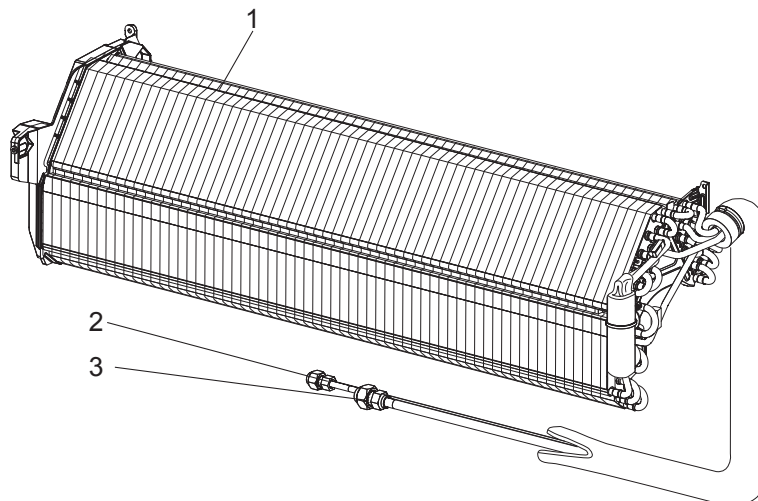
1-2. ACCESSORY AND REMOTE CONTROLLER

No.	Part No.	Part name	Symbol in Wiring Diagram	Q'ty/unit					Remarks
				MSZ-FH					
				06NA	09NA	12NA	15NA	18NA2	
13	E22 T43 426	REMOTE CONTROLLER		1	1	1	1	1	SG15H
14	E22 F28 083	REMOTE CONTROLLER HOLDER		1	1	1	1	1	

MSZ-FH06NA MSZ-FH09NA MSZ-FH12NA MSZ-FH15NA MSZ-FH18NA2
1-3. INDOOR UNIT ELECTRICAL PARTS AND FUNCTIONAL PARTS



1-4. INDOOR UNIT HEAT EXCHANGER



1-3. INDOOR UNIT ELECTRICAL PARTS AND FUNCTIONAL PARTS

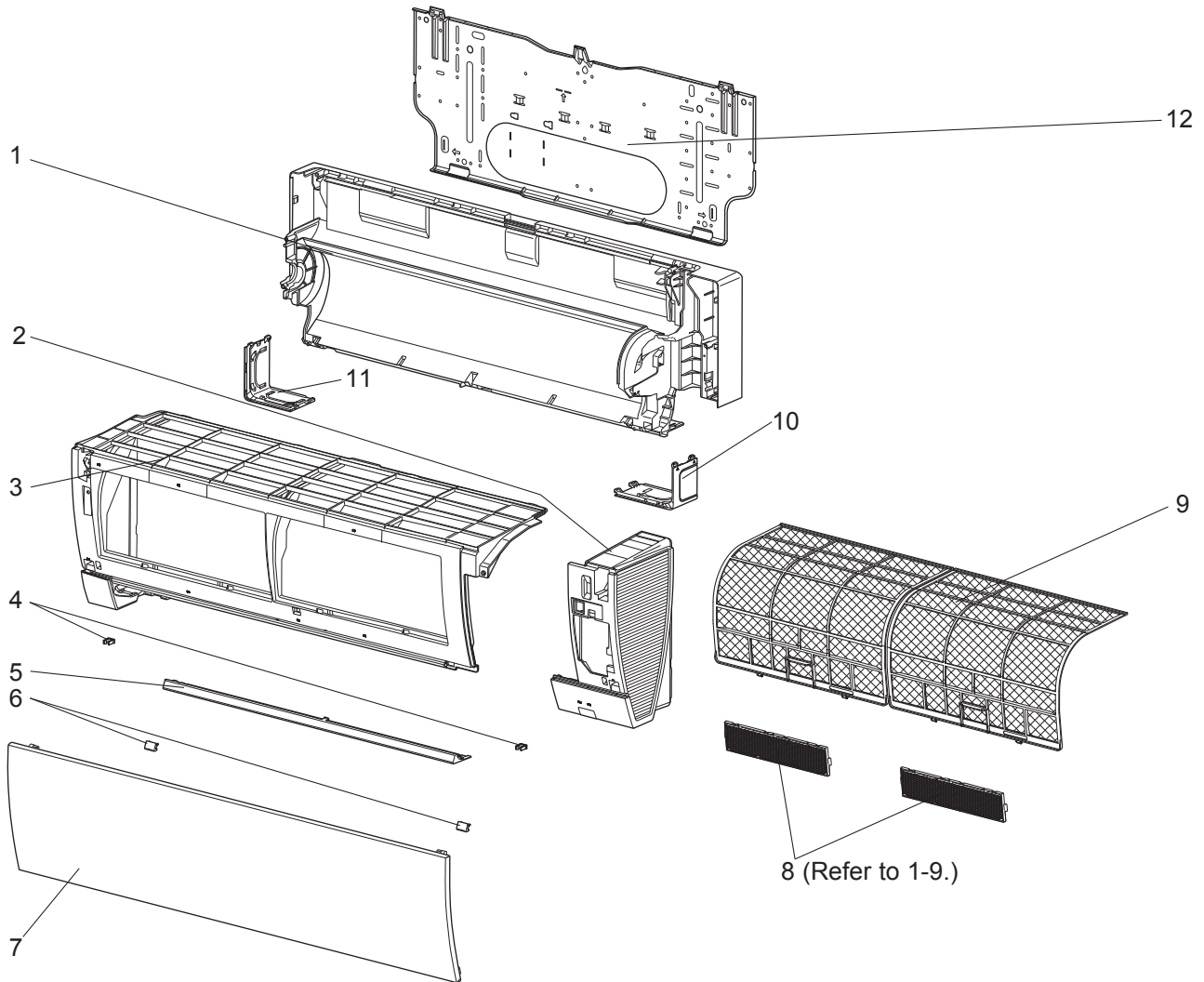
No.	Part No.	Part name	Symbol in Wiring Diagram	Q'ty/unit					Remarks
				MSZ-FH					
				06NA	09NA	12NA	15NA	18NA2	
1	E22 751 509	BEARING MOUNT		1	1	1	1	1	
2	E22 001 504	SLEEVE BEARING		1	1	1	1	1	
3	E22 P72 702	DRAIN HOSE		1	1	1	1	1	
4	E22 J44 303	VANE MOTOR (VERTICAL)	MV2	1	1	1	1	1	RIGHT & LEFT
5	E22 L85 235	NOZZLE ASSEMBLY		1	1	1	1	1	
6	E27 103 303	VANE MOTOR (HORIZONTAL)	MV1	4	4	4	4	4	UP & DOWN, 1 PC/SET
7	E22 J45 040	VANE UPPER (L)		1	1	1	1	1	
8	E22 J44 040	VANE UPPER (R)		1	1	1	1	1	
9	E22 J45 041	VANE LOWER (L)		1	1	1	1	1	
10	E22 J44 041	VANE LOWER (R)		1	1	1	1	1	
11	E22 J44 308	ROOM TEMPERATURE THERMISTOR	RT11	1	1	1	1	1	
12	E22 J44 468	DISPLAY AND RECEIVER P.C. BOARD		1	1	1	1	1	
13	E22 J44 391	DISPLAY AND i-see SENSOR ASSEMBLY		1	1	1	1	1	Includes i-see SENSOR and i-see SENSOR MOTOR (MT).
14	E22 L85 979	CONDUIT COVER		1	1	1	1	1	
15	E22 L85 978	CONDUIT PLATE		1	1	1	1	1	
16	E22 72A 452	ELECTRONIC CONTROL P.C. BOARD		1					Includes SWITCH P.C. BOARD
16	E22 73A 452	ELECTRONIC CONTROL P.C. BOARD			1				Includes SWITCH P.C. BOARD
16	E22 74A 452	ELECTRONIC CONTROL P.C. BOARD				1			Includes SWITCH P.C. BOARD
16	E22 75A 452	ELECTRONIC CONTROL P.C. BOARD					1		Includes SWITCH P.C. BOARD
16	E22 77A 452	ELECTRONIC CONTROL P.C. BOARD						1	Includes SWITCH P.C. BOARD
17	E22 L85 440	POWER P.C. BOARD		1	1	1	1	1	
18	E22 J44 307	INDOOR COIL THERMISTOR	RT12,RT13	1	1	1			
18	E22 L87 307	INDOOR COIL THERMISTOR	RT12,RT13				1	1	
19	E22 B75 385	VARISTOR	NR11	1	1	1	1	1	
20	E22 A49 382	FUSE	F11	1	1	1	1	1	T3.15AL250V
21	E22 T21 375	TERMINAL BLOCK	TB	1	1	1	1	1	
22	E22 L85 784	V.A. CLAMP		1	1	1	1	1	
23	E22 J44 300	INDOOR FAN MOTOR	MF	1	1	1	1	1	RC0J30-□□, Includes FAN MOTOR RUBBER MOUNT (2 PCS/SET)
24	E22 J46 333	MOTOR BAND		1	1	1	1	1	
25	E22 J44 541	WATER CUT		1	1	1	1	1	
26	E22 J44 302	LINE FLOW FAN		1	1	1	1	1	

1-4. INDOOR UNIT HEAT EXCHANGER

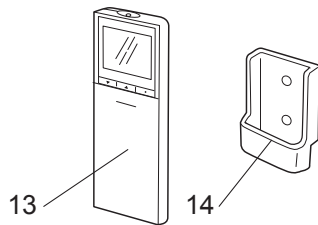
No.	Part No.	Part name	Symbol in Wiring Diagram	Q'ty/unit					Remarks
				MSZ-FH					
				06NA	09NA	12NA	15NA	18NA2	
1	E22 72A 620	INDOOR HEAT EXCHANGER		1	1	1			
	E22 75A 620						1	1	
2	E22 151 667	UNION (LIQUID)		1	1	1	1	1	ø1/4 (ø6.35)
3	E22 815 666	UNION (GAS)		1	1	1			ø3/8 (ø9.52)
3	E22 155 666	UNION (GAS)					1	1	ø1/2 (ø12.7)

MSZ-FH18NA

1-5. INDOOR UNIT STRUCTURAL PARTS



1-6. ACCESSORY AND REMOTE CONTROLLER



1-5. INDOOR UNIT STRUCTURAL PARTS

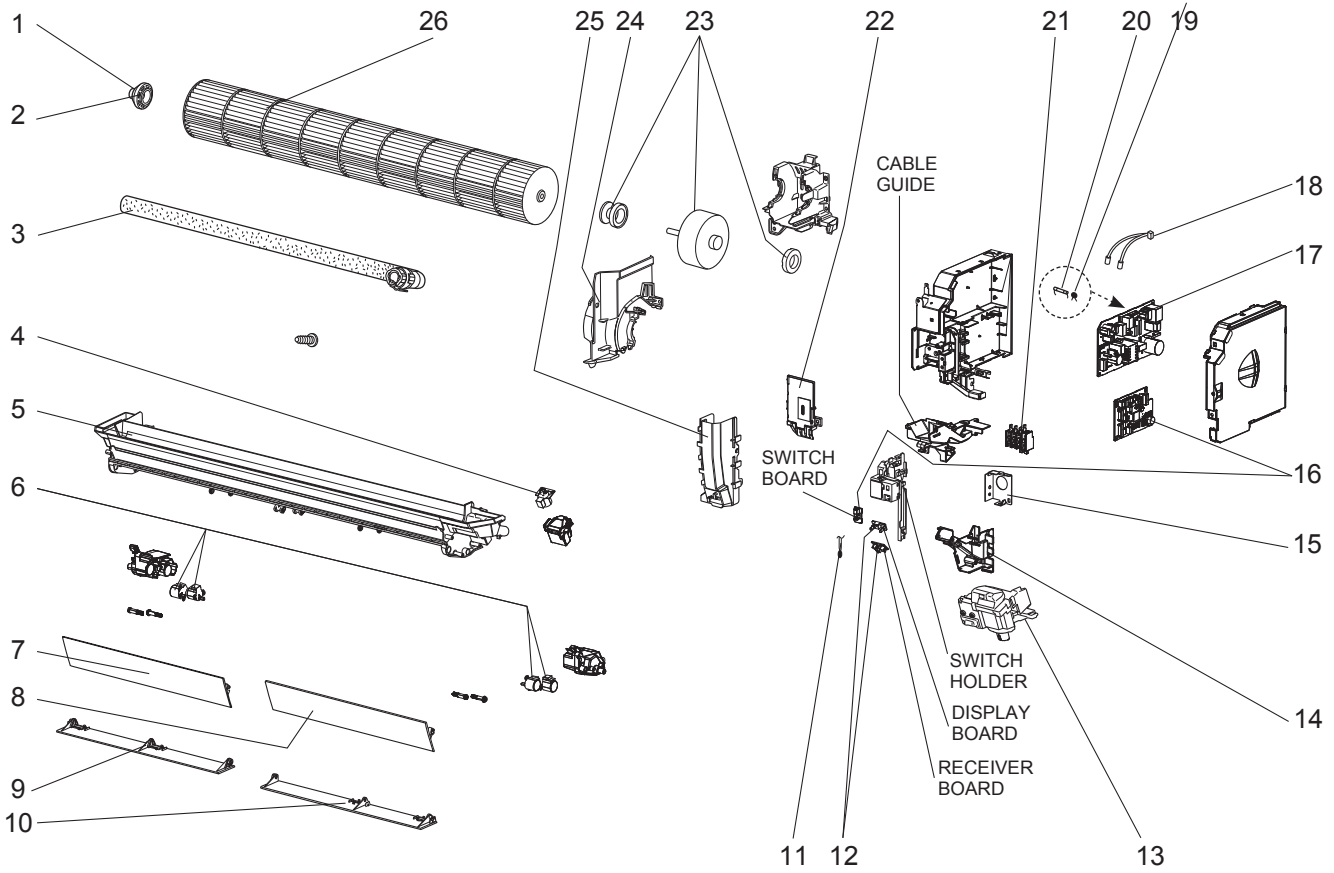
No.	Part No.	Part name	Symbol in Wiring Diagram	Q'ty/unit		Remarks
				MSZ-FH18NA		
1	E12 J46 234	BOX ASSEMBLY		1		
2	E12 T43 085	PANEL RIGHT ASSEMBLY		1		
3	E12 T43 086	PANEL LEFT ASSEMBLY		1		
4	E12 F95 142	CATCH		2	2 PCS/SET	
5	E12 J44 717	PANEL UNDER		1		
6	E12 J44 067	SCREW CAP		2	2 PCS/SET	
7	E12 R08 010	FRONT PANEL		1		
8	—	AIR CLEANING FILTER (ELECTROSTATIC ANTI-ALLERGY ENZYME FILTER)		1	1 PC/SET MAC-2330FT-E	
8	—	AIR CLEANING FILTER (DEODORIZING FILTER)		1	1 PC/SET MAC-3000FT-E	
9	E12 L85 100	AIR FILTER (NANO PLATINUM FILTER)		2	1 PC/SET	
10	E12 J44 975	CORNER BOX RIGHT		1		
11	E12 J44 976	CORNER BOX LEFT		1		
12	E12 L85 970	INSTALLATION PLATE		1		

1-6. ACCESSORY AND REMOTE CONTROLLER

No.	Part No.	Part name	Symbol in Wiring Diagram	Q'ty/unit		Remarks
				MSZ-FH18NA		
13	E12 T43 426	REMOTE CONTROLLER		1	SG15H	
14	E12 F28 083	REMOTE CONTROLLER HOLDER		1		

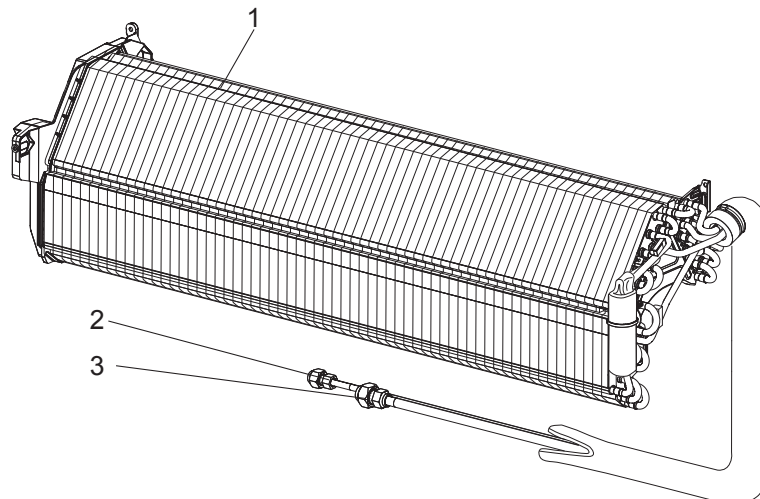
MSZ-FH18NA

1-7. INDOOR UNIT ELECTRICAL PARTS AND FUNCTIONAL PARTS



MSZ-FH18NA

1-8. INDOOR UNIT HEAT EXCHANGER



1-7. INDOOR UNIT ELECTRICAL PARTS AND FUNCTIONAL PARTS

No.	Part No.	Part name	Symbol in Wiring Diagram	Q'ty/unit	Remarks
				MSZ-FH18NA	
1	E12 751 509	BEARING MOUNT		1	
2	E12 001 504	SLEEVE BEARING		1	
3	E12 897 702	DRAIN HOSE		1	
4	E12 J44 303	VANE MOTOR (VERTICAL)	MV2	1	RIGHT & LEFT
5	E12 L85 235	NOZZLE ASSEMBLY		1	
6	E17 103 303	VANE MOTOR (HORIZONTAL)	MV1	4	UP & DOWN, 1 PC/SET
7	E12 J45 040	VANE UPPER (L)		1	
8	E12 J44 040	VANE UPPER (R)		1	
9	E12 J45 041	VANE LOWER (L)		1	
10	E12 J44 041	VANE LOWER (R)		1	
11	E12 J44 308	ROOM TEMPERATURE THERMISTOR	RT11	1	
12	E12 J44 468	DISPLAY AND RECEIVER P.C. BOARD		1	
13	E12 J44 391	DISPLAY AND i-see SENSOR ASSEMBLY		1	Includes i-see SENSOR and i-see SENSOR MOTOR (MT).
14	E12 L85 979	CONDUIT COVER		1	
15	E12 L85 978	CONDUIT PLATE		1	
16	E12 P77 452	ELECTRONIC CONTROL P.C. BOARD		1	Includes SWITCH P.C. BOARD
17	E12 L85 440	POWER P.C. BOARD		1	
18	E12 L87 307	INDOOR COIL THERMISTOR	RT12,RT13	1	
19	E12 B75 385	VARISTOR	NR11	1	
20	E12 A49 382	FUSE	F11	1	T3.15AL250V
21	E12 T21 375	TERMINAL BLOCK	TB	1	
22	E12 L85 784	V.A. CLAMP		1	
23	E12 J44 300	INDOOR FAN MOTOR	MF	1	RC0J30-□□, Includes FAN MOTOR RUBBER MOUNT (2 PCS/SET)
24	E12 J46 333	MOTOR BAND		1	
25	E12 J44 541	WATER CUT		1	
26	E12 J44 302	LINE FLOW FAN		1	

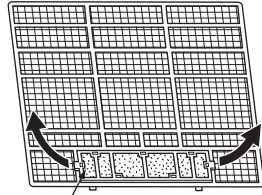
1-8. INDOOR UNIT HEAT EXCHANGER

No.	Part No.	Part name	Symbol in Wiring Diagram	Q'ty/unit	Remarks
				MSZ-FH18NA	
1	E12 75A 620	INDOOR HEAT EXCHANGER		1	
2	E12 151 667	UNION (LIQUID)		1	ø1/4 (ø6.35)
3	E12 155 666	UNION (GAS)		1	ø1/2 (ø12.7)

1-9. AIR CLEANING FILTER

Air cleaning filter replacement

Pull to remove from the air filter



Air cleaning filter

- Electrostatic anti-allergy enzyme filter (Blue)
- Deodorizing filter (Black)

ELECTROSTATIC ANTI-ALLERGY ENZYME FILTER (BLUE)

Every 3 months:

- Remove dirt by a vacuum cleaner.

When dirt cannot be removed by vacuum cleaning:

- Soak the filter and its frame in lukewarm water before rinsing it.
- After washing, dry it well in shade. Install all tabs of the air filter.

Every year:

- Replace it with a new air cleaning filter for best performance.

NOTE 1: Clean the filters regularly for best performance and to reduce power consumption.

NOTE 2: Dirty filters cause condensation in the air conditioner which will contribute to the growth of fungi such as mold. It is therefore recommended to clean air filters every 2 weeks.

Model	Part No.
MSZ-FH06NA MSZ-FH09NA MSZ-FH12NA MSZ-FH15NA MSZ-FH18NA MSZ-FH18NA2	MAC-2330FT-E

DEODORIZING FILTER (BLACK)

Every 3 months:

- Remove dirt by a vacuum cleaner, or soak the framed filter in lukewarm water [86 to 104°F (30 to 40 °C)] for about 15 minutes. Rinse well.
- After washing, dry it well in shade.
- Deodorizing feature recovers by cleaning the filter.

When dirt or smell cannot be removed by cleaning:

- Replace it with a new air cleaning filter.

Model	Part No.
MSZ-FH06NA MSZ-FH09NA MSZ-FH12NA MSZ-FH15NA MSZ-FH18NA MSZ-FH18NA2	MAC-3000FT-E

MITSUBISHI ELECTRIC CORPORATION

HEAD OFFICE: TOKYO BUILDING, 2-7-3, MARUNOUCHI, CHIYODA-KU, TOKYO 100-8310, JAPAN

© Copyright 2014 MITSUBISHI ELECTRIC CORPORATION

Issued: Oct. 2019. No. OBB683 REVISED EDITION-E

Issued: Mar. 2018. No. OBB683 REVISED EDITION-D

Issued: Oct. 2015. No. OBB683 REVISED EDITION-C

Issued: Dec. 2014. No. OBB683 REVISED EDITION-B

Issued: Apr. 2014. No. OBB683 REVISED EDITION-A

Published: Feb. 2014. No. OBB683

Made in Japan

Specifications are subject to change without notice.