

# PARTS CATALOG

## Series SLZ Ceiling Cassettes R410A

Indoor unit  
[Model Name]

[Service Ref.]

SLZ-KA09NA

**SLZ-KA09NA.TH**

**SLZ-KA09NAR1.TH**

SLZ-KA12NA

**SLZ-KA12NA.TH**

**SLZ-KA12NAR1.TH**

SLZ-KA15NA

**SLZ-KA15NA.TH**

**SLZ-KA15NAR1.TH**

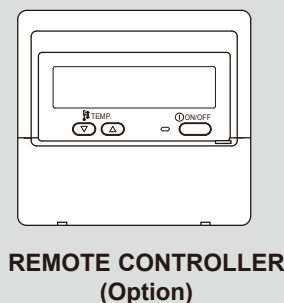
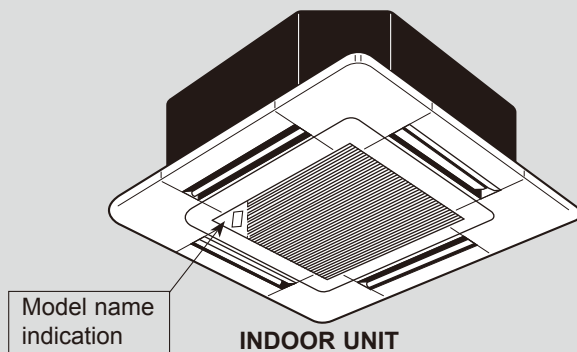
Revision:

- Updated some parts numbers in "1. RoHS PARTS LIST" in REVISED EDITION-B.
- Some descriptions have been modified.

- Please void OCB487 REVISED EDITION-A.

Notes:

- RoHS compliant products have <G> mark on the spec name plate.
- For servicing RoHS compliant products, refer to the RoHS Parts List.



### CONTENTS

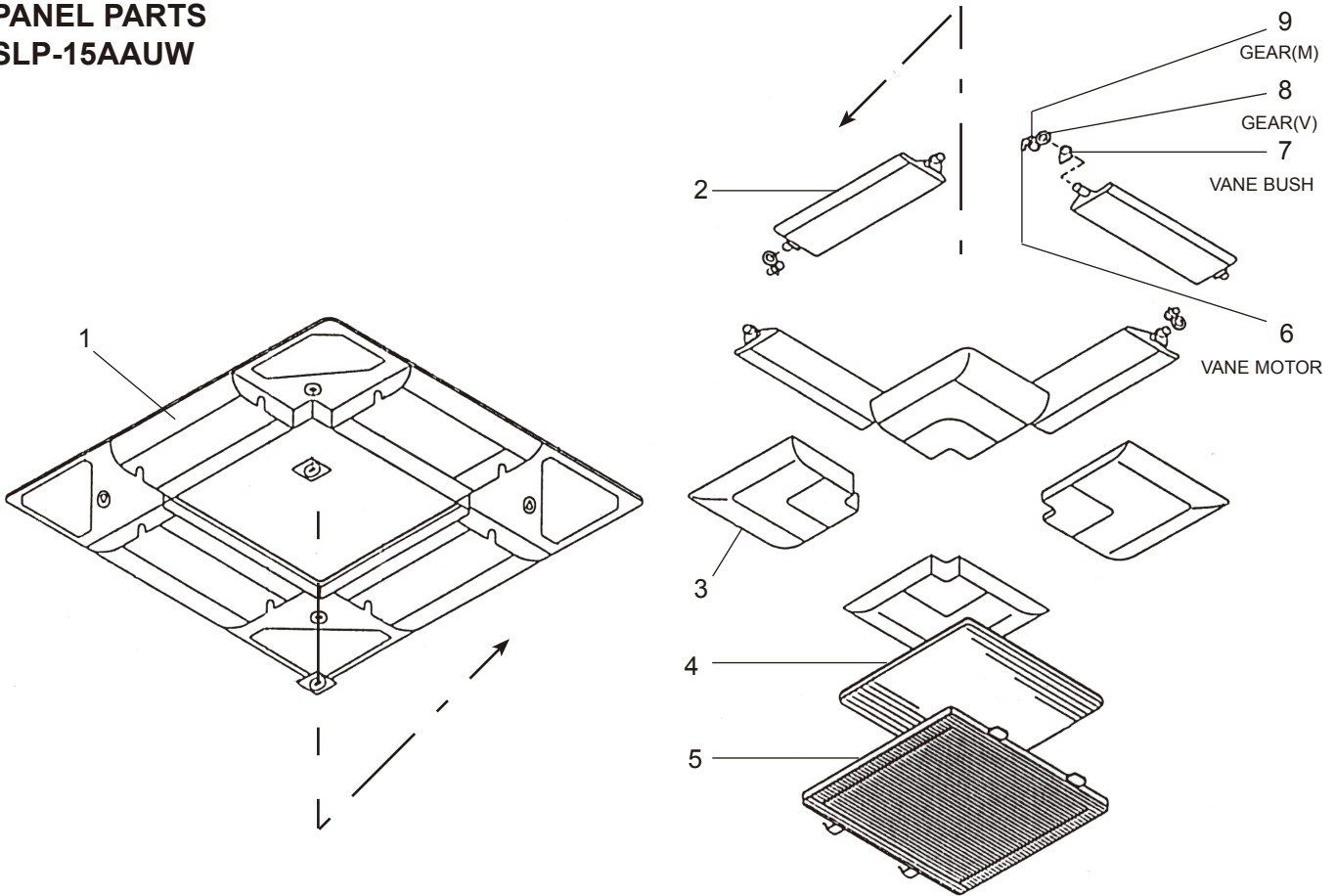
1. RoHS PARTS LIST..... 2

**SERVICE MANUAL (OCH487)**

# 1

# RoHS PARTS LIST

## PANEL PARTS SLP-15AAUW



No.	RoHS	Parts No.	Parts name	Specification	Q'ty/unit		Remarks (Drawing No.)	Wiring Diagram Symbol	Recom- mended Q'ty
					SLP-15	AAUW			
1	G	E17 425 003	AIR OUTLET GRILLE		1		including H2	H2	
2	G	E17 425 037	AUTO VANE		4				
3	G	E17 423 975	CORNER PANEL		4				
4	G	E17 103 100	AIR FILTER		1				
5	G	E17 423 010	INTAKE GRILLE		1				
6	G	E17 103 303	VANE MOTOR		4			MV	
7	G	E17 425 044	VANE BUSH		8				
8	G	E17 103 031	GEAR (V)		4				
9	G	E17 103 032	GEAR (M)		4				

# RoHS PARTS LIST

## ELECTRICAL PARTS

SLZ-KA09NA.TH

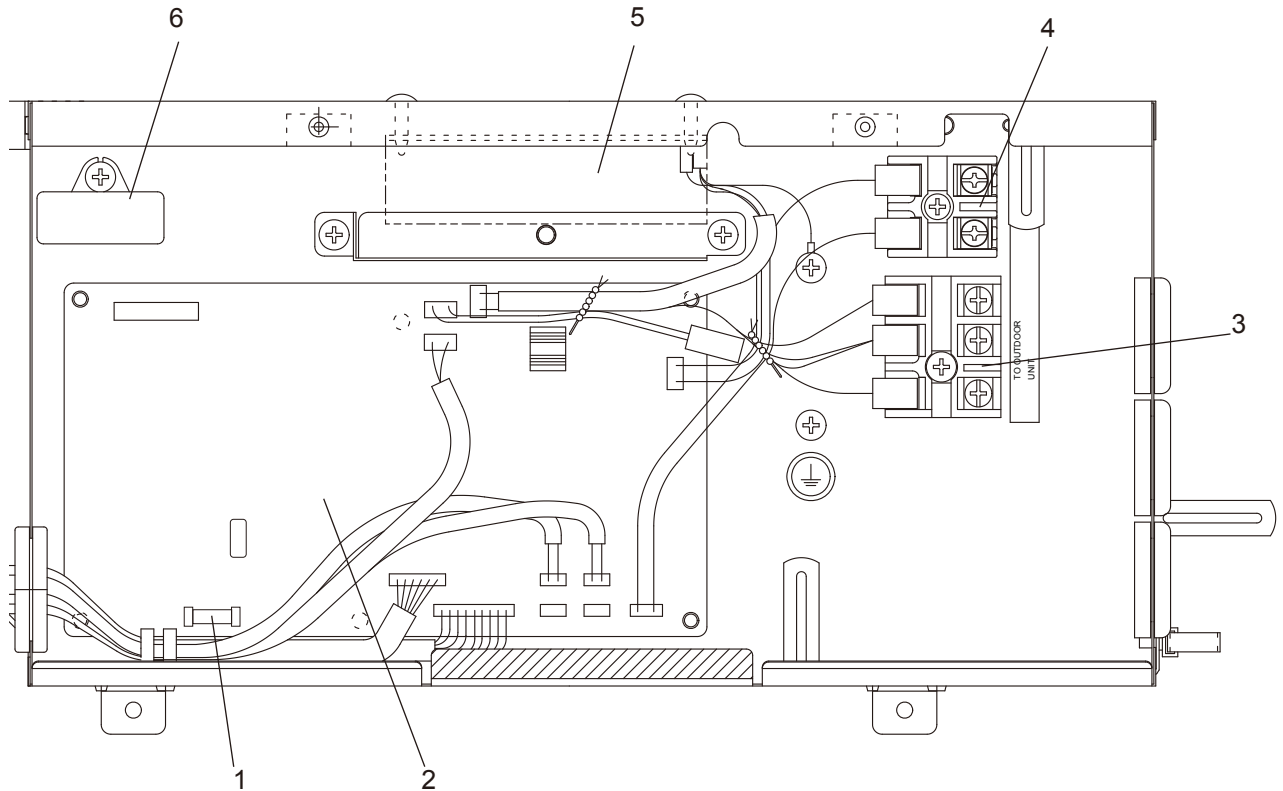
SLZ-KA09NAR1.TH

SLZ-KA12NA.TH

SLZ-KA12NAR1.TH

SLZ-KA15NA.TH

SLZ-KA15NAR1.TH

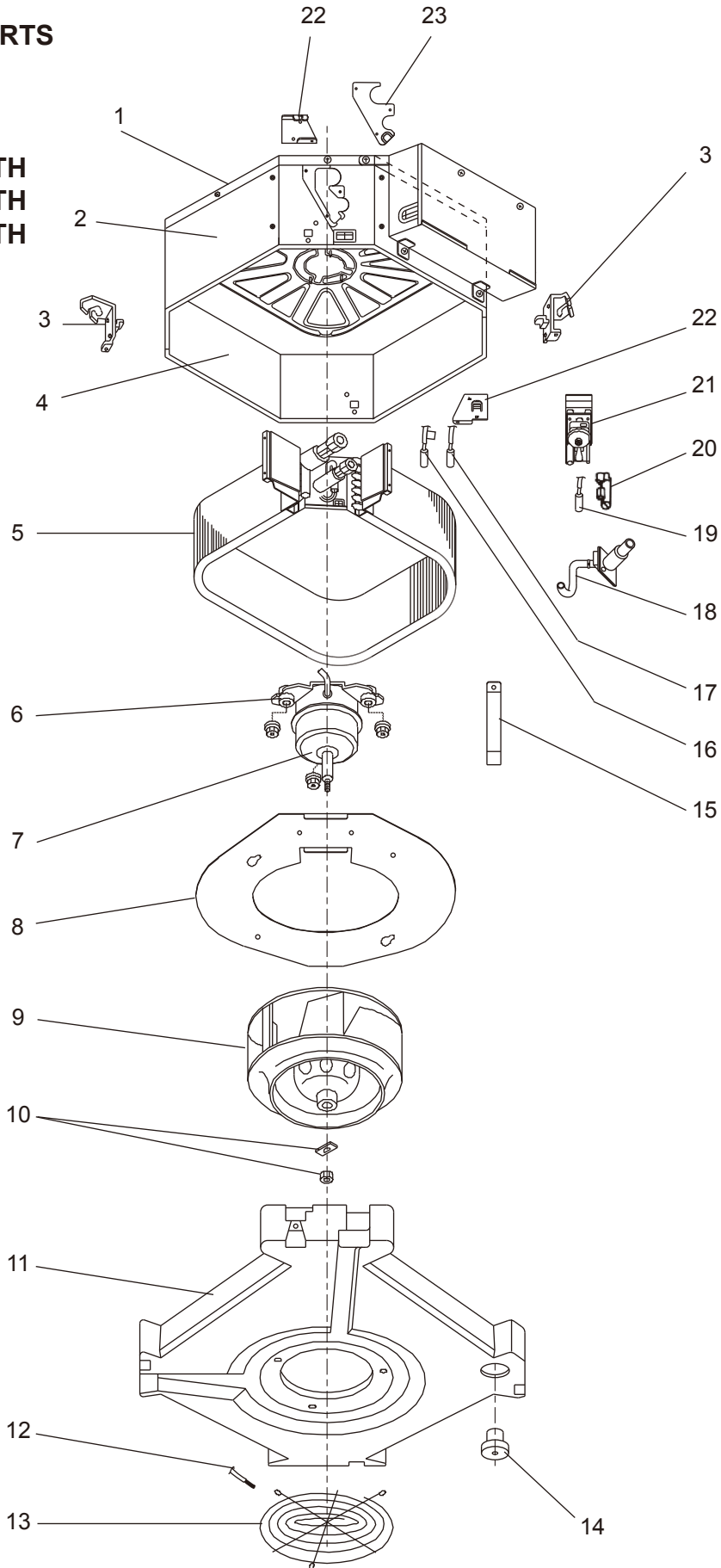


No.	RoHS	Parts No.	Parts name	Specification	Q'ty/unit		Remarks (Drawing No.)	Wiring Diagram Symbol	Recom- mended Q'ty
					SLZ-KA09/12/15 NA(R1).TH				
1	G	E17 250 382	FUSE	250V 6.3A	1			FUSE	
2	G	E17 C58 447	INDOOR CONTROLLER BOARD		1			I.B	
3	G	E17 162 375	TERMINAL BLOCK	3P(S1,S2,S3)	1			TB4	
4	G	E17 156 375	TERMINAL BLOCK	2P(1,2)	1			TB15	
5	G	E17 852 440	INDOOR POWER BOARD		1			P.B	
6	G	E12 542 351	INDOOR FAN CAPACITOR	1.5 $\mu$ F/ 440VAC	1			C1	

# RoHS PARTS LIST

## FUNCTIONAL PARTS

SLZ-KA09NA.TH  
SLZ-KA12NA.TH  
SLZ-KA15NA.TH  
SLZ-KA09NAR1.TH  
SLZ-KA12NAR1.TH  
SLZ-KA15NAR1.TH



# RoHS PARTS LIST

No.	RoHS	Parts No.	Parts name	Specification	Q'ty/unit						Remarks (Drawing No.)	Wiring Diagram Symbol	Recom- mended Q'ty
					SLZ-KA								
					09	12	15	09	12	15			
					NA.TH			NAR1.TH					
1	G	E17 323 290	BASE		1	1	1	1	1	1			
2	G	E17 323 124	DRUM-1		1	1	1	1	1	1			
3	G	E17 323 808	LEG-1		2	2	2	2	2	2			
4	G	E17 324 124	DRUM-2		1	1	1	1	1	1			
5	G	E17 608 620	INDOOR HEAT EXCHANGER		1			1					
	G	E17 609 620	INDOOR HEAT EXCHANGER			1			1				
	G	E17 610 620	INDOOR HEAT EXCHANGER				1			1			
6	G	E17 104 105	MOTOR MOUNT		3	3	3	3	3	3			
7	G	E17 323 300	INDOOR FAN MOTOR	PK6N15-LA	1			1				MF	
	G	E17 324 300	INDOOR FAN MOTOR	PK6N20-LA		1			1			MF	
	G	E17 325 300	INDOOR FAN MOTOR	PK6N21-LA			1			1		MF	
8	G	E17 104 816	FLAT PLATE		1	1	1	1	1	1			
9	G	E17 766 502	TURBO FAN		1	1	1	1	1	1			
10	G	E17 766 097	SPL WASHER		1	1	1	1	1	1			
11	G	E17 323 700	DRAIN PAN		1	1	1	1	1	1			
12	G	E17 154 308	ROOM TEMPERATURE THERMISTOR		1	1	1	1	1	1		TH1	
13	G	E17 104 520	FAN GUARD		1	1	1	1	1	1			
14	G	E17 104 524	DRAIN PLUG		1	1	1	1	1	1			
15	G	E17 104 648	COIL SUPPORT		1	1	1	1	1	1			
16	G	E17 154 309	CONDENSER / EVAPORATOR TEMPERATURE THERMISTOR		1	1	1	1	1	1		TH5	
17	G	E17 154 307	PIPE TEMPERATURE THERMISTOR / LIQUID		1	1	1	1	1	1		TH2	
18	G	E17 323 702	DRAIN HOSE		1	1	1	1	1	1			
19	G	E17 104 266	DRAIN SENSOR		1	1	1	1	1	1		DS	
20	G	E17 104 241	SENSOR HOLDER		1	1	1	1	1	1			
21	G	E17 104 355	DRAIN PUMP		1	1	1	1	1	1		DP	
22	G	E17 323 809	LEG-2		2	2	2	2	2	2			
23	G	E17 323 006	COVER (DRUM)		1	1	1	1	1	1			

**Mr. SLIM**

**MITSUBISHI ELECTRIC CORPORATION**

HEAD OFFICE : TOKYO BLDG., 2-7-3, MARUNOUCHI, CHIYODA-KU, TOKYO 100-8310, JAPAN

©Copyright 2010 MITSUBISHI ELECTRIC CORPORATION  
Distributed in Jun. 2015 No.OCB487 REVISED EDITION-B  
Distributed in Dec. 2011 No.OCB487 REVISED EDITION-A  
Distributed in Nov. 2010 No.OCB487  
Made in Japan

New publication, effective Jun. 2015  
Specifications are subject to change without notice.