



**P-SERIES**

Air Conditioners

**PVA-A12, 18, 24, 30, 36, 42AA\***

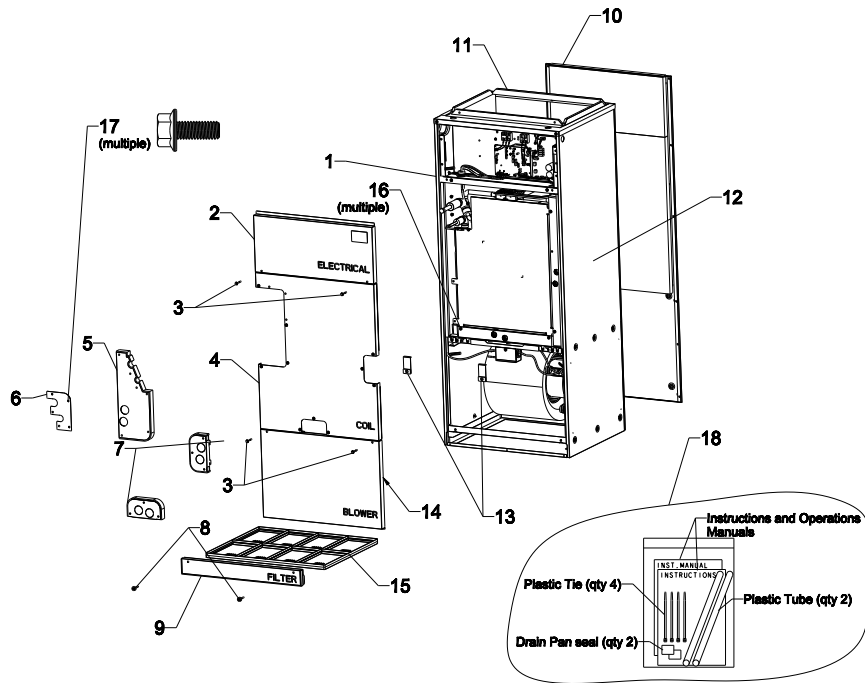
---

SERVICE PARTS MANUAL

## Table of Contents

1. EXTERNAL PARTS .....	3
2. HEX ASSEMBLY PARTS .....	4
3. BLOWER PARTS .....	5
4. CONTROL BOX PARTS .....	6

# 1. EXTERNAL PARTS

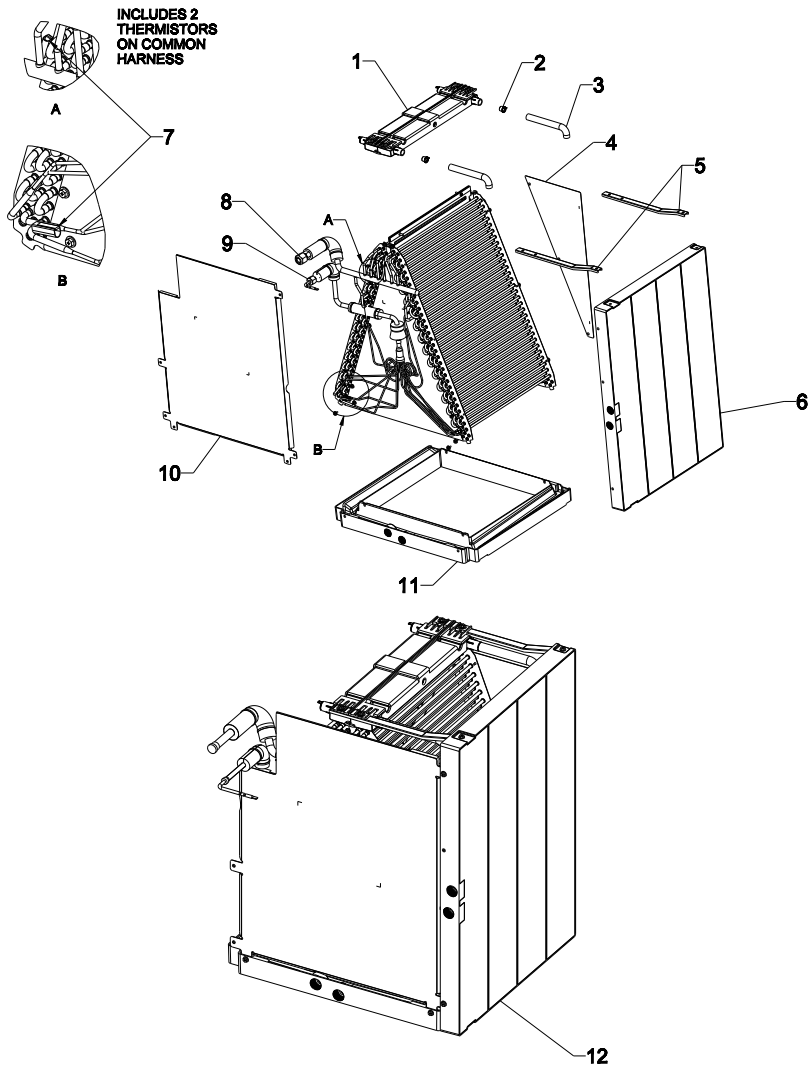


No.	Service Part No.	Part Name	Symbol in Wiring Diagram	Quantity per unit						Remarks
				PVA-A						
				12AA*	18AA*	24AA*	30AA*	36AA*	42AA*	
1	U41 B03 641	CABINET LEFT S	CN20	1	1					BLACK ZAM*
	U41 B02 641	CABINET LEFT M				1	1			BLACK ZAM**
	U41 B01 641	CABINET LEFT L						1	1	BLACK ZAM*
2	U41 B01 638	FRONT PANEL ELECTRICAL S		1	1					BLACK ZAM
	U41 B02 638	FRONT PANEL ELECTRICAL M				1	1			BLACK ZAM
	U41 B03 638	FRONT PANEL ELECTRICAL L						1	1	BLACK ZAM
3	U41 002 087	SCREW MSX40		4	4	4	4	4	4	BLACK ZAM
	U41 B01 639	FRONT PANEL HEX S		1	1					BLACK ZAM
4	U41 B02 639	FRONT PANEL HEX M				1	1			BLACK ZAM
	U41 B03 639	FRONT PANEL HEX L						1	1	BLACK ZAM
	U41 B01 635	PIPE/DRAIN PANEL S		1	1					BLACK ZAM
5	U41 B02 635	PIPE/DRAIN PANEL M				1	1			BLACK ZAM
	U41 B03 635	PIPE/DRAIN PANEL L						1	1	BLACK ZAM
6	U41 B04 635	PIPE PANEL		1	1	1	1	1	1	BLACK ZAM
7	U41 B05 635	DRAIN PANEL		2	2	2	2	2	2	BLACK ZAM
8	U41 001 087	PLASTIC THUMBSCREW		2	2	2	2	2	2	MSX35
9	U41 B01 636	FRONT PANEL FILTER S		1	1					BLACK ZAM
	U41 B02 636	FRONT PANEL FILTER M				1	1			BLACK ZAM
	U41 B03 636	FRONT PANEL FILTER L						1	1	BLACK ZAM
10	U41 B03 640	CABINET BACK S		1	1					BLACK ZAM
	U41 B02 640	CABINET BACK M				1	1			BLACK ZAM
	U41 B01 640	CABINET BACK L						1	1	BLACK ZAM
11	U41 B03 643	TOP PANEL S		1	1					BLACK ZAM
	U41 B02 643	TOP PANEL M				1	1			BLACK ZAM
	U41 B01 643	TOP PANEL L						1	1	BLACK ZAM
12	U41 B03 642	CABINET RIGHT S	CNMF	1	1					BLACK ZAM**
	U41 B02 642	CABINET RIGHT M				1	1			BLACK ZAM**
	U41 B01 642	CABINET RIGHT L						1	1	BLACK ZAM**
13	U41 001 086	COIL BRACKET		1	1	2	2	2	2	
14	U41 B01 637	FRONT PANEL BLOWER S		1	1					BLACK ZAM
	U41 B02 637	FRONT PANEL BLOWER M				1	1			BLACK ZAM
	U41 B03 637	FRONT PANEL BLOWER L						1	1	BLACK ZAM
15	U41 004 500	FILTER-PLASTIC S		1	1					16X20
	U41 005 500	FILTER-PLASTIC M				1	1			20X20
	U41 006 500	FILTER-PLASTIC L						1	1	24X20
16	U41 008 087	SCREW H 5X10 KNURLED (10 pack)		46	46	46	46	46	46	pack of 10 screws
17	U41 009 087	SCREW M5X12 BLACK (10 pack)		52	52	52	52	52	52	pack of 10 screws
18	U41 008 818	ACCESSORY BAG		1	1	1	1	1	1	

\* The return air thermistor adapter harness is pre-installed in the Cabinet Left panel. See Blower Parts section for Thermistor. See Control Box Parts for adapter harness kit.

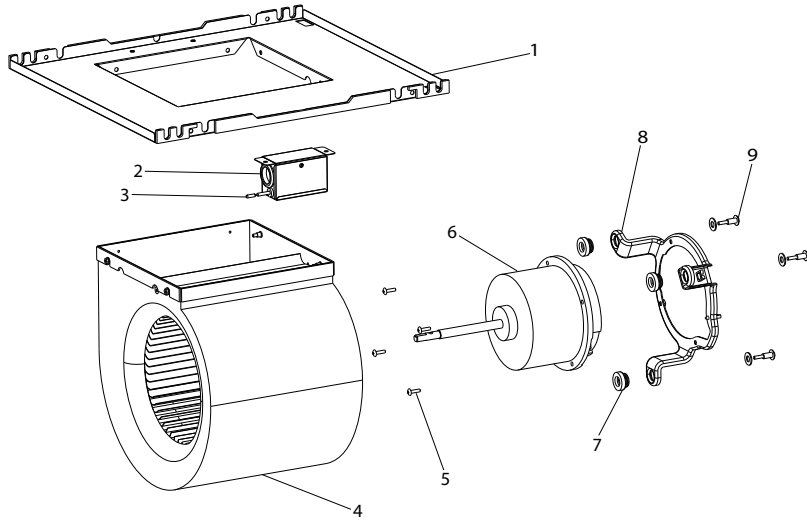
\*\* The motor harness is pre-installed in the Cabinet Right panel.

# 2. HEX ASSEMBLY PARTS



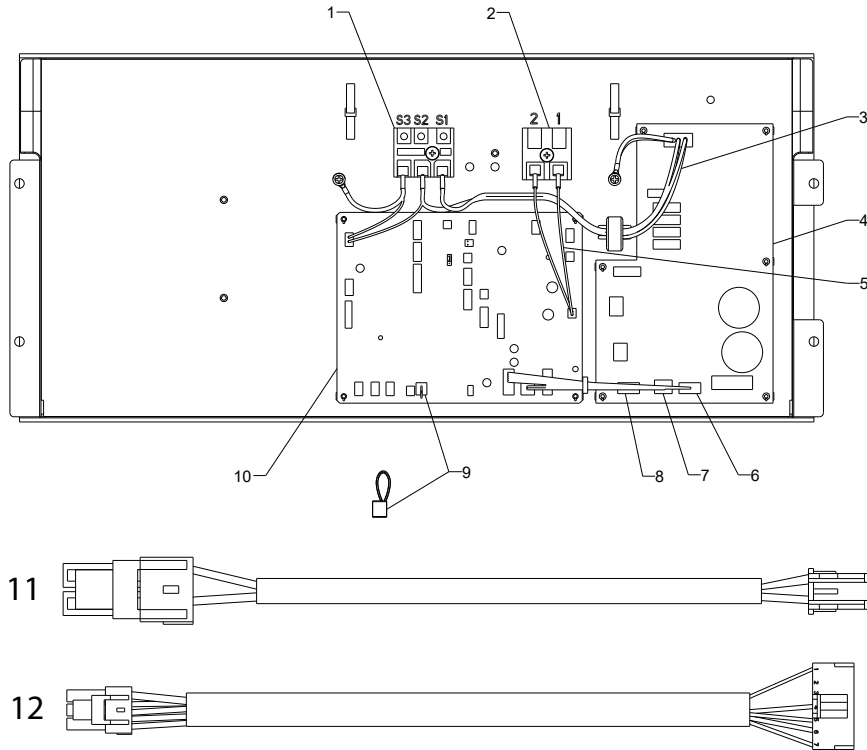
No.	Service Part No.	Part Name	Symbol in Wiring Diagram	Quantity per unit						Remarks
				PVA-A						
				12AA*	18AA*	24AA*	30AA*	36AA*	42AA*	
1	U41 012 529	DRAIN PAN ASSY TOP		2	2	2	2	2	2	
2	U41 002 558	PLUG-TOP DRAIN PAN		4	4	4	4	4	4	
3	U41 001 525	HOSE-TOP DRAIN PAN		2	2	2	2	2	2	
4	U41 001 668	PLATE GUIDE REAR S		1	1					
	U41 002 668	PLATE GUIDE REAR M				1	1			
	U41 003 668	PLATE GUIDE REAR L						1	1	
5	U41 001 662	SIDE PAN BRACKET S		1	1					
	U41 002 662	SIDE PAN BRACKET M				2	2			
	U41 003 662	SIDE PAN BRACKET L						2	2	
6	U41 009 529	DRAIN PAN ASSY SIDE S		1	1					
	U41 010 529	DRAIN PAN ASSY SIDE M				1	1			
	U41 011 529	DRAIN PAN ASSY SIDE L						1	1	
7	U41 003 200	THERMISTOR LIQUID/GAS PIPE SENSOR ASSY	CN44	1	1					TH2/TH5
	U41 004 200	THERMISTOR LIQUID/GAS PIPE SENSOR ASSY				1	1			
	U41 005 200	THERMISTOR LIQUID/GAS PIPE SENSOR ASSY						1	1	
8	U41 003 122	NUT FLARE 1/2F		1	1					
	U41 001 122	NUT FLARE 5/8				1	1	1	1	
9	U41 004 122	NUT FLARE 1/4		1	1					
	U41 002 122	NUT FLARE 3/8				1	1	1	1	
	U41 004 668	PLATE GUIDE FRONT S		1	1					
10	U41 005 668	PLATE GUIDE FRONT M				1	1			
	U41 006 668	PLATE GUIDE FRONT L						1	1	
	U41 006 529	DRAIN PAN ASSY LOWER S		1	1					
11	U41 007 529	DRAIN PAN ASSY LOWER M				1	1			
	U41 008 529	DRAIN PAN ASSY LOWER L						1	1	
	U41 018 480	HEAT EXCHANGER A12		1	1					Includes all hex parts
12	U41 016 480	HEAT EXCHANGER A30				1	1			Includes all hex parts
	U41 017 480	HEAT EXCHANGER A42						1	1	Includes all hex parts

# 3. BLOWER PARTS



No.	Service Part No.	Part Name	Symbol in Wiring Diagram	Quantity per unit						Remarks
				PVA-A						
				12AA*	18AA*	24AA*	30AA*	36AA*	42AA*	
1	U41 015 638	FRAME FAN S		1	1					
	U41 016 638	FRAME FAN M				1	1			
	U41 017 638	FRAME FAN L						1	1	
2	U41 002 104	BUSHING SRB-R-2		1	1	1	1	1	1	
3	U41 001 287	THERMISTOR RETURN AIR	CN20	1	1	1	1	1	1	TH1
4	U41 008 129	FAN CASE S		1	1					
	U41 009 129	FAN CASE M				1	1			
	U41 010 129	FAN CASE L						1	1	
5	U41 005 087	BOLT MOTOR (S, M)		4	4	4	4			
	U41 006 087	BOLT MOTOR (L)						4	4	
6	U41 003 128	BLOWER MOTOR S		1	1					
	U41 004 128	BLOWER MOTOR M				1	1			
	U41 005 128	BLOWER MOTOR L						1	1	
7	U41 103 104	RUBBER GROMMET						3	3	
8	U41 001 130	MOTOR BRACKET S M		1	1	1	1			
	U41 002 130	MOTOR BRACKET L						1	1	
9	U41 003 130	MOTOR BRACKET BOLT KIT		3	3	3	3			
	U41 003 087	SCREW SPECIAL						3	3	

# 4. CONTROL BOX PARTS



No.	Service Part No.	Part Name	Symbol in Wiring Diagram	Quantity per unit						Remarks
				PVA-A						
				12AA*	18AA*	24AA*	30AA*	36AA*	42AA*	
1	U41 004 246	TERMINAL BLOCK ASSY	TB4	1	1	1	1	1	1	S1, S2, S3
2	U41 003 246	TERMINAL BLOCK	TB15	1	1	1	1	1	1	1, 2
3	U41 011 392	LEAD WIRE ASSY CND (S)	CND &	1	1	1	1	1	1	to Terminal Block
	U41 012 392	LEAD WIRE ASSY CND (L)	CN3C					1	1	S1, S2, S3
4	U41 005 280	POWER BOARD		1	1					
	U41 006 280					1	1			
	U41 006 281							1	1	
5	U41 013 392	LEAD WIRE ASSY CN22	CN22	1	1	1	1	1	1	to Terminal Block 1, 2
6	U71 019 392	LEAD WIRE ASSY XA	CNXA2	1	1	1	1	1	1	to CNXA1
7	U71 020 392	LEAD WIRE ASSY XC	CNXC2	1	1	1	1	1	1	to CNXC1
8	U41 003 392	LEAD WIRE ASSY XB	CNXB2	1	1	1	1	1	1	to CNXB1
9	U41 001 G08	JUMPER CONNECTOR	CN4F	1	1	1	1	1	1	
10	U41 009 280	CONTROL BOARD		1	1	1	1	1	1	Includes Terminal Block (item No. 2)
11	U41 004 392	RETURN AIR THERMISTOR ADAPTER HARNESS KIT	CN20	1	1	1	1	1	1	Does not include thermistor assembly. See HEX Parts for THERMISTOR RETURN AIR  (Harness also pre-installed in Cabinet Left Panel. See External parts)
12	U41 026 392	MOTOR POWER HARNESS KIT	CNMF	1	1	1	1	1	1	(Harness also pre-installed in Cabinet Right Panel. See External parts)

---

This product is designed and intended for use in the residential, commercial and light-industrial environment.

**mitsubishi** **MITSUBISHI ELECTRIC US, INC.**

[www.mitsubishielectric-usa.com](http://www.mitsubishielectric-usa.com)

Toll Free: 800-433-4822