

# SERVICE PARTS LIST FOR MITSUBISHI ELECTRIC PACKAGED AIR-CONDITIONERS

Series : PURY-P·T(S)NU-A(-BS)  
PURY-P·Y(S)NU-A(-BS)

For use with the R410A

REVISED

July 2020

BWE01824A

## INDEX

PURY-P72TNU-A(-BS)  
PURY-P96TNU-A(-BS)  
PURY-P120TNU-A(-BS)  
PURY-P144TNU-A(-BS)  
PURY-P168TNU-A(-BS)  
PURY-P72YNU-A(-BS)  
PURY-P96YNU-A(-BS)  
PURY-P120YNU-A(-BS)  
PURY-P144YNU-A(-BS)  
PURY-P168YNU-A(-BS)

Part information update day : 2020/07/17



Please change the old catalog (issued Mar. 2019, No.BWE018240) to this new catalog.  
Content of revision : Some of parts are changed.

## The Package name list

**PURY-P192TSNU-A(-BS)** [PURY-P96TNU-A(-BS)+PURY-P96TNU-A(-BS)]

**PURY-P216TSNU-A(-BS)** [PURY-P96TNU-A(-BS)+PURY-P120TNU-A(-BS)]

**PURY-P240TSNU-A(-BS)** [PURY-P120TNU-A(-BS)+PURY-P120TNU-A(-BS)]

**PURY-P264TSNU-A(-BS)** [PURY-P120TNU-A(-BS)+PURY-P144TNU-A(-BS)]

**PURY-P288TSNU-A(-BS)** [PURY-P144TNU-A(-BS)+PURY-P144TNU-A(-BS)]

**PURY-P312TSNU-A(-BS)** [PURY-P144TNU-A(-BS)+PURY-P168TNU-A(-BS)]

**PURY-P336TSNU-A(-BS)** [PURY-P168TNU-A(-BS)+PURY-P168TNU-A(-BS)]

**PURY-P192YSNU-A(-BS)** [PURY-P96YNU-A(-BS)+PURY-P96YNU-A(-BS)]

**PURY-P216YSNU-A(-BS)** [PURY-P96YNU-A(-BS)+PURY-P120YNU-A(-BS)]

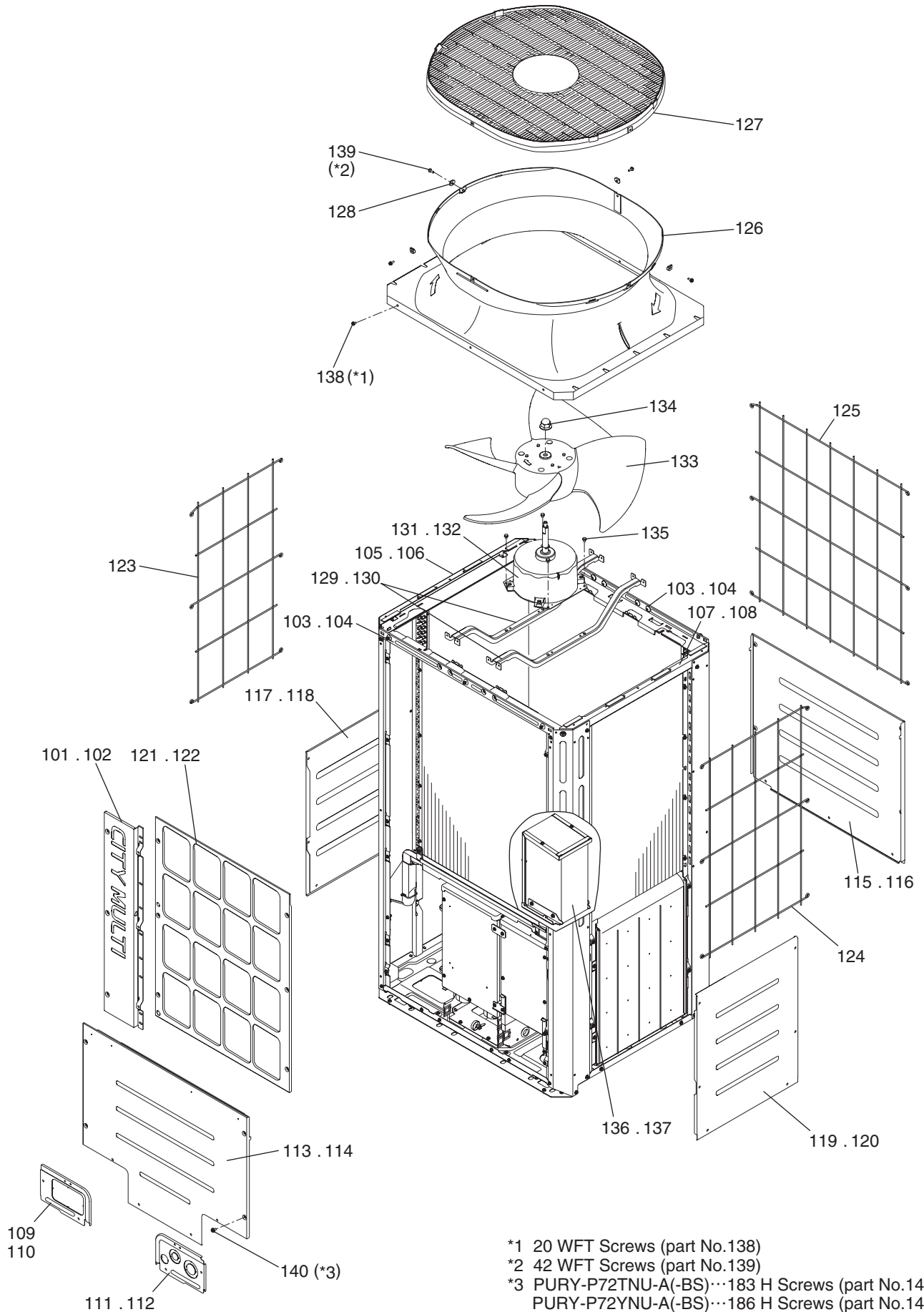
**PURY-P240YSNU-A(-BS)** [PURY-P120YNU-A(-BS)+PURY-P120YNU-A(-BS)]

**PURY-P264YSNU-A(-BS)** [PURY-P120YNU-A(-BS)+PURY-P144YNU-A(-BS)]

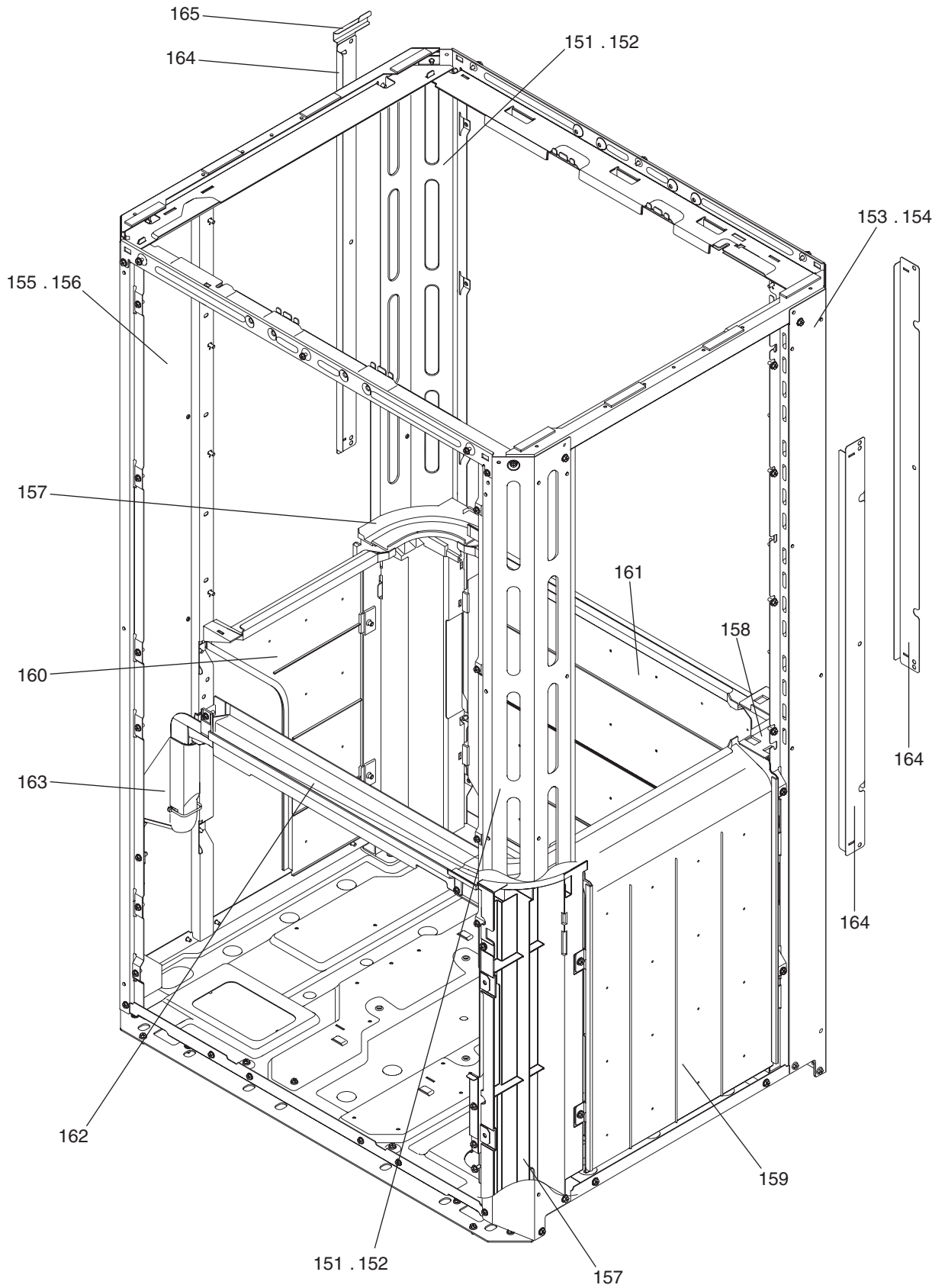
**PURY-P288YSNU-A(-BS)** [PURY-P144YNU-A(-BS)+PURY-P144YNU-A(-BS)]

**PURY-P312YSNU-A(-BS)** [PURY-P144YNU-A(-BS)+PURY-P168YNU-A(-BS)]

**PURY-P336YSNU-A(-BS)** [PURY-P168YNU-A(-BS)+PURY-P168YNU-A(-BS)]



No.	Part No.	Part Name	Spec.	PURY-P72TNU-A	PURY-P72TNU-A-BS	PURY-P72YNU-A	PURY-P72YNU-A-BS		Dwg. No.	Notes for the models	Revision info.
101	R61 043 626	Pillar LF2		1	1				KJ00F066G09		
102	R61 044 626	Pillar LF2	BS		1	1			KJ00F066G10		
103	R61 130 162	Frame assy FB		2	2				KL00G707G03		
104	R61 131 162	Frame assy FB	BS		2	2			KL00G707G04		
105	R61 160 162	Frame assy L		1	1				KB00C02PG03		
106	R61 161 162	Frame assy L	BS		1	1			KB00C02PG04		
107	R61 132 162	Frame assy R		1	1				KS00L332G11		
108	R61 133 162	Frame assy R	BS		1	1			KS00L332G12		
109	R61 218 690	Piping cover		1	1				KJ00F069G05		
110	R61 219 690	Piping cover	BS		1	1			KJ00F069G06		
111	R61 250 690	Wiring cover		1	1				KJ00K050G03		
112	R61 251 690	Wiring cover	BS		1	1			KJ00K050G04		
113	R61 379 651	Panel F		1	1				KS00L334G07		Chg.
114	R61 380 651	Panel F	BS		1	1			KS00L334G08		Chg.
115	R61 381 651	Panel B		1	1				KD02B671H02		
116	R61 382 651	Panel B	BS		1	1			KS00R821G01		
117	R61 383 651	Panel L		1	1				KS02R320H02		
118	R61 384 651	Panel L	BS		1	1			KS00R822G01		
119	R61 385 651	Panel R		1	1				KS02R321H02		
120	R61 386 651	Panel R	BS		1	1			KS00R823G01		
121	R61 018 611	Fin guard		1	1				KD02B848H02		
122	R61 019 611	Fin guard	BS		1	1			KS00T209G02		
123	R61 026 611	Fin guard L		1	1	1	1		KD07J314G01		
124	R61 027 611	Fin guard R		1	1	1	1		KD07J315G01		
125	R61 028 611	Fin guard B		1	1	1	1		KD07J317G01		
126	R61 004 119	Bell mouth		1	1	1	1		KB25A368G01		
127	R11 003 009	Fan guard		1	1	1	1		KB25V019G01		
128	R61 009 669	Plate fan guard		4	4	4	4		KD02D205H02		
129	R61 040 140	Base fan		2	2				KS02B161H01		
130	R61 041 140	Base fan	BS		2	2			KS02B161G01		
131	R61 378 220	Motor	DC920 T	1	1				KMM00001B23		
132	R61 349 220	Motor	DC920 Y			1	1		KMM00001B15		
133	R61 047 114	Fan	700D	1	1	1	1		KB25A993H02		
134	R63 4H6 122	Box nut	M12 CH	1	1	1	1		P552000X01		
135	R63 014 087	Upset screw	M6 x 10	4	4	4	4		P516047X01		
136	R61 060 260	Trans box assy				1			KE00H427G01		
137	R61 061 260	Trans box assy	BS				1		KE00H427G02		
138	R63 006 087	WFT screw	M5 x 12(30pcs)	1	1	1	1		KB00H418G01	*1	
139	R63 029 087	WFT screw	M5 x 16(10pcs)	5	5	5	5		KD00H026G01	*2	
140	R61 048 087	H screw	M5 x 10 KNURLED(30pcs)	7	7	7	7		KB00H418G14	*3	Chg.





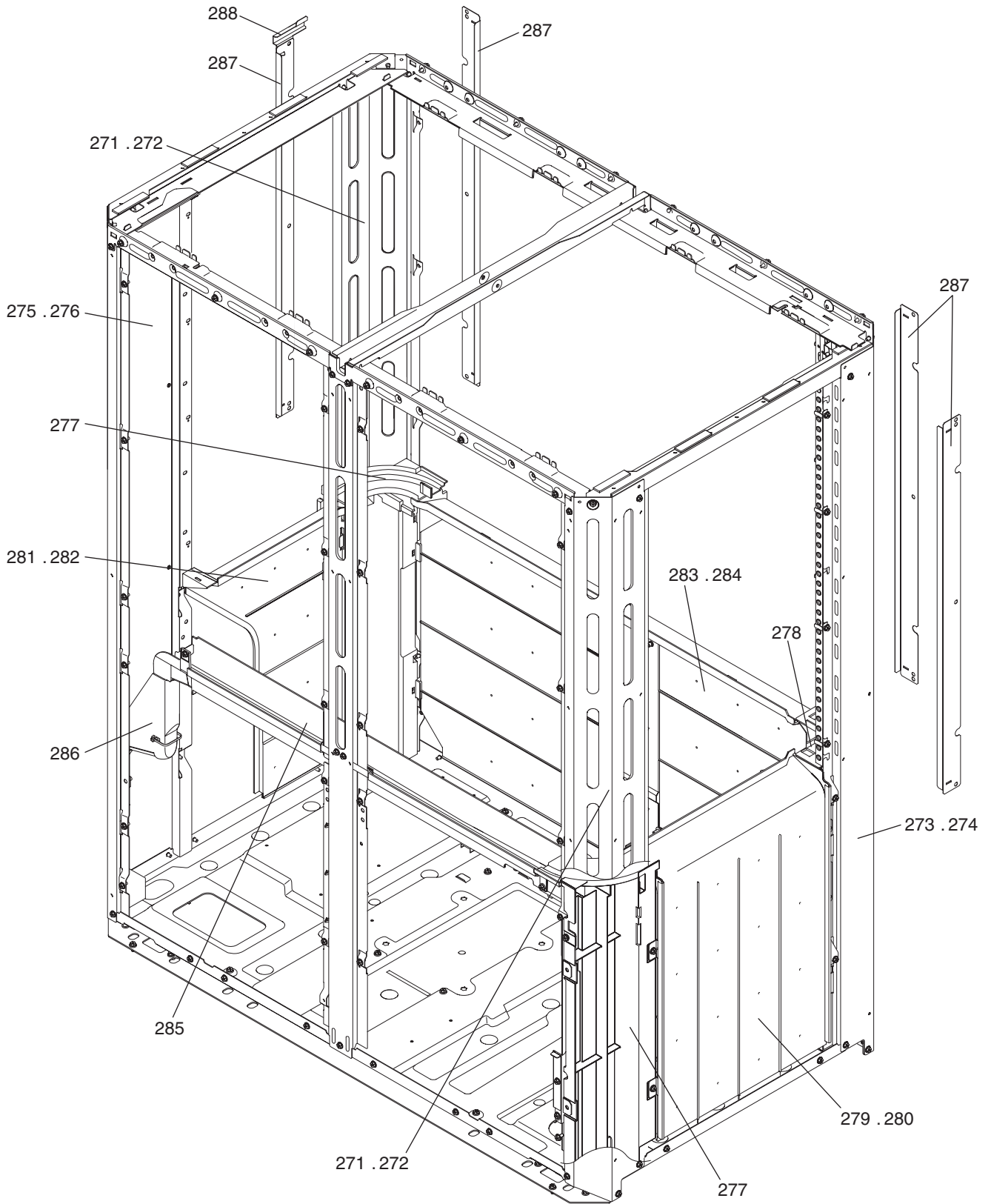


No.	Part No.	Part Name	Spec.	PURY-P96TNU-A	PURY-P120TNU-A	PURY-P144TNU-A	Dwg. No.	Notes for the models	Revision info.	
				PURY-P96TNU-A-BS	PURY-P120TNU-A-BS	PURY-P144TNU-A-BS				
201	R61 043 626	Pillar LF2		1	1	1	KJ00F066G09			
202	R61 044 626	Pillar LF2	BS		1	1	KJ00F066G10			
203	R61 070 626	Pillar assy C		1	1	1	KS00L326G13		Chg.	
204	R61 052 626	Pillar assy C	BS		1	1	KS00L326G12			
205	R61 053 626	Pillar C		1	1	1	KS00L327G11			
206	R61 054 626	Pillar C	BS		1	1	KS00L327G12			
207	R61 134 162	Frame assy FB		2	2		KL00G709G03			
208	R61 135 162	Frame assy FB	BS		2	2	KL00G709G04			
209	R61 136 162	Frame assy FB 3L				2	KL00G717G03			
210	R61 137 162	Frame assy FB 3L	BS			2	KL00G717G04			
211	R61 160 162	Frame assy L		1	1	1	KB00C02PG03			
212	R61 161 162	Frame assy L	BS		1	1	KB00C02PG04			
213	R61 132 162	Frame assy R		1	1	1	KS00L332G11			
214	R61 133 162	Frame assy R	BS		1	1	KS00L332G12			
215	R61 162 162	Frame assy C		1	1	1	KJ00K843G01			
216	R61 163 162	Frame assy C	BS		1	1	KJ00K843G02			
217	R61 218 690	Piping cover		1	1	1	KJ00F069G05			
218	R61 219 690	Piping cover	BS		1	1	KJ00F069G06			
219	R61 250 690	Wiring cover		1	1	1	KJ00K050G03			
220	R61 251 690	Wiring cover	BS		1	1	KJ00K050G04			
221	R61 390 651	Panel FL		1	1	1	KS00L335G07		Chg.	
222	R61 391 651	Panel FL	BS		1	1	KS00L335G08		Chg.	
223	R61 392 651	Panel FR		1	1	1	KS00L336G09		Chg.	
224	R61 393 651	Panel FR	BS		1	1	KS00L336G10		Chg.	
225	R61 394 651	Panel BL		1	1	1	KD02B680H02			
226	R61 395 651	Panel BL	BS		1	1	KS00R824G01			
227	R61 396 651	Panel BR		1	1	1	KD02B681H02			
228	R61 397 651	Panel BR	BS		1	1	KS00R825G01			
229	R61 383 651	Panel L		1	1	1	KS02R320H02			
230	R61 384 651	Panel L	BS		1	1	KS00R822G01			
231	R61 385 651	Panel R		1	1	1	KS02R321H02			
232	R61 386 651	Panel R	BS		1	1	KS00R823G01			
233	R61 020 611	Fin guard FL		1	1	1	KD02B849H02			
234	R61 021 611	Fin guard FL	BS		1	1	KS00T210G02			
235	R61 022 611	Fin guard FR		1	1	1	KD02B850H01			
236	R61 023 611	Fin guard FR	BS		1	1	KS00T211G01			
237	R61 026 611	Fin guard L		1	1	1	1	KD07J314G01		
238	R61 027 611	Fin guard R		1	1	1	1	KD07J315G01		
239	R61 029 611	Fin guard BL		1	1	1	1	KD07J318G01		
240	R61 030 611	Fin guard BR		1	1	1	1	KD07J319G01		
241	R61 016 119	Bell mouth		2	2	2	2	KB25Y025G02		
242	R61 019 118	Fan guard		2	2	2	2	KB25Y024G01		
243	R61 009 669	Plate fan guard		8	8	8	8	KD02D205H02		
244	R61 040 140	Base fan		4	4	4	4	KS02B161H01		
245	R61 041 140	Base fan	BS		4	4	4	KS02B161G01		



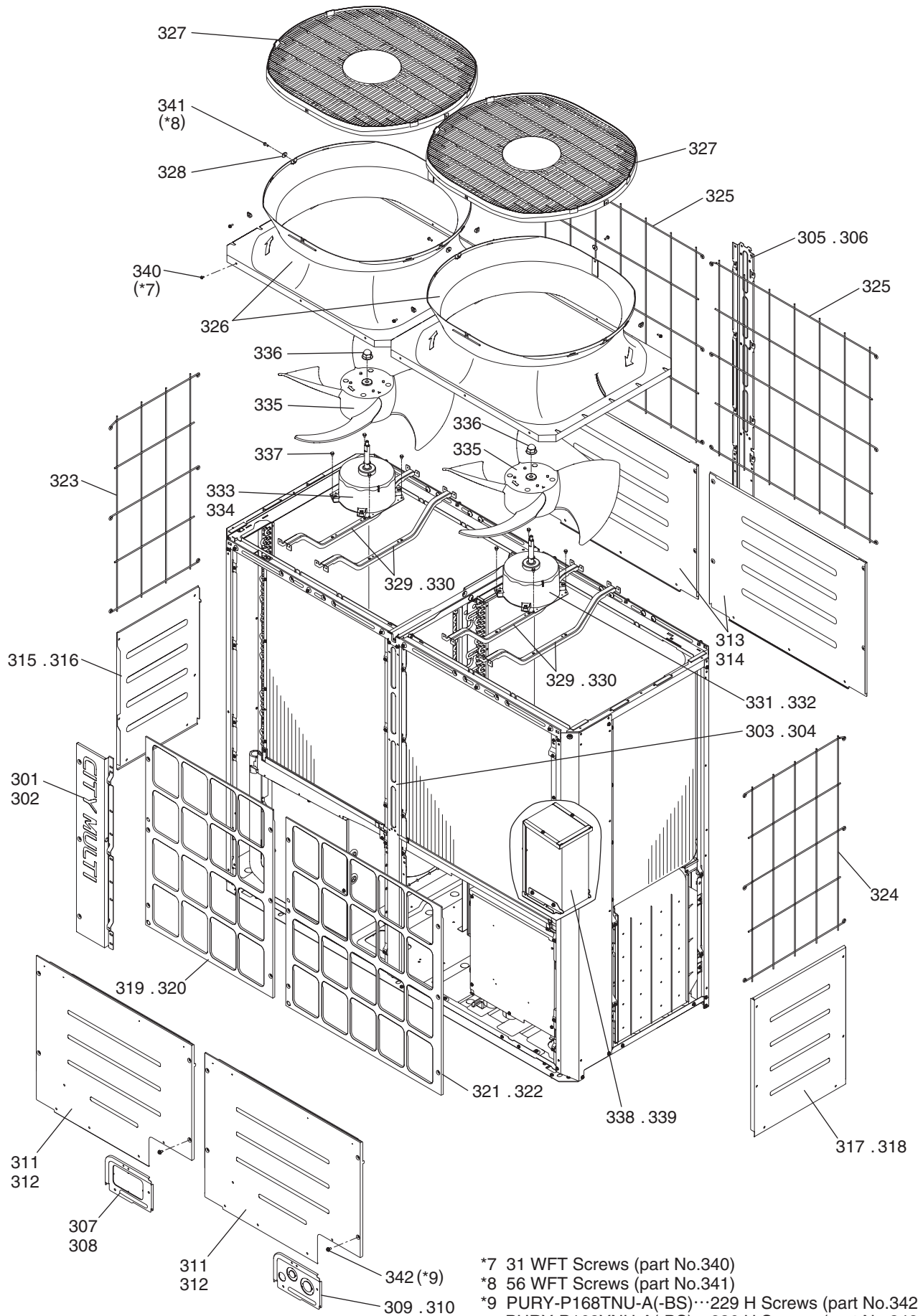
No.	Part No.	Part Name	Spec.							Dwg. No.	Notes for the models	Revision info.
				PURY-P96YNU-A	PURY-P96YNU-A-BS	PURY-P120YNU-A	PURY-P120YNU-A-BS	PURY-P144YNU-A	PURY-P144YNU-A-BS			
201	R61 043 626	Pillar LF2		1		1		1		KJ00F066G09		
202	R61 044 626	Pillar LF2	BS		1		1		1	KJ00F066G10		
203	R61 070 626	Pillar assy C		1		1		1		KS00L326G13		Chg.
204	R61 052 626	Pillar assy C	BS		1		1		1	KS00L326G12		
205	R61 053 626	Pillar C		1		1		1		KS00L327G11		
206	R61 054 626	Pillar C	BS		1		1		1	KS00L327G12		
207	R61 134 162	Frame assy FB		2		2				KL00G709G03		
208	R61 135 162	Frame assy FB	BS		2		2			KL00G709G04		
209	R61 136 162	Frame assy FB 3L						2		KL00G717G03		
210	R61 137 162	Frame assy FB 3L	BS						2	KL00G717G04		
211	R61 160 162	Frame assy L		1		1		1		KB00C02PG03		
212	R61 161 162	Frame assy L	BS		1		1		1	KB00C02PG04		
213	R61 132 162	Frame assy R		1		1		1		KS00L332G11		
214	R61 133 162	Frame assy R	BS		1		1		1	KS00L332G12		
215	R61 162 162	Frame assy C		1		1		1		KJ00K843G01		
216	R61 163 162	Frame assy C	BS		1		1		1	KJ00K843G02		
217	R61 218 690	Piping cover		1		1		1		KJ00F069G05		
218	R61 219 690	Piping cover	BS		1		1		1	KJ00F069G06		
219	R61 250 690	Wiring cover		1		1		1		KJ00K050G03		
220	R61 251 690	Wiring cover	BS		1		1		1	KJ00K050G04		
221	R61 390 651	Panel FL		1		1		1		KS00L335G07		Chg.
222	R61 391 651	Panel FL	BS		1		1		1	KS00L335G08		Chg.
223	R61 392 651	Panel FR		1		1		1		KS00L336G09		Chg.
224	R61 393 651	Panel FR	BS		1		1		1	KS00L336G10		Chg.
225	R61 394 651	Panel BL		1		1		1		KD02B680H02		
226	R61 395 651	Panel BL	BS		1		1		1	KS00R824G01		
227	R61 396 651	Panel BR		1		1		1		KD02B681H02		
228	R61 397 651	Panel BR	BS		1		1		1	KS00R825G01		
229	R61 383 651	Panel L		1		1		1		KS02R320H02		
230	R61 384 651	Panel L	BS		1		1		1	KS00R822G01		
231	R61 385 651	Panel R		1		1		1		KS02R321H02		
232	R61 386 651	Panel R	BS		1		1		1	KS00R823G01		
233	R61 020 611	Fin guard FL		1		1		1		KD02B849H02		
234	R61 021 611	Fin guard FL	BS		1		1		1	KS00T210G02		
235	R61 022 611	Fin guard FR		1		1		1		KD02B850H01		
236	R61 023 611	Fin guard FR	BS		1		1		1	KS00T211G01		
237	R61 026 611	Fin guard L		1	1	1	1	1	1	KD07J314G01		
238	R61 027 611	Fin guard R		1	1	1	1	1	1	KD07J315G01		
239	R61 029 611	Fin guard BL		1	1	1	1	1	1	KD07J318G01		
240	R61 030 611	Fin guard BR		1	1	1	1	1	1	KD07J319G01		
241	R61 016 119	Bell mouth		2	2	2	2	2	2	KB25Y025G02		
242	R61 019 118	Fan guard		2	2	2	2	2	2	KB25Y024G01		
243	R61 009 669	Plate fan guard		8	8	8	8	8	8	KD02D205H02		
244	R61 040 140	Base fan		4		4		4		KS02B161H01		
245	R61 041 140	Base fan	BS		4		4		4	KS02B161G01		





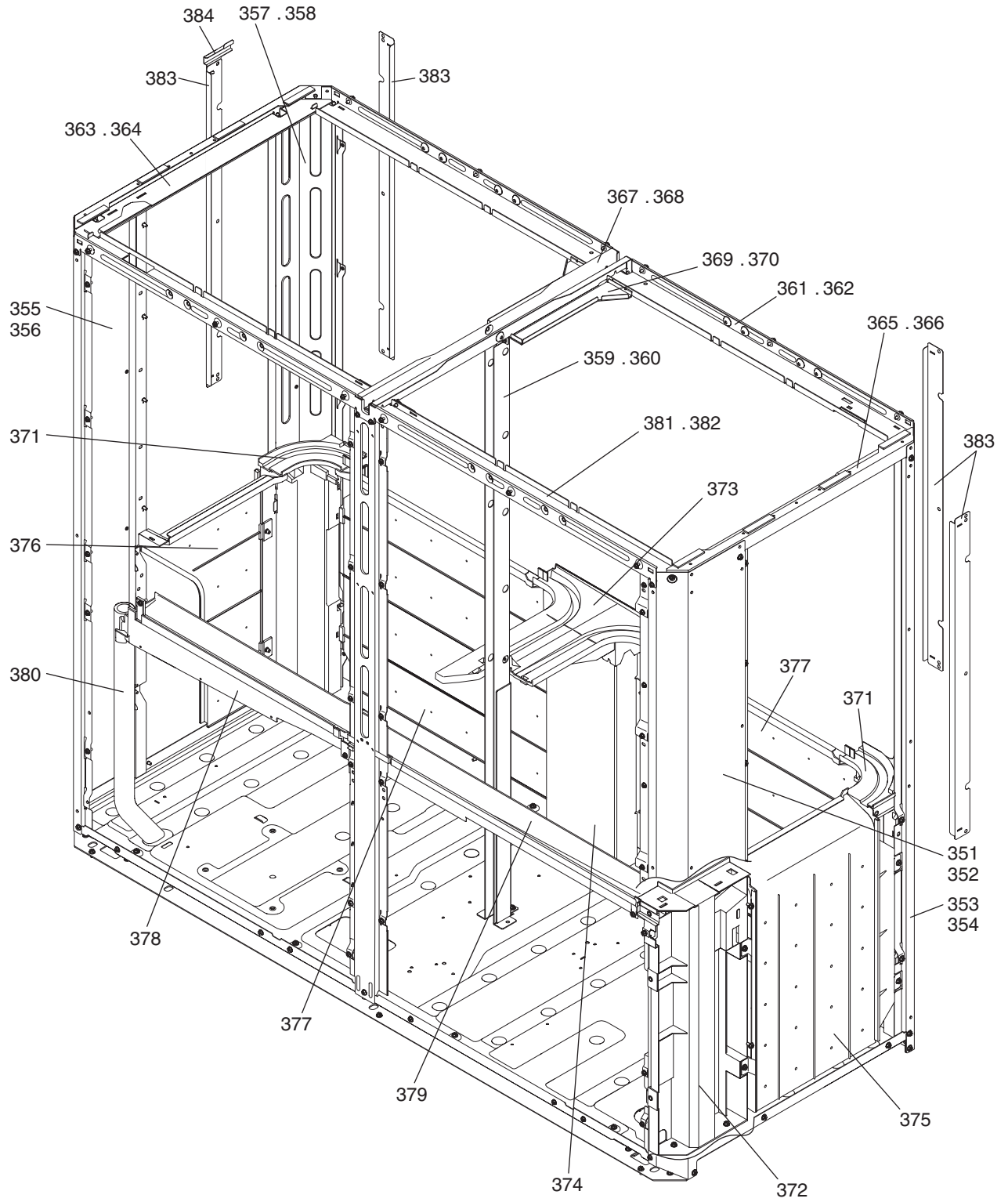




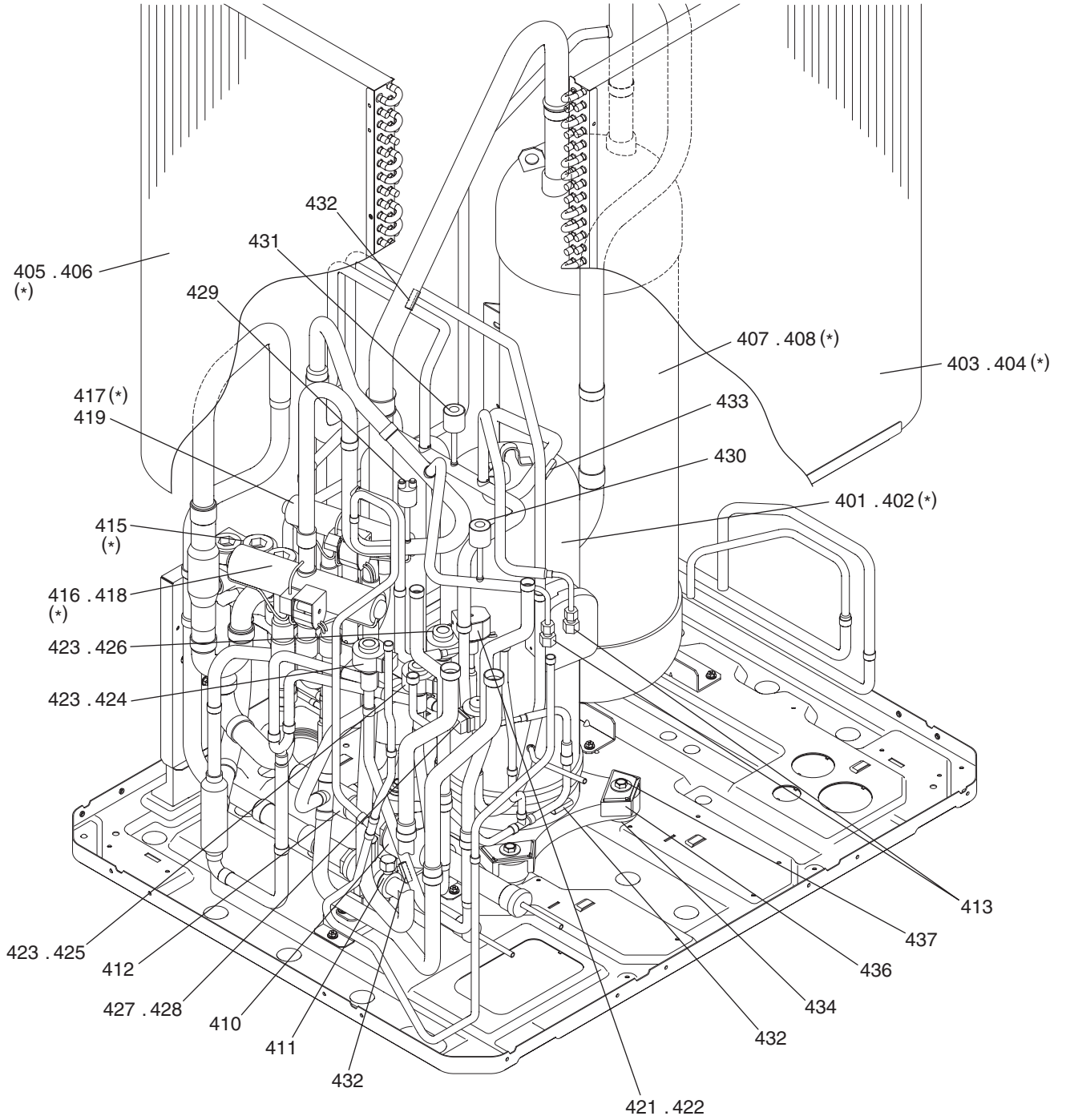


- \*7 31 WFT Screws (part No.340)
- \*8 56 WFT Screws (part No.341)
- \*9 PURY-P168TNU-A(-BS)···229 H Screws (part No.342)  
 PURY-P168YNU-A(-BS)···236 H Screws (part No.342)

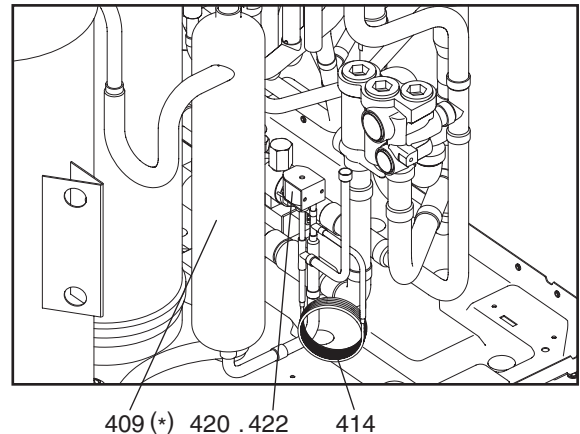
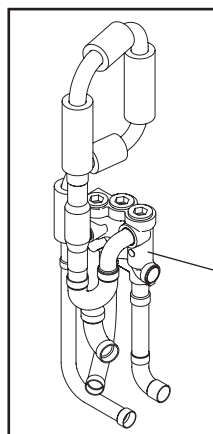
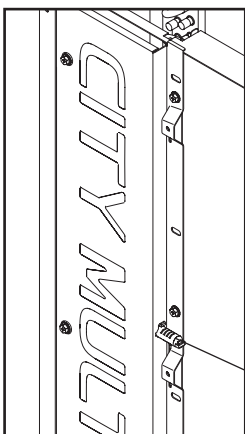
No.	Part No.	Part Name	Spec.	PURY-P168TNU-A	PURY-P168TNU-A-BS	PURY-P168YNU-A	PURY-P168YNU-A-BS	Dwg. No.	Notes for the models	Revision info.
301	R61 043 626	Pillar LF2		1		1		KJ00F066G09		
302	R61 044 626	Pillar LF2	BS		1		1	KJ00F066G10		
303	R61 070 626	Pillar assy C		1		1		KS00L326G13		Chg.
304	R61 052 626	Pillar assy C	BS		1		1	KS00L326G12		
305	R61 053 626	Pillar C		1		1		KS00L327G11		
306	R61 054 626	Pillar C	BS		1		1	KS00L327G12		
307	R61 223 690	Piping cover		1		1		KJ00F431G03		
308	R61 224 690	Piping cover	BS		1		1	KJ00F431G04		
309	R61 250 690	Wiring cover		1		1		KJ00K050G03		
310	R61 251 690	Wiring cover	BS		1		1	KJ00K050G04		
311	R61 403 651	Panel F		2		2		KS00R550G07		Chg.
312	R61 406 651	Panel F	BS		2		2	KS00R550G08		Chg.
313	R61 407 651	Panel B		2		2		KD02B773H01		
314	R61 408 651	Panel B	BS		2		2	KS00R841G01		
315	R61 383 651	Panel L		1		1		KS02R320H02		
316	R61 384 651	Panel L	BS		1		1	KS00R822G01		
317	R61 409 651	Panel R		1		1		KD02B774H01		
318	R61 410 651	Panel R	BS		1		1	KS00R842G01		
319	R61 018 611	Fin guard		1		1		KD02B848H02		
320	R61 019 611	Fin guard	BS		1		1	KS00T209G02		
321	R61 024 611	Fin guard		1		1		KD02B851H02		
322	R61 025 611	Fin guard	BS		1		1	KS00T212G02		
323	R61 026 611	Fin guard L		1	1	1	1	KD07J314G01		
324	R61 031 611	Fin guard R		1	1	1	1	KD07J316G01		
325	R61 032 611	Fin guard B		2	2	2	2	KD07J320G01		
326	R61 005 119	Bell mouth		2	2	2	2	KB25A367G01		
327	R11 003 009	Fan guard		2	2	2	2	KB25V019G01		
328	R61 009 669	Plate fan guard		8	8	8	8	KD02D205H02		
329	R61 040 140	Base fan		4		4		KS02B161H01		
330	R61 041 140	Base fan	BS		4		4	KS02B161G01		
331	R61 378 220	Motor	DC920 T (RIGHT)	1	1			KMM00001B23		
332	R61 349 220	Motor	DC920 Y (RIGHT)			1	1	KMM00001B15		
333	R61 380 220	Motor	DC920 T (LEFT)	1	1			KMM00001B24		
334	R61 353 220	Motor	DC920 Y (LEFT)			1	1	KMM00001B16		
335	R61 047 114	Fan	700D	2	2	2	2	KB25A993H02		
336	R63 4H6 122	Box nut	M12 CH	2	2	2	2	P552000X01		
337	R63 014 087	Upset screw	M6 x 10	8	8	8	8	P516047X01		
338	R61 060 260	Trans box assy				1		KE00H427G01		
339	R61 061 260	Trans box assy	BS				1	KE00H427G02		
340	R63 006 087	WFT screw	M5 x 12(30pcs)	2	2	2	2	KB00H418G01	*7	
341	R63 029 087	WFT screw	M5 x 16(10pcs)	6	6	6	6	KD00H026G01	*8	
342	R61 048 087	H screw	M5 x 10 KNURLED(30pcs)	8	8	8	8	KB00H418G14	*9	Chg.



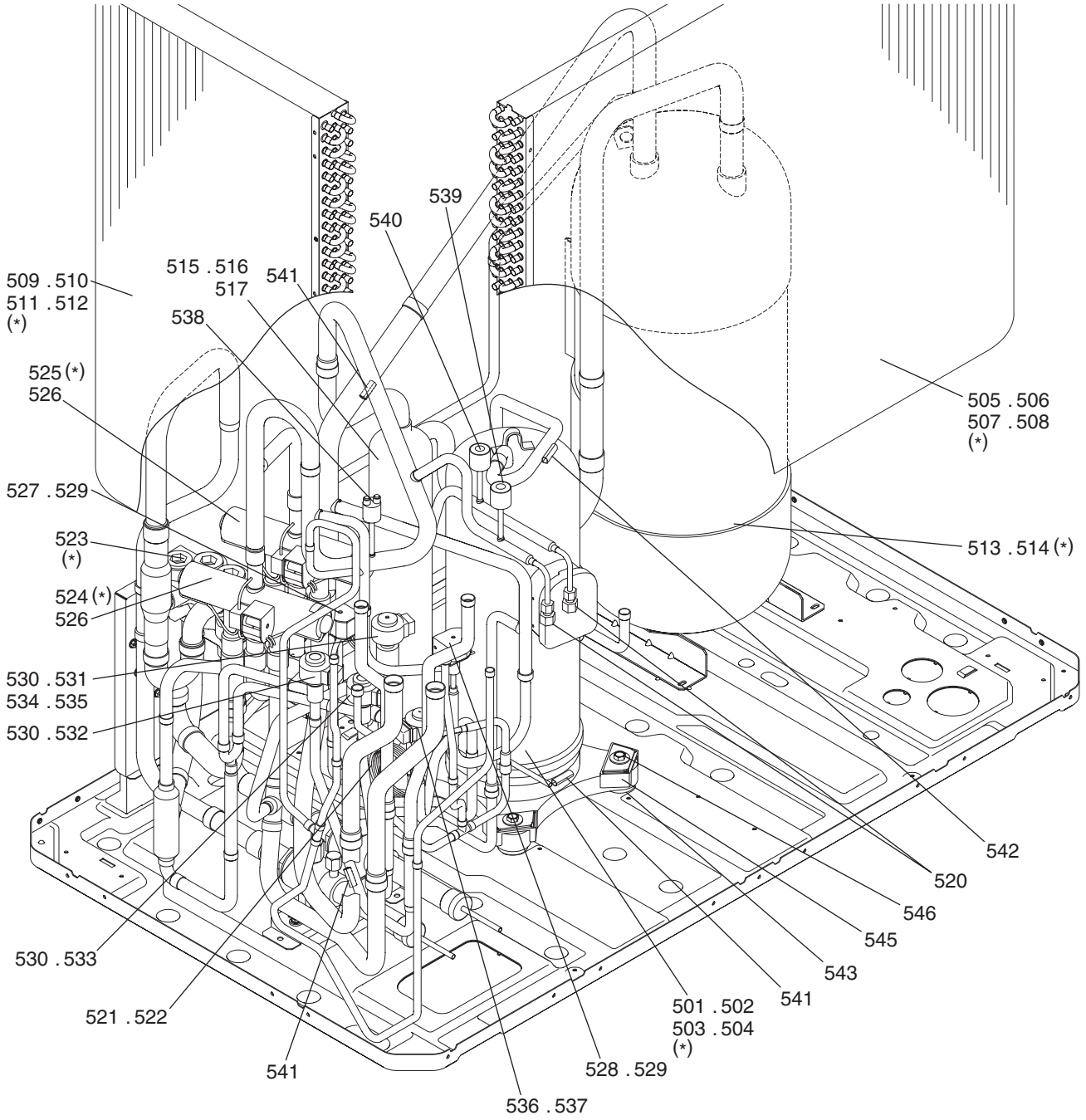




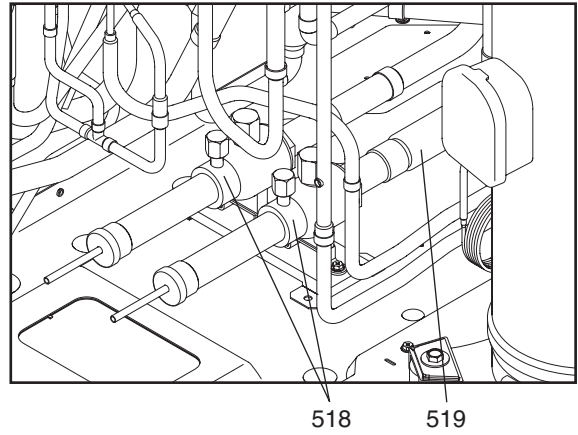
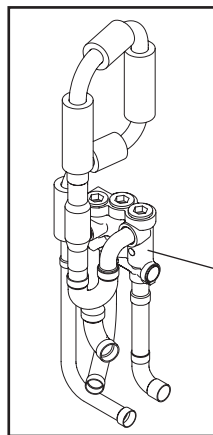
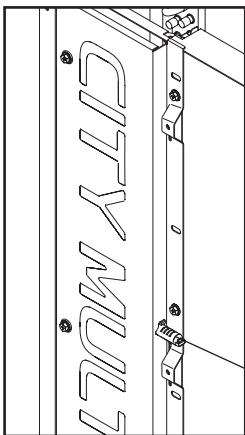
\* with instructions







\* with instructions



No.	Part No.	Part Name	Spec.	PURY-P96TNU-A	PURY-P96TNU-A-BS	PURY-P120TNU-A	PURY-P120TNU-A-BS	PURY-P144TNU-A	PURY-P144TNU-A-BS	Dwg. No.	Notes for the models	Revision info.
501	R69 162 478	Scroll compressor SP kit	ENB62FD-UH	1	1					EP10132B15	*	
502	R69 164 478	Scroll compressor SP kit	HNS68FA-U			1	1	1	1	EP10157B02	*	
503	R69 163 478	Scroll compressor SP kit	ENB62FD-YEH							EP10132B16	*	
504	R69 165 478	Scroll compressor SP kit	HNS68FA-YE							EP10157B01	*	
505	R61 F55 480	Heat exchanger SP kit	2L F	1		1				KJ00H791G03	*	
506	R61 F56 480	Heat exchanger SP kit	2L F BS		1		1			KJ00H791G04	*	
507	R61 F57 480	Heat exchanger SP kit	3L F					1		KJ00H793G03	*	
508	R61 F58 480	Heat exchanger SP kit	3L F BS						1	KJ00H793G04	*	
509	R61 F59 480	Heat exchanger SP kit	2L R	1		1				KJ00H792G03	*	
510	R61 F60 480	Heat exchanger SP kit	2L R BS		1		1			KJ00H792G04	*	
511	R61 F61 480	Heat exchanger SP kit	3L R					1		KJ00H794G03	*	
512	R61 F62 480	Heat exchanger SP kit	3L R BS						1	KJ00H794G04	*	
513	R61 154 484	Accumulator assy SP kit		1		1		1		KS00D242G11	*	
514	R61 157 484	Accumulator assy SP kit	BS		1		1		1	KS00D242G12	*	
515	R61 059 487	Oil separator assy		1	1					KL00L263G01		
516	R61 060 487	Oil separator assy				1	1			KL00L207G01		
517	R61 061 487	Oil separator assy						1	1	KL00L287G01		
518	R61 019 410	Ball valve	SBV10-005	2	2	2	2	2	2	P636404X01	<BV1,BV2>	
519	R61 015 454	Strainer	28.6D-25.4D	1	1	1	1	1	1	P641144X01	<ST1>	
520	R61 007 413	Check joint L	TCJ-2GME-5	2	2	2	2	2	2	KR50C388H01	<CJ1,CJ2>	
521	R63 002 425	Capillary tube assy		1	1					KB49F229G01	<CP1>	
522	R61 014 425	Capillary tube assy				1	1	1	1	KB49M503G01	<CP1>	
523	R61 092 418	CV block SP kit		1	1	1	1	1	1	KS00D243G02	<CV BLOCK,CV5a>*	
524	R61 020 403	Four way valve A SP kit		1	1	1	1	1	1	KS00D244G03	<21S4a>*	
525	R61 021 403	Four way valve B SP kit		1	1	1	1	1	1	KS00D244G04	<21S4b>*	
526	R61 019 242	Four way valve coil	SQ-A2520D-000028-RK	2	2	2	2	2	2	P472128X01	<21S4a,21S4b>	
527	R63 046 232	Solenoid valve	FDFA2A77	1	1	1	1	1	1	P631312X01	<SV1a>	
528	R13 018 921	Solenoid valve	FDFA4A-016-RK	1	1	1	1	1	1	P631311X01	<SV2>	
529	R61 069 243	Solenoid valve coil	FQ-A0120D-001734-RK	2	2	2	2	2	2	P472129X01	<SV1a,SV2>	
530	R61 107 401	Linear expansion valve	PAM-BB0YGMD-2	3	3	3	3	2	2	KR50C486H01	<LEV2a,LEV2b,LEV2d>	
531	R61 112 401	Linear expansion valve	PDM-BD130MD-1					1	1	P632630X01	<LEV2d>	
532	R61 108 401	Linear expansion valve coil	PAM-MD12MD-17	1	1	1	1	1	1	P472109X01	<LEV2a>	
533	R61 109 401	Linear expansion valve coil	PAM-MD12MD-18	1	1	1	1	1	1	P472110X01	<LEV2b>	
534	R61 110 401	Linear expansion valve coil	PAM-MD12MD-25	1	1	1	1			KR50C487H01	<LEV2d>	
535	R61 113 401	Linear expansion valve coil	PAM-MD12MD-20					1	1	P472112X01	<LEV2d>	
536	R63 R34 401	Linear expansion valve	CAM-B35YGMD-2	1	1	1	1	1	1	P632416X01	<LEV9>	
537	R61 111 401	Linear expansion valve coil	CAM-MD12MD-125	1	1	1	1	1	1	P472113X01	<LEV9>	
538	R61 052 208	Pressure switch	ACB-1UB179W	1	1	1	1	1	1	P426346X01	<63H>	
539	R61 098 288	Pressure sensor	NSK-BH042D-501	1	1	1	1	1	1	KB00H904G32	<63HS>	
540	R61 138 288	Pressure sensor	NSK-BH017D-602	1	1	1	1	1	1	KB00H904G33	<63LS>	Chg.
541	R61 345 200	Thermistor	PXM-41E-M112-1Y	4	4	4	4	4	4	P418167X01	<TH3,TH5,TH7,TH15>	
542	R63 911 202	Thermistor		1	1	1	1	1	1	P425416X02	<TH4>	
543	R63 852 860	Rubber mount		4	4	4	4	4	4	W897574H01	For compressor	
544	R61 001 310	Sensor holder		1	1	1	1	1	1	KB25B471G02		
545	R61 027 155	Attachment (HH)		2	2	2	2	2	2	KJ00F713G04		

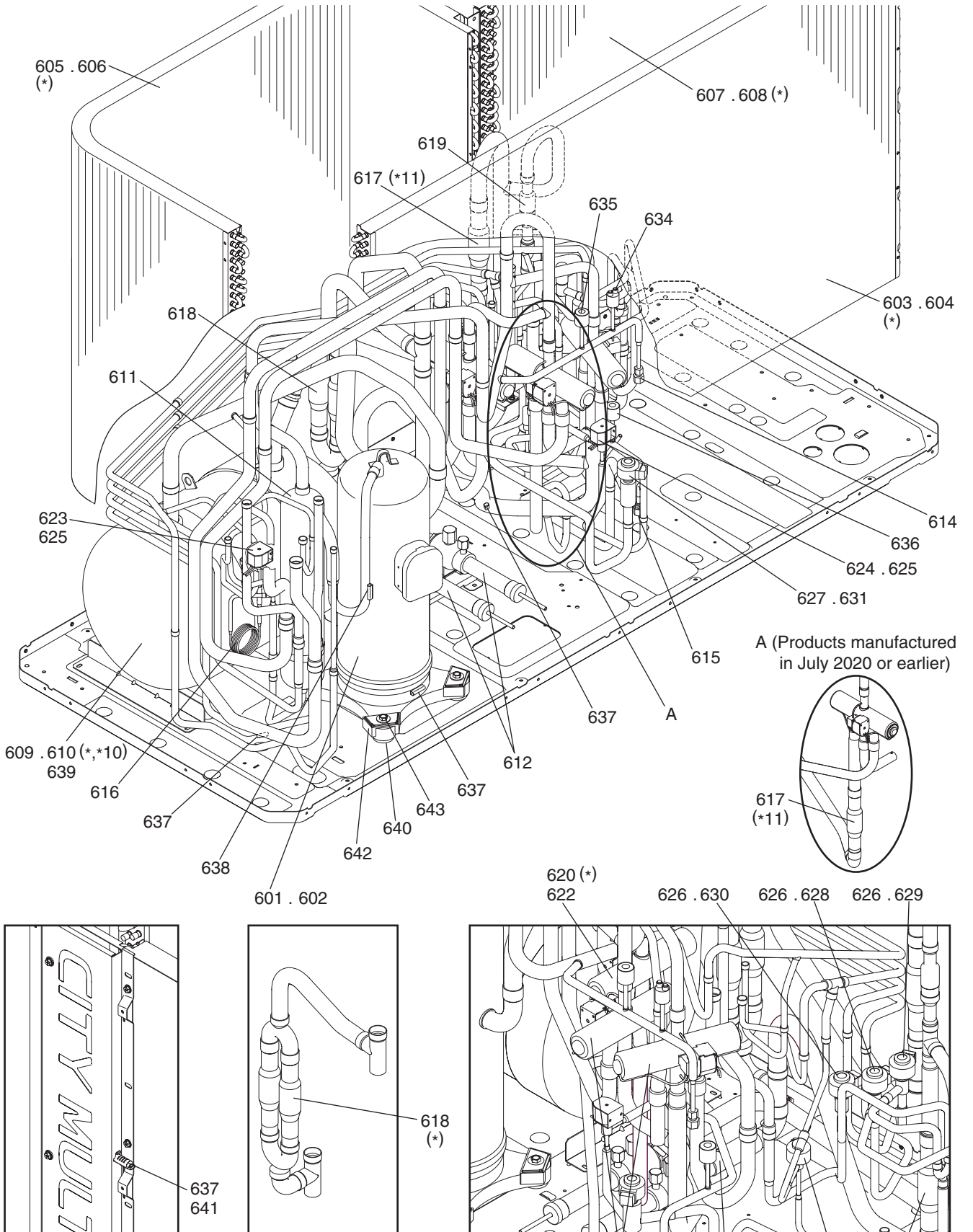


No.	Part No.	Part Name	Spec.	PURY-P96YNU-A	PURY-P96YNU-A-BS	PURY-P120YNU-A	PURY-P120YNU-A-BS	PURY-P144YNU-A	PURY-P144YNU-A-BS	Dwg. No.	Notes for the models	Revision info.
501	R69 162 478	Scroll compressor SP kit	ENB62FD-UH							EP10132B15	*	
502	R69 164 478	Scroll compressor SP kit	HNS68FA-U							EP10157B02	*	
503	R69 163 478	Scroll compressor SP kit	ENB62FD-YEH	1	1					EP10132B16	*	
504	R69 165 478	Scroll compressor SP kit	HNS68FA-YE			1	1	1	1	EP10157B01	*	
505	R61 F55 480	Heat exchanger SP kit	2L F	1	1					KJ00H791G03	*	
506	R61 F56 480	Heat exchanger SP kit	2L F BS		1	1				KJ00H791G04	*	
507	R61 F57 480	Heat exchanger SP kit	3L F					1		KJ00H793G03	*	
508	R61 F58 480	Heat exchanger SP kit	3L F BS						1	KJ00H793G04	*	
509	R61 F59 480	Heat exchanger SP kit	2L R	1	1					KJ00H792G03	*	
510	R61 F60 480	Heat exchanger SP kit	2L R BS		1	1				KJ00H792G04	*	
511	R61 F61 480	Heat exchanger SP kit	3L R					1		KJ00H794G03	*	
512	R61 F62 480	Heat exchanger SP kit	3L R BS						1	KJ00H794G04	*	
513	R61 154 484	Accumulator assy SP kit		1	1		1			KS00D242G11	*	
514	R61 157 484	Accumulator assy SP kit	BS		1	1		1		KS00D242G12	*	
515	R61 059 487	Oil separator assy		1	1					KL00L263G01		
516	R61 060 487	Oil separator assy				1	1			KL00L207G01		
517	R61 061 487	Oil separator assy						1	1	KL00L287G01		
518	R61 019 410	Ball valve	SBV10-005	2	2	2	2	2	2	P636404X01	<BV1,BV2>	
519	R61 015 454	Strainer	28.6D-25.4D	1	1	1	1	1	1	P641144X01	<ST1>	
520	R61 007 413	Check joint L	TCJ-2GME-5	2	2	2	2	2	2	KR50C388H01	<CJ1,CJ2>	
521	R63 002 425	Capillary tube assy		1	1					KB49F229G01	<CP1>	
522	R61 014 425	Capillary tube assy				1	1	1	1	KB49M503G01	<CP1>	
523	R61 092 418	CV block SP kit		1	1	1	1	1	1	KS00D243G02	<CV BLOCK,CV5a>*	
524	R61 020 403	Four way valve A SP kit		1	1	1	1	1	1	KS00D244G03	<21S4a>*	
525	R61 021 403	Four way valve B SP kit		1	1	1	1	1	1	KS00D244G04	<21S4b>*	
526	R61 019 242	Four way valve coil	SQ-A2520D-000028-RK	2	2	2	2	2	2	P472128X01	<21S4a,21S4b>	
527	R63 046 232	Solenoid valve	FDFA2A77	1	1	1	1	1	1	P631312X01	<SV1a>	
528	R13 018 921	Solenoid valve	FDFA4A-016-RK	1	1	1	1	1	1	P631311X01	<SV2>	
529	R61 069 243	Solenoid valve coil	FQ-A0120D-001734-RK	2	2	2	2	2	2	P472129X01	<SV1a,SV2>	
530	R61 107 401	Linear expansion valve	PAM-BB0YGMD-2	3	3	3	3	2	2	KR50C486H01	<LEV2a,LEV2b,LEV2d>	
531	R61 112 401	Linear expansion valve	PDM-BD130MD-1					1	1	P632630X01	<LEV2d>	
532	R61 108 401	Linear expansion valve coil	PAM-MD12MD-17	1	1	1	1	1	1	P472109X01	<LEV2a>	
533	R61 109 401	Linear expansion valve coil	PAM-MD12MD-18	1	1	1	1	1	1	P472110X01	<LEV2b>	
534	R61 110 401	Linear expansion valve coil	PAM-MD12MD-25	1	1	1	1			KR50C487H01	<LEV2d>	
535	R61 113 401	Linear expansion valve coil	PAM-MD12MD-20					1	1	P472112X01	<LEV2d>	
536	R63 R34 401	Linear expansion valve	CAM-B35YGMD-2	1	1	1	1	1	1	P632416X01	<LEV9>	
537	R61 111 401	Linear expansion valve coil	CAM-MD12MD-125	1	1	1	1	1	1	P472113X01	<LEV9>	
538	R61 052 208	Pressure switch	ACB-1UB179W	1	1	1	1	1	1	P426346X01	<63H>	
539	R61 098 288	Pressure sensor	NSK-BH042D-501	1	1	1	1	1	1	KB00H904G32	<63HS>	
540	R61 138 288	Pressure sensor	NSK-BH017D-602	1	1	1	1	1	1	KB00H904G33	<63LS>	Chg.
541	R61 345 200	Thermistor	PXM-41E-M112-1Y	4	4	4	4	4	4	P418167X01	<TH3,TH5,TH7,TH15>	
542	R63 911 202	Thermistor		1	1	1	1	1	1	P425416X02	<TH4>	
543	R63 852 860	Rubber mount		4	4	4	4	4	4	W897574H01	For compressor	
544	R61 001 310	Sensor holder		1	1	1	1	1	1	KB25B471G02		
545	R61 027 155	Attachment (HH)		2	2	2	2	2	2	KJ00F713G04		



PURY-P168TNU-A(-BS)  
 PURY-P168YNU-A(-BS)

FUNCTIONAL PARTS (3)



\* with instructions

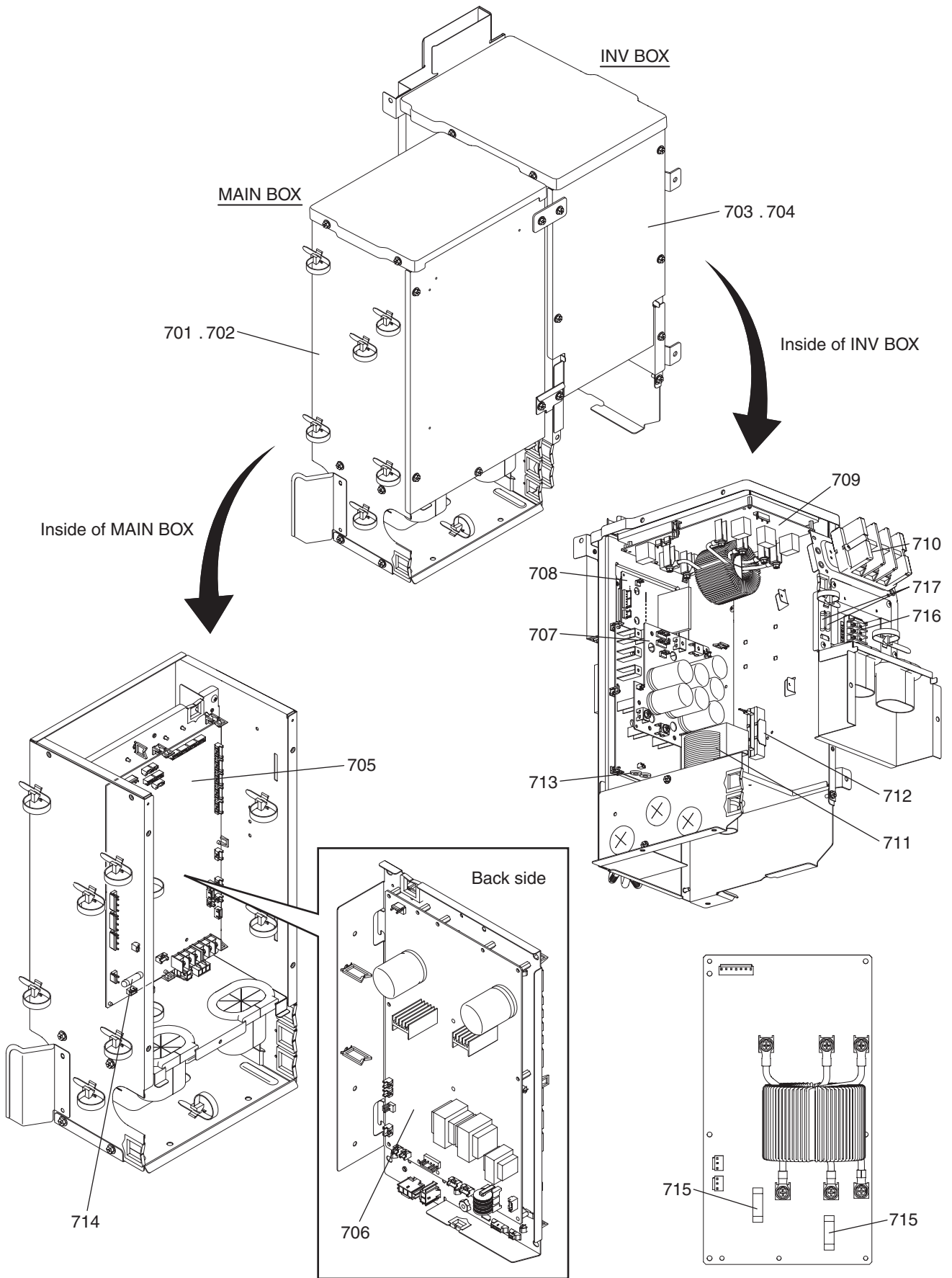
\*10 When part No.609 or No.610 is replaced, order part No.639 to replace.

\*11 The quantity of the parts required depends on the manufacturing date of the products to be used.

July 2020 or earlier (Serial numbers up to 07W\*\*\*\*): 3 pieces

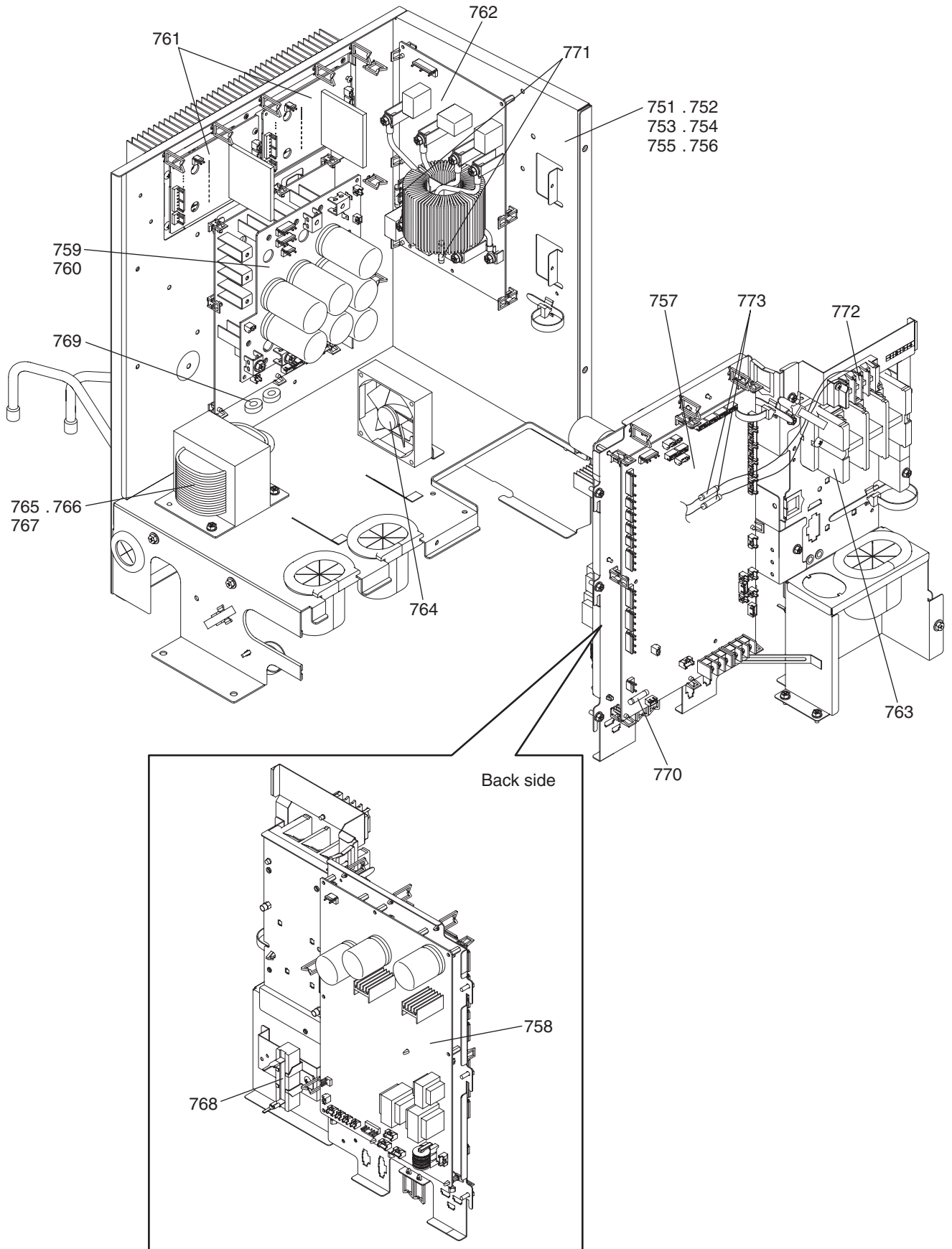
August 2020 or later (Serial numbers 08W\*\*\*\* or later): 2 pieces

No.	Part No.	Part Name	Spec.	PURY-P168TNU-A	PURY-P168TNU-A-BS	PURY-P168YNU-A	PURY-P168YNU-A-BS	Dwg. No.	Notes for the models	Revision info.
601	R69 166 478	Scroll compressor	HNB97FB-U	1	1			EP10148B05		
602	R69 171 478	Scroll compressor	HNB97FB-YE			1	1	EP10148B04		
603	R61 F63 480	Heat exchanger SP kit	2L F	1		1		KJ00K927G01	*	
604	R61 F64 480	Heat exchanger SP kit	2L F BS		1		1	KJ00K927G02	*	
605	R61 F65 480	Heat exchanger SP kit	2L L	1		1		KJ00K928G01	*	
606	R61 F68 480	Heat exchanger SP kit	2L L BS		1		1	KJ00K928G02	*	
607	R61 F69 480	Heat exchanger SP kit	2L R	1		1		KJ00K929G01	*	
608	R61 F78 480	Heat exchanger SP kit	2L R BS		1		1	KJ00K929G02	*	
609	R61 158 484	Accumulator assy SP kit		1		1		KS00D242G13	**10	
610	R61 159 484	Accumulator assy SP kit	BS		1		1	KS00D242G14	**10	
611	R61 062 487	Oil separator assy		1	1	1	1	KL00L164G01		
612	R61 019 410	Ball valve	SBV10-005	2	2	2	2	P636404X01	<BV1,BV2>	
613	R61 016 454	Strainer	28.6D-28.8D	1	1	1	1	P641146X01	<ST1>	
614	R61 008 413	Check joint	TCJ-2GME-4	1	1	1	1	KR50C379H01	<CJ1>	
615	R63 R34 413	Check joint L	R410A	1	1	1	1	P666004X02	<CJ2>	
616	R63 R55 425	Capillary tube assy		1	1	1	1	W905191G02	<CP1>	
617	R61 065 418	Check valve	YBV-22Y9GMD-2	3	3	3	3	P639183X02	<CV1b,CV3a,CV5a>*11	Chg.
618	R61 091 418	CV assy SP kit		1	1	1	1	KS00D243G04	<CV2a,CV2b>*	
619	R61 019 418	Check valve	UCV-A1507DQ4	1	1	1	1	P633135X01	<CV6a>	
620	R61 022 403	Four way valve A SP kit		1	1	1	1	KS00D244G05	<21S4a>*	
621	R61 013 403	Four way valve	STF-H0731	2	2	2	2	P633130X01	<21S4b,21S4c>	
622	R61 020 242	Four way valve coil	STF-H01AQ2422UA1	3	3	3	3	P472130X01	<21S4a,21S4b,21S4c>	
623	R63 046 232	Solenoid valve	FD2A77	1	1	1	1	P631312X01	<SV1a>	
624	R13 018 921	Solenoid valve	FD4A-016-RK	1	1	1	1	P631311X01	<SV2>	
625	R61 069 243	Solenoid valve coil	FQ-A0120D-001734-RK	2	2	2	2	P472129X01	<SV1a,SV2>	
626	R61 107 401	Linear expansion valve	PAM-BB0YGMD-2	3	3	3	3	KR50C486H01	<LEV2a,LEV2b,LEV2c>	
627	R61 112 401	Linear expansion valve	PDM-BD130MD-1	1	1	1	1	P632630X01	<LEV2d>	
628	R61 108 401	Linear expansion valve coil	PAM-MD12MD-17	1	1	1	1	P472109X01	<LEV2a>	
629	R61 109 401	Linear expansion valve coil	PAM-MD12MD-18	1	1	1	1	P472110X01	<LEV2b>	
630	R61 114 401	Linear expansion valve coil	PAM-MD12MD-19	1	1	1	1	P472111X01	<LEV2c>	
631	R61 113 401	Linear expansion valve coil	PAM-MD12MD-20	1	1	1	1	P472112X01	<LEV2d>	
632	R63 R34 401	Linear expansion valve	CAM-B35YGMD-2	1	1	1	1	P632416X01	<LEV9>	
633	R61 111 401	Linear expansion valve coil	CAM-MD12MD-125	1	1	1	1	P472113X01	<LEV9>	
634	R61 052 208	Pressure switch	ACB-1UB179W	1	1	1	1	P426346X01	<63H>	
635	R61 108 288	Pressure sensor	NSK-BH042D-501	1	1	1	1	KB00H904G36	<63HS>	
636	R61 109 288	Pressure sensor	NSK-BH017D-602	1	1	1	1	KB00H904G37	<63LS>	
637	R61 345 200	Thermistor	PXM-41E-M112-1Y	4	4	4	4	P418167X01	<TH3,TH5,TH7,TH15>	
638	R63 911 202	Thermistor		1	1	1	1	P425416X02	<TH4>	
639	R61 018 237	ACC heater kit		1	1	1	1	KJ00K930G01	<TH16,TH17,TH18,CH20,CH21>	
640	R63 852 860	Rubber mount		4	4	4	4	W897574H01	For compressor	
641	R61 001 310	Sensor holder		1	1	1	1	KB25B471G02		
642	R61 027 155	Attachment (HH)		4	4	4	4	KJ00F713G04		
643	R61 009 306	Bolt	M6	4	4	4	4	KJ12F711H05		



Notice: Consult your service agency when the wiring needs to be replaced.  
 (Replacing wiring will take about 2 months.)

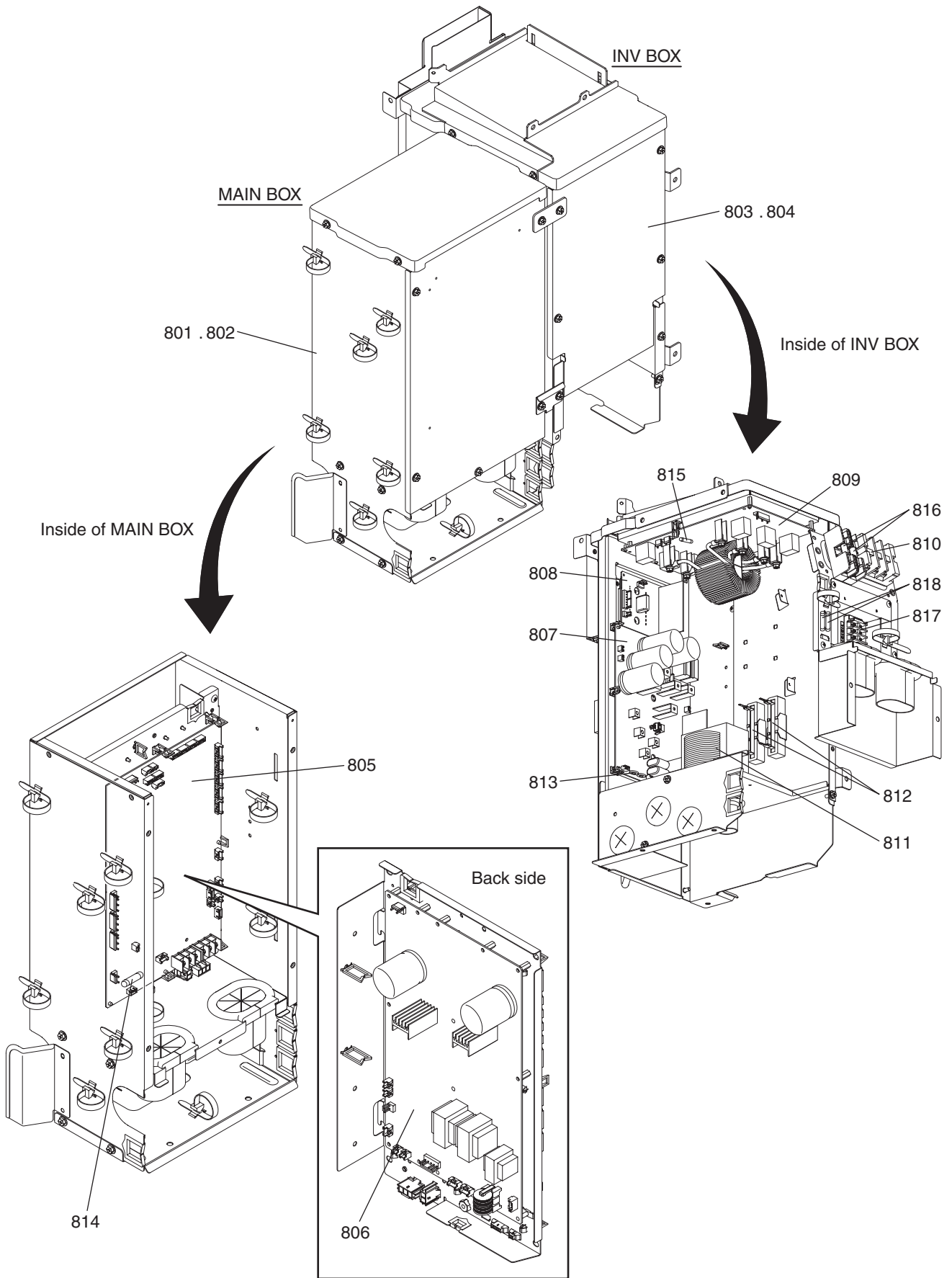




Notice: Consult your service agency when the wiring needs to be replaced.  
 (Replacing wiring will take about 2 months.)

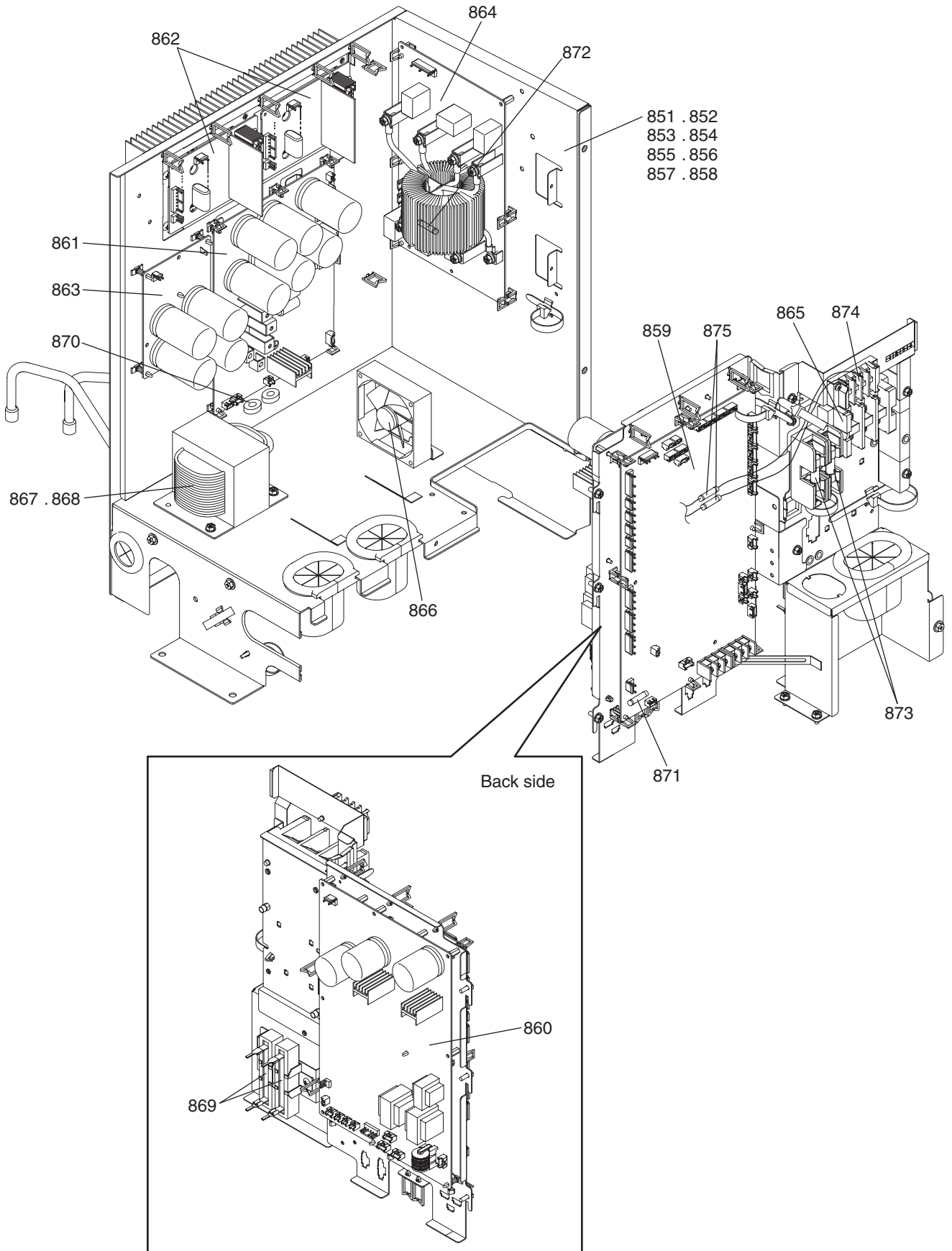






Notice: Consult your service agency when the wiring needs to be replaced.  
 (Replacing wiring will take about 2 months.)





Notice: Consult your service agency when the wiring needs to be replaced.  
 (Replacing wiring will take about 2 months.)





**mitsubishi**  
**electric**  
**corporation**

---

BWE01824A (20200731)