

SERVICE PARTS LIST FOR MITSUBISHI ELECTRIC PACKAGED AIR-CONDITIONERS

Series : PURY-HP•T(S)NU-A
PURY-HP•Y(S)NU-A

For use with the R410A

REVISED

May 2024

BWE01906A

INDEX

PURY-HP72TNU-A
PURY-HP96TNU-A
PURY-HP120TNU-A
PURY-HP72YNU-A
PURY-HP96YNU-A
PURY-HP120YNU-A

Part information update day : 2024/05/20

Please change the old catalog (issued May 2019, No.BWE019060) to this new catalog.
Content of revision : Some of parts are changed.



The Package name list

PURY-HP144TSNU-A [PURY-HP72TNU-A+PURY-HP72TNU-A]

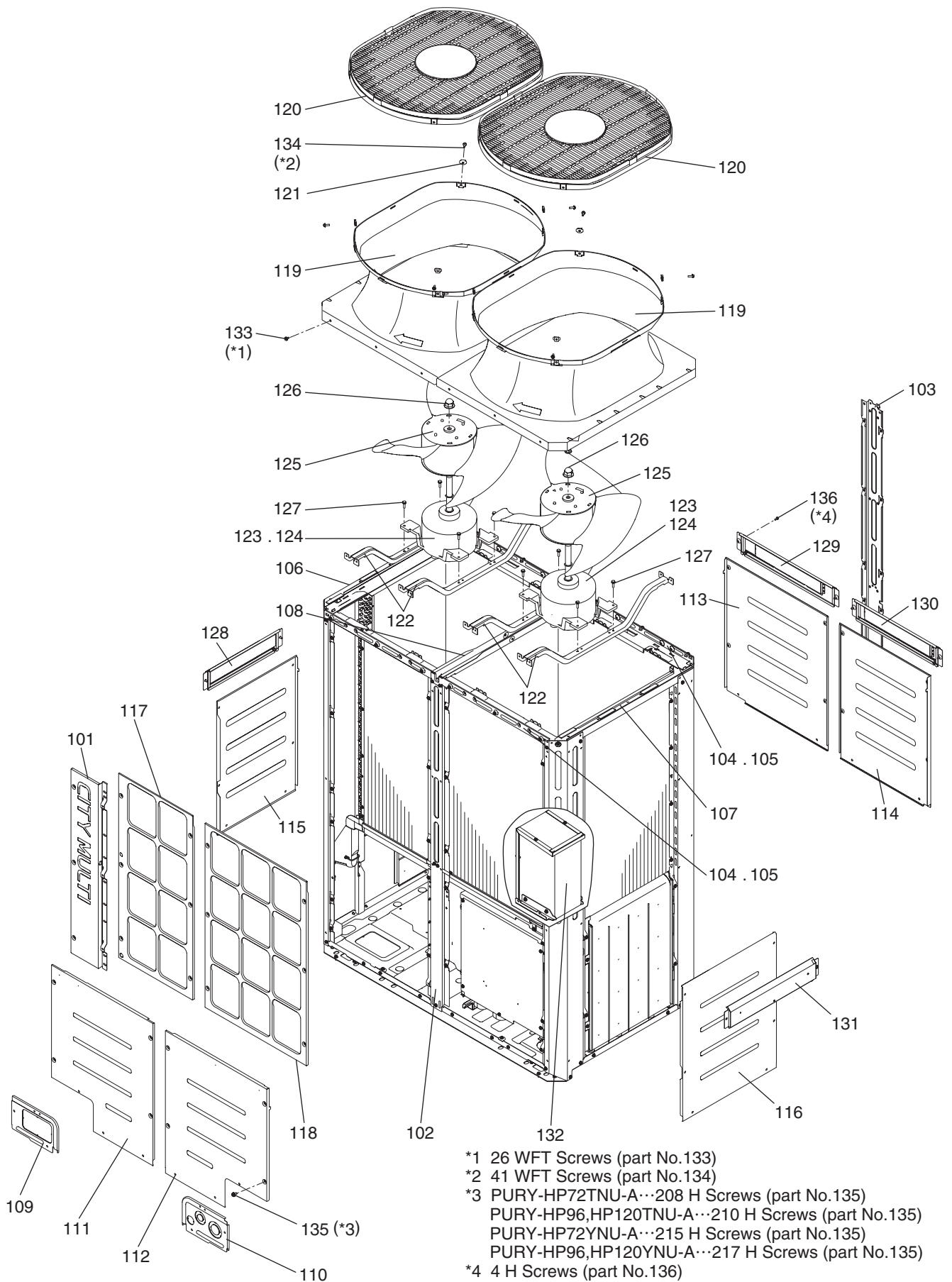
PURY-HP192TSNU-A [PURY-HP96TNU-A+PURY-HP96TNU-A]

PURY-HP240TSNU-A [PURY-HP120TNU-A+PURY-HP120TNU-A]

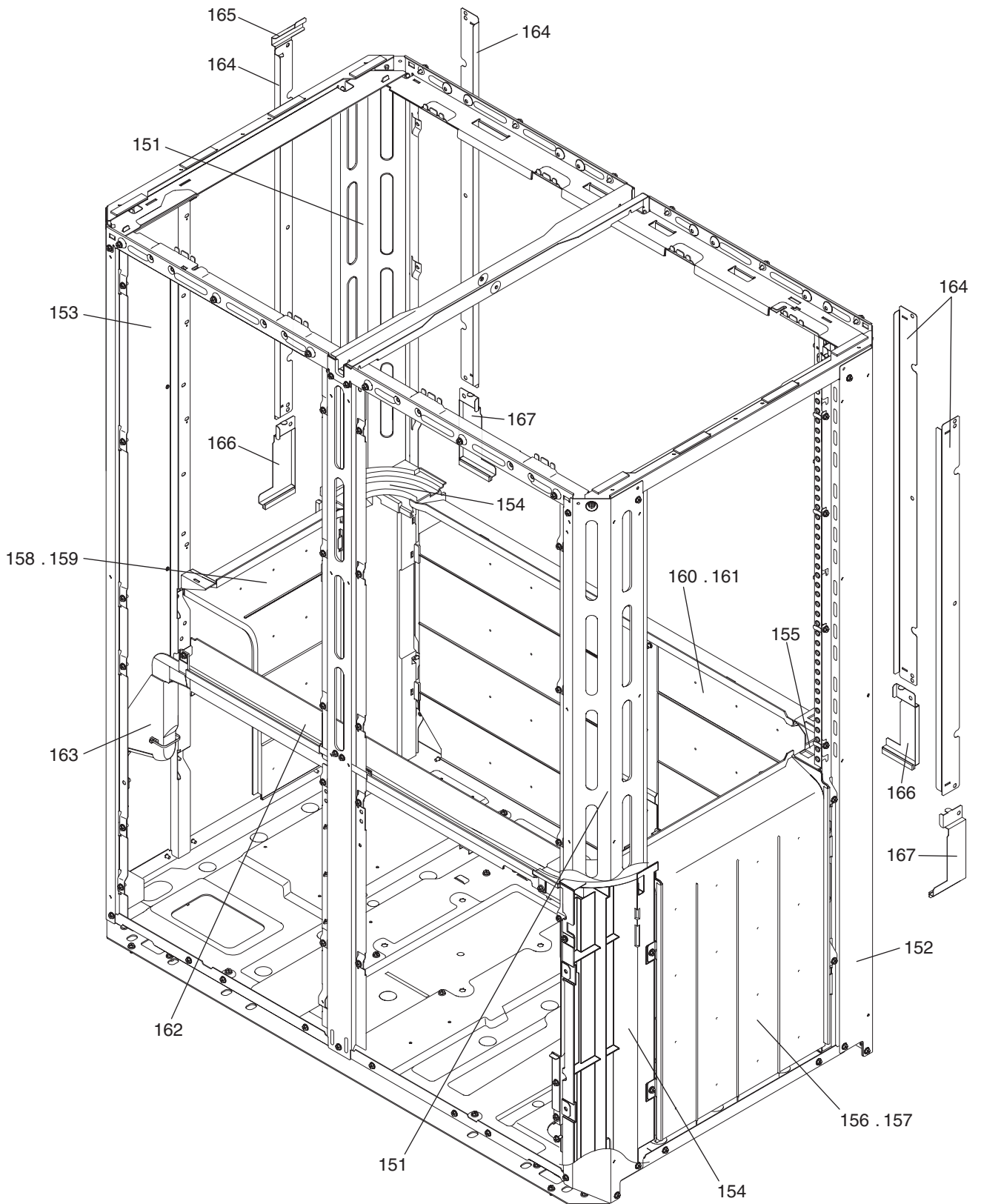
PURY-HP144YSNU-A [PURY-HP72YNU-A+PURY-HP72YNU-A]

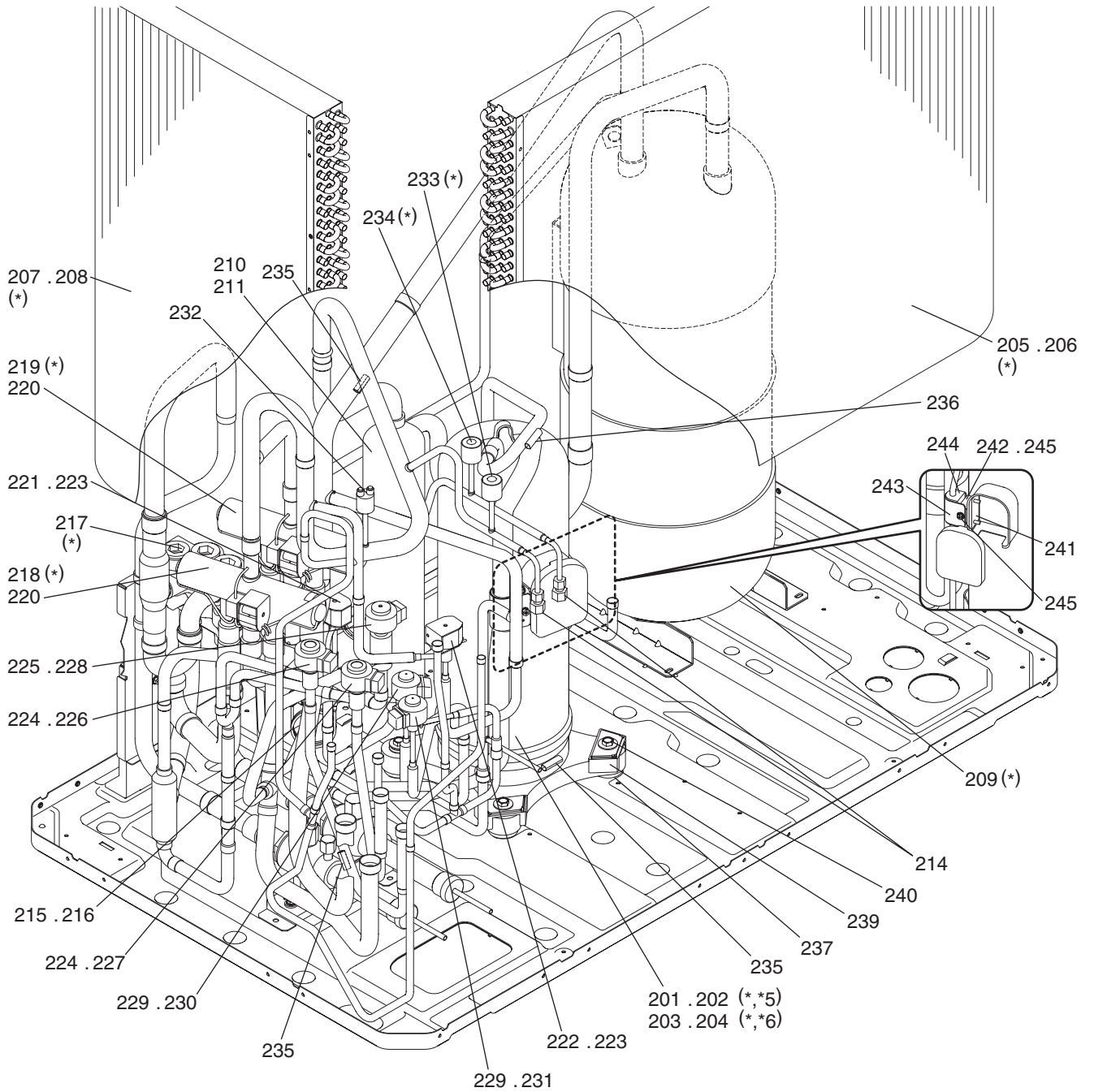
PURY-HP192YSNU-A [PURY-HP96YNU-A+PURY-HP96YNU-A]

PURY-HP240YSNU-A [PURY-HP120YNU-A+PURY-HP120YNU-A]



- *1 26 WFT Screws (part No.133)
- *2 41 WFT Screws (part No.134)
- *3 PURY-HP72TNU-A...208 H Screws (part No.135)
 PURY-HP96,HP120TNU-A...210 H Screws (part No.135)
 PURY-HP72YNU-A...215 H Screws (part No.135)
 PURY-HP96,HP120YNU-A...217 H Screws (part No.135)
- *4 4 H Screws (part No.136)

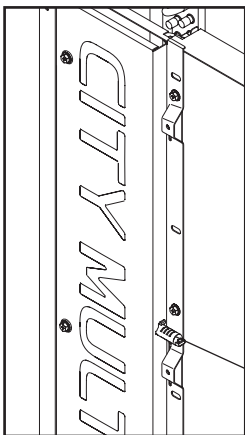




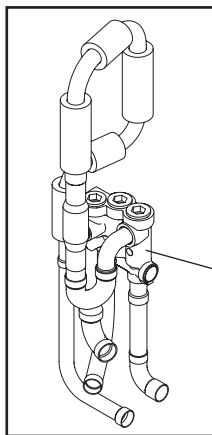
* with instructions

*5 208/230V

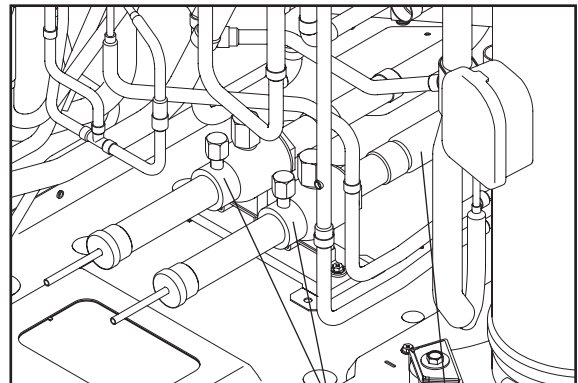
*6 460V



235
238



217 (*)

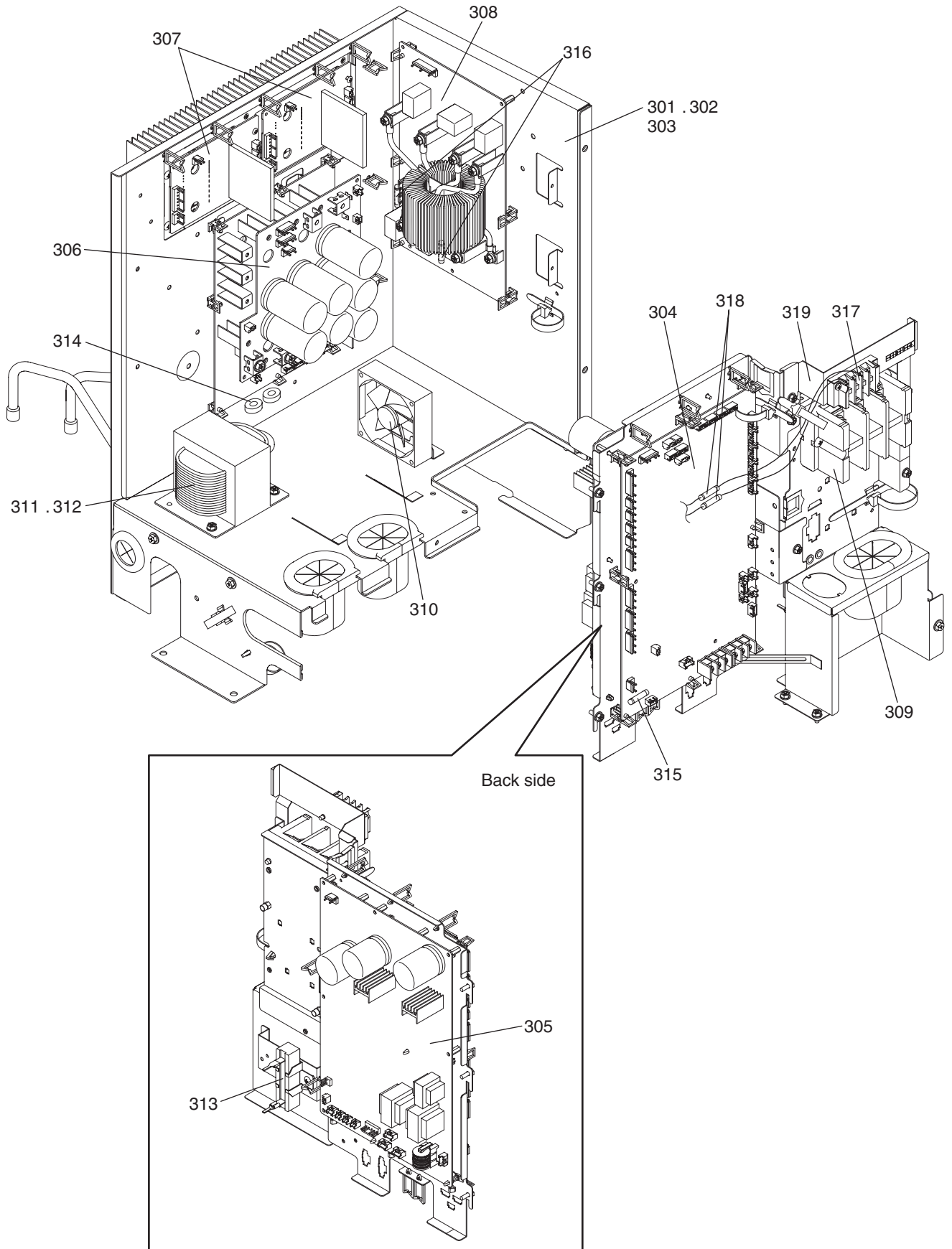


212 213

| No. | Part No. | Part Name | Spec. | PURY-HP72TNU-A | PURY-HP96TNU-A | PURY-HP120TNU-A | PURY-HP72YNU-A | PURY-HP96YNU-A | PURY-HP120YNU-A | Dwg. No. | Notes for the models | Revision info. |
|-----|-------------|-----------------------------|---------------------|----------------|----------------|-----------------|----------------|----------------|-----------------|-------------|----------------------|----------------|
| 201 | R69 189 478 | Scroll compressor SP kit | HNK68FB-U | 1 | | | | | | EP10175B05 | *,*5 208/230V | |
| 202 | R69 236 478 | Scroll compressor SP kit | HNK97FB2-U | | 1 | 1 | | | | EP10177B13 | *,*5 208/230V | Chg. |
| 203 | R69 191 478 | Scroll compressor SP kit | HNK68FB-YE | | | | 1 | | | EP10175B07 | *,*6 460V | |
| 204 | R69 237 478 | Scroll compressor SP kit | HNK97FB3-YE | | | | | 1 | 1 | EP10177B18 | *,*6 460V | Chg. |
| 205 | R61 F55 480 | Heat exchanger SP kit | 2L F | 1 | | | 1 | | | KJ00H791G03 | * | |
| 206 | R61 F57 480 | Heat exchanger SP kit | 3L F | | 1 | 1 | | 1 | 1 | KJ00H793G03 | * | |
| 207 | R61 F59 480 | Heat exchanger SP kit | 2L R | 1 | | | 1 | | | KJ00H792G03 | * | |
| 208 | R61 F61 480 | Heat exchanger SP kit | 3L R | | 1 | 1 | | 1 | 1 | KJ00H794G03 | * | |
| 209 | R61 173 484 | Accumulator assy SP kit | | 1 | 1 | 1 | 1 | 1 | 1 | KS00D242G21 | * | |
| 210 | R61 060 487 | Oil separator assy | | 1 | | | 1 | | | KL00L207G01 | | |
| 211 | R61 061 487 | Oil separator assy | | | 1 | 1 | | 1 | 1 | KL00L287G01 | | |
| 212 | R61 019 410 | Ball valve | SBV10-005 | 2 | 2 | 2 | 2 | 2 | 2 | P636404X01 | <BV1,2> | |
| 213 | R61 015 454 | Strainer | 28.6D-25.4D | 1 | 1 | 1 | 1 | 1 | 1 | P641144X01 | <ST1> | |
| 214 | R61 007 413 | Check joint L | TCJ-2GME-5 | 2 | 2 | 2 | 2 | 2 | 2 | KR50C388H01 | <CJ1,2> | |
| 215 | R63 002 425 | Capillary tube assy | | 1 | | | 1 | | | KB49F229G01 | <CP1> | |
| 216 | R61 014 425 | Capillary tube assy | | | 1 | 1 | | 1 | 1 | KB49M503G01 | <CP1> | |
| 217 | R61 092 418 | CV block SP kit | | 1 | 1 | 1 | 1 | 1 | 1 | KS00D243G02 | <CV BLOCK,CV5a>* | |
| 218 | R61 020 403 | Four way valve A SP kit | | 1 | 1 | 1 | 1 | 1 | 1 | KS00D244G03 | <21S4a>* | |
| 219 | R61 021 403 | Four way valve B SP kit | | 1 | 1 | 1 | 1 | 1 | 1 | KS00D244G04 | <21S4b>* | |
| 220 | R61 019 242 | Four way valve coil | SQ-A2520D-000028-RK | 2 | 2 | 2 | 2 | 2 | 2 | P472128X01 | <21S4a,b> | |
| 221 | R63 046 232 | Solenoid valve | FDF2A77 | 1 | 1 | 1 | 1 | 1 | 1 | P631312X01 | <SV1a> | |
| 222 | R13 018 921 | Solenoid valve | FDF4A-016-RK | 1 | 1 | 1 | 1 | 1 | 1 | P631311X01 | <SV2> | |
| 223 | R61 069 243 | Solenoid valve coil | FQ-A0120D-001734-RK | 2 | 2 | 2 | 2 | 2 | 2 | P472129X01 | <SV1a,2> | |
| 224 | R61 107 401 | Linear expansion valve | PAM-BB0YGMD-2 | 2 | 2 | 2 | 2 | 2 | 2 | KR50C486H01 | <LEV2a,2b> | |
| 225 | R61 112 401 | Linear expansion valve | PDM-BD130MD-1 | 1 | 1 | 1 | 1 | 1 | 1 | P632630X01 | <LEV2d> | |
| 226 | R61 142 401 | Linear expansion valve coil | PAM-MD12MD-17 | 1 | 1 | 1 | 1 | 1 | 1 | P472109X01 | <LEV2a> | Chg. |
| 227 | R61 143 401 | Linear expansion valve coil | PAM-MD12MD-18 | 1 | 1 | 1 | 1 | 1 | 1 | P472110X01 | <LEV2b> | Chg. |
| 228 | R61 145 401 | Linear expansion valve coil | PAM-MD12MD-20 | 1 | 1 | 1 | 1 | 1 | 1 | P472112X01 | <LEV2d> | Chg. |
| 229 | R63 R34 401 | Linear expansion valve | CAM-B35YGMD-2 | 2 | 2 | 2 | 2 | 2 | 2 | P632416X01 | <LEV4,9> | |
| 230 | R61 120 401 | Linear expansion valve coil | CAM-MD12MD-128 | 1 | 1 | 1 | 1 | 1 | 1 | P472131X01 | <LEV4> | |
| 231 | R61 111 401 | Linear expansion valve coil | CAM-MD12MD-125 | 1 | 1 | 1 | 1 | 1 | 1 | P472113X01 | <LEV9> | |
| 232 | R61 052 208 | Pressure switch | ACB-1UB179W | 1 | 1 | 1 | 1 | 1 | 1 | P426346X01 | <63H> | |
| 233 | R61 098 288 | Pressure sensor | NSK-BH042D-501 | 1 | 1 | 1 | 1 | 1 | 1 | KB00H904G32 | <63HS>* | |
| 234 | R61 138 288 | Pressure sensor | NSK-BH017D-602 | 1 | 1 | 1 | 1 | 1 | 1 | KB00H904G33 | <63LS>* | Chg. |
| 235 | R61 345 200 | Thermistor | PXM-41E-M112-1Y | 4 | 4 | 4 | 4 | 4 | 4 | P418167X01 | <TH3,5,7,15> | |
| 236 | R63 911 202 | Thermistor | | 1 | 1 | 1 | 1 | 1 | 1 | P425416X02 | <TH4> | |
| 237 | R63 852 860 | Rubber mount | | 4 | 4 | 4 | 4 | 4 | 4 | W897574H01 | For compressor | |
| 238 | R61 001 310 | Sensor holder | | 1 | 1 | 1 | 1 | 1 | 1 | KB25B471H04 | | Chg. |
| 239 | R61 027 155 | Attachment (HH) | | 2 | 2 | 2 | 2 | 2 | 2 | KJ00F713G04 | | |
| 240 | R61 009 306 | Bolt | M6 | 4 | 4 | 4 | 4 | 4 | 4 | KJ12F711H05 | | |
| 241 | R61 001 132 | Attachment | | 1 | 1 | 1 | 1 | 1 | 1 | KB02K008H01 | | |
| 242 | R61 005 609 | Attachment Saddle | | 1 | 1 | 1 | 1 | 1 | 1 | KL00L214G03 | | |
| 243 | R61 003 456 | Saddle | | 1 | 1 | 1 | 1 | 1 | 1 | KJ02K540H01 | | |
| 244 | R11 934 905 | Packing | | 2 | 2 | 2 | 2 | 2 | 2 | W483653G03 | | |
| 245 | R61 010 087 | Screw upset | M5 x 12 | 3 | 3 | 3 | 3 | 3 | 3 | S516322H01 | | |

PURY-HP72TNU-A
 PURY-HP96TNU-A
 PURY-HP120TNU-A

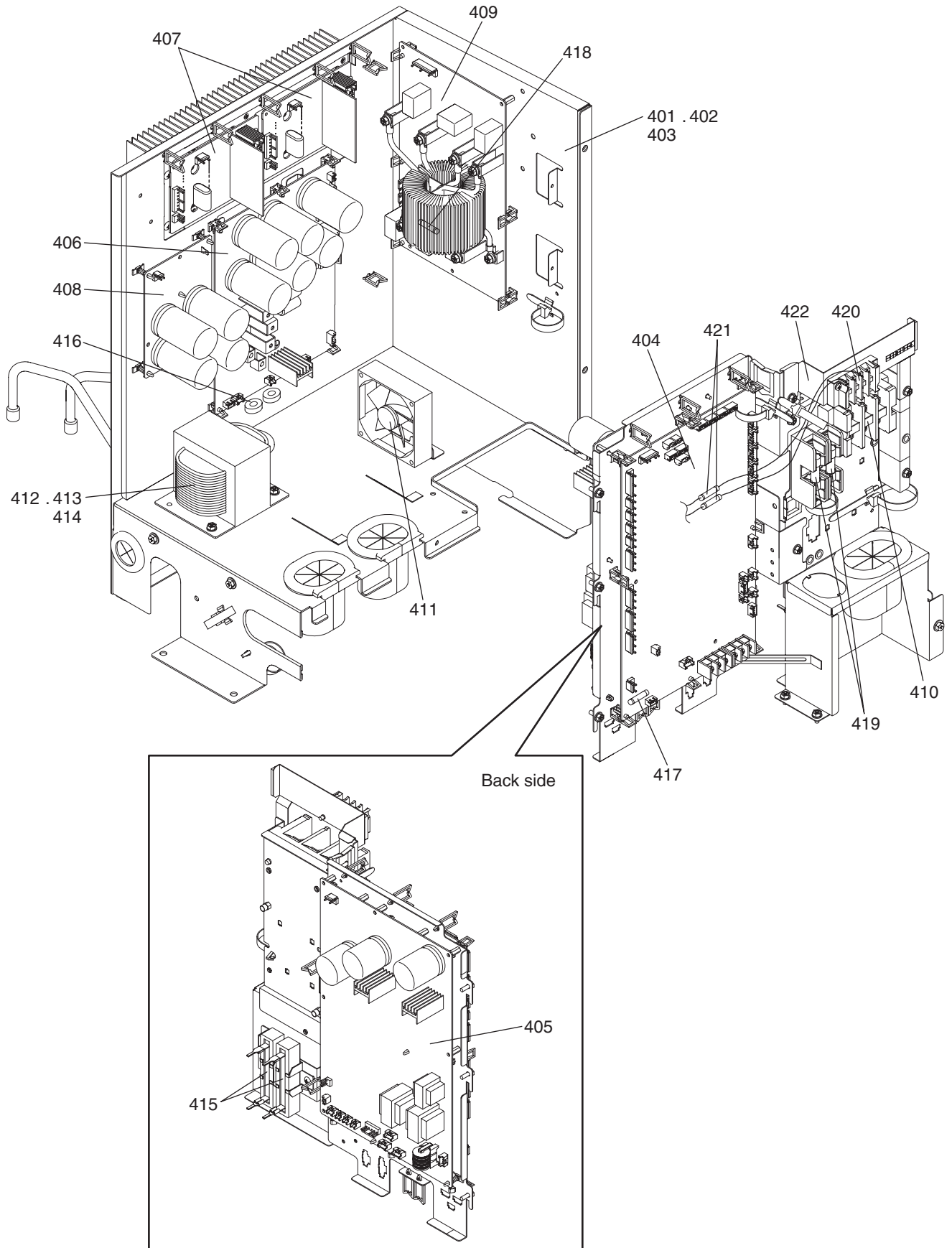
CONTROL BOX PARTS (1)



Notice: Consult your service agency when the wiring needs to be replaced.
 (Replacing wiring will take about 2 months.)

PURY-HP72YNU-A
PURY-HP96YNU-A
PURY-HP120YNU-A

CONTROL BOX PARTS (2)



Notice: Consult your service agency when the wiring needs to be replaced.
(Replacing wiring will take about 2 months.)

mitsubishi
electric
corporation

BWE01906A (20240531)