

# PARTS CATALOG

<Outdoor unit>

[Model Name]

[Service Ref.]

PUMY-P36NKMU1

**PUMY-P36NKMU1**

PUMY-P48NKMU1

**PUMY-P48NKMU1**

Salt proof model

PUMY-P36NKMU1-BS

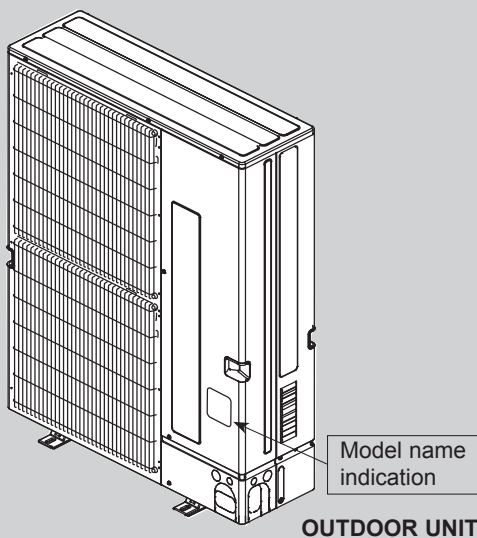
**PUMY-P36NKMU1-BS**

PUMY-P48NKMU1-BS

**PUMY-P48NKMU1-BS**

Notes:

- RoHS compliant products have <G> mark on spec name plate.
- For servicing of RoHS compliant products, refer to RoHS PARTS LIST.



## CONTENTS

- |                         |   |
|-------------------------|---|
| 1. RoHS PARTS LIST..... | 2 |
| 2. OPTIONAL PARTS.....  | 6 |

**SERVICE MANUAL (OCH612)**

1

RoHS PARTS LIST

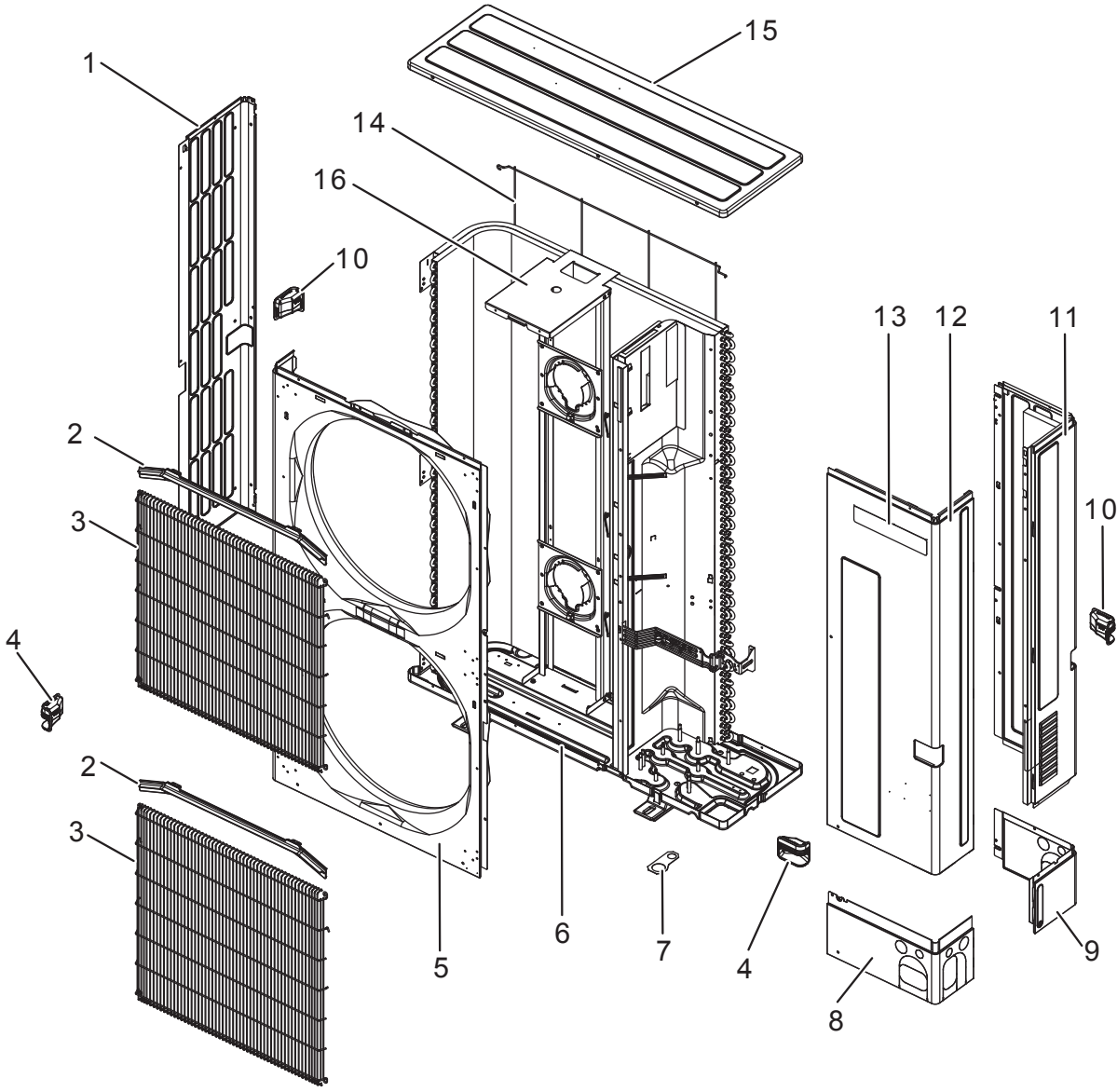
STRUCTURAL PARTS

PUMY-P36NKMU1

PUMY-P48NKMU1

PUMY-P36NKMU1-BS

PUMY-P48NKMU1-BS



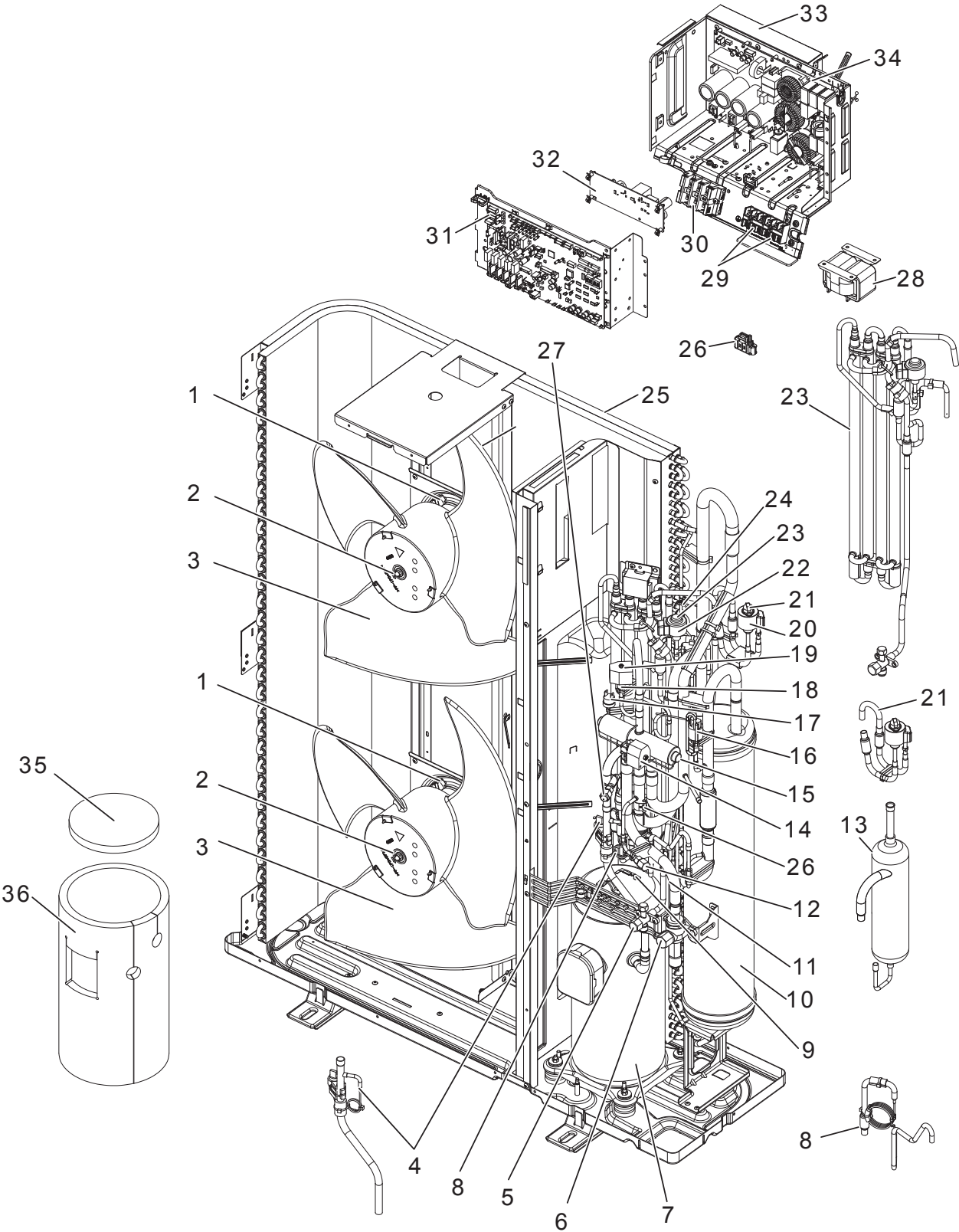
# RoHS PARTS LIST

No.	RoHS	Parts No.	Parts Name	Specification	Q'ty/unit				Remarks (Drawing No.)
					PJMY-P36NKMU1	PJMY-P36NKMU1-BS	PJMY-P48NKMU1	PJMY-P48NKMU1-BS	
1	G	R01 E30 662	SIDE PANEL (L)		1	1	1	1	
2	G	R01 E02 631	ICE GUARD		2	2	2	2	
3	G	R01 E73 691	WIRE GRILLE		2	2	2	2	
4	G	R01 E05 655	HANDLE (FRONT)		2	2	2	2	
5	G	R01 E23 668	FRONT PANEL		1	1	1	1	
6	G	R01 E53 686	BASE ASSY		1	1	1	1	
7	G	T7W E04 617	CONDUIT PLATE		1	1	1	1	
8	G	R01 E35 658	COVER PANEL (FRONT)		1	1	1	1	
9	G	R01 E36 658	COVER PANEL (REAR)		1	1	1	1	
10	G	R01 E06 655	HANDLE (REAR)		2	2	2	2	
11	G	R01 E55 661	SIDE PANEL (R)		1	1	1	1	
12	G	T7W E20 668	SERVICE PANEL		1	1	1	1	
13	G	R01 A06 005	BRAND LABEL	CITY MULTI	1	1	1	1	
14	G	R01 E10 698	REAR GUARD		1	1	1	1	
15	G	R01 E36 641	TOP PANEL		1	1	1	1	
16	G	R01 E59 130	MOTOR SUPPORT		1	1	1	1	

# RoHS PARTS LIST

FUNCTIONAL PARTS  
PUMY-P36NKMU1  
PUMY-P48NKMU1

PUMY-P36NKMU1-BS  
PUMY-P48NKMU1-BS



# RoHS PARTS LIST

Parts numbers that are circled are not shown in the figure.

No.	RoHS	Parts No.	Parts Name	Specification	Q'ty/unit				Remarks (Drawing No.)	Wiring Diagram Symbol
					PUMY-P36NKMU1	PUMY-P36NKMU1-BS	PUMY-P48NKMU1	PUMY-P48NKMU1-BS		
1	G	T7W A05 221	FAN MOTOR		2	2	2	2		MF1, MF2
2	G	R01 E09 097	NUT		2	2	2	2		
3	G	R01 E14 115	PROPELLER FAN		2	2	2	2		
4	G	R01 E12 208	HIGH PRESSURE SENSOR ASSY		1	1	1	1		63HS
5	G	T7W E04 410	STOP VALVE 3/8F	3/8	1	1	1	1		
6	G	T7W E06 411	BALL VALVE 5/8F	5/8	1	1	1	1		
7	G	T97 435 077	COMPRESSOR	ANB33FNHMT	1	1	1	1	Including RUBBER MOUNT	MC
8	G	R01 E00 426	CT ASSY		1	1	1	1		
9	G	R01 E36 201	THERMISTOR	Compressor	1	1	1	1		TH4
10	G	R01 E73 440	ACCUMULATOR		1	1	1	1		
11	G	R01 H97 202	THERMISTOR	HIC Pipe	1	1	1	1		TH2
12	G	R01 E12 413	CHARGE PLUG		1	1	1	1		
13	G	R01 E15 490	OIL SEPARATOR		1	1	1	1		
14	G	T7W E70 242	SOLENOID COIL		1	1	1	1		21S4
15	G	R01 E40 403	4-WAY VALVE		1	1	1	1		
16	G	R01 E03 209	LOW PRESSURE SENSOR		1	1	1	1		63LS
17	G	T7W E07 208	HIGH PRESSURE SWITCH		1	1	1	1		63H
18	G	T7W E03 428	SOLENOID VALVE	Bypass Valve(SV1)	1	1	1	1		
19	G	T7W E71 242	SOLENOID COIL		1	1	1	1	GRAY	SV1
20	G	R01 H21 242	LEV COIL	UKV type	1	1	1	1	WHITE	LEV-A
21	G	R01 H63 401	LEV-A ASSY		1	1	1	1	Including LEV COIL	
22	G	R01 H36 242	LEV COIL	CAM type	1	1	1	1	RED	LEV-B
23	G	T7W E80 401	LEV-B ASSY		1	1	1	1	Including LEV COIL and STOP VALVE	
24	G	R01 H87 202	THERMISTOR	Outdoor Liquid Pipe	1	1	1	1		TH3
25	G	R01 H48 408	HEAT EXCHANGER		1	1	1	1		
26	G	R01 H99 202	THERMISTOR	Suction Pipe, Ambient	1	1	1	1	Combined Port	TH6, TH7
27	G	T7W E13 413	CHARGE PLUG		1	1	1	1		
28	G	R01 E51 259	REACTOR		1	1	1	1		DCL
29	G	R01 E27 246	TERMINAL BLOCK	3P (M1, M2, S)	2	2	2	2		TB3, TB7
30	G	T7W 603 246	TERMINAL BLOCK	3P (L1, L2, GR)	1	1	1	1		TB1
31	G	R01 AX3 350	MULTI CONTROLLER CIRCUIT BOARD		1	1	1	1		MULTI.B.
32	G	R01 E06 311	M-NET POWER CIRCUIT BOARD		1	1	1	1		M-NET P.B.
33	G	R01 A10 371	HEAT SINK		1	1	1	1		
34	G	T7W AX0 323	POWER CIRCUIT BOARD		1	1	1	1		P.B.
35	G	R01 A57 602	COMP FELT (TOP)		1	1	1	1		
36	G	R01 A71 602	COMP FELT (BODY)		1	1	1	1		
37	G	R01 E45 510	LEAD ASSY COMP		1	1	1	1		
38	G	R01 E14 239	FUSE	6.3A 250V	2	2	2	2		F1, F2

## 2

## OPTIONAL PARTS

## DRAIN SOCKET

Part No.	PAC-SG61DS-E
----------	--------------

## AIR OUTLET GUIDE

Part No.	PAC-SH96SG-E
----------	--------------

Note: Need 2 pieces.

## AIR PROTECT GUIDE

Part No.	PAC-SH95AG-E
----------	--------------

Note: Need 2 pieces.

## CENTRALIZED DRAIN PAN

Part No.	PAC-SH97DP-E
----------	--------------

## BRANCH PIPE (Joint)

Part No.	NUMBER OF BRANCHING POINTS
CMY-Y62-G-E	2
CMY-Y64-G-E	4
CMY-Y68-G-E	8

## DEFROST HEATER

Part No.	PAC-SJ20BH-E
----------	--------------

## JOINT PIPE (Unit → Extension pipe)

Part No.	MAC-A454JP-E ( $\phi$ 9.52 [3/8] → $\phi$ 12.7 [1/2])
	PAC-SG76RJ-E ( $\phi$ 9.52 [3/8] → $\phi$ 15.88 [5/8])
	PAC-493PI ( $\phi$ 6.35 [1/4] → $\phi$ 9.52 [3/8])
	MAC-A456JP-E ( $\phi$ 12.7 [1/2] → $\phi$ 15.88 [5/8])

## EXTERNAL LEV BOX

Part No.	PAC-SG95LE-E
----------	--------------

# MITSUBISHI ELECTRIC CORPORATION

HEAD OFFICE : TOKYO BUILDING, 2-7-3, MARUNOUCHI, CHIYODA-KU, TOKYO 100-8310, JAPAN