

SERVICE PARTS LIST FOR MITSUBISHI ELECTRIC PACKAGED AIR-CONDITIONERS

Series : PLFY-P•NLMU-E

For use with the R410A

REVISED

Aug. 2022

BWE0513G

INDEX

PLFY-P06NLMU-E

PLFY-P08NLMU-E

PLFY-P12NLMU-E

PLFY-P15NLMU-E

PLFY-P18NLMU-E

Part information update day : 2022/07/29

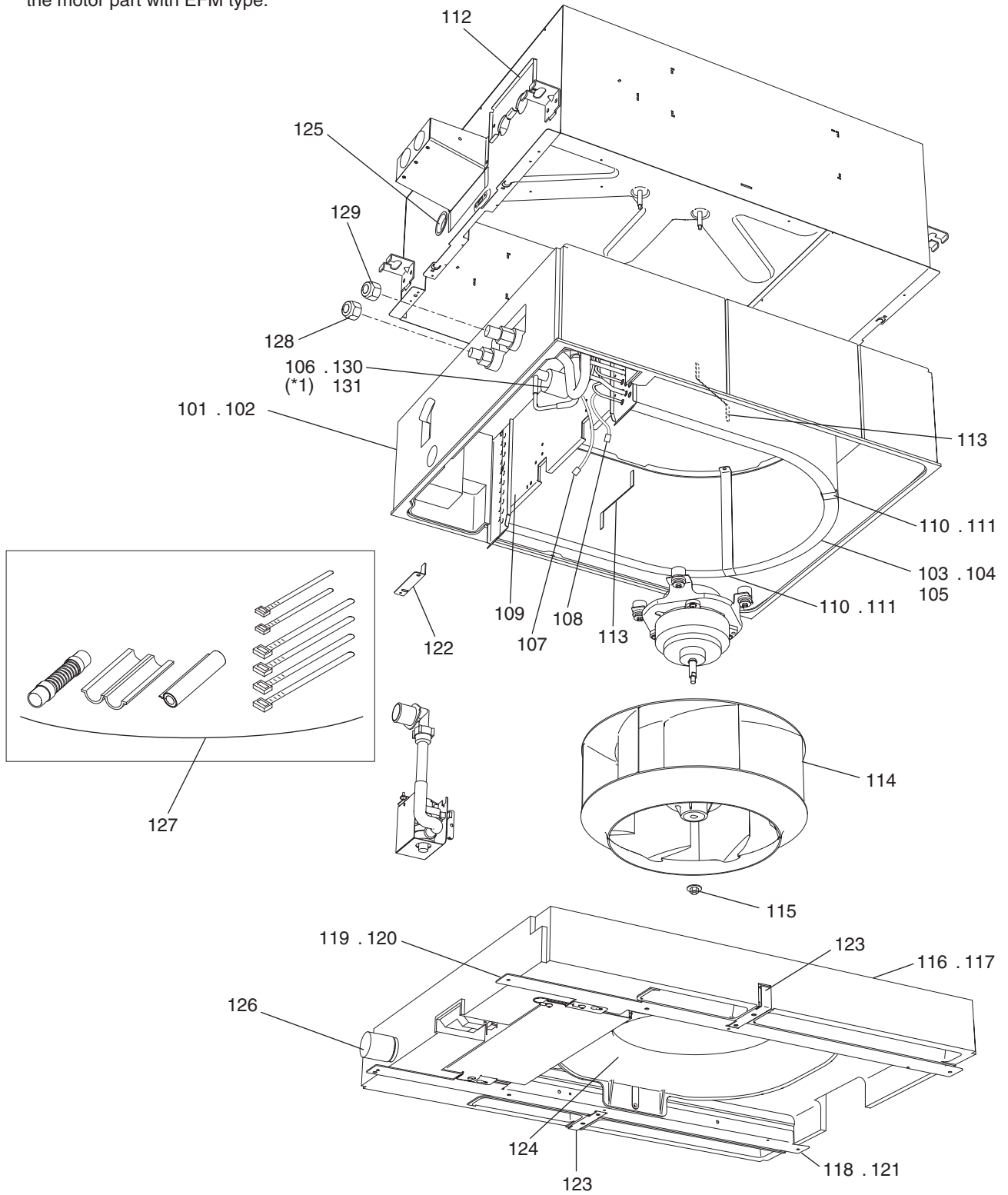
Please change the old catalog (issued Aug. 2020, BWE0513F) to this new catalog.
Content of revision : Some of parts are changed.

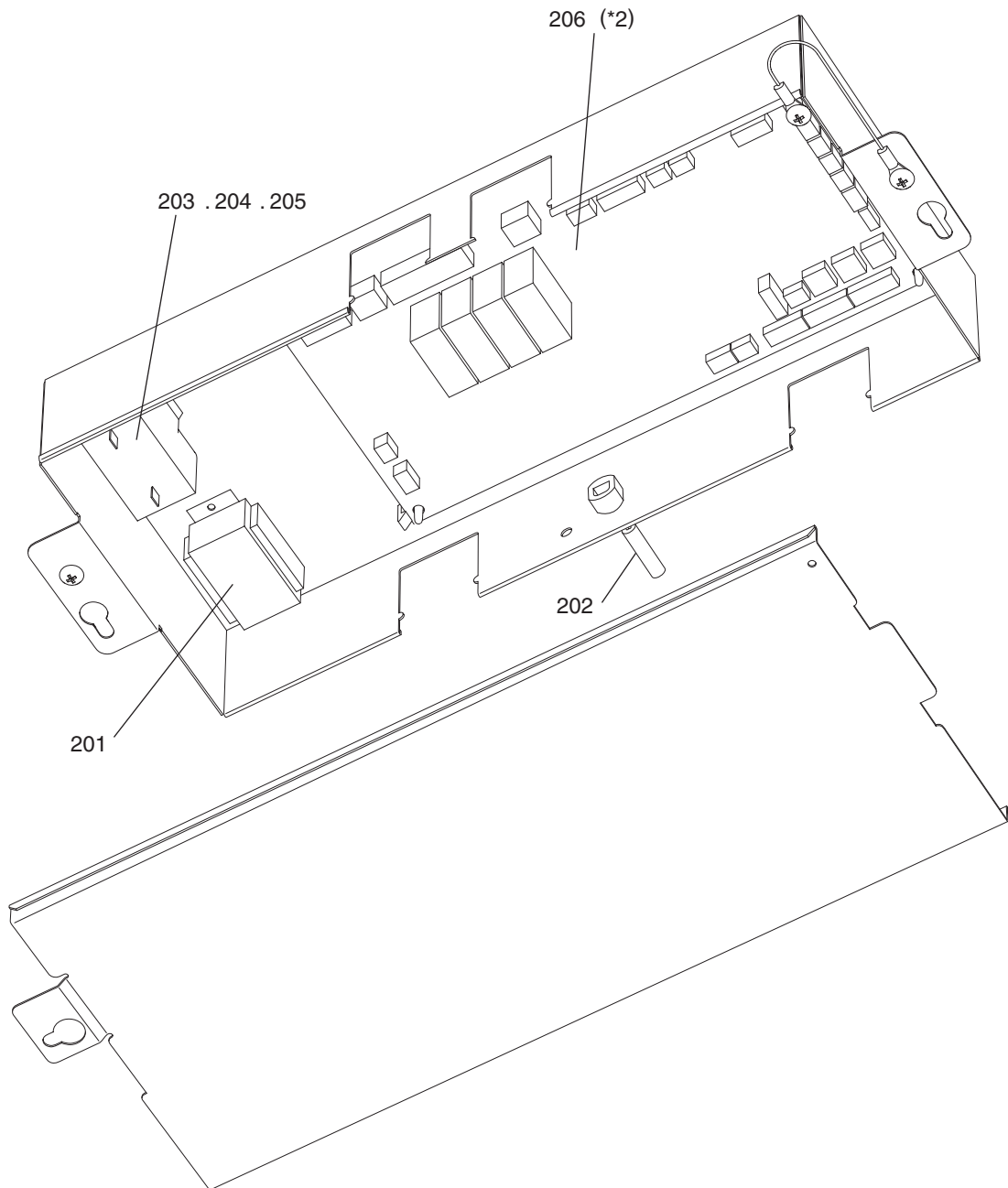


**PLFY-P06,P08,P12NLMU-E
PLFY-P15,P18NLMU-E**

EXTERNAL PARTS

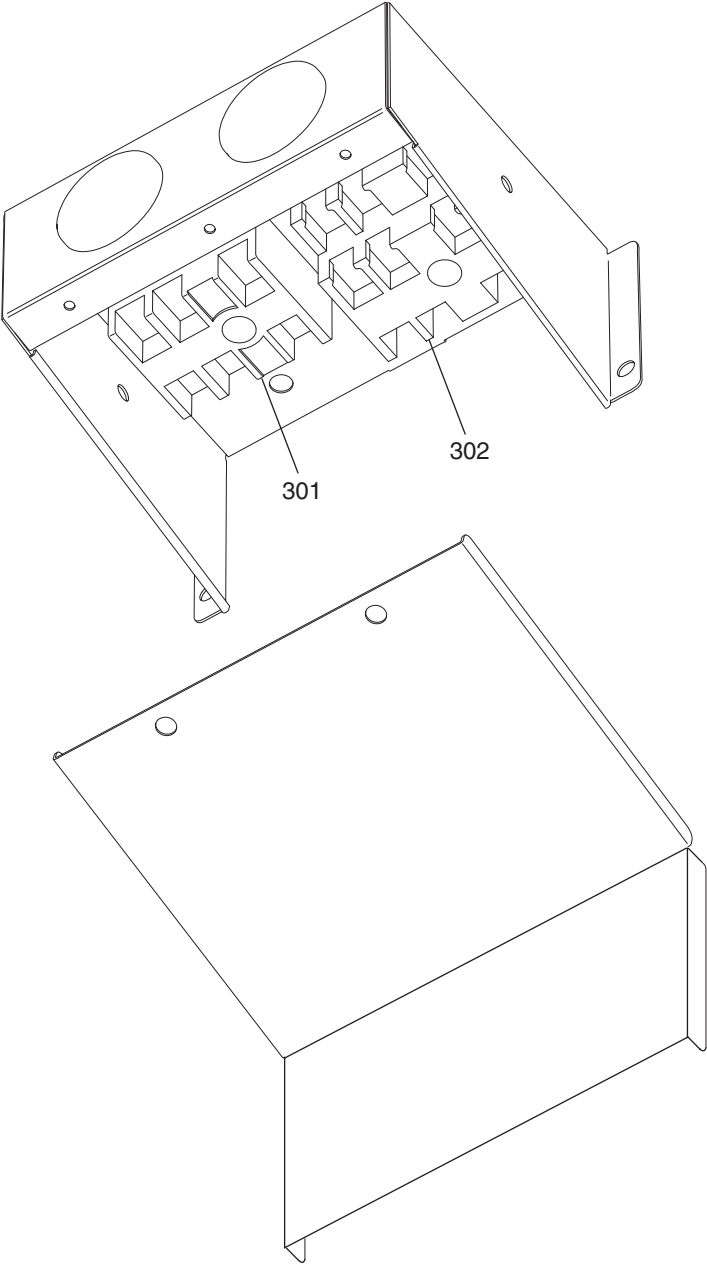
*1 Products manufactured in or before July 2020 have the EFM-type LEV. Products manufactured in or after Aug. 2020 have the PAM-type LEV. Replace the EFM-type LEV with the PAM-type LEV, using parts 106 and 130. Please order 131 when replacing only the motor part with EFM type.





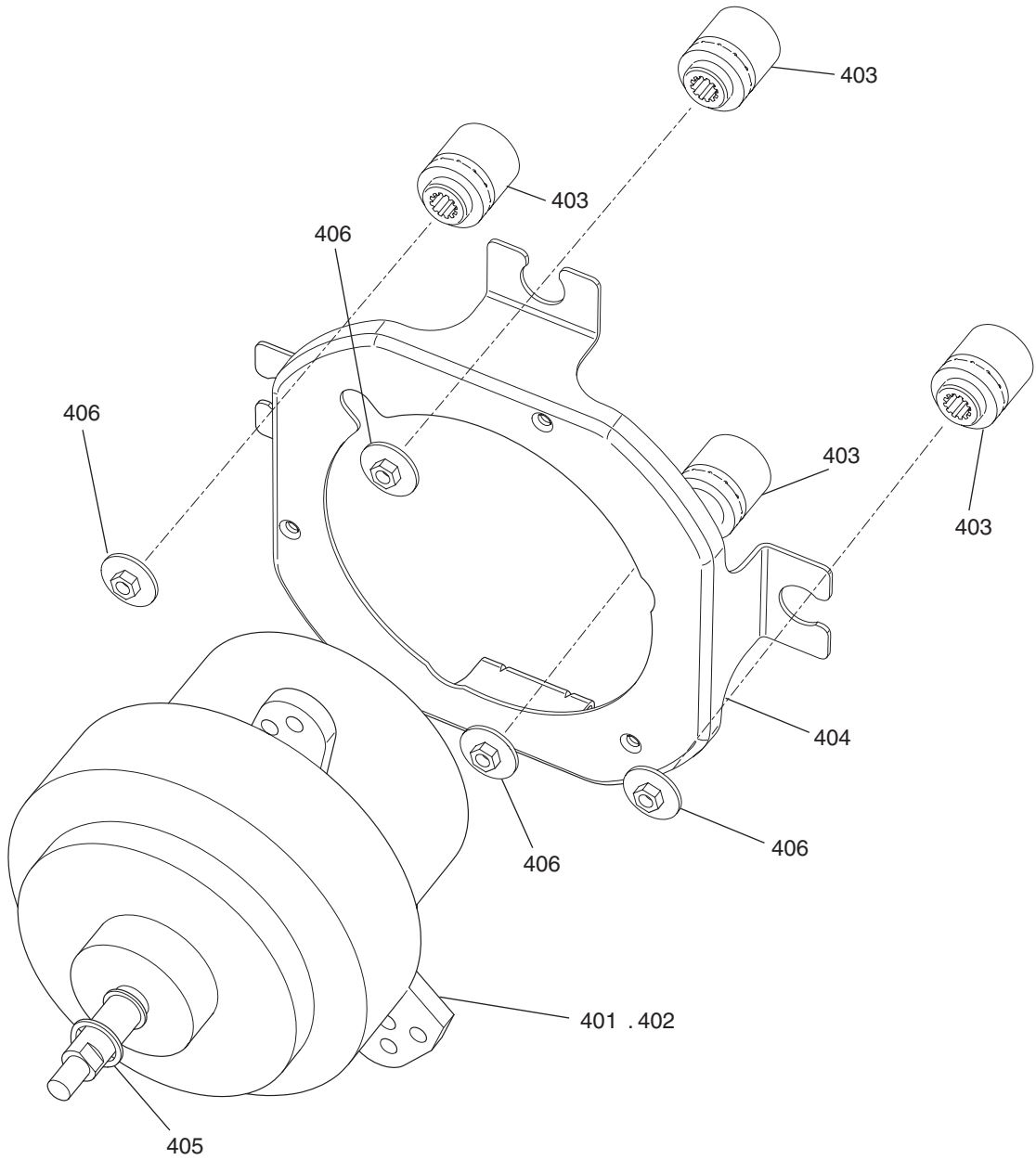
*2 For the products whose serial number is 24W***** or later, be sure to use No. 207.
 For the products whose serial number is 13W***** or earlier, both No. 206 and 207 can be used.
 No. 206 will be supplied as long as the stock is available,
 and only No. 207 will be supplied after the existing stock of No. 206 is depleted.

	~13W*****	24W*****~
No.206	USE	NOT USE
No.207	USE	USE



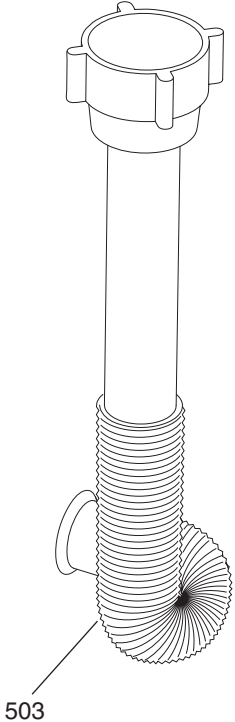
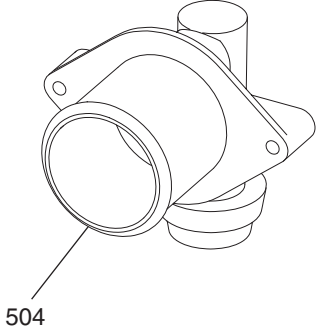
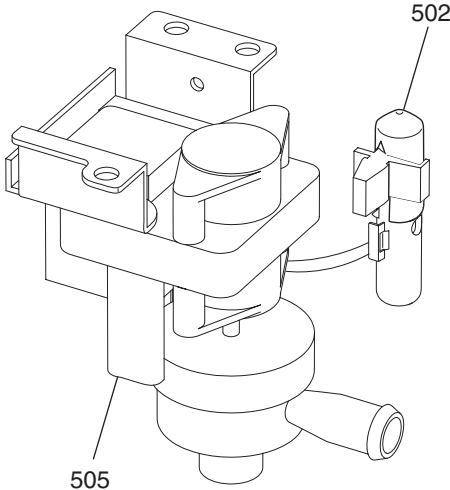
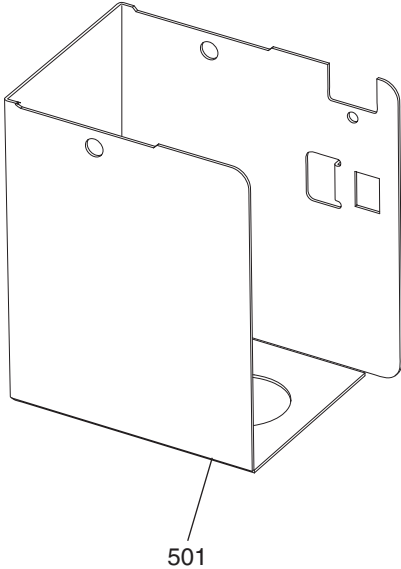
PLFY-P06,P08,P12NLMU-E
PLFY-P15,P18NLMU-E

BLOWER PARTS



PLFY-P06,P08,P12NLMU-E
PLFY-P15,P18NLMU-E

DRAIN PUMP PARTS



mitsubishi
MITSUBISHI ELECTRIC CORPORATION

BWE0513G (20220831)