

PARTS CATALOG

CITY MULTI Series Ceiling Cassettes

R410A

Indoor unit

[Model Name]

[Service Ref.]

PLFY-P08NEMU-E	PLFY-P08NEMU-E
PLFY-P12NEMU-E	PLFY-P12NEMU-E
PLFY-P15NEMU-E	PLFY-P15NEMU-E
PLFY-P18NEMU-E	PLFY-P18NEMU-E
PLFY-P24NEMU-E	PLFY-P24NEMU-E
PLFY-P30NEMU-E	PLFY-P30NEMU-E
PLFY-P36NEMU-E	PLFY-P36NEMU-E
PLFY-P48NEMU-E	PLFY-P48NEMU-E

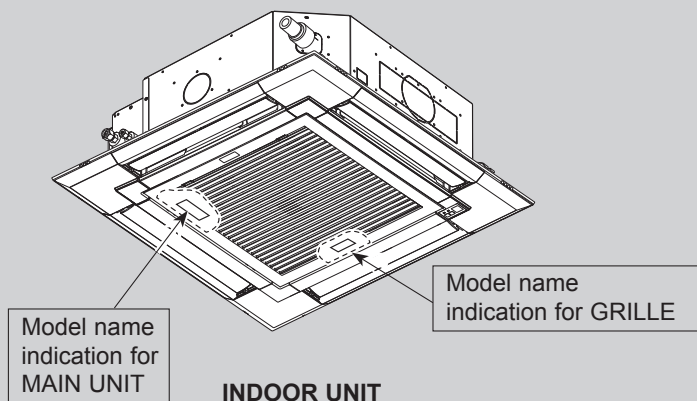
Note:

- Parts catalog has been updated in REVISED EDITION-A.

OCB611 is void.

Notes:

- RoHS compliant products have <G> mark on the spec name plate.



CONTENTS

1. SERVICE PARTS LIST (RoHS)..... 2
2. OPTIONAL PARTS 6

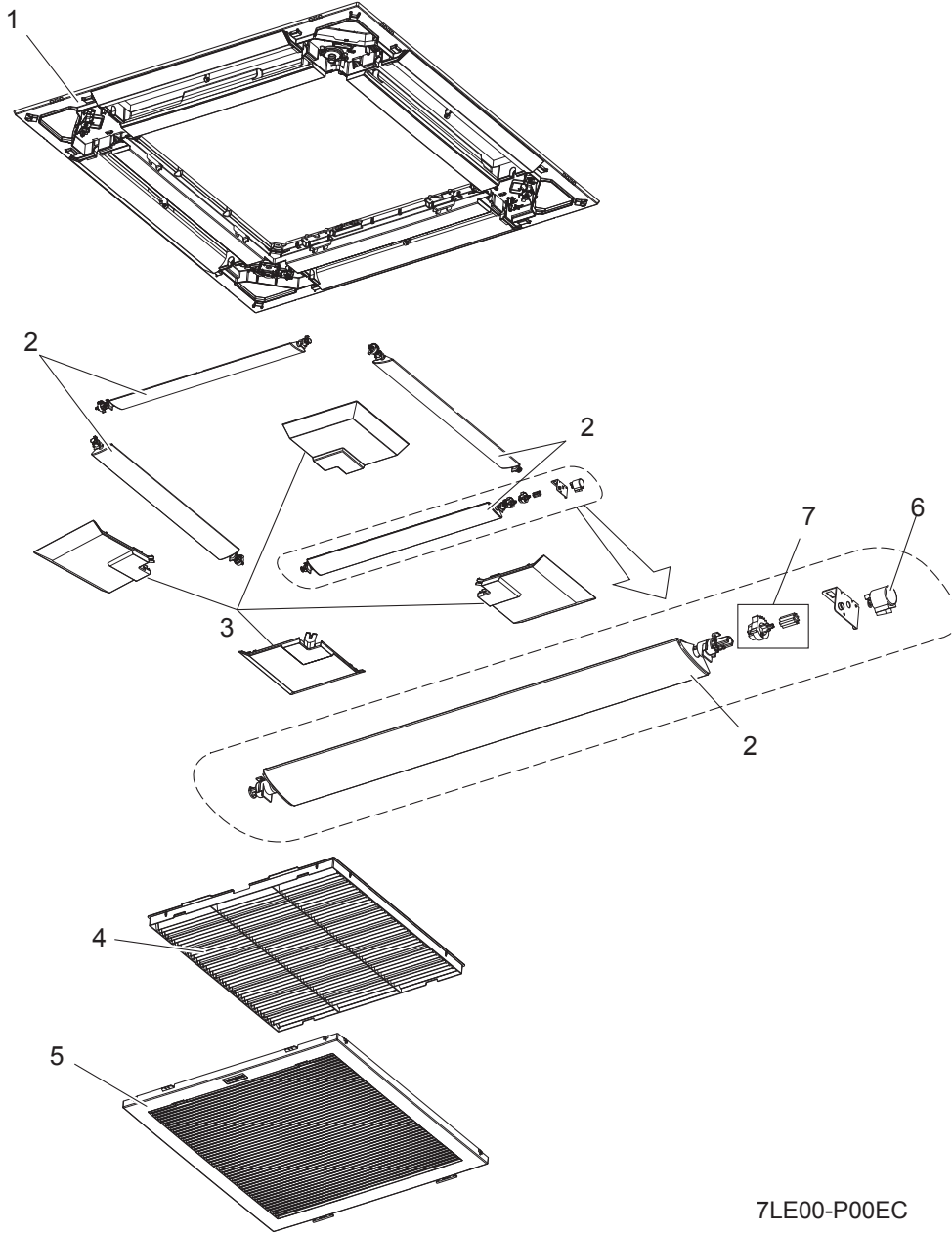
SERVICE MANUAL (OCH611)

Panel model: PLP-40EAU

CITY MULTI

1

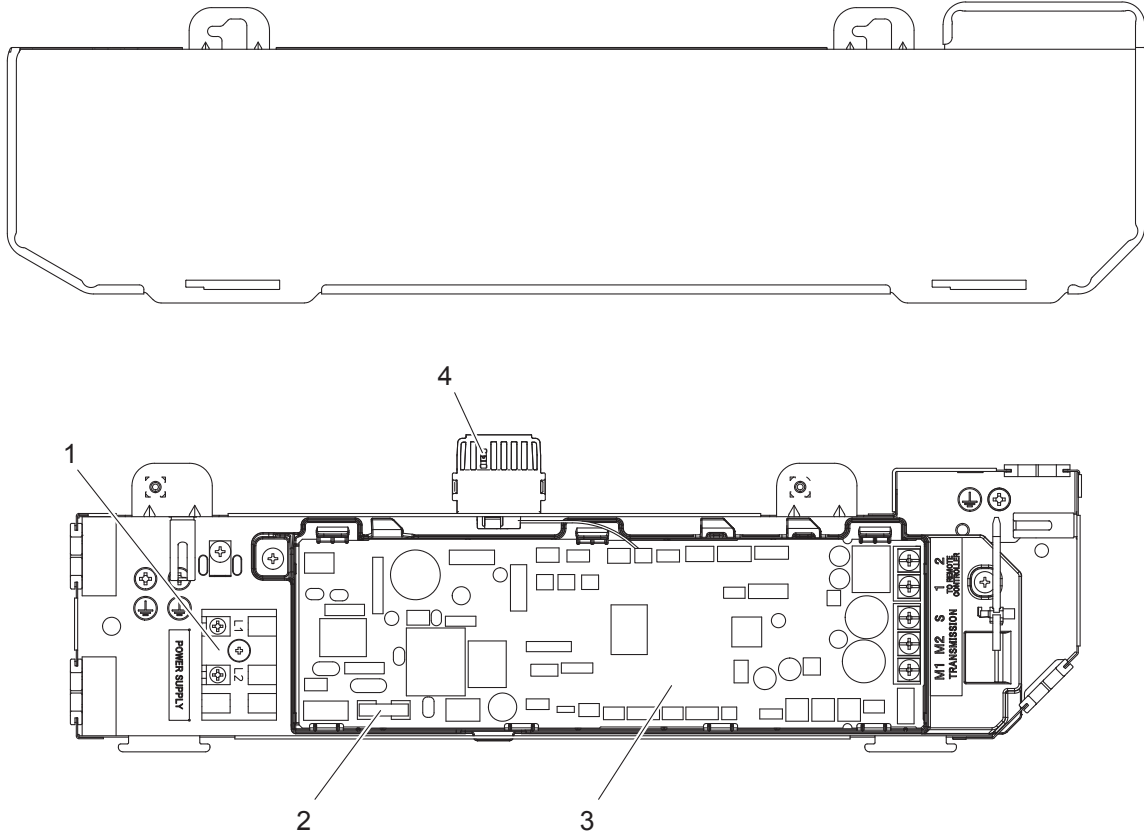
SERVICE PARTS LIST (RoHS)



7LE00-P00EC

No.	RoHS	Parts No.	Parts Name	Specification	Q'ty/unit	Remarks (Drawing No.)	Wiring Diagram Symbol	Recom- mended Q'ty
					PLP-40EAU			
1	G	R01 E38 003	PANEL ASSY		1			
2	G	R01 E50 002	VANE & BUSH ASSY		4			
3	G	R01 E24 638	CORNER PANEL		4			
4	G	R01 E31 500	L. L. FILTER		1			
5	G	R01 E77 691	INTAKE GRILLE		1			
6	G	R01 E19 223	STEPPING MOTOR		4		MV	
7	G	R01 E06 040	GEARS SET		4			

SERVICE PARTS LIST (RoHS)



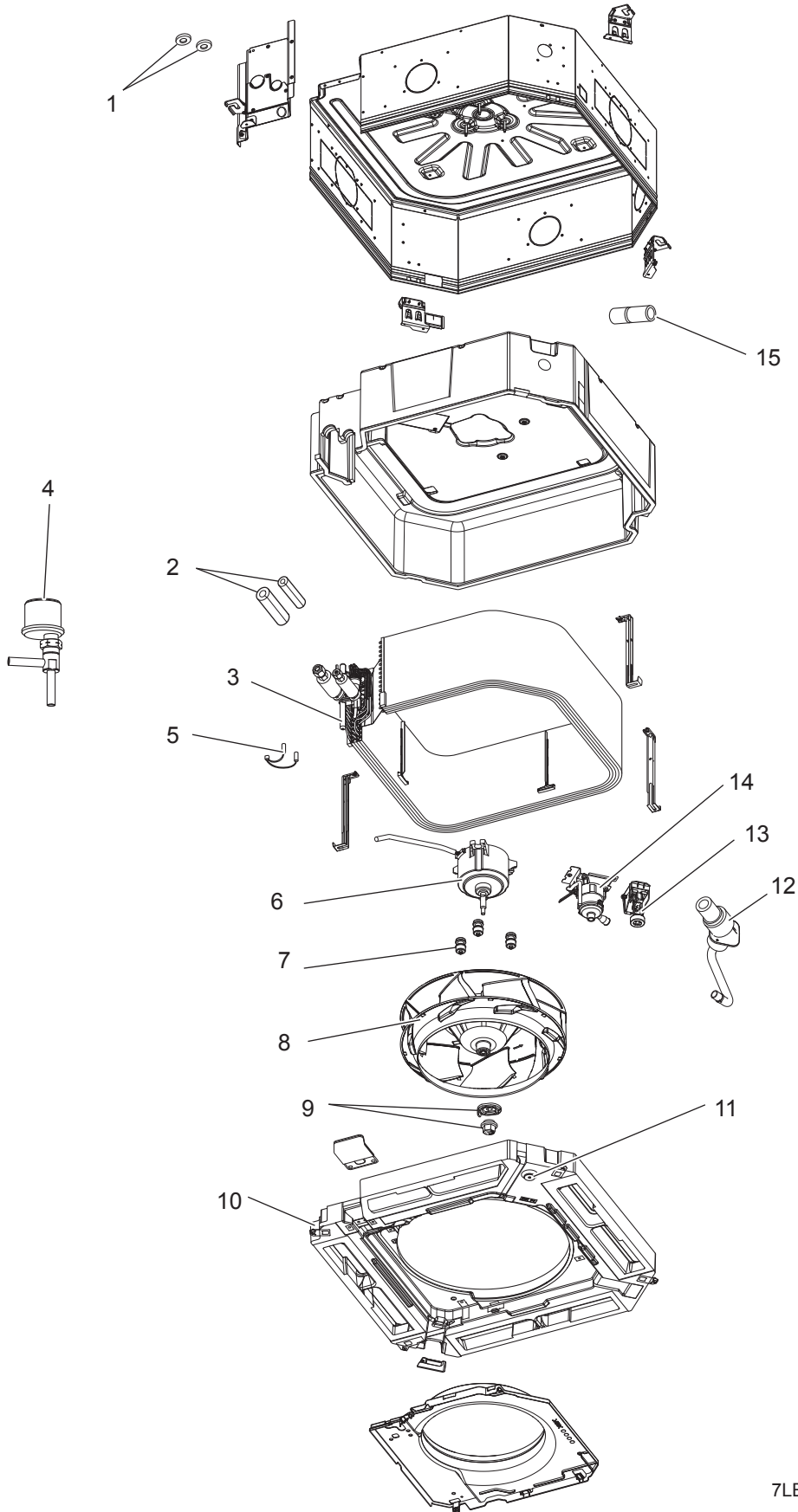
7LE00-E00EM

No.	RoHS	Parts No.	Parts Name	Specification	Q'ty/unit								Remarks (Drawing No.)	Wiring Diagram Symbol	Recom- mended Q'ty	
					PLFY-P08NEMU-E	PLFY-P12NEMU-E	PLFY-P15NEMU-E	PLFY-P18NEMU-E	PLFY-P24NEMU-E	PLFY-P30NEMU-E	PLFY-P36NEMU-E	PLFY-P48NEMU-E				
1	G	T7W E00 246	TERMINAL BLOCK-L1/L2	2P (L1,L2)									1		TB2	
2	G	R01 E14 239	FUSE 6.3A 250V	6.3A, 250V									1		FUSE	
3	G	T7W M00 310	CONTROLLER BOARD										1		I.B	
4	G	T7W S00 202	THERMISTOR-S										1		TH21	

SERVICE PARTS LIST (RoHS)

STRUCTURAL AND FUNCTIONAL PARTS

PLFY-P08NEMU-E
PLFY-P12NEMU-E
PLFY-P15NEMU-E
PLFY-P18NEMU-E
PLFY-P24NEMU-E
PLFY-P30NEMU-E
PLFY-P36NEMU-E
PLFY-P48NEMU-E



7LE00-A01EM

SERVICE PARTS LIST (RoHS)

No.	RoHS	Parts No.	Parts Name	Specifi- cation	Q'ty/unit								Remarks (Drawing No.)	Wiring Diagram Symbol	Recom- mended Q'ty
					PLFY-P08NEMU-E	PLFY-P12NEMU-E	PLFY-P15NEMU-E	PLFY-P18NEMU-E	PLFY-P24NEMU-E	PLFY-P30NEMU-E	PLFY-P36NEMU-E	PLFY-P48NEMU-E			
1	G	R01 E15 097	WASHERS SET		1	1	1	1	1	1	1	1			
2	G	R01 E06 660	PIPE COVERS SET		1	1	1	1	1	1	1	1			
3	G	R01 L50 480	HEAT EXCHANGER		1	1									
	G	R01 L51 480	HEAT EXCHANGER				1	1							
	G	R01 L63 480	HEAT EXCHANGER						1						
	G	R01 L57 480	HEAT EXCHANGER							1					
	G	R01 L59 480	HEAT EXCHANGER								1				
	G	R01 L60 480	HEAT EXCHANGER									1			
4	G	R01 L00 401	LEV-4		1	1	1	1	1					LEV	
	G	R01 L01 401	LEV-8							1	1	1		LEV	
5	G	T7W R00 202	THERMISTOR-L/G		1	1	1	1	1	1	1	1		TH22/TH23	
6	G	T7W L01 220	FAN MOTOR-S		1	1	1	1	1	1				MF	
	G	T7W L02 220	FAN MOTOR-L								1	1		MF	
7	G	R01 E14 105	MOTOR MOUNT		3	3	3	3	3	3	3	3			
8	G	R01 E46 114	TURBO FAN /D8		1	1	1	1	1	1	1	1			
9	G	R01 12K 097	CAP NUT - M8 & WASHER	M8	1	1	1	1	1	1	1	1			
10	G	T7W E39 529	DRAIN PAN ASSY		1	1	1	1	1	1	1	1			
11	G	R01 A00 524	DRAIN PLUG		1	1	1	1	1	1	1	1			
12	G	R01 E09 523	DRAIN HOSE & SOCKET		1	1	1	1	1	1	1	1			
13	G	R01 E15 272	FLOAT SENSOR ASSY		1	1	1	1	1	1	1	1		FS	
14	G	R01 E19 355	DRAIN PUMP ASSY		1	1	1	1	1	1	1	1		DP	
15	G	T7W E07 523	DRAIN SOCKET(ACC.)		1	1	1	1	1	1	1	1			

2**OPTIONAL PARTS****2-1. MULTI FUNCTION CASEMENT**

Parts No.	PAC-SJ41TM-E
-----------	--------------

2-2. AIR OUTLET SHUTTER PLATE

Parts No.	PAC-SJ37SP-E
-----------	--------------

2-3. HIGH EFFICIENCY FILTER (PAC-SH53TM-E is required in using this optional part.)

Parts No.	PAC-SH59KF-E
-----------	--------------

2-4. FLANGE FOR FRESH AIR INTAKE

Parts No.	PAC-SH65OF-E
-----------	--------------

2-5. WIRED REMOTE CONTROLLER (MA REMOTE CONTROLLER)

Parts No.	PAR-33MAA
-----------	-----------

2-6. WIRED REMOTE CONTROLLER (SIMPLE MA REMOTE CONTROLLER)

Parts No.	PAC-YT53CRAU
-----------	--------------

2-7. WIRED REMOTE CONTROLLER (ME REMOTE CONTROLLER)

Parts No.	PAR-U01MEDU
-----------	-------------

2-8. GRILLE

Parts No.	PLP-40EAU
-----------	-----------

2-9. WIRELESS REMOTE CONTROLLER

Parts No.	PAR-FL32MA
-----------	------------

2-10. WIRELESS SIGNAL RECEIVER (CORNER PANEL)

Parts No.	PAR-SR3LA-E
-----------	-------------

MITSUBISHI ELECTRIC CORPORATION

HEAD OFFICE : TOKYO BUILDING, 2-7-3, MARUNOUCHI, CHIYODA-KU, TOKYO 100-8310, JAPAN