

SPLIT-TYPE, HEAT PUMP AIR CONDITIONERS
SPLIT-TYPE, AIR CONDITIONERS

March 2013

No. OCB482
REVISED EDITION-A

PARTS CATALOG

Series PLA Ceiling Cassettes

R410A

Indoor unit

[Model names]

[Service Ref.]

PLA-A12BA4

PLA-A12BA4

PLA-A18BA4

PLA-A18BA4

PLA-A24BA4

PLA-A24BA4

PLA-A30BA4

PLA-A30BA4

PLA-A36BA4

PLA-A36BA4

PLA-A42BA4

PLA-A42BA4

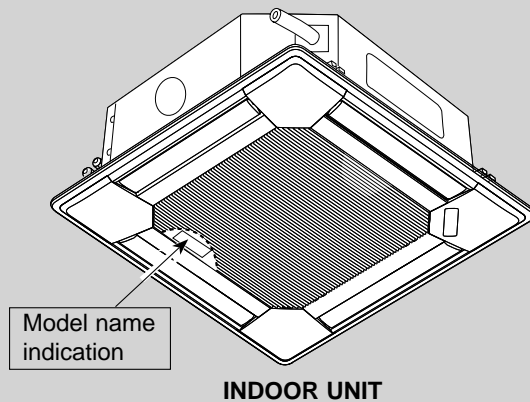
Revision:

- Part No. of VANE ASSY has been modified in REVISED EDITION-A.
- Some descriptions have been modified.

- Please void OCB482.

Note:

- RoHS compliant products have <G> mark on the spec name plate.

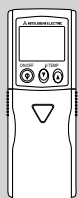


CONTENTS

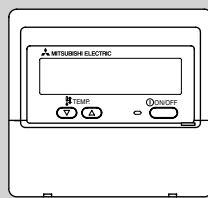
1. RoHS PARTS LIST 2

SERVICE MANUAL (OCH482)

Panel model: **PLP-40BAU**



**WIRELESS REMOTE
CONTROLLER**
(Option)

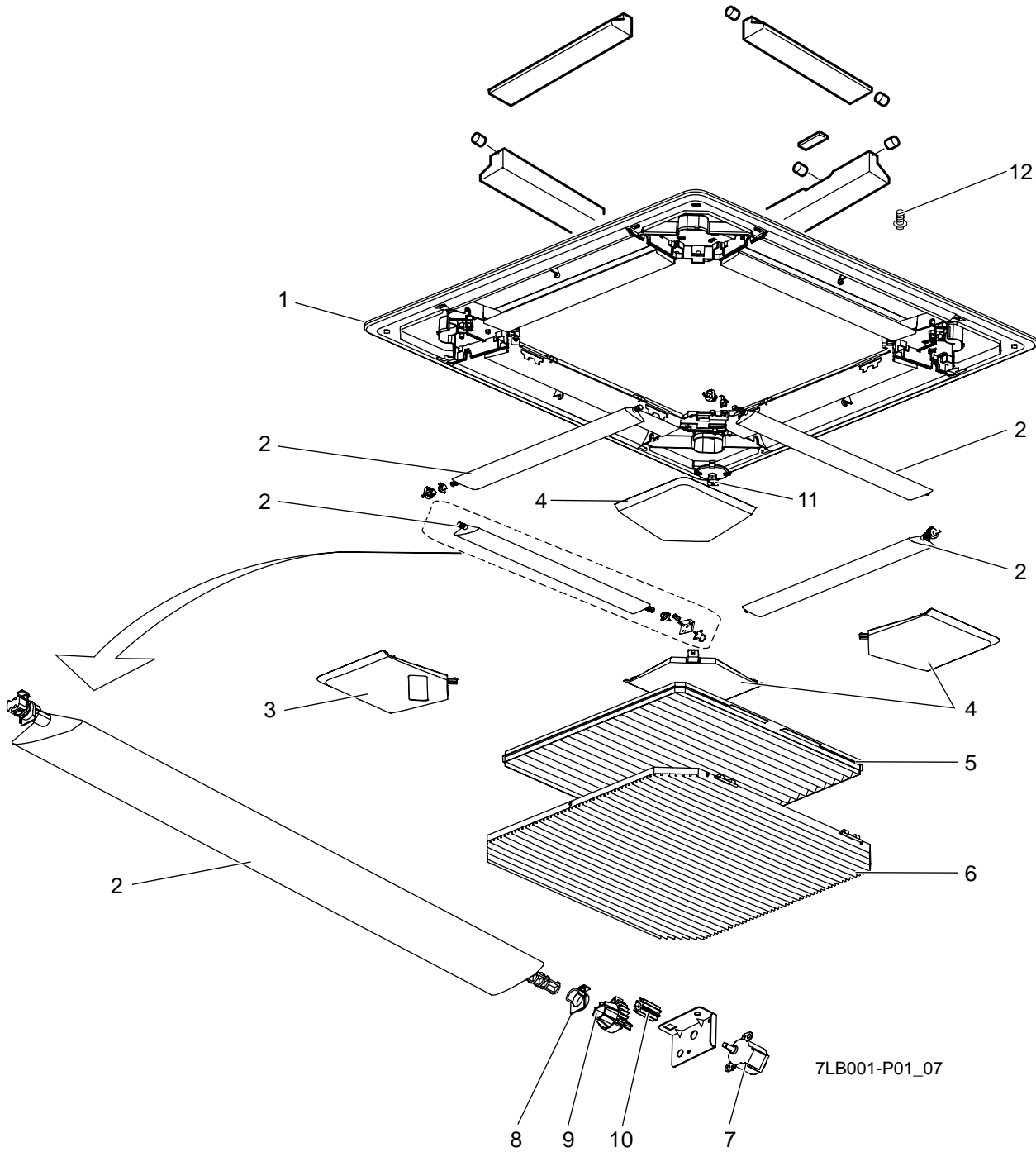


**WIRED REMOTE
CONTROLLER**
(Option)



Mr. SLIM™

PANEL PARTS for PLA-A12/18/24/30/36/42BA4
PLP-40BAU (Wired)



7LB001-P01_07

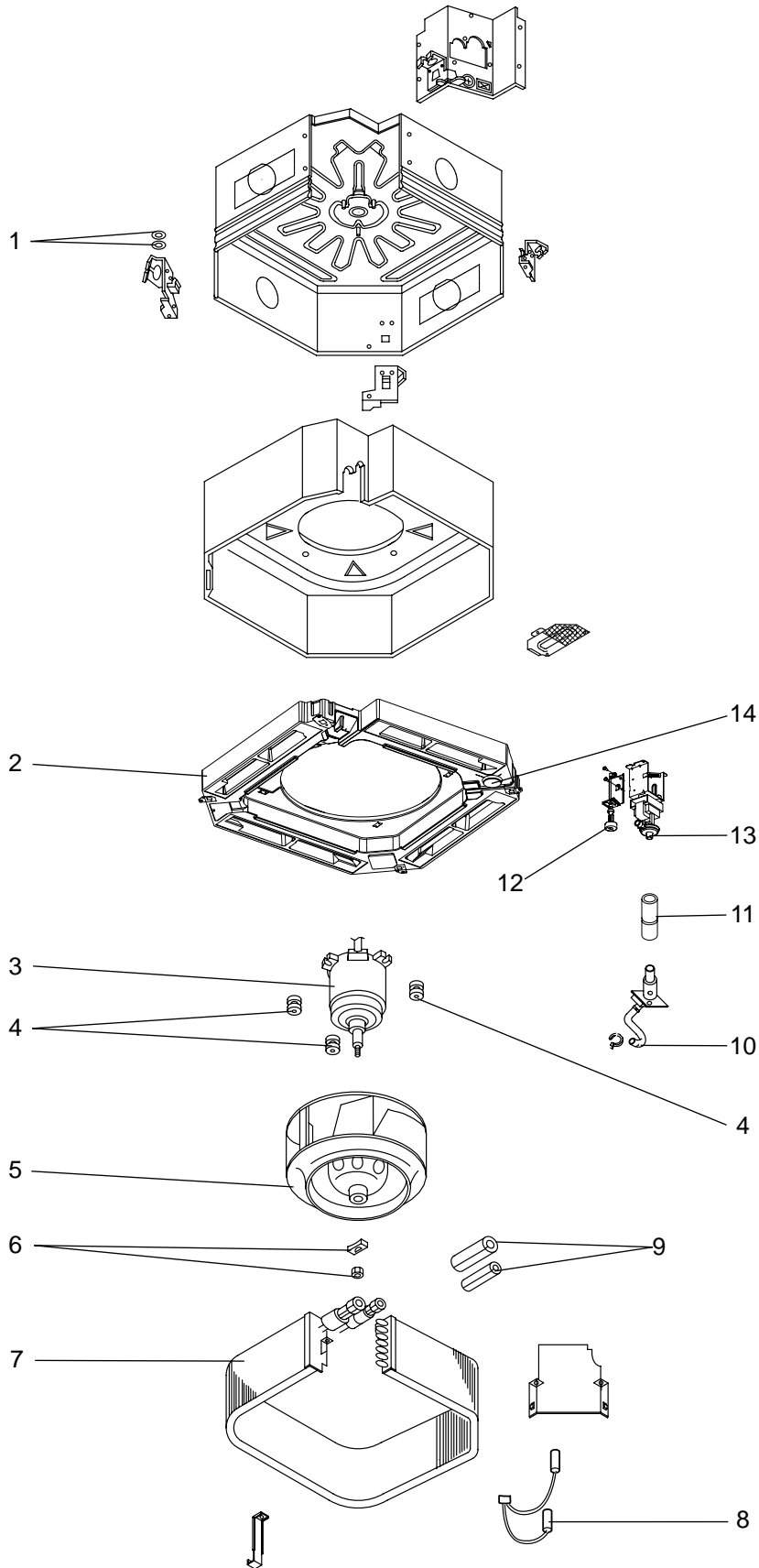
RoHS PARTS LIST

No.	RoHS	Part No.	Part Name	Specification	Q'ty/unit	Remarks (Drawing No.)	Wiring Diagram Symbol	Recom- mended Q'ty
					PLP-40BAU			
1	G	T7W E21 003	AIR OUTLET GRILLE		1			
2	G	T7W E13 002	VANE ASSY		4			
3	G	T7W E03 638	CORNER PANEL		1			
4	G	R01 E21 638	CORNER PANEL		3			
5	G	R01 E16 500	L. L. FILTER		1			
6	G	R01 E35 691	GRILLE ASSY		1			
7	G	R01 E19 223	VANE MOTOR		4		MV	
8	G	R01 E02 063	VANE BUSH		4			
9	G	R01 E03 040	GEAR(VANE)		4			
10	G	R01 E04 040	GEAR(S/M)		4			
11	G	R01 E03 523	SOCKET		1			
12	G	R01 E02 673	SCREW ASSY		1	4pcs/set, Accessory		

RoHS PARTS LIST

STRUCTURAL AND FUNCTIONAL PARTS

PLA-A12BA4
PLA-A18BA4
PLA-A24BA4
PLA-A30BA4
PLA-A36BA4
PLA-A42BA4



RoHS PARTS LIST

No.	RoHS	Part No.	Part Name	Specification	Q'ty/unit			Remarks (Drawing No.)	Wiring Diagram Symbol	Recom- mended Q'ty
					PLA-A-BA4					
					12, 18	24, 30	36, 42			
1	G	R01 E13 097	WASHERS SET		1	1	1			
2	G	T7W E33 529	DRAIN PAN		1	1	1			
3	G	R01 E59 220	FAN MOTOR		1	1			MF	
	G	R01 E44 220	FAN MOTOR				1		MF	
4	G	R01 E14 105	MOTOR MOUNT		3	3	3			
5	G	R01 E39 114	TURBO FAN		1	1				
	G	R01 E34 114	TURBO FAN				1			
6	G	R01 10K 097	SPL WASHER / NUT	M6	1	1				
	G	R01 11K 097	SPL WASHER / NUT	M8			1			
7	G	T7W H86 480	HEAT EXCHANGER		1					
	G	T7W H88 480	HEAT EXCHANGER			1				
	G	R01 AE3 480	HEAT EXCHANGER				1			
8	G	T7W E50 202	THERMISTOR		1	1	1		TH2/TH5	
9	G	R01 E02 660	PIPE COVERS SET		1	1	1			
10	G	R01 E05 523	DRAIN SOCKET		1	1	1			
11	G	R01 E07 523	JOINT SOCKET		1	1	1			
12	G	R01 E04 272	FLOAT SENSOR		1	1	1		FS	
13	G	T7W E14 355	DRAIN PUMP		1	1	1		DP	
14	G	R01 E02 524	DRAIN PLUG		1	1	1			

RoHS PARTS LIST

ELECTRICAL PARTS

PLA-A12BA4

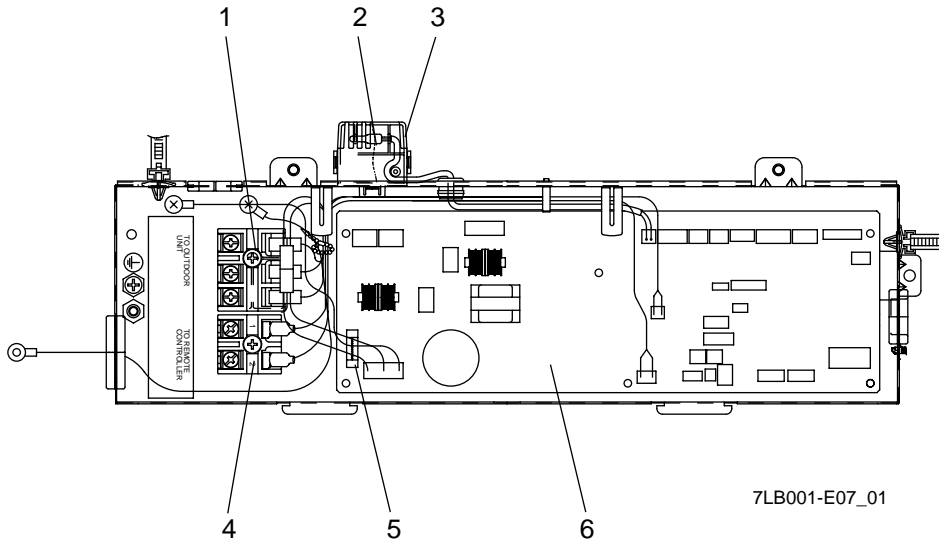
PLA-A18BA4

PLA-A24BA4

PLA-A30BA4

PLA-A36BA4

PLA-A42BA4



7LB001-E07_01

No.	RoHS	Part No.	Part Name	Specification	Q'ty/unit	Remarks (Drawing No.)	Wiring Diagram Symbol	Recom- mended Q'ty
					PLA-A-BA4			
					12/18/24/30/36/42			
1	G	R01 E18 246	TERMINAL BLOCK	3P (S1,S2,S3)	1		TB4	
2	G	R01 H18 202	ROOM TEMP. THERMISTOR		1		TH1	
3	G	R01 E01 520	SENSOR COVER		1			
4	G	R01 E48 246	TERMINAL BLOCK	2P (1,2)	1		TB5	
5	G	R01 E14 239	FUSE	6.3A, 250V	1		FUSE	
6	G	T7W E96 310	INDOOR CONTROLLER BOARD		1		I.B	

MITSUBISHI ELECTRIC CORPORATION

HEAD OFFICE : TOKYO BLDG., 2-7-3, MARUNOUCHI, CHIYODA-KU, TOKYO 100-8310, JAPAN