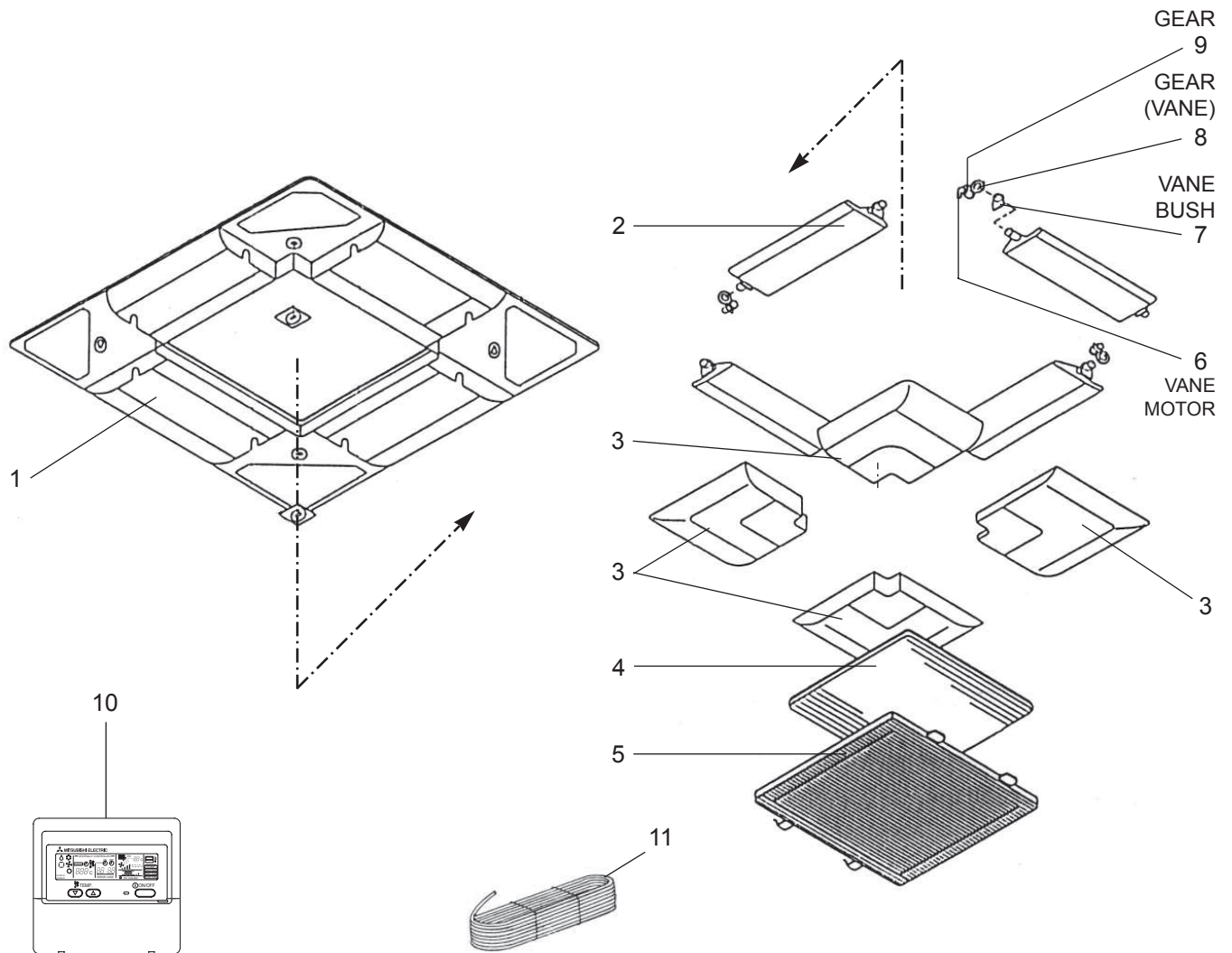


12

PARTS LIST (non-RoHS compliant)

PANEL PARTS

PLA-A12AA PLA-A18AA PLA-A24AA
 PLA-A30AA PLA-A36AA PLA-A42AA

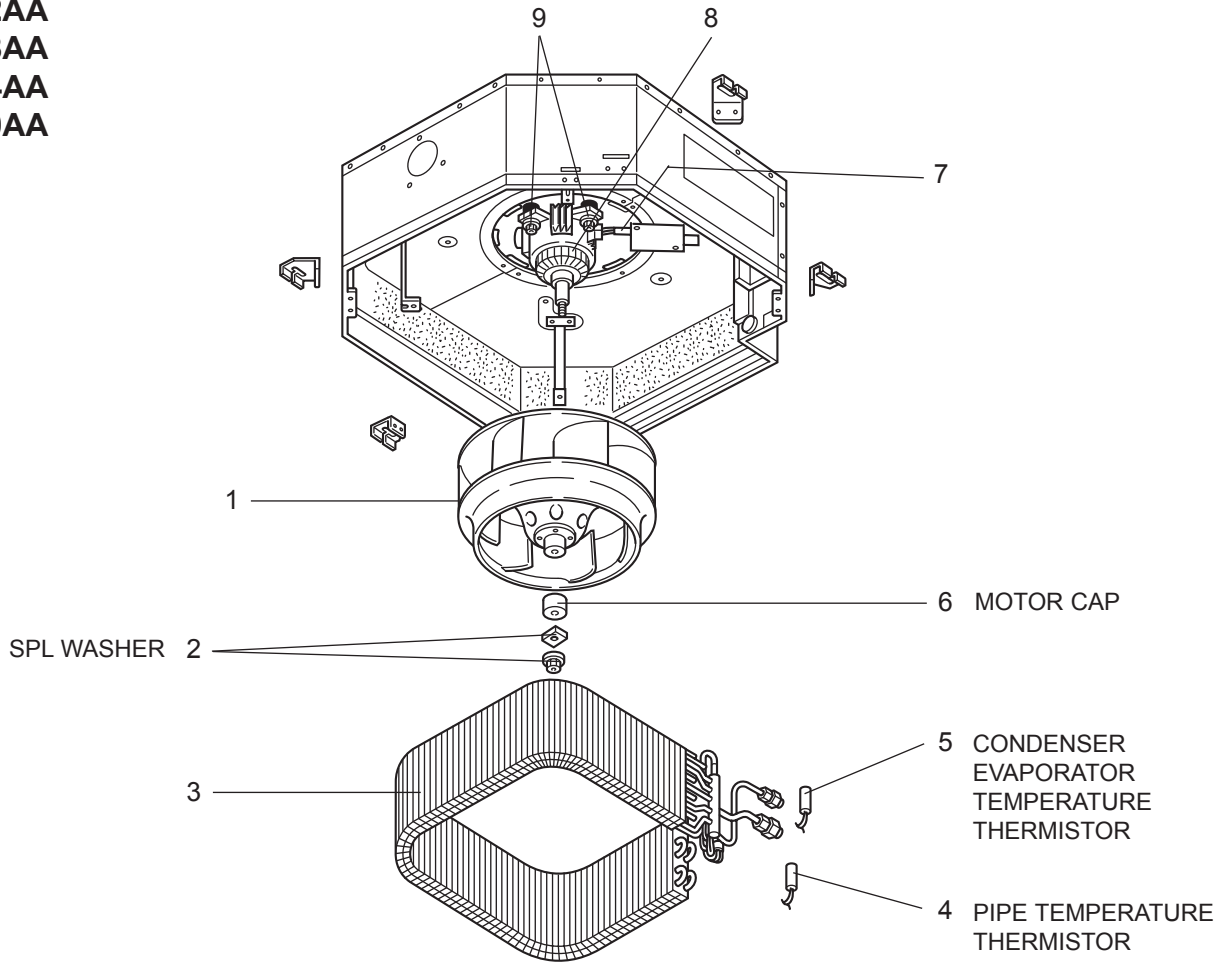


Part number that is circled is not shown in the figure.

No.	Parts No.	Parts Name	Specification	Q'ty / set	Remarks (Drawing No.)	Wiring Diagram Symbol	Recom- mended Q'ty
				PLA-A12/18/24 /30/36/42AA			
1	T7W E13 003	AIR OUTLET GRILLE		1	Including H2		
2	T7W E05 002	VANE		4			
3	R01 E03 638	CORNER PANEL		4			
4	R01 E00 500	L.L. FILTER		1			
5	R01 E00 691	GRILLE ASSY		1			
6	R01 E00 223	VANE MOTOR		4		MV	
7	R01 E00 063	VANE BUSH		8			
8	R01 E00 040	GEAR (VANE)		4			
9	R01 E01 040	GEAR		4			
10	T7W E10 713	REMOTE CONTROLLER		1		R.B	
11	T7W E01 305	CABLE ASSY		1			
⑫	R01 E00 673	SCREW ASSY		1			

FUNCTIONAL AND STRUCTURAL PARTS

PLA-A12AA
 PLA-A18AA
 PLA-A24AA
 PLA-A30AA

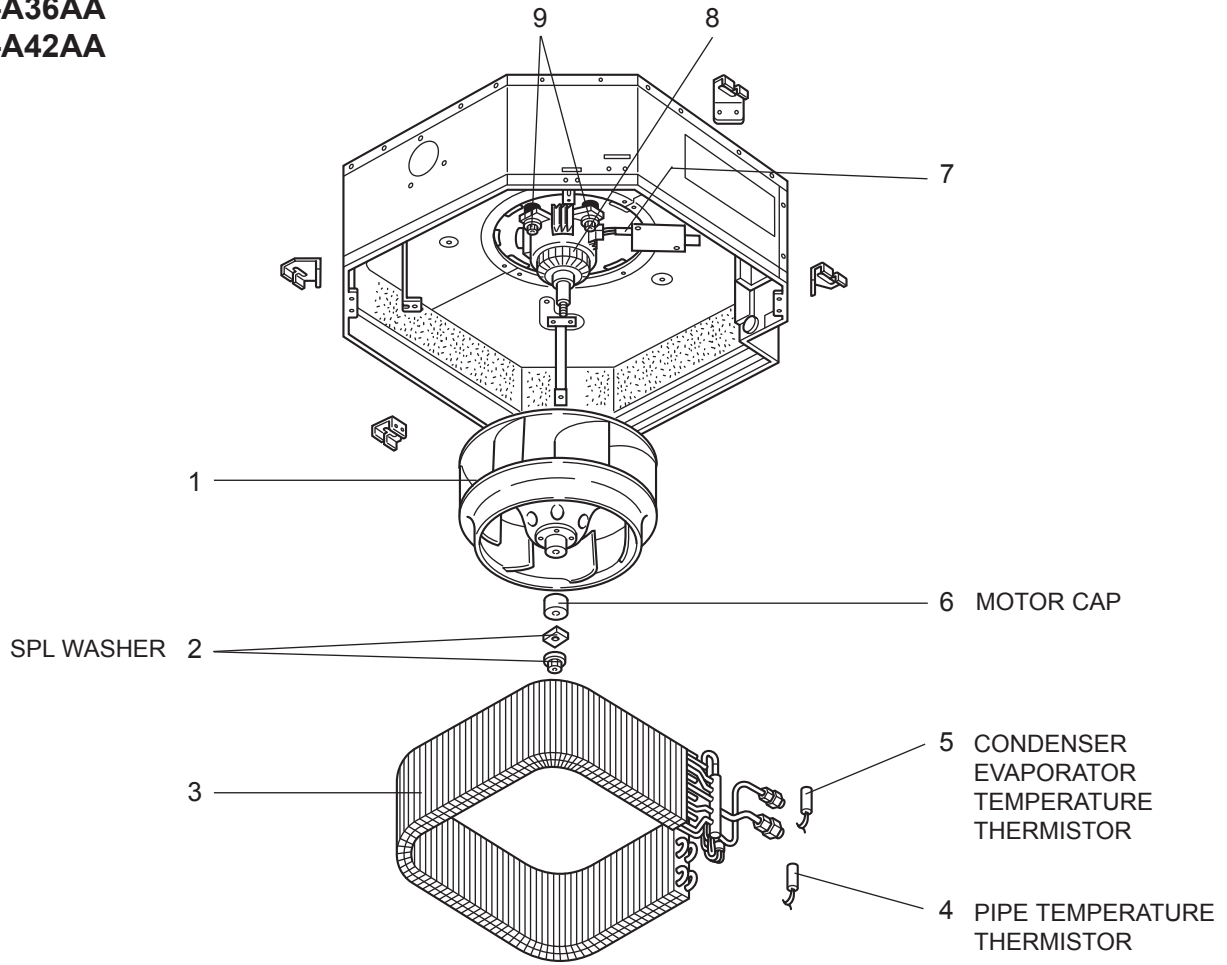


No.	Parts No.	Parts Name	Specification	Q'ty / set			Remarks (Drawing No.)	Wiring Diagram Symbol	Recom- mended Q'ty
				PLA-A·AA					
				12	18	24, 30			
1	R01 E28 114	TURBO FAN		1	1	1			
2	R01 08K 097	SPL WASHER		1	1	1			
3	T7W H20 480	HEAT EXCHANGER		1					
	T7W H34 480	HEAT EXCHANGER			1				
	T7W H21 480	HEAT EXCHANGER				1			
4	T7W E06 202	PIPE TEMPERATURE THERMISTOR		1	1	1		TH2	
5	R01 E32 202	CONDENSER / EVAPORATOR TEMPERATURE THERMISTOR		1	1	1		TH5	
6	R01 E00 122	MOTOR CAP		1	1	1			
7	T7W E01 304	LEAD ASSY(F/M)		1	1	1			
8	T7W E12 762	FAN MOTOR	D17D6P70MS	1	1	1		MF	
9	R01 A41 105	RUBBER MOUNT		4	4	4			

FUNCTIONAL AND STRUCTURAL PARTS

PLA-A36AA

PLA-A42AA



No.	Parts No.	Parts Name	Specification	Q'ty / set	Remarks (Drawing No.)	Wiring Diagram Symbol	Recom- mended Q'ty
				PLA-A-AA			
				36, 42			
1	T7W E02 114	TURBO FAN		1			
2	R01 08K 097	SPL WASHER		1			
3	T7W H22 480	HEAT EXCHANGER		1			
4	T7W E06 202	PIPE TEMPERATURE THERMISTOR		1		TH2	
5	R01 E32 202	CONDENSER / EVAPORATOR TEMPERATURE THERMISTOR		1		TH5	
6	R01 E00 122	MOTOR CAP		1			
7	T7W E01 304	LEAD ASSY(F/M)		1			
8	T7W E08 762	FAN MOTOR	D17CP110MS	1		MF	
9	R01 A41 105	RUBBER MOUNT		4			

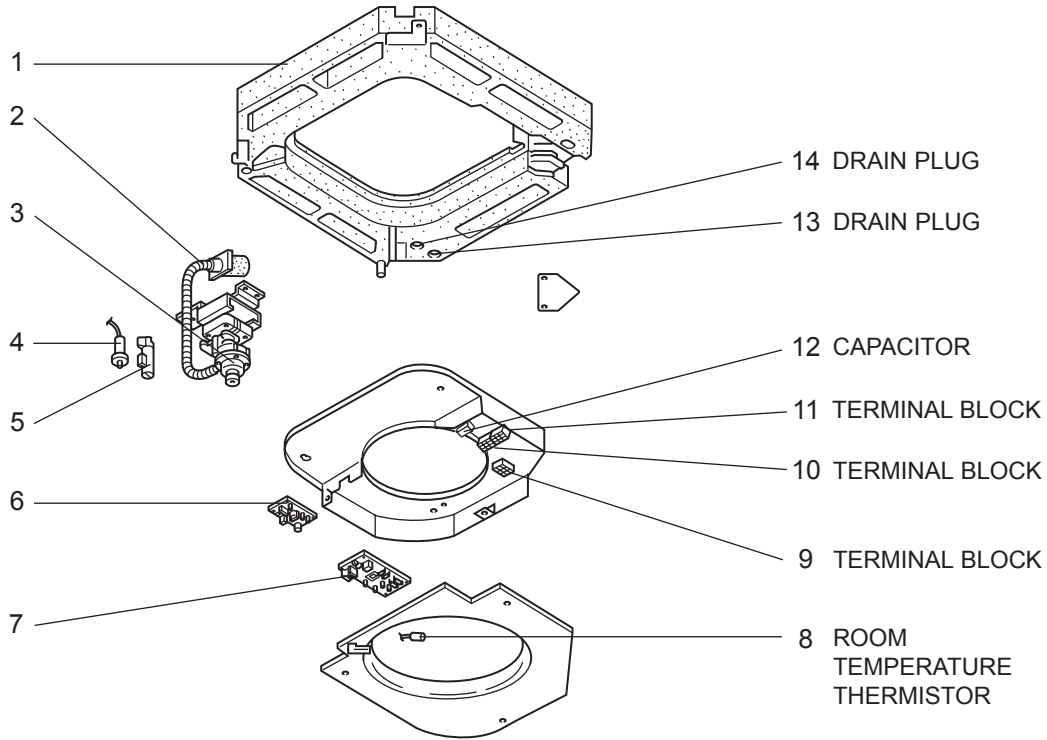
FUNCTIONAL AND STRUCTURAL PARTS

PLA-A12AA

PLA-A18AA

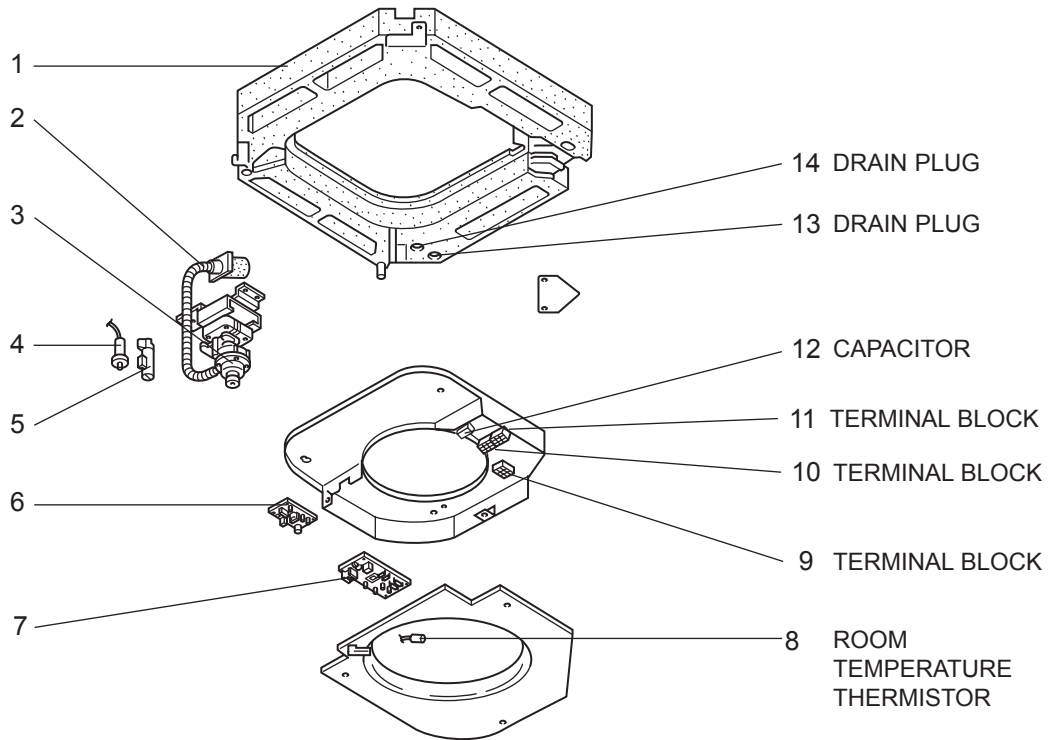
PLA-A24AA

PLA-A30AA



No.	Parts No.	Parts Name	Specification	Q'ty / set		Remarks (Drawing No.)	Wiring Diagram Symbol	Recom- mended Q'ty
				PLA-A-AA	12, 18, 24, 30			
1	T7W E09 529	DRAIN PAN			1			
2	T7W E00 527	DRAIN HOSE			1			
3	T7W E12 355	DRAIN PUMP			1		DP	
4	R01 E00 266	DRAIN SENSOR			1		DS	
5	R01 31K 241	SENSOR HOLDER			1			
6	T7W E24 313	INDOOR POWER BOARD			1		P.B	
7	T7W E46 310	INDOOR CONTROLLER BOARD			1		I.B	
8	R01 E00 202	ROOM TEMPERATURE THERMISTOR			1		TH1	
9	R01 556 246	TERMINAL BLOCK	2P (1, 2)		1		TB5	
10	R01 E13 246	TERMINAL BLOCK	3P (S1, S2, S3)		1		TB4	
11	T7W E11 716	TERMINAL BLOCK	3P (L1, L2, GR)		1		TB2	
12	T7W E10 255	CAPACITOR	3.0 μ F 440V		1		C	
13	R01 A41 524	DRAIN PLUG			1			
14	R01 A48 524	DRAIN PLUG			1			

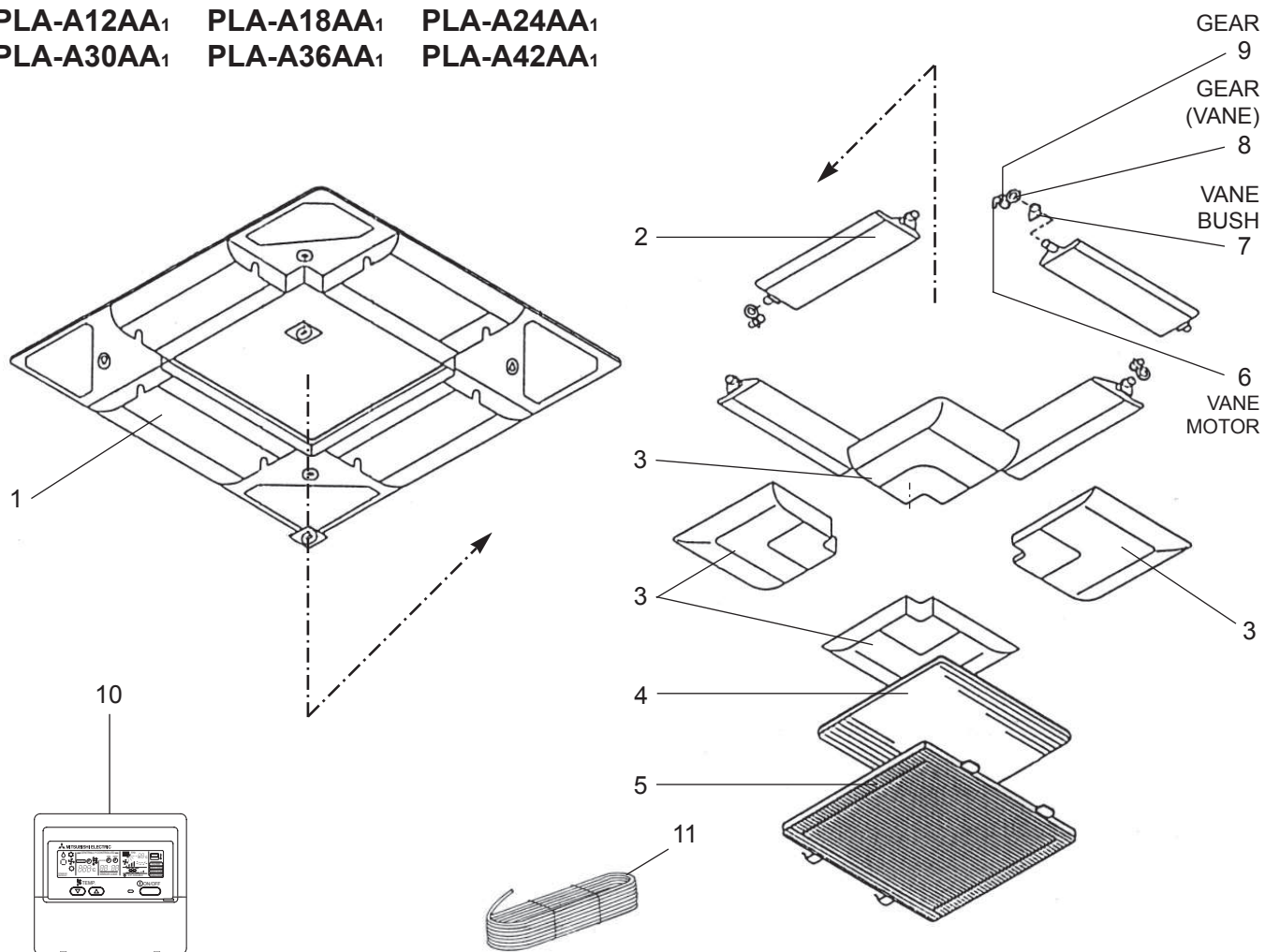
FUNCTIONAL AND STRUCTURAL PARTS
PLA-A36AA
PLA-A42AA



No.	Parts No.	Parts Name	Specification	Q'ty / set	Remarks (Drawing No.)	Wiring Diagram Symbol	Recom- mended Q'ty
				PLA-A-AA			
				36, 42			
1	T7W E07 529	DRAIN PAN		1			
2	T7W E00 527	DRAIN HOSE		1			
3	T7W E12 355	DRAIN PUMP		1		DP	
4	R01 E00 266	DRAIN SENSOR		1		DS	
5	R01 31K 241	SENSOR HOLDER		1			
6	T7W E24 313	INDOOR POWER BOARD		1		P.B	
7	T7W E46 310	INDOOR CONTROLLER BOARD		1		I.B	
8	R01 E00 202	ROOM TEMPERATURE THERMISTOR		1		TH1	
9	R01 556 246	TERMINAL BLOCK	2P (1, 2)	1		TB5	
10	R01 E13 246	TERMINAL BLOCK	3P (S1,S2, S3)	1		TB4	
11	T7W E11 716	TERMINAL BLOCK	3P (L1,L2, GR)	1		TB2	
12	R01 E03 255	CAPACITOR	7.0 μ F 440V	1		C	
13	R01 A41 524	DRAIN PLUG		1			
14	R01 A48 524	DRAIN PLUG		1			

PANEL PARTS

PLA-A12AA₁ PLA-A18AA₁ PLA-A24AA₁
 PLA-A30AA₁ PLA-A36AA₁ PLA-A42AA₁

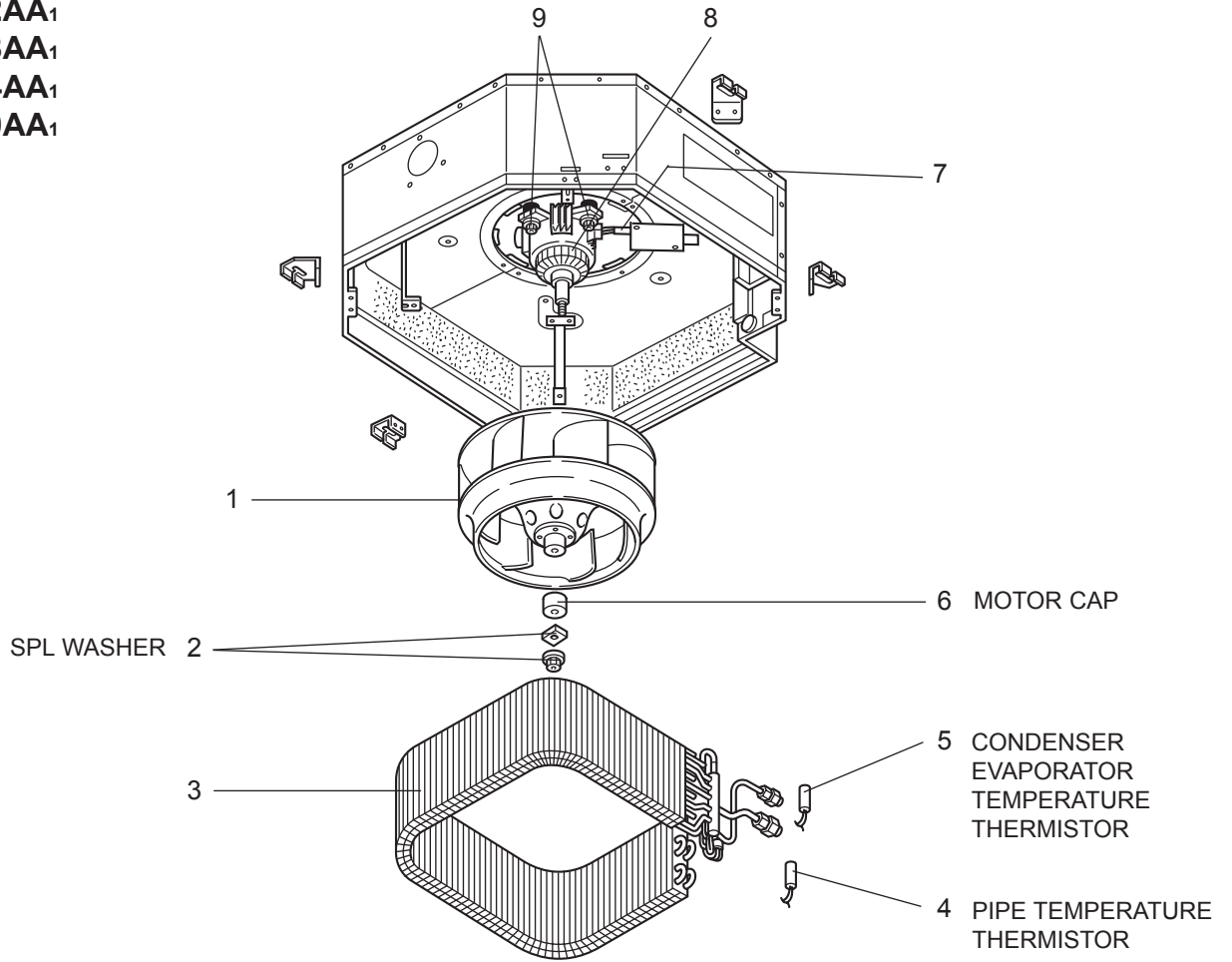


Part number that is circled is not shown in the figure.

No.	RoHS	Parts No.	Parts Name	Specification	Q'ty / set	Remarks (Drawing No.)	Wiring Diagram Symbol	Recom- mended Q'ty
					PLA-A12/18/24 /30/36/42AA ₁			
1	G	T7W E19 003	AIR OUTLET GRILLE		1	Including H2		
2	G	T7W E09 002	VANE		4			
3	G	R01 E14 638	CORNER PANEL		4			
4	G	R01 E13 500	L.L FILTER		1			
5	G	R01 E44 691	GRILLE ASSY		1			
6	G	R01 E17 223	VANE MOTOR		4		MV	
7	G	R01 E02 063	VANE BUSH		8			
8	G	R01 E03 040	GEAR (VANE)		4			
9	G	R01 E04 040	GEAR		4			
10	G	T7W E14 713	REMOTE CONTROLLER		1		R.B	
11	G	T7W E04 305	CABLE ASSY		1			
12	G	R01 E02 673	SCREW ASSY		1			

FUNCTIONAL AND STRUCTURAL PARTS

PLA-A12AA₁
 PLA-A18AA₁
 PLA-A24AA₁
 PLA-A30AA₁

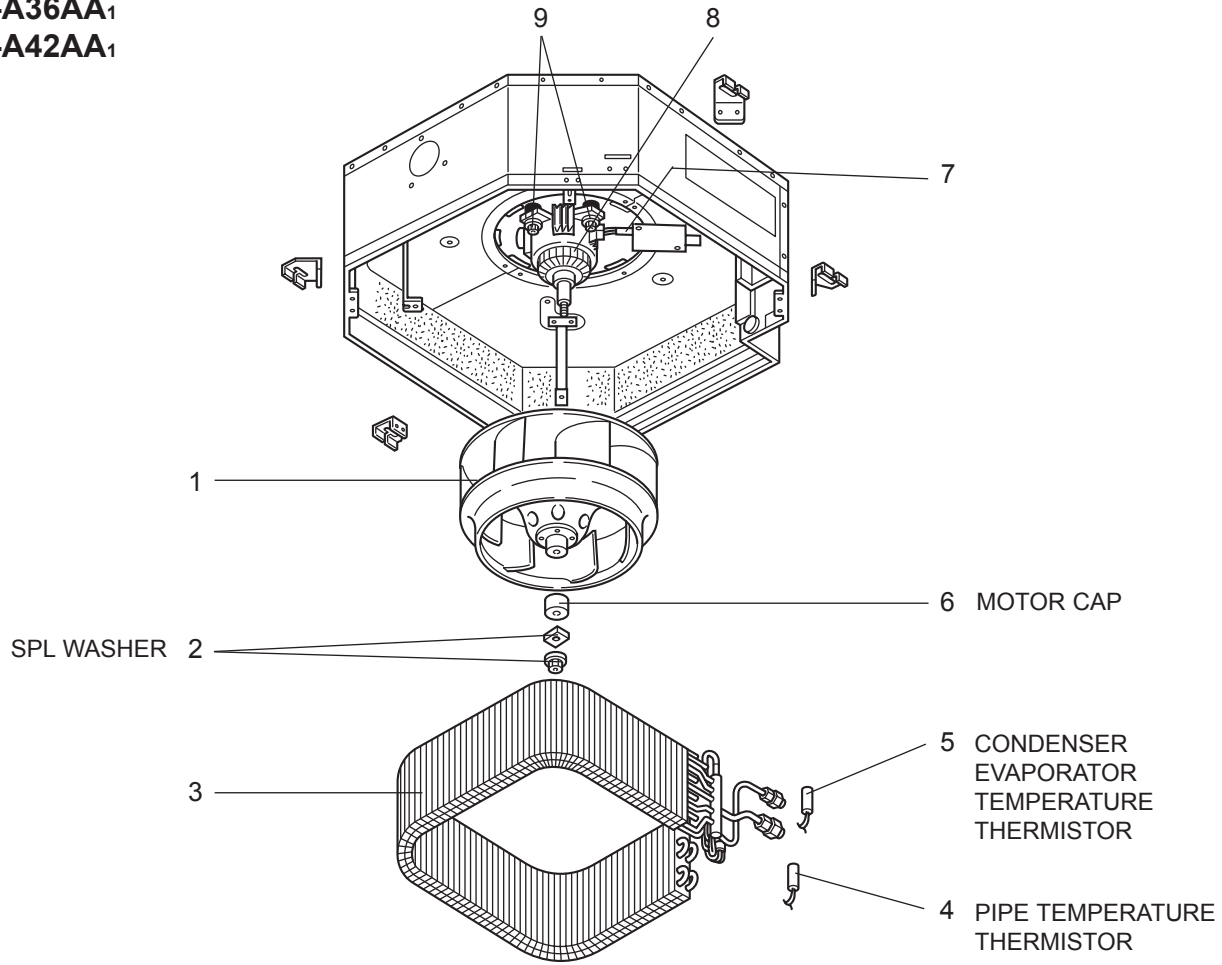


No.	ROHS	Parts No.	Parts Name	Specification	Q'ty / set			Remarks (Drawing No.)	Wiring Diagram Symbol	Recom- mended Q'ty
					PLA-A-AA ₁					
					12	18	24, 30			
1	G	R01 E28 114	TURBO FAN		1	1	1			
2	G	R01 09K 097	SPL WASHER		1	1	1			
3	G	T7W H20 480	HEAT EXCHANGER		1					
	G	T7W H34 480	HEAT EXCHANGER			1				
	G	T7W H21 480	HEAT EXCHANGER				1			
4	G	R01 H05 202	PIPE TEMPERATURE THERMISTOR		1	1	1		TH2	
5	G	R01 H15 202	CONDENSER / EVAPORATOR TEMPERATURE THERMISTOR		1	1	1		TH5	
6	G	R01 E03 122	MOTOR CAP		1	1	1			
7	G	T7W E05 304	LEAD ASSY (F/M)		1	1	1			
8	G	T7W E27 762	FAN MOTOR	D17D6P70MS	1	1	1		MF	
9	G	R01 A51 105	RUBBER MOUNT		4	4	4			

FUNCTIONAL AND STRUCTURAL PARTS

PLA-A36AA₁

PLA-A42AA₁



No.	RoHS	Parts No.	Parts Name	Specification	Q'ty / set		Remarks (Drawing No.)	Wiring Diagram Symbol	Recom- mended Q'ty
					PLA-A-AA ₁	36, 42			
1	G	R01 E29 114	TURBO FAN			1			
2	G	R01 09K 097	SPL WASHER			1			
3	G	T7W H22 480	HEAT EXCHANGER			1			
4	G	R01 H05 202	PIPE TEMPERATURE THERMISTOR			1		TH2	
5	G	R01 H15 202	CONDENSER / EVAPORATOR TEMPERATURE THERMISTOR			1		TH5	
6	G	R01 E03 122	MOTOR CAP			1			
7	G	T7W E05 304	LEAD ASSY(F/M)			1			
8	G	T7W E28 762	FAN MOTOR	D17CP110MS		1		MF	
9	G	R01 A51 105	RUBBER MOUNT			4			

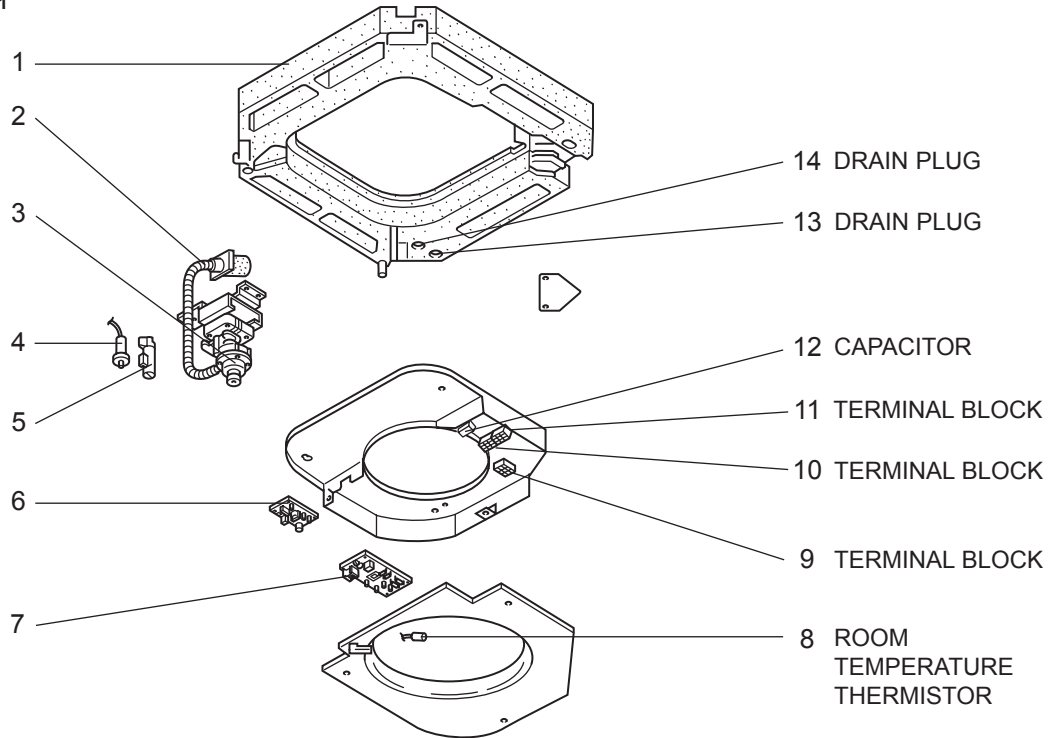
FUNCTIONAL AND STRUCTURAL PARTS

PLA-A12AA₁

PLA-A18AA₁

PLA-A24AA₁

PLA-A30AA₁

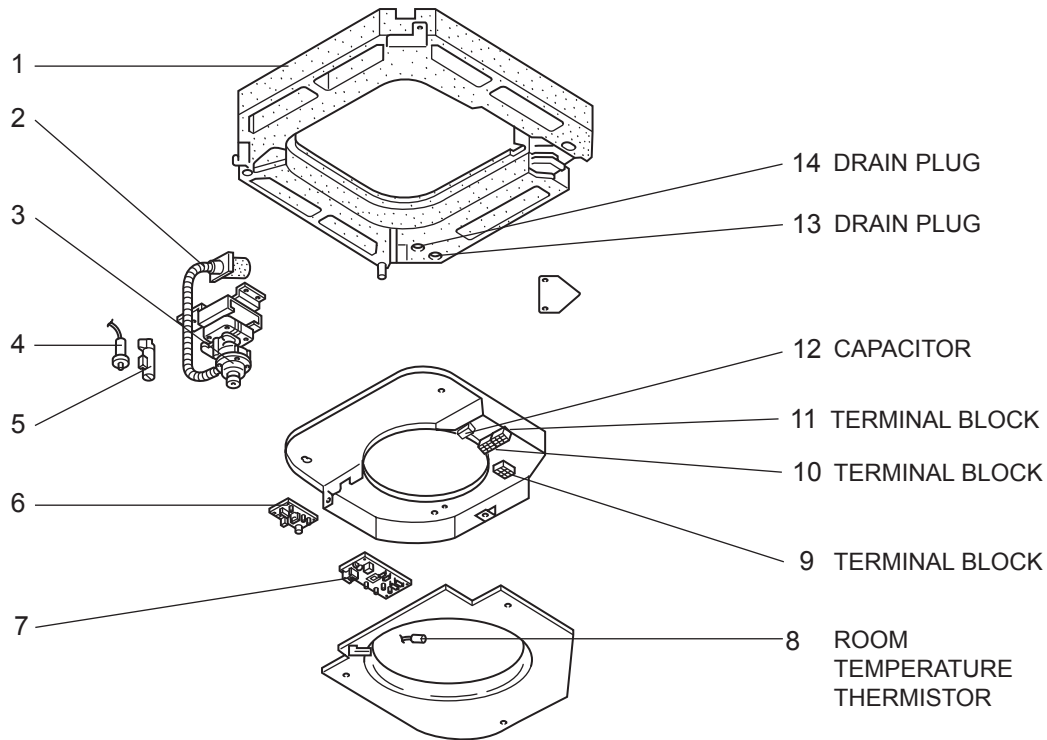


No.	RoHS	Parts No.		Parts Name	Specification	Q'ty / set	Remarks (Drawing No.)	Wiring Diagram Symbol	Recom- mended Q'ty
						PLA-A-AA ₁			
						12, 18, 24, 30			
1	G	T7W	E26 529	DRAIN PAN		1			
2	G	T7W	E02 527	DRAIN HOSE		1			
3	G	T7W	E12 355	DRAIN PUMP		1		DP	
4	G	R01	E10 266	DRAIN SENSOR		1		DS	
5	G	R01	32K 241	SENSOR HOLDER		1			
6	G	T7W	E35 313	INDOOR POWER BOARD		1		P.B	
7	G	T7W	E56 310	INDOOR CONTROLLER BOARD		1		I.B	
8	G	R01	H12 202	ROOM TEMPERATURE THERMISTOR		1		TH1	
9	G	R01	E21 246	TERMINAL BLOCK	2P (1, 2)	1		TB5	
10	G	R01	E18 246	TERMINAL BLOCK	3P (S1, S2, S3)	1		TB4	
11	G	T7W	E41 716	TERMINAL BLOCK	3P (L1, L2, GR)	1		TB2	
12	G	T7W	E15 255	CAPACITOR	3.0 μ F 440V	1		C	
13	G	R01	A00 524	DRAIN PLUG		1			
14	G	R01	A01 524	DRAIN PLUG		1			

FUNCTIONAL AND STRUCTURAL PARTS

PLA-A36AA₁

PLA-A42AA₁



No.	RoHS	Parts No.	Parts Name	Specification	Q'ty / set		Remarks (Drawing No.)	Wiring Diagram Symbol	Recom- mended Q'ty
					PLA-A-AA ₁	36, 42			
1	G	T7W E28 529	DRAIN PAN		1				
2	G	T7W E02 527	DRAIN HOSE		1				
3	G	T7W E12 355	DRAIN PUMP		1			DP	
4	G	R01 E10 266	DRAIN SENSOR		1			DS	
5	G	R01 32K 241	SENSOR HOLDER		1				
6	G	T7W E35 313	INDOOR POWER BOARD		1			P.B	
7	G	T7W E56 310	INDOOR CONTROLLER BOARD		1			I.B	
8	G	R01 H12 202	ROOM TEMPERATURE THERMISTOR		1			TH1	
9	G	R01 E21 246	TERMINAL BLOCK	2P (1, 2)	1			TB5	
10	G	R01 E18 246	TERMINAL BLOCK	3P (S1,S2, S3)	1			TB4	
11	G	T7W E41 716	TERMINAL BLOCK	3P (L1,L2, GR)	1			TB2	
12	G	R01 E14 255	CAPACITOR	7.0 μ F 440V	1			C	
13	G	R01 A00 524	DRAIN PLUG		1				
14	G	R01 A01 524	DRAIN PLUG		1				



Mr. SLIM™

 **MITSUBISHI ELECTRIC CORPORATION**

HEAD OFFICE : TOKYO BLDG., 2-7-3, MARUNOUCHI, CHIYODA-KU, TOKYO 100-8310, JAPAN