

PARTS CATALOG

Series PKFY Wall Mounted R410A / R22

Indoor unit
[Model names]

[Service Ref.]

PKFY-P12NHMU-E

PKFY-P12NHMU-E

PKFY-P15NHMU-E

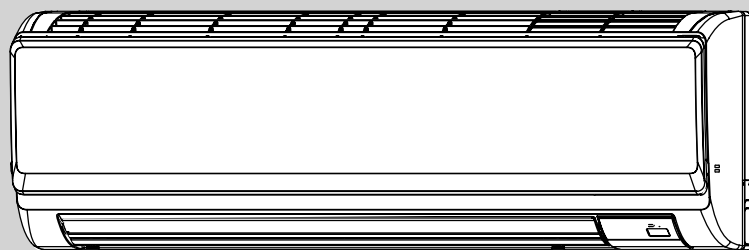
PKFY-P15NHMU-E

PKFY-P18NHMU-E

PKFY-P18NHMU-E

Note:

- RoHS compliant products have <G> mark on the spec name plate.



INDOOR UNIT

CONTENTS

1. RoHS PARTS LIST2
2. OPTIONAL PARTS6

SERVICE MANUAL (OCH460)



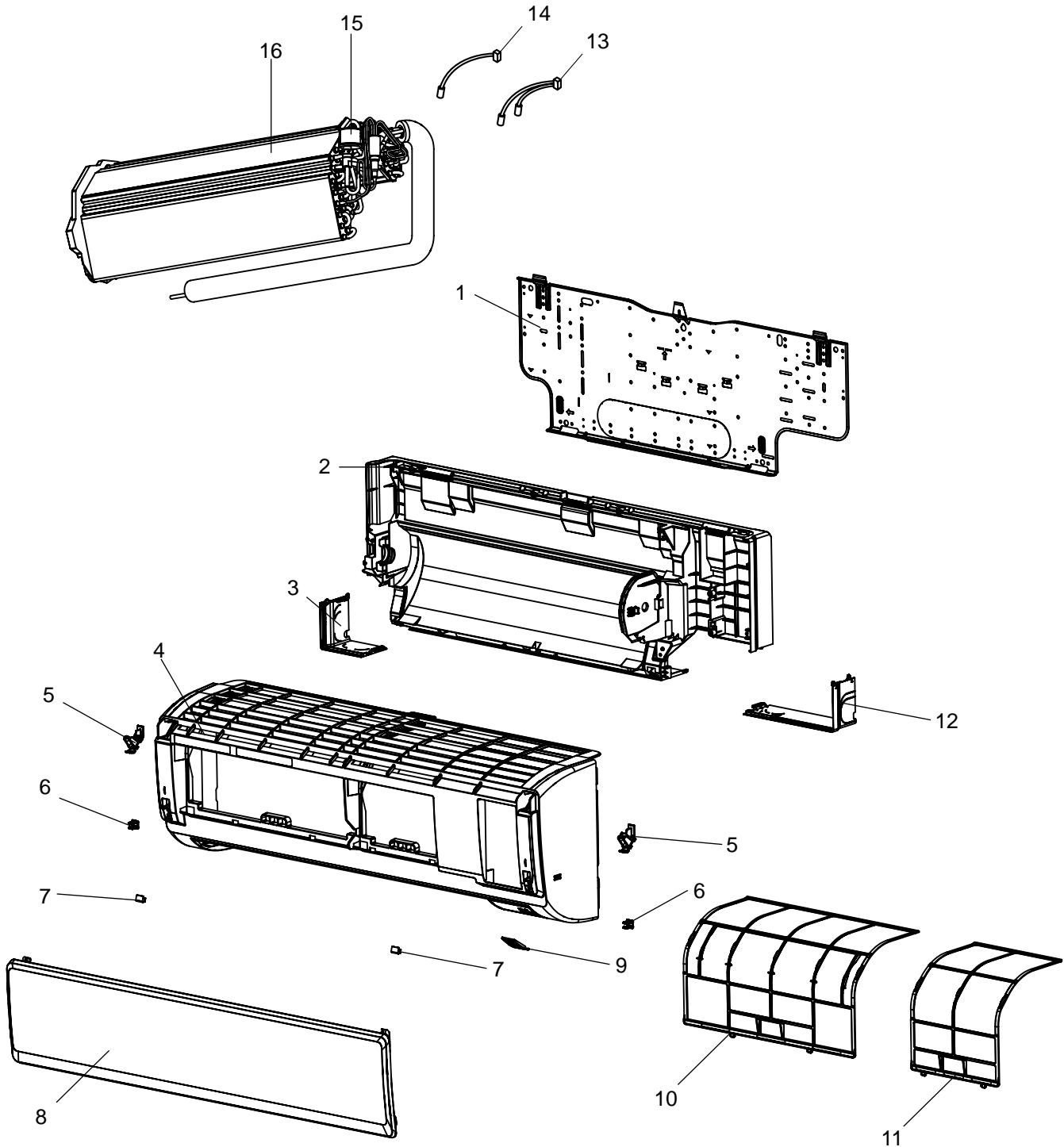
CITY MULTI

PANEL AND HEAT EXCHANGER PARTS

PKFY-P12NHMU-E

PKFY-P15NHMU-E

PKFY-P18NHMU-E





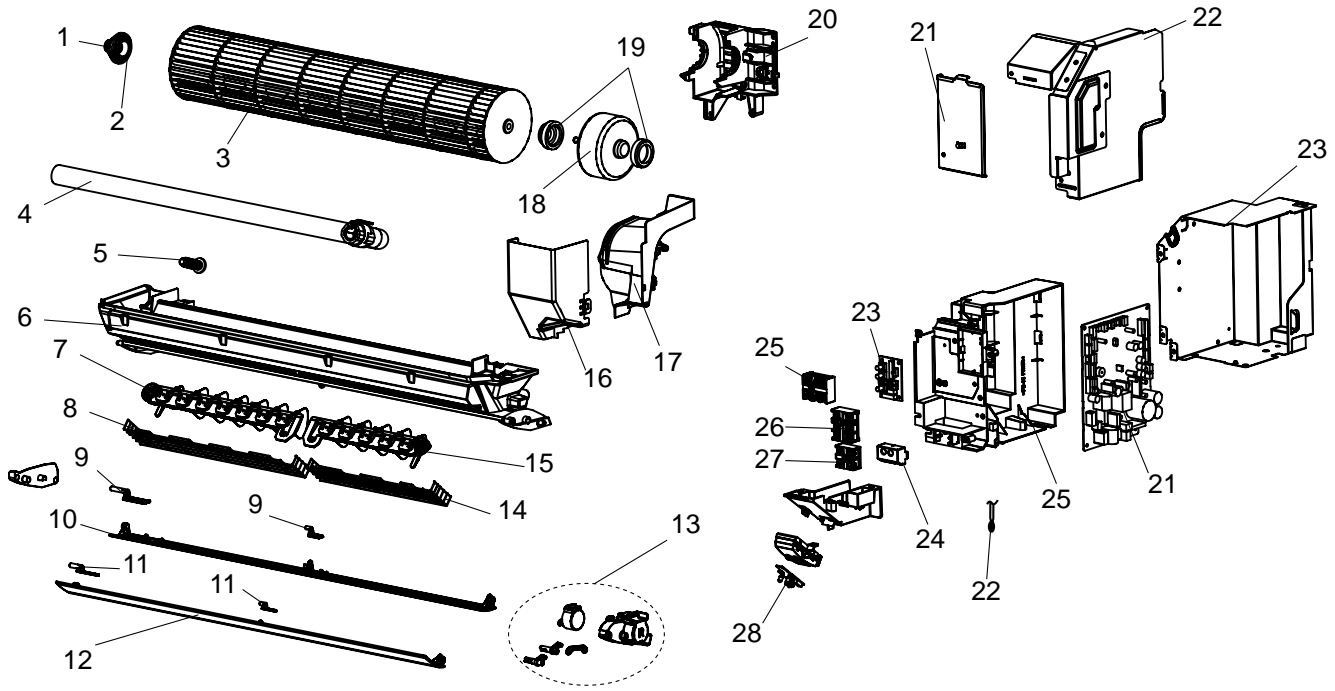
No.	RoHS	Part No.	Part Name	Specification	Q'ty/set		Remarks (Drawing No.)	Wiring Diagram Symbol	Recom- mended Q'ty
					PKFY-P-NHMU-E				
					12, 15	18			
1	G	R01 E08 808	BACK PLATE		1	1			
2	G	R01 E02 635	BOX ASSY		1	1			
3	G	R01 E30 658	CORNER BOX (L)		1	1			
4	G	R01 E15 651	FRONT PANEL		1	1			
5	G	R01 E14 054	HOLDER (R.L)		1	1	2pcs/set		
6	G	R01 E15 054	CATCH		1	1	2pcs/set		
7	G	R01 E05 096	SCREW CAP		1	1	2pcs/set		
8	G	R01 E58 691	GRILLE		1	1			
9	G	R01 E31 658	RECEIVER COVER		1	1			
10	G	R01 E27 500	FILTER		1	1			
11	G	R01 E28 500	FILTER		1	1			
12	G	R01 E29 658	CORNER BOX (R)		1	1			
13	G	R01 N17 202	THERMISTOR		1	1		TH22/23	
14	G	R01 H07 202	THERMISTOR		1	1		TH24	
15	G	R01 H28 401	EXPANSION VALVE		1	1		LEV	
16	G	T7W K37 480	HEAT EXCHANGER		1				
	G	T7W K38 480	HEAT EXCHANGER			1			

FAN AND ELECTRICAL PARTS

PKFY-P12NHMU-E

PKFY-P15NHMU-E

PKFY-P18NHMU-E



Part numbers that are circled are not shown in the illustration.

No.	RoHS	Part No.	Part Name	Specification	Q'ty/set	Remarks (Drawing No.)	Wiring Diagram Symbol	Recom- mended Q'ty
					PKFY-P-NHMU-E 12, 15, 18			
1	G	R01 E01 102	BEARING MOUNT		1			
2	G	R01 E04 103	SLEEVE BEARING		1			
3	G	R01 E42 114	LINEFLOW FAN		1			
4	G	R01 E09 527	DRAIN HOSE		1			
5	G	R01 E03 524	DRAIN CAP		1			
6	G	R01 E01 530	NOZZLE ASSY		1	with No.7, 15		
7	G	R01 E07 038	GUIDE VANE ASSY-L		1			
8	G	T7W E19 675	FAN GUARD-L		1			
9	G	R01 E06 063	VANE SHAFT-UC		1	2pcs/set		
10	G	R01 E32 002	AUTO VANE-U		1			
11	G	R01 E05 063	VANE SHAFT-TC		1	2pcs/set		
12	G	R01 E31 002	AUTO VANE-T		1			
13	G	R01 E27 223	VANE MOTOR		1			
14	G	T7W E18 675	FAN GUARD-R		1			
15	G	R01 E06 038	GUIDE VANE ASSY-R		1			
16	G	R01 E00 031	WATER COVER		1			
17	G	R01 E03 126	MOTOR BAND		1			
18	G	R01 E51 220	FAN MOTOR		1	with No.19	MF	
19	G	R01 E18 105	RUBBER MOUNT		1	2pcs/set		
20	G	R01 E44 130	MOTOR BED		1			
21	G	T7W E83 310	CONTROLLER BOARD		1		I.B, S.B	
22	G	R01 N20 202	THERMISTOR		1	with tube & band	TH21	
23	G	T7W E01 294	ADDRESS BOARD		1		A.B	
24	G	R01 E01 031	SWITCH BOARD COVER		1			
25	G	T7W E52 716	TERMINAL BLOCK	3P(L1,L2,GR)	1		TB2	
26	G	T7W E53 716	TERMINAL BLOCK	3P(M1,M2,S)	1		TB5	
27	G	R01 E48 246	TERMINAL BLOCK	2P(1, 2)	1		TB15	
28	G	R01 E10 317	RECEIVER ASSY		1		W.B	
29	G	R01 E13 304	CABLE ASSY (ADDRESS)		1			
30	G	R01 E15 239	FUSE	3.15A 250V	1		FUSE	
31	G	R01 E12 304	CABLE (VANE MOTOR)		1			

2**OPTIONAL PARTS****2-1. WIRELESS REMOTE CONTROLLER**

Part No.	PAR-FL32MA
----------	------------

2-2. WIRED REMOTE CONTROLLER (MA REMOTE CONTROLLER)

Part No.	PAR-21MAA
----------	-----------

2-3. WIRED REMOTE CONTROLLER (ME REMOTE CONTROLLER)

Part No.	PAR-F27MEA
----------	------------

2-4. EXTERNAL HEATER ADAPTER

Part No.	PAC-YU25HT
----------	------------



CITY MULTI™



HEAD OFFICE : TOKYO BLDG., 2-7-3, MARUNOUCHI, CHIYODA-KU TOKYO 100-8310, JAPAN