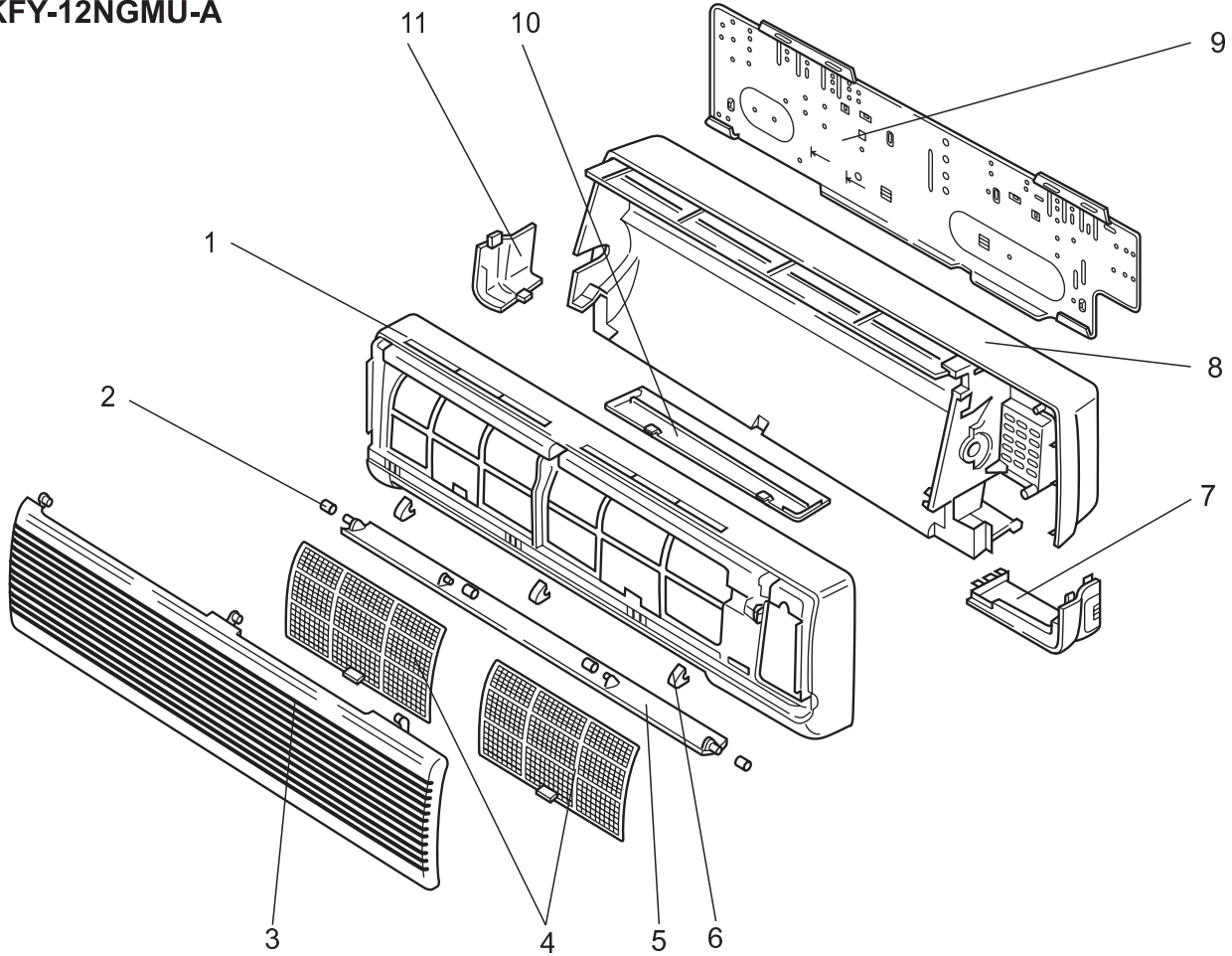
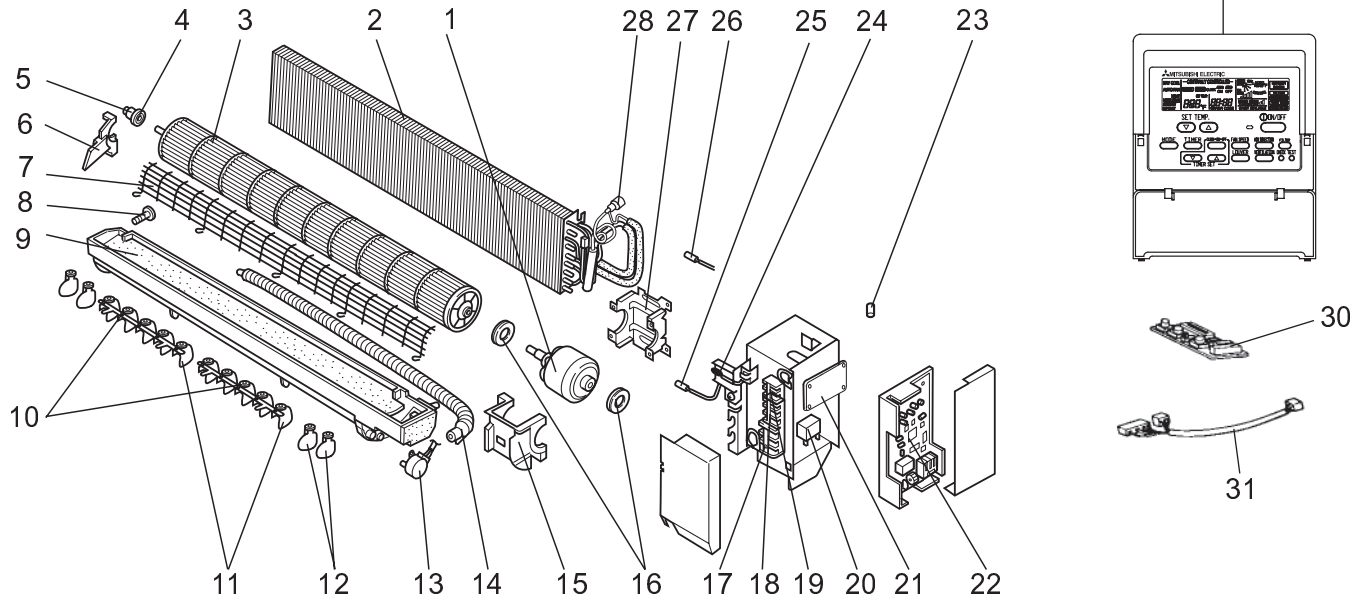


**STRUCTURAL PARTS  
PKFY-12NGMU-A**



No.	Parts No.	Parts Name	Specifications	PKFY-12NGMU-A	Remarks (Drawing No.)	Wiring Diagram Symbol	Recom- mended Q'ty	Price	
								Unit	Amount
1	R01 07Y 651	FRONT PANEL		1					
2	R01 07Y 092	VANE SLEEVE		1					
3	R01 07Y 691	FRONT GRILLE		1					
4	R01 A16 500	AIR FILTER		2					
5	R01 07Y 002	AUTO VANE		1					
6	R01 07Y 096	SCREW CAP		3					
7	R01 09Y 658	CORNER COVER		1					
8	R01 07Y 635	BOX ASSEMBLY		1					
9	R01 07Y 808	BACK PLATE		1					
10	R01 07Y 623	UNDER COVER		1					
11	R01 07Y 658	CORNER COVER		1					

## ELECTRICAL PARTS PKFY-12NGMU-A



No.	Parts No.	Parts Name	Specifications	PKFY- 12NGMU-A	Remarks (Drawing No.)	Wiring Diagram Symbol	Recom- mended Q'ty	Price	
								Unit	Amount
1	T7W E19 762	FAN MOTOR	PM4N30-KA	1		MF			
2	R01 E25 480	HEAT EXCHANGER		1					
3	R01 07Y 114	LINE FLOW FAN		1					
4	R01 005 103	SLEEVE BEARING		1					
5	R01 07Y 102	BEARING MOUNT		1					
6	R01 07Y 106	BEARING SUPPORT		1					
7	T7W A00 675	FAN GUARD		1					
8	R01 07Y 524	DRAIN PLUG		1					
9	R01 07Y 530	NOZZLE ASSY		1					
10	R01 07Y 059	ARM		2					
11	R01 07Y 038	GUIDE VANE		10					
12	R01 09Y 038	GUIDE VANE		4					
13	T7W E04 223	VANE MOTOR		1		MV			
14	R01 07Y 527	DRAIN HOSE		1					
15	R01 07Y 135	MOTOR COVER		1					
16	R01 07Y 105	RUBBER MOUNT		2					
17	T7W E11 716	TERMINAL BLOCK	3P(L1, L2, GR )	1		TB2			
18	T7W E17 716	TERMINAL BLOCK	3P(M1,M2,S)	1		TB5			
19	R01 556 246	TERMINAL BLOCK	2P(1,2)	1		TB15			
20	T7W E11 255	RUN CAPACITOR	2.0 $\mu$ F 440V	1		C			
21	R01 E02 313	POWER BOARD		1		P.B			
22	T7W E28 310	CONTROLLER BOARD		1		I.B			
23	T7W 410 239	FUSE	250V 6A	1		FUSE			
24	R01 E26 202	ROOM THERMISTOR		1		TH21			
25	R01 E28 202	LIQUID PIPE THERMISTOR		1		TH22			
26	T7W E25 202	GAS PIPE THERMISTOR		1		TH23			
27	R01 07Y 130	MOTOR SUPPORT		1					
28	R01 E27 401	LINEAR EXPANSION VALVE		1		LEV			
29	—	REMOTE CONTROLLER	PAR-20MAU	1					
30	T7W E00 294	ADDRESS BOARD		1		A.B			
31	R01 85Y 304	ADDRESS CABLE		1					

This REMOTE CONTROLLER is made by AIR-CONDITIONING & REFRIGERATION SYSTEMS WORKS., MITSUBISHI ELECTRIC CORPORATION.