



SPLIT-TYPE, HEAT PUMP AIR CONDITIONERS
SPLIT-TYPE, AIR CONDITIONERS

March 2009

No. OCB457

PARTS CATALOG

Series PKA Wall Mounted R410A

Indoor unit
[Model names]

[Service Ref.]

PKA-A24KA

PKA-A24KA.TH

PKA-A30KA

PKA-A30KA.TH

PKA-A36KA

PKA-A36KA.TH

PKA-A24KAL

PKA-A24KAL.TH

PKA-A30KAL

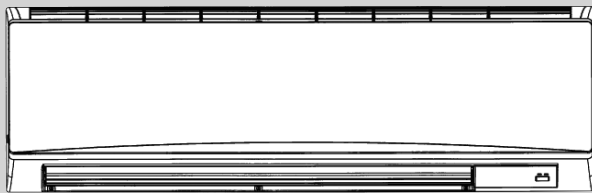
PKA-A30KAL.TH

PKA-A36KAL

PKA-A36KAL.TH

Note:

- RoHS compliant products have <G> mark on the spec name plate.

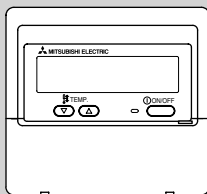


INDOOR UNIT

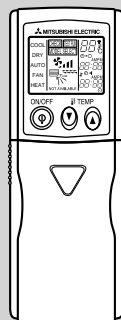
CONTENTS

1. RoHS PARTS LIST 2

SERVICE MANUAL (OCH457)



WIRED REMOTE CONTROLLER

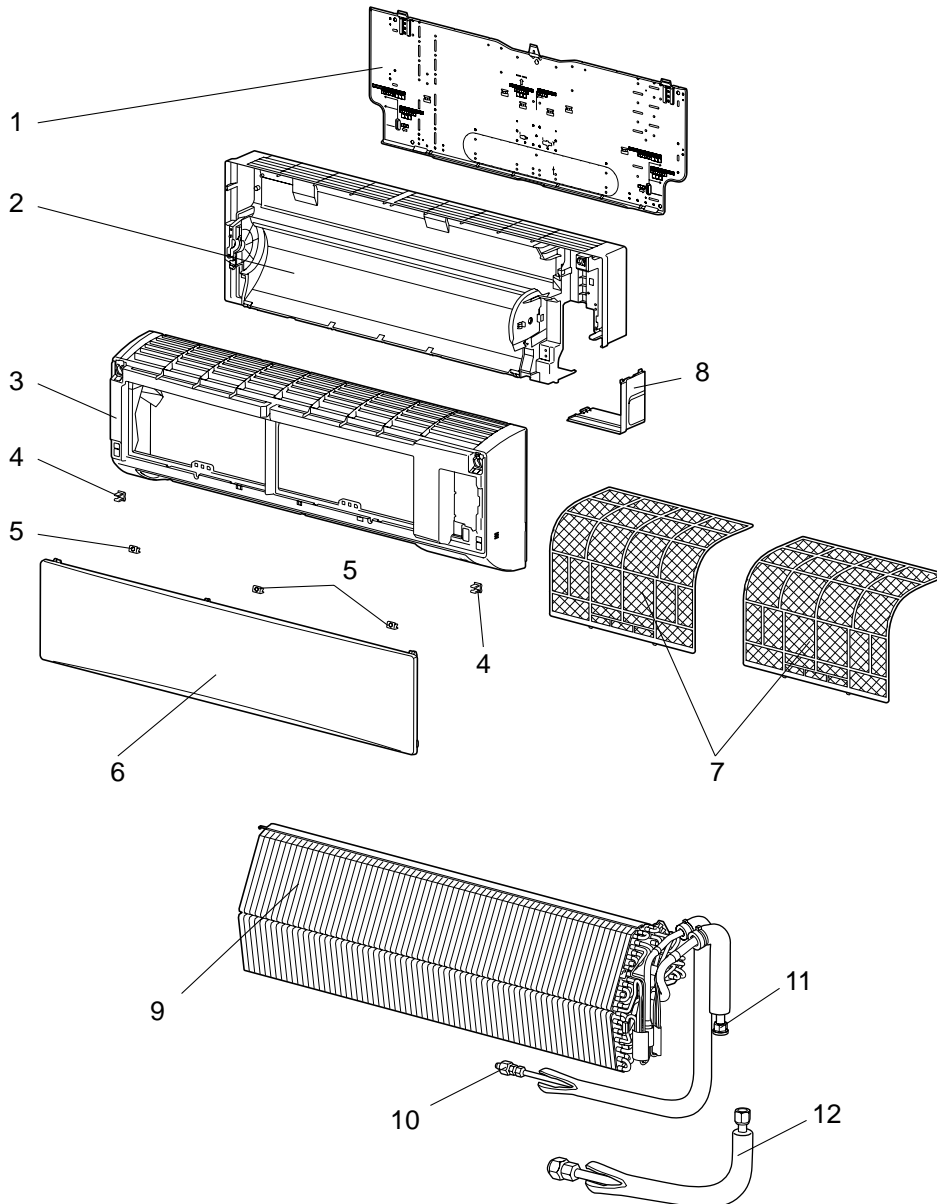


WIRELESS REMOTE CONTROLLER



PANEL AND HEAT EXCHANGER PARTS

PKA-A24KA.TH PKA-A30KA.TH PKA-A36KA.TH
PKA-A24KAL.TH PKA-A30KAL.TH PKA-A36KAL.TH





No.	RoHS	Part No.	Part Name	Specification	Q'ty/set		Remarks (Drawing No.)	Wiring Diagram Symbol	Recom- mended Q'ty
					PKA-A•KA(L).TH				
					24, 30	36			
1	G	E12 C92 970	INSTALLATION PLATE		1	1			
2	G	E12 D20 234	BOX		1	1			
3	G	E17 491 000	PANEL ASSEMBLY		1	1			
4	G	E12 408 142	CATCH		1	1	2pcs/set		
5	G	E12 C92 067	SCREW CAP		1	1	3pcs/set		
6	G	E12 C92 010	FRONT PANEL (NW)		1	1			
7	G	E12 C92 100	CATECHIN AIR FILTER		2	2			
8	G	E12 C92 975	CORNER BOX R		1	1			
9	G	E17 520 620	HEAT EXCHANGER		1				
	G	E17 522 620	HEAT EXCHANGER			1			
10	G	E12 527 667	UNION (LIQ)		1	1			
11	G	E12 C92 666	UNION (GAS)		1	1			
12	G	E17 518 980	JOINT ASSEMBLY		1	1			

FUNCTIONAL PARTS

PKA-A24KA.TH

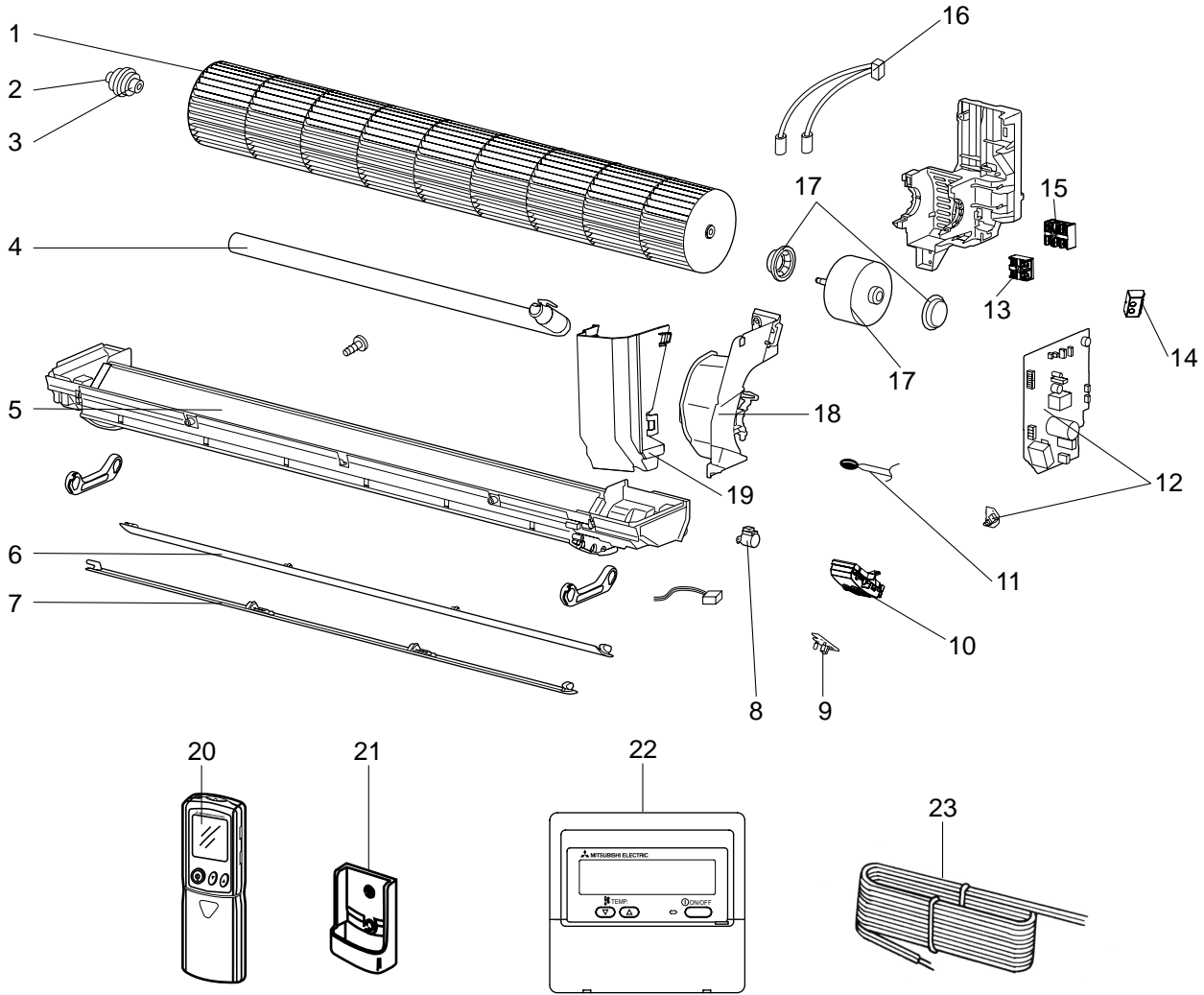
PKA-A30KA.TH

PKA-A36KA.TH

PKA-A24KAL.TH

PKA-A30KAL.TH

PKA-A36KAL.TH



Part numbers that are circled are not shown in the illustration.

No.	ROHS	Part No.	Part Name	Specification	Q'ty/set		Remarks (Drawing No.)	Wiring Diagram Symbol	Recom- mended Q'ty
					PKA-A24, 30, 36				
					KA.TH	KAL.TH			
1	G	E12 C92 302	LINE FLOW FAN		1	1			
2	G	E12 751 509	BEARING MOUNT		1	1			
3	G	E12 001 504	SLEEVE BEARING		1	1			
4	G	E12 408 702	DRAIN HOSE		1	1			
5	G	E17 515 235	NOZZLE ASSEMBLY		1	1			
6	G	E12 C92 040	VANE UPPER		1	1			
7	G	E12 C92 041	VANE LOWER		1	1			
8	G	E12 749 303	VANE MOTOR		1	1		MV	
9	G	E17 518 468	RECEIVER P.C.BOARD		1	1		W.B.	
10	G	E12 C92 095	RECEIVER HOLDER		1	1			
11	G	E17 518 308	ROOM TEMP. THERMISTOR		1	1		TH1	
12	G	E17 491 447	INDOOR CONTROLLER BOARD		1	1		I.B., S.W.	
13	G	E17 516 375	TERMINAL BLOCK	2P (1, 2)	1			TB5	
14	G	E17 518 782	SWITCH HOLDER		1	1			
15	G	E17 491 375	TERMINAL BLOCK	3P (S1,S2,S3)	1	1		TB4	
16	G	E17 491 307	THERMISTOR (PIPE)		1	1		TH2,TH5	
17	G	E12 C92 300	FAN MOTOR		1	1		MF	
18	G	E12 C92 333	MOTOR BAND		1	1			
19	G	E17 518 541	WATER COVER		1	1			
20	G	E17 491 426	WIRELESS REMOTE CONTROLLER			1			
21	G	E17 489 083	REMOTE CONTROLLER HOLDER			1			
22	G	E17 520 426	WIRED REMOTE CONTROLLER		1				
23	G	E17 520 089	REMOTE CONTROL CABLE		1				
24	G	E12 A49 382	FUSE	3.15A 250V	1	1		FUSE	

Mr. SLIM™

 **MITSUBISHI ELECTRIC CORPORATION**

HEAD OFFICE : TOKYO BLDG., 2-7-3, MARUNOUCHI, CHIYODA-KU TOKYO 100-8310, JAPAN