

SPLIT-SYSTEM HEAT PUMP

February 2023

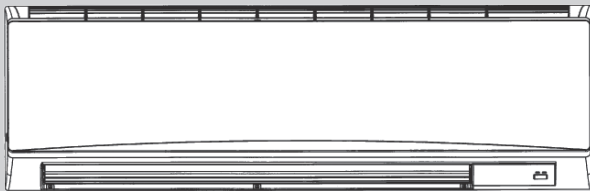
No. TCB115

PARTS CATALOG

Series PKA Wall Mounted R410A

Indoor unit
[Model Name] [Service Ref.]

PKA-A24KA8	PKA-A24KA8
PKA-A30KA8	PKA-A30KA8
PKA-A36KA8	PKA-A36KA8



INDOOR UNIT

CONTENTS

- 1. SERVICE PARTS LIST 2
- 2. OPTIONAL PARTS 6

SERVICE MANUAL (TCH115)



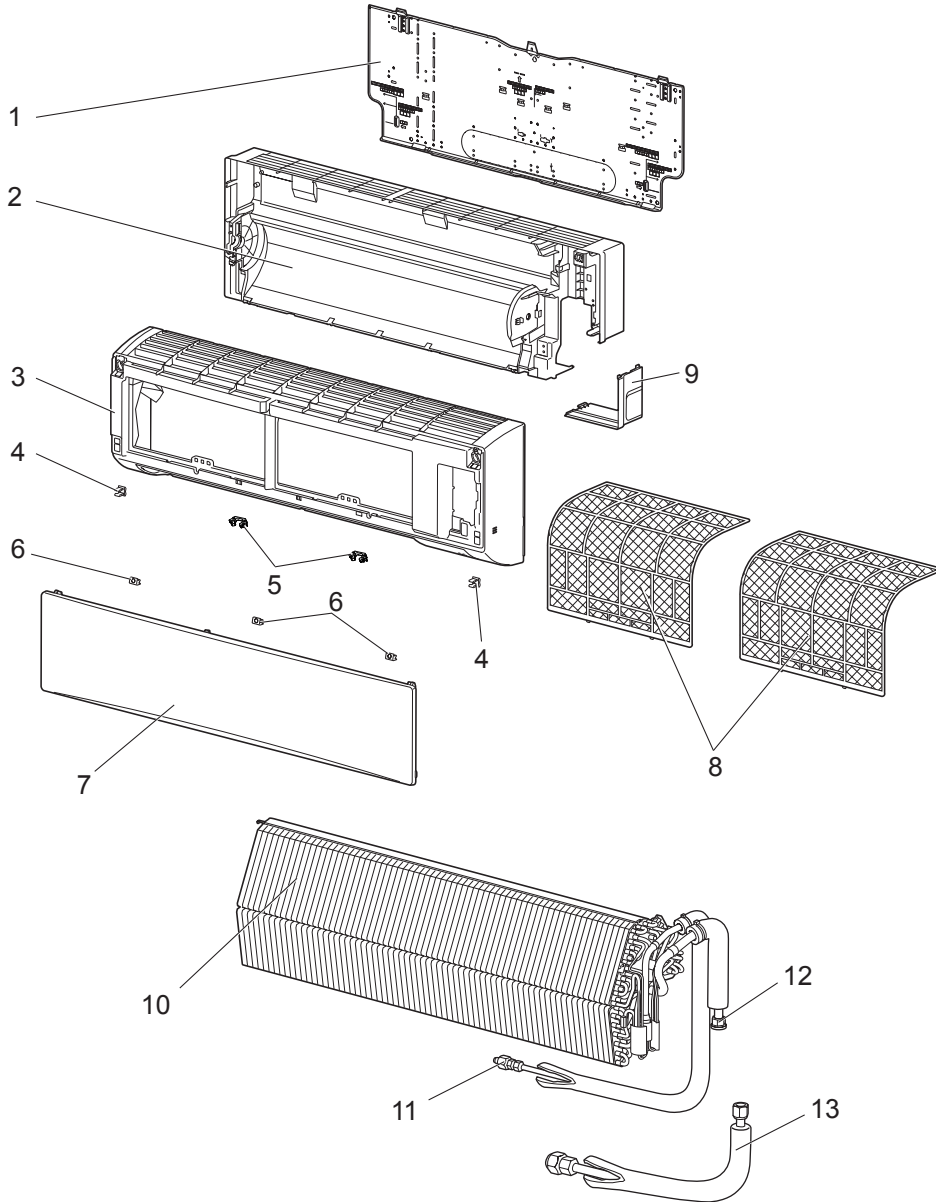
WIRELESS REMOTE
CONTROLLER
(Option)

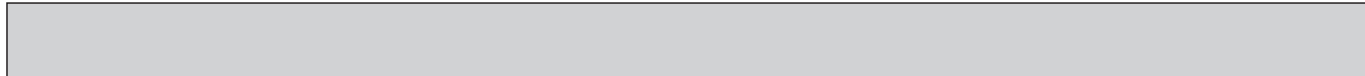


WIRED REMOTE
CONTROLLER
(Option)

PANEL AND HEAT EXCHANGER PARTS
PKA-A24KA8 **PKA-A30KA8**

PKA-A36KA8





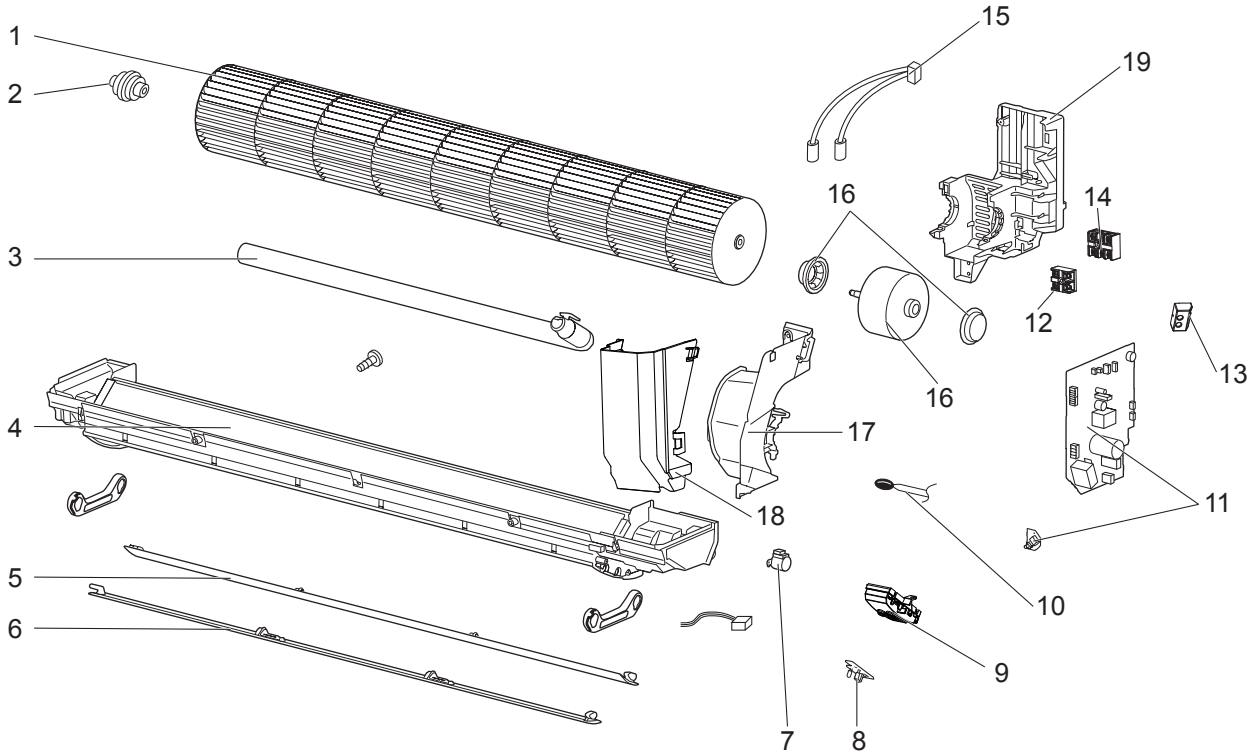
No.	Parts No.	Parts Name	Specification	Q'ty/unit			Remarks (Drawing No.)	Wiring Diagram Symbol	Recom- mended Q'ty
				PKA-A24KA8	PKA-A30KA8	PKA-A36KA8			
1	E22 C92 970	INSTALLATION PLATE		1	1	1			
2	E22 D20 234	BOX ASSEMBLY		1	1	1			
3	E27 B04 000	PANEL ASSEMBLY		1	1	1			
4	E22 408 142	CATCH		2	2	2	2 pcs/ set		
5	E22 C92 142	CATCH		2	2	2	2 pcs/ set		
6	E22 C92 067	SCREW CAP		3	3	3	3 pcs/ set		
7	E27 B04 010	FRONT PANEL		1	1	1			
8	E22 C92 100	CATECHIN AIR FILTER		2	2	2	1 pc/ set		
9	E22 C92 975	CORNER BOX R		1	1	1			
10	E27 T40 620	HEAT EXCHANGER		1	1		Except connect pipe		
	E27 T41 620	HEAT EXCHANGER				1	Except connect pipe		
11	E22 527 667	UNION (LIQ)		1	1	1			
12	E22 C92 666	UNION (GAS)		1	1	1			
13	E27 518 980	JOINT ASSEMBLY		1	1	1			

FUNCTIONAL PARTS

PKA-A24KA8

PKA-A30KA8

PKA-A36KA8



Part numbers that are circled are not shown in the illustration.

No.	Part No.	Part Name	Specification	Q'ty/unit			Remarks (Drawing No.)	Wiring Diagram Symbol	Recom- mended Q'ty
				PKA-A24KA8	PKA-A30KA8	PKA-A36KA8			
1	E22 R79 302	LINE FLOW FAN		1	1	1			
2	E22 A89 509	BEARING MOUNT		1	1	1			
3	E22 T20 702	DRAIN HOSE		1	1	1			
4	E27 60R 235	NOZZLE ASSEMBLY		1	1	1			
5	E22 C92 040	VANE UPPER		1	1	1			
6	E22 C92 041	VANE LOWER		1	1	1			
7	E22 749 303	VANE MOTOR		1	1	1		M	
8	E27 518 468	RECEIVER P.C. BOARD		1	1	1		W.B.	
9	E22 C92 095	RECEIVER HOLDER		1	1	1			
10	E27 518 308	ROOM TEMP. THERMISTOR		1	1	1		TH1	
11	E27 60R 447	INDOOR CONTROLLER BOARD		1	1	1		I.B., S.W.	
12	E27 516 375	TERMINAL BLOCK	2P (1, 2)	1	1	1		TB5	
13	E27 518 782	SWITCH HOLDER		1	1	1			
14	E27 21F 375	TERMINAL BLOCK	3P (S1,S2,S3)	1	1	1		TB4	
15	E27 491 307	THERMISTOR (PIPE)		1	1	1		TH2,TH5	
16	E27 30E 300	FAN MOTOR		1	1	1		MF	
17	E22 C92 333	MOTOR BAND		1	1	1			
18	E27 518 541	WATER COVER		1	1	1			
19	E22 55J 333	MOTOR BED		1	1	1			
20	E22 C67 382	FUSE	3.15A 250V	1	1	1		FUSE	

2**OPTIONAL PARTS**

Parts name	Parts No.
WIRED REMOTE CONTROLLER	PAR-41MAA, PAC-YT53CRAU
WIRELESS REMOTE CONTROLLER	PAR-SL101A-E
WIRELESS SIGNAL RECEIVER	PAR-FA32MA
DRAIN PUMP	PAC-SK19DM-E
REMOTE ON/OFF ADAPTER	PAC-SE55RA-E
Wi-Fi INTERFACE	PAC-WHS01WF-E

MITSUBISHI ELECTRIC CORPORATION

HEAD OFFICE : TOKYO BUILDING, 2-7-3, MARUNOUCHI, CHIYODA-KU, TOKYO 100-8310, JAPAN

MITSUBISHI ELECTRIC CONSUMER PRODUCTS (THAILAND) CO., LTD.
700/406 MOO 7, TAMBON DON HUA ROH,
AMPHUR MUANG, CHONBURI 20000 THAILAND
Published: Feb. 2023 No. TCB115
Made in Thailand

Specifications are subject to change without notice.