

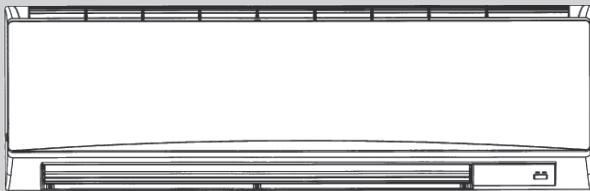
PARTS CATALOG

Series PKA Wall Mounted R410A

Indoor unit
[Model Name] [Service Ref.]

PKA-A24KA7	PKA-A24KA7.TH
PKA-A30KA7	PKA-A30KA7.TH
PKA-A36KA7	PKA-A36KA7.TH

Note:
• RoHS compliant products have <G> mark on the spec name plate.

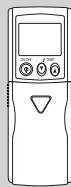


INDOOR UNIT

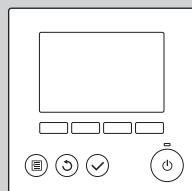
CONTENTS

1. RoHS PARTS LIST2

SERVICE MANUAL (OCH639)



IR WIRELESS REMOTE
CONTROLLER
(Option)



WIRED REMOTE
CONTROLLER
(Option)

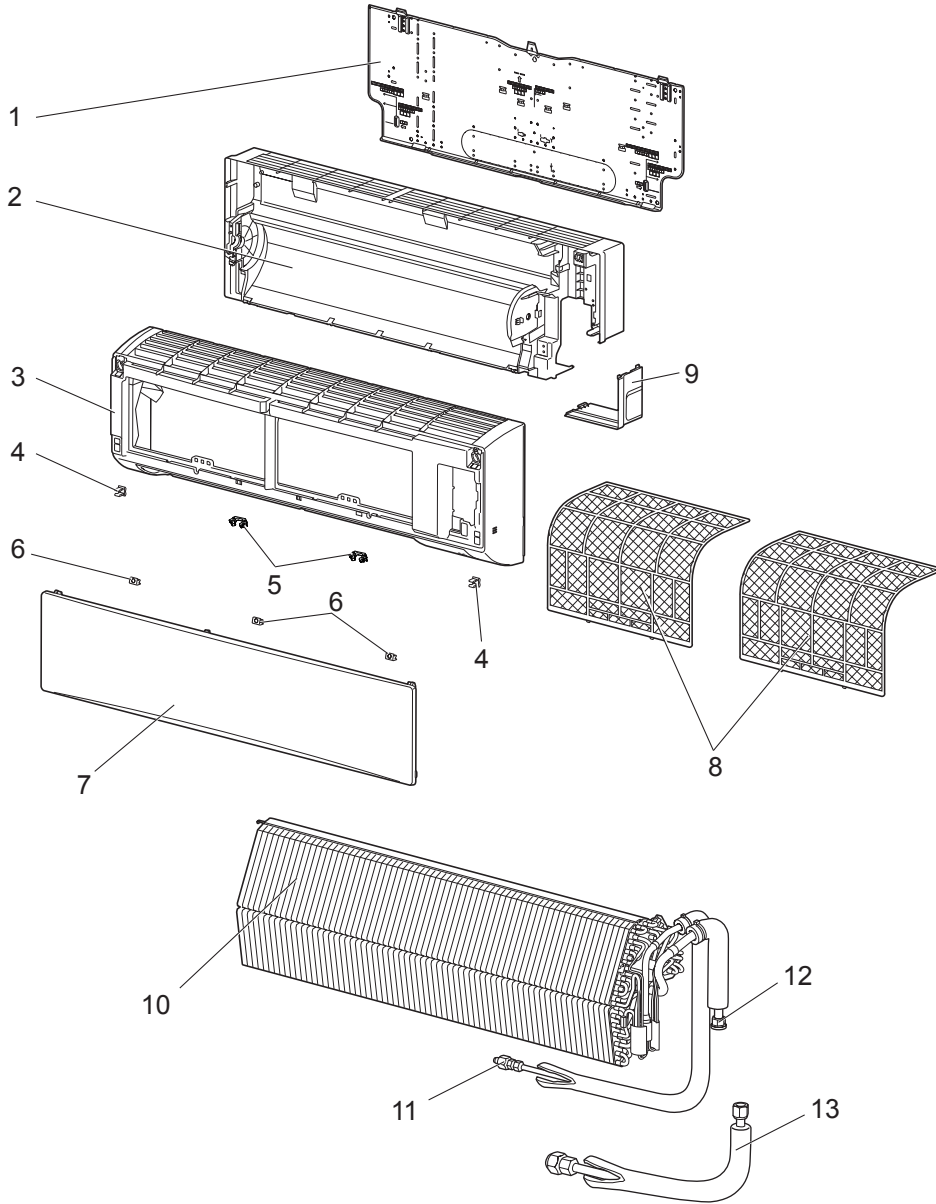
Mr. SLIM

PANEL AND HEAT EXCHANGER PARTS

PKA-A24KA7.TH

PKA-A30KA7.TH

PKA-A36KA7.TH



RoHS PARTS LIST

No.	RoHS	Parts No.	Parts Name	Specification	Q'ty/unit			Remarks (Drawing No.)	Wiring Diagram Symbol	Recom- mended Q'ty
					PKA-A24KA7.TH	PKA-A30KA7.TH	PKA-A36KA7.TH			
1	G	E12 C92 970	INSTALLATION PLATE		1	1	1			
2	G	E12 D20 234	BOX ASSEMBLY		1	1	1			
3	G	E17 B04 000	PANEL ASSEMBLY		1	1	1			
4	G	E12 408 142	CATCH		2	2	2	2 pcs/ set		
5	G	E12 C92 142	CATCH		2	2	2	2 pcs/ set		
6	G	E12 C92 067	SCREW CAP		3	3	3	3 pcs/ set		
7	G	E17 B04 010	FRONT PANEL		1	1	1			
8	G	E12 C92 100	CATECHIN AIR FILTER		2	2	2	1 pc/ set		
9	G	E12 C92 975	CORNER BOX R		1	1	1			
10	G	E17 520 620	HEAT EXCHANGER		1	1				
	G	E17 522 620	HEAT EXCHANGER				1			
11	G	E12 527 667	UNION (LIQ)		1	1	1			
12	G	E12 C92 666	UNION (GAS)		1	1	1			
13	G	E17 518 980	JOINT ASSEMBLY		1	1	1			

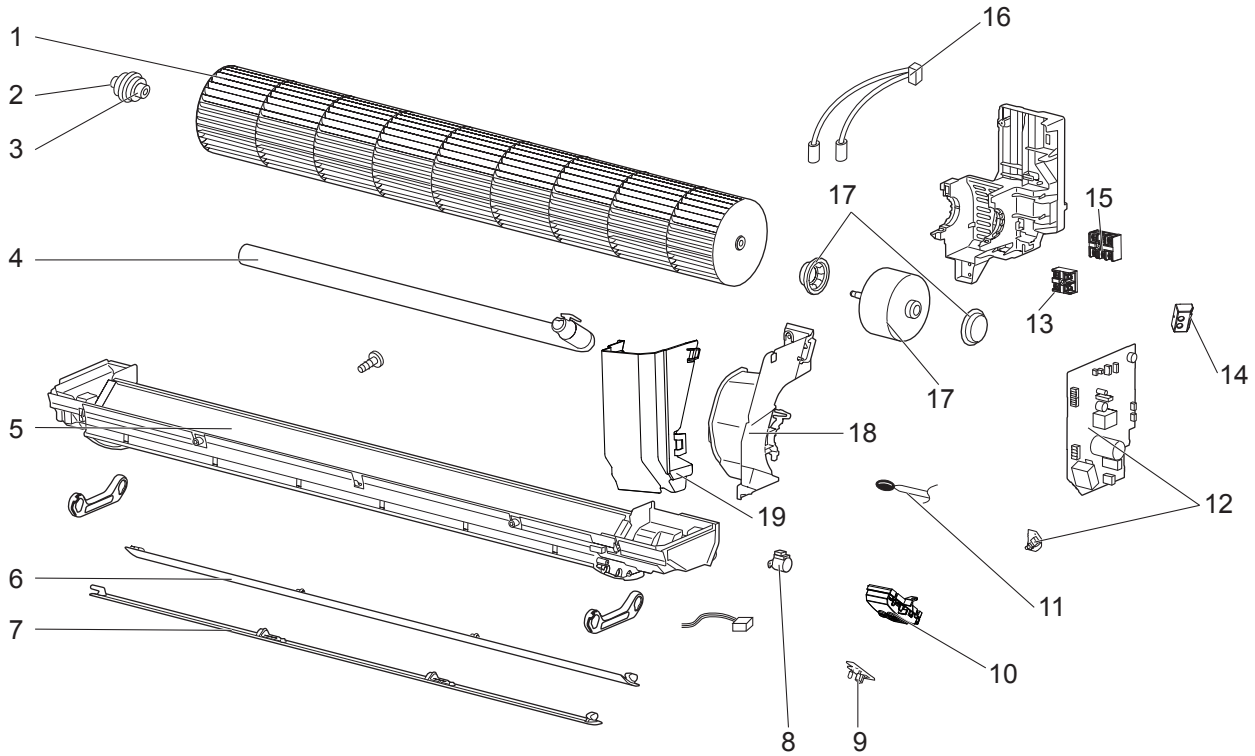
RoHS PARTS LIST

FUNCTIONAL PARTS

PKA-A24KA7.TH

PKA-A30KA7.TH

PKA-A36KA7.TH



RoHS PARTS LIST

Part numbers that are circled are not shown in the illustration.

No.	RoHS	Part No.	Part Name	Specification	Q'ty/unit			Remarks (Drawing No.)	Wiring Diagram Symbol	Recom- mended Q'ty
					PKA-A24KA7.TH	PKA-A30KA7.TH	PKA-A36KA7.TH			
1	G	E12 R79 302	LINE FLOW FAN		1	1	1			
2	G	E12 751 509	BEARING MOUNT		1	1	1			
3	G	E12 001 504	SLEEVE BEARING		1	1	1			
4	G	E12 T20 702	DRAIN HOSE		1	1	1			
5	G	E17 515 235	NOZZLE ASSEMBLY		1	1	1			
6	G	E12 C92 040	VANE UPPER		1	1	1			
7	G	E12 C92 041	VANE LOWER		1	1	1			
8	G	E12 749 303	VANE MOTOR		1	1	1		M	
9	G	E17 518 468	RECEIVER P.C. BOARD		1	1	1		W.B.	
10	G	E12 C92 095	RECEIVER HOLDER		1	1	1			
11	G	E17 518 308	ROOM TEMP. THERMISTOR		1	1	1		TH1	
12	G	E17 D91 447	INDOOR CONTROLLER BOARD		1	1	1		I.B., S.W.	
13	G	E17 516 375	TERMINAL BLOCK	2P (1, 2)	1	1	1		TB5	
14	G	E17 518 782	SWITCH HOLDER		1	1	1			
15	G	E17 491 375	TERMINAL BLOCK	3P (S1,S2,S3)	1	1	1		TB4	
16	G	E17 491 307	THERMISTOR (PIPE)		1	1	1		TH2,TH5	
17	G	E12 C92 300	FAN MOTOR		1	1	1		MS	
18	G	E12 C92 333	MOTOR BAND		1	1	1			
19	G	E17 518 541	WATER COVER		1	1	1			
20	G	E12 784 382	FUSE	3.15A 250V	1	1	1		FUSE	

Mr. SLIM

mitsubishi electric corporation

HEAD OFFICE : TOKYO BUILDING, 2-7-3, MARUNOUCHI, CHIYODA-KU, TOKYO 100-8310, JAPAN