

SPLIT-SYSTEM HEAT PUMP PKA-A·KA6

INSTALLATION MANUAL

For safe and correct use, read this manual and the outdoor unit installation manual thoroughly before installing the air-conditioner unit.

FOR INSTALLER

MANUEL D'INSTALLATION

Avant d'installer le climatiseur, lire attentivement ce manuel, ainsi que le manuel d'installation de l'appareil extérieur pour une utilisation sûre et correct.

POUR L'INSTALLATEUR

MANUAL DE INSTALACIÓN

Para un uso correcto y seguro, lea detalladamente este manual y el manual de instalación de la unidad exterior antes de instalar la unidad de aire acondicionado.

PARA EL INSTALADOR

English

Français

Español

Contents

1. Safety precautions.....	2	5. Drainage piping work.....	8
2. Installation location.....	3	6. Electrical work.....	9
3. Installing the indoor unit.....	3	7. Test run.....	12
4. Installing the refrigerant piping.....	7	8. Easy maintenance function.....	14

1. Safety precautions

- ▶ Before installing the unit, make sure you read all the “Safety precautions”.
- ▶ Please report to your supply authority or obtain their consent before connecting this equipment to the power supply system.

⚠ Warning:

Describes precautions that must be observed to prevent danger of injury or death to the user.

⚠ Caution:

Describes precautions that must be observed to prevent damage to the unit.

⚠ Warning:

- Ask a dealer or an authorized technician to install the unit.
- For installation work, follow the instructions in the Installation Manual and use tools and pipe components specifically made for use with refrigerant specified in the outdoor unit installation manual.
- The unit must be installed according to the instructions in order to minimize the risk of damage from earthquakes, typhoons, or strong winds. An incorrectly installed unit may fall down and cause damage or injuries.
- The unit must be securely installed on a structure that can sustain its weight.
- If the air conditioner is installed in a small room, measures must be taken to prevent the refrigerant concentration in the room from exceeding the safety limit in the event of refrigerant leakage. Should the refrigerant leak and cause the concentration limit to be exceeded, hazards due to lack of oxygen in the room may result.
- Ventilate the room if refrigerant leaks during operation. If refrigerant comes into contact with a flame, poisonous gases will be released.
- All electric work must be performed by a qualified technician according to local regulations and the instructions given in this manual.

1.1. Before installation (Environment)

⚠ Caution:

- Do not use the unit in an unusual environment. If the air conditioner is installed in areas exposed to steam, volatile oil (including machine oil), or sulfuric gas, areas exposed to high salt content such as the seaside, the performance can be significantly reduced and the internal parts can be damaged.
- Do not install the unit where combustible gases may leak, be produced, flow, or accumulate. If combustible gas accumulates around the unit, fire or explosion may result.
- Do not keep food, plants, caged pets, artwork, or precision instruments in the direct airflow of the indoor unit or too close to the unit as these items can be damaged by temperature changes or dripping water.

1.2. Before installation or relocation

⚠ Caution:

- Be extremely careful when transporting the units. Two or more persons are needed to handle the unit as it weighs 20 kg, 44lbs or more. Do not grasp the packaging bands. Wear protective gloves as you can injure your hands on the fins or other parts.
- Be sure to safely dispose of the packaging materials. Packaging materials, such as nails and other metal or wooden parts may cause stabs or other injuries.

1.3. Before electric work

⚠ Caution:

- Be sure to install molded case circuit breakers. If not installed, electric shock may result.
- For the power lines, use standard cables of sufficient capacity. Otherwise, a short circuit, overheating, or fire may result.
- When installing the power lines, do not apply tension to the cables.

1.4. Before starting the test run

⚠ Caution:

- Turn on the main power switch more than 12 hours before starting operation. Starting operation just after turning on the power switch can severely damage the internal parts.
- Before starting operation, check that all panels, guards and other protective parts are correctly installed. Rotating, hot, or high voltage parts can cause injuries.

After installation work has been completed, explain the “Safety precautions,” use, and maintenance of the unit to the customer according to the information in the Operation Manual and perform the test run to ensure normal operation. Both the Installation Manual and Operation Manual must be given to the user for keeping. These manuals must be passed on to subsequent users.

⚡ : Indicates a part which must be grounded.

⚠ Warning:

Carefully read the labels affixed to the main unit.

- Use only specified cables for wiring.
- The terminal block cover panel of the unit must be firmly attached.
- Use only accessories authorized by Mitsubishi Electric and ask a dealer or an authorized technician to install them.
- The user should never attempt to repair the unit or transfer it to another location.
- After installation has been completed, check for refrigerant leaks. If refrigerant leaks into the room and comes into contact with the flame of a heater or portable cooking range, poisonous gases will be released.
- When installing or relocating, or servicing the air conditioner, use only the specified refrigerant (R410A) to charge the refrigerant lines. Do not mix it with any other refrigerant and do not allow air to remain in the lines. If air is mixed with the refrigerant, then it can be the cause of abnormal high pressure in the refrigerant line, and may result in an explosion and other hazards.

The use of any refrigerant other than that specified for the system will cause mechanical failure or system malfunction or unit breakdown. In the worst case, this could lead to a serious impediment to securing product safety.

- When the room humidity exceeds 80% or when the drainpipe is clogged, water may drip from the indoor unit. Do not install the indoor unit where such dripping can cause damage.
- When installing the unit in a hospital or communications office, be prepared for noise and electronic interference. Inverters, home appliances, high-frequency medical equipment, and radio communications equipment can cause the air conditioner to malfunction or breakdown. The air conditioner may also affect medical equipment, disturbing medical care, and communications equipment, harming the screen display quality.

- Thermal insulation of the refrigerant pipe is necessary to prevent condensation. If the refrigerant pipe is not properly insulated, condensation will be formed.
- Place thermal insulation on the pipes to prevent condensation. If the drainpipe is installed incorrectly, water leakage and damage to the ceiling, floor, furniture, or other possessions may result.
- Do not clean the air conditioner unit with water. Electric shock may result.
- Tighten all flare nuts to specification using a torque wrench. If tightened too much, the flare nut can break after an extended period.

- Be sure to ground the unit. If the unit is not properly grounded, electric shock may result.
- Use circuit breakers (ground fault interrupter, isolating switch (+B fuse), and molded case circuit breaker) with the specified capacity. If the circuit breaker capacity is larger than the specified capacity, breakdown or fire may result.

- Do not operate the air conditioner without the air filter set in place. If the air filter is not installed, dust may accumulate and breakdown may result.
- Do not touch any switch with wet hands. Electric shock may result.
- Do not touch the refrigerant pipes with bare hands during operation.
- After stopping operation, be sure to wait at least five minutes before turning off the main power switch. Otherwise, water leakage or breakdown may result.

3. Installing the indoor unit

3.2.3. Installing the wall mounting fixture (Fig. 3-4)

- ▶ Since the indoor unit weighs near 21 kg, 46.3lbs, selection of the mounting location requires thorough consideration. If the wall does not seem to be strong enough, reinforce it with boards or beams before installation.
- ▶ The mounting fixture must be secured at both ends and at the centre, if possible. Never fix it at a single spot or in any nonsymmetrical way. (If possible, secure the fixture at all the positions marked with a bold arrow.)

⚠ Warning:

If possible, secure the fixture at all positions indicated with a bold arrow.

⚠ Caution:

- The unit body must be mounted horizontally.
- Fasten at the holes marked with ▲ as shown by the arrows.

- Ⓐ Min. 120 mm, 4-11/16 inch
- Ⓑ Min. 220 mm, 8-11/16 inch
- Ⓒ Min. 70 mm, 2-3/4 inch
- Ⓓ Fixing screws (4 × 25) ②
- Ⓔ Level
- Ⓕ Fasten a thread to the hole.
- Ⓖ Place the level against the horizontal reference line of the mount board and mount so that it is level. Hang a weight from the thread and align with ▽ EPK of the mount board to permit leveling.
- Ⓗ Weight
- Ⓚ Mount board ①

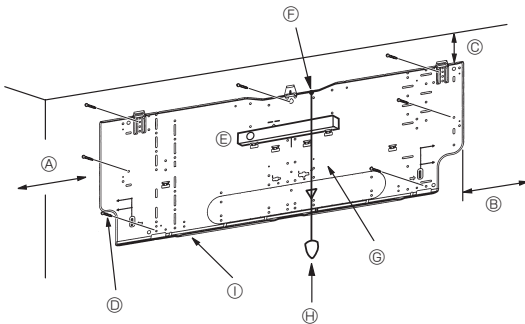


Fig. 3-4

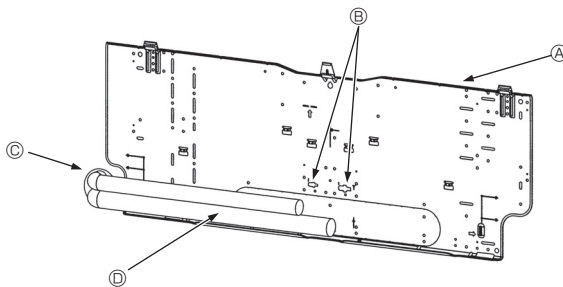


Fig. 3-5

3.3. When embedding pipes into the wall (Fig. 3-5)

- The pipes are on the bottom left.
- When the cooling pipe, drain pipes internal/external connection lines etc are to be embedded into the wall in advance, the extruding pipes etc, may have to be bent and have their length modified to suit the unit.
- Use marking on the mount board as a reference when adjusting the length of the embedded cooling pipe.
- During construction, give the length of the extruding pipes etc some leeway.

- Ⓐ Mount board ①
- Ⓑ Reference marking for flare connection
- Ⓒ Through hole
- Ⓓ On-site piping

3.4. Preparing the indoor unit

- * Check beforehand because the preparatory work will differ depending on the exiting direction of the piping.
- * When bending the piping, bend gradually while maintaining the base of the piping exiting portion. (Abrupt bending will cause misshaping of the piping.)
- * Do not perform piping on the right side.

Attachment of L-shaped connection pipe ④

Left and rear piping (Fig. 3-6)

1. Remove the flare nut and cap of the indoor unit. (Gas pipe only)
2. Apply refrigerating machine oil to the flare sheet surface. (Preparation on location)
3. Facing the direction in which the L-shaped connection pipe ④ will be removed, make a quick connection to the indoor unit flare connection opening.
4. Tighten the flare nut using a double open-end wrench. (Fig. 3-9)
Tightening force: 68~82 N·m, 49~59ft lbs
5. Attach the charge nut ⑤ to the liquid pipe side joint portion, and check for leakage of the L-shaped connection pipe ④ connection portion. Remove the charge nut ⑤ after completion of the work.
Tightening force: 34~42 N·m, 25~30ft lbs
6. Cover the flare connection portion with the pipe cover of the L-shaped connection pipe ④ so that it is not exposed. (Fig. 3-10)

- Ⓐ L-shaped connection pipe ④
- Ⓑ Cut-off position (Straight pipe portion)
- Ⓒ Tightening direction
- Ⓓ Cover with pipe cover
- Ⓔ Cover the flare nut connection portion with the pipe cover.

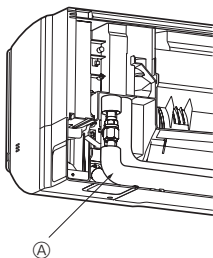


Fig. 3-6

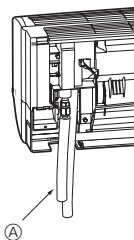


Fig. 3-7



Fig. 3-8

Lower piping (Fig. 3-7)

1. Cut L-shaped connection pipe ④ at the position indicated in (Fig. 3-8).
2. Insert the flare nut that was removed earlier onto the straight pipe side of the cut L-shaped connection pipe ④ and then flare the end of the pipe.
3. Remove the flare nut and cap of the indoor unit. (Gas pipe only)
4. Apply refrigerating machine oil to the flare sheet surface. (Preparation on location)
5. Quickly connect the L-shaped connection pipe ④ that has been processed as described in part 2) to the indoor unit flare connection opening.
6. Tighten the flare nut using a double open-end wrench. (Fig. 3-9)
Tightening force: 68~82 N·m, 49~59ft lbs
7. Attach the charge nut ⑤ to the liquid pipe side joint portion, and check for leakage of the L-shaped connection pipe ④ connection portion. Remove the charge nut ⑤ after completion of the work.
Tightening force: 34~42 N·m, 25~30ft lbs
8. Cover the flare connection portion with the pipe cover of the L-shaped connection pipe ④ so that it is not exposed. (Fig. 3-10)

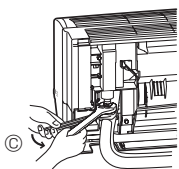


Fig. 3-9

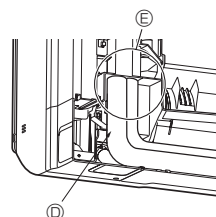


Fig. 3-10

3. Installing the indoor unit

Leakage check of the L-shaped connection pipe connection portion

1. Attach the charge nut ⑤ to the liquid pipe side joint portion.
Tightening force: 34~42 N·m, 25~30ft lbs
2. Pressurize by filling with nitrogen gas from the charge nut.
Do not pressurize to the current constant pressure all at once. Pressurize gradually.
 - 1) Pressurize to 0.5MPa, 73PSIB wait five minutes, and make sure the pressure does not decrease.
 - 2) Pressurize to 1.5MPa, 218PSIB wait five minutes, and make sure the pressure does not decrease.
 - 3) Pressurize to 4.15MPa, 606PSIB and measure the surrounding temperature and refrigerant pressure.
3. If the specified pressure holds for about one day and does not decrease, the pipes have passed the test and there are no leaks.
 - If the surrounding temperature changes by 33.8°F, the pressure will change by about 0.01MPa, 1.5PSIB. Make the necessary corrections.
4. If the pressure decreases in steps (2) or (3), there is a gas leak. Look for the source of the gas leak.

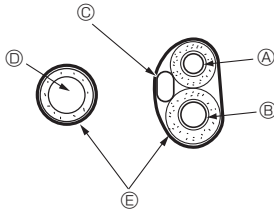


Fig. 3-11

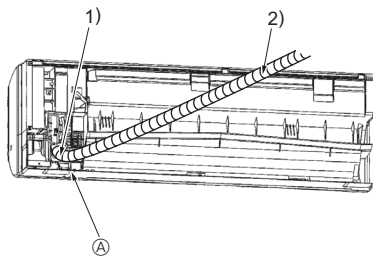


Fig. 3-12

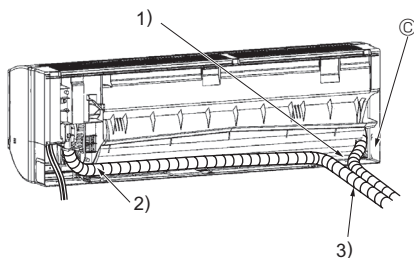
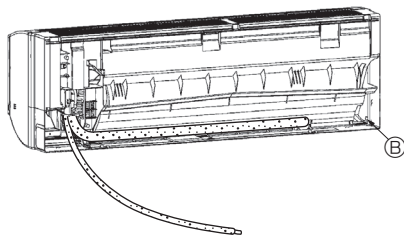


Fig. 3-13

Extraction and processing of the piping and wiring (Fig. 3-11)

1. Connection of indoor/outdoor wiring → See page. 9.
2. Wrap the felt tape ③ in the range of the refrigerant piping and drain hose which will be housed within the piping space of the indoor unit.
 - Wrap the felt tape ③ securely from the base for each of the refrigerant piping and the drain hose.
 - Overlap the felt tape ③ at one-half of the tape width.
 - Fasten the end portion of the wrapping with vinyl tape.
3. Be careful that the drain hose is not raised, and that contact is not made with the indoor unit box body.
Do not pull the drain hose forcefully because it might come out.

Rear and lower piping (Fig. 3-12)

- 1) Be careful that the drain hose is not raised, and that contact is not made with the indoor unit box body.
Arrange the drain hose at the underside of the piping and wrap it with felt tape ③.
- 2) Securely wrap the felt tape ③ starting from the base. (Overlap the felt tape at one-half of the tape width.)
Ⓐ Cut off for lower piping.

Left and left rear piping (Fig. 3-13)

4. Drain hose replacement → See 5. Drainage piping work
Be sure to replace the drain hose and the drain cap for the left and rear left piping. Dripping may occur if you forget to install or fail to replace these parts.
Ⓑ Drain cap
 - 1) Be careful that the drain hose is not raised, and that contact is not made with the indoor unit box body.
 - 2) Securely wrap the felt tape ③ starting from the base. (Overlap the felt tape at one-half of the tape width.)
 - 3) Fasten the end portion of the felt tape ③ with vinyl tape.
Ⓒ Cut off for left piping.

3. Installing the indoor unit

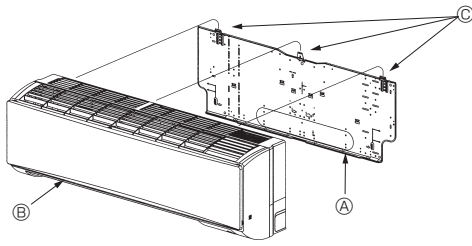


Fig. 3-14

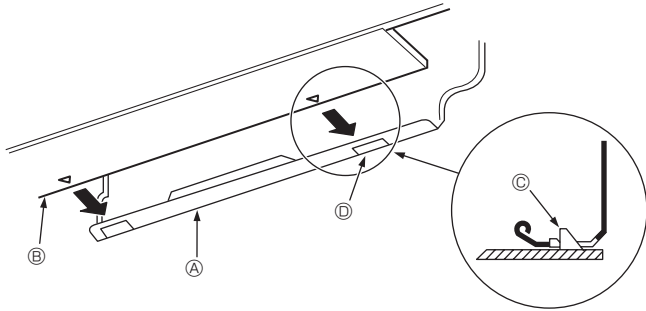


Fig. 3-15

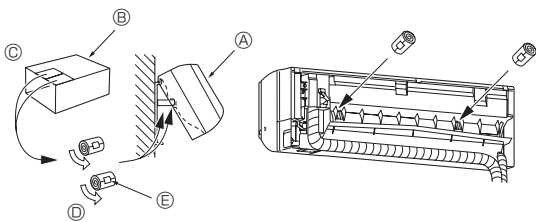


Fig. 3-16

3.5. Mounting the indoor unit

1. Affix the mount board ① to the wall.
2. Hang the indoor unit on the hook positioned on the upper part of the mount board.

Rear and lower piping (Fig. 3-14)

3. While inserting the refrigerant piping and drain hose into the wall penetration hole (penetration sleeve), hang the top of the indoor unit to the mount board ①.
 4. Move the indoor unit to the left and right, and verify that the indoor unit is hung securely.
 5. Fasten by pushing the bottom part of the indoor unit onto the mount board ①. (Fig. 3-15)
- * Check that the knobs on the bottom of the indoor unit are securely hooked into the mount board ①.
6. After installation, be sure to check that the indoor unit is installed level.

- ① Mount board
- ② Indoor unit
- ③ Hook
- ④ square hole

Left and left rear piping (Fig. 3-16)

3. While inserting the drain hose into the wall penetration hole (penetration sleeve), hang the top of the indoor unit to the mount board ①. Giving consideration to the piping storage, move the unit all the way to the left side, then cut part of the packaging carton and wrap into a cylindrical form as illustrated in the diagram. Hook this to the rear surface rib as a spacer, and raise the indoor unit.
 4. Connect the refrigerant piping with the site-side refrigerant piping.
 5. Fasten by pushing the bottom part of the indoor unit onto the mount board ①.
- * Check that the knobs on the bottom of the indoor unit are securely hooked into the mount board ①.
6. After installation, be sure to check that the indoor unit is installed level.

- ① Indoor unit
- ② Packaging carton
- ③ Cut off
- ④ Wrap into a cylindrical form
- ⑤ Fasten with tape

4. Installing the refrigerant piping

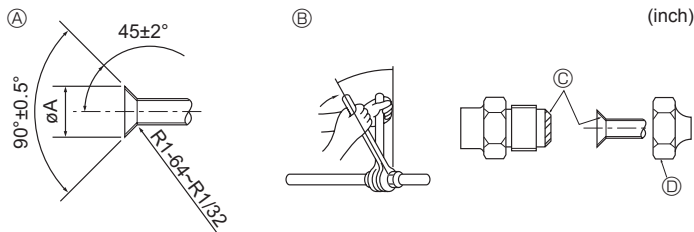


Fig. 4-1

4.1. Precautions

4.1.1. For devices that use R410A refrigerant

- Use ester oil, ether oil, alkylbenzene oil (small amount) as the refrigeration oil applied to the flared sections.
- Use C1220 copper phosphorus, for copper and copper alloy seamless pipes, to connect the refrigerant pipes. Use refrigerant pipes with the thicknesses specified in the table to the below. Make sure the insides of the pipes are clean and do not contain any harmful contaminants such as sulfuric compounds, oxidants, debris, or dust.

⚠ Warning:

When installing or relocating, or servicing the air conditioner, use only the specified refrigerant (R410A) to charge the refrigerant lines. Do not mix it with any other refrigerant and do not allow air to remain in the lines. If air is mixed with the refrigerant, then it can be the cause of abnormal high pressure in the refrigerant line, and may result in an explosion and other hazards.

The use of any refrigerant other than that specified for the system will cause mechanical failure or system malfunction or unit breakdown. In the worst case, this could lead to a serious impediment to securing product safety.

	A24, A30, A36
Liquid pipe	ø9.52 mm, 3/8 inch thickness 0.8 mm, 1/32 inch
Gas pipe	ø15.88 mm, 5/8 inch thickness 1.0 mm, 3/64 inch

- Do not use pipes thinner than those specified above.

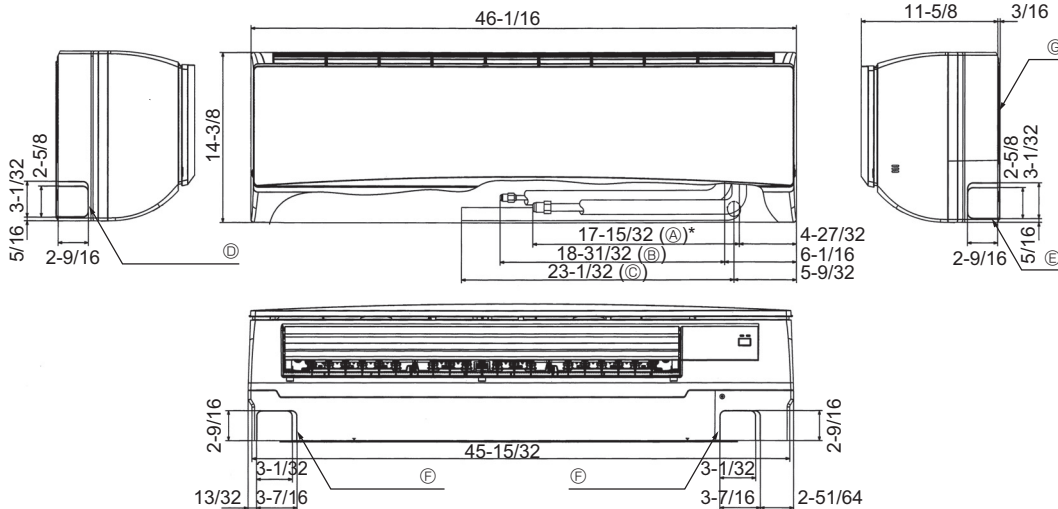


Fig. 4-2

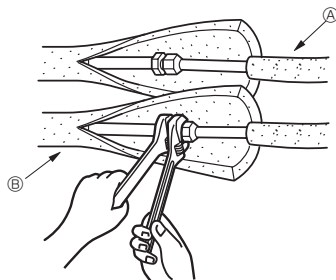


Fig. 4-3

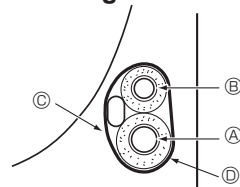


Fig. 4-4

4.2. Connecting pipes (Fig. 4-1)

- When commercially available copper pipes are used, wrap liquid and gas pipes with commercially available insulation materials (heat-resistant to 100 °C, 212 °F or more, thickness of 12 mm, 1/2 inch or more).
- The indoor parts of the drain pipe should be wrapped with polyethylene foam insulation materials (specific gravity of 0.03, thickness of 9 mm, 23/64 inch or more).
- Apply thin layer of refrigerant oil to pipe and joint seating surface before tightening flare nut.
- Use two wrenches to tighten piping connections.
- Use refrigerant piping insulation provided to insulate indoor unit connections. Insulate carefully.

Ⓐ Flare cutting dimensions

Copper pipe O.D. (mm, inch)	Flare dimensions øA dimensions (mm, inch)
ø9.52, 3/8"	12.8 - 13.2, 1/2-33/64
ø15.88, 5/8"	19.3 - 19.7, 49/64-25/32

Ⓑ Flare nut tightening torque

Copper pipe O.D. (mm, inch)	Flare nut O.D. (mm, inch)	Tightening torque (N·m, ft·lbs)
ø9.52, 3/8"	22, 7/8	34 - 42, 25-30
ø15.88, 5/8"	29, 1-9/64	68 - 82, 49-59

Ⓒ Apply refrigerating machine oil over the entire flare seat surface.

Ⓓ Use correct flare nuts meeting the pipe size of the outdoor unit.

4.3. Positioning refrigerant and drain piping (Fig. 4-2)

- Ⓐ Gas pipe * Indicates the condition with accessories mounted.
- Ⓑ Liquid pipe
- Ⓒ Drain hose
- Ⓓ Left-side piping knockout hole
- Ⓔ Right-side piping knockout hole
- Ⓕ Lower piping knockout hole
- Ⓖ Mount board Ⓢ

(inch)

4.4. Refrigerant piping (Fig. 4-3)

Indoor unit

1. Remove the flare nut and cap of the indoor unit.
2. Make a flare for the liquid pipe and gas pipe and apply refrigerating machine oil (available from your local supplier) to the flare sheet surface.
3. Quickly connect the on site cooling pipes to the unit.
4. Wrap the pipe cover that is attached to the gas pipe and make sure that the connection joint is not visible.
5. Wrap the pipe cover of the unit's liquid pipe and make sure that it covers the insulation material of the on site liquid pipe.
6. The portion where the insulation material is joined is sealed by taping.

Ⓐ Site-side refrigerant piping

Ⓑ Unit side refrigerant piping

4.4.1. Storing in the piping space of the unit (Fig. 4-4)

1. Wrap the supplied felt tape in the range of the refrigerant piping which will be housed within the piping space of the unit to prevent dripping.
2. Overlap the felt tape at one-half of the tape width.
3. Fasten the end portion of the wrapping with vinyl tape, etc.

Ⓐ Gas pipe

Ⓑ Liquid pipe

Ⓒ Indoor/outdoor connection cable

Ⓓ Felt tape Ⓢ

5. Drainage piping work

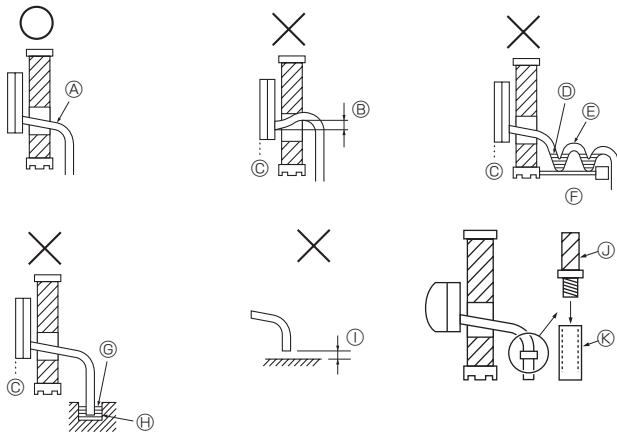


Fig. 5-1

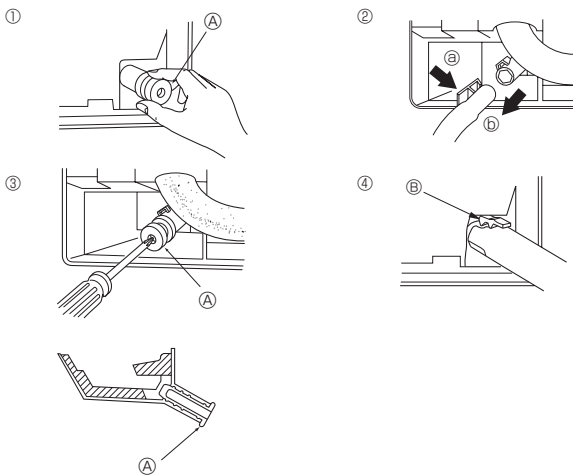


Fig. 5-2

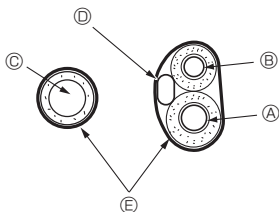


Fig. 5-3

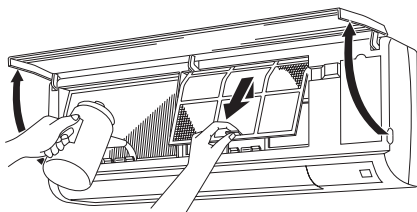


Fig. 5-4

5.1. Drainage piping work (Fig. 5-1)

- Drain pipes should have an inclination of 1/100 or more.
- For extension of the drain pipe, use a soft hose (inner dia. 15 mm, 19/32 inch) available on the market or hard vinyl chloride pipe (VP-16 mm, 5/8 inch/O.D. ø22 mm, ø55/64 inch PVC TUBE). Make sure that there is no water leakage from the connections.
- Do not put the drain piping directly in a drainage ditch where sulphuric gas may be generated.
- When piping has been completed, check that water flows from the end of the drain pipe.

⚠ Caution:

The drain pipe should be installed according to this Installation Manual to ensure correct drainage. Thermal insulation of the drain pipes is necessary to prevent condensation. If the drain pipes are not properly installed and insulated, condensation may drip on the ceiling, floor or other possessions.

- (A) Inclined downwards
- (B) Must be lower than outlet point
- (C) Water leakage
- (D) Trapped drainage
- (E) Air
- (F) Wavy
- (G) The end of drain pipe is under water.
- (H) Drainage ditch
- (I) 5 cm or less between the end of drain pipe and the ground.
- (J) Drain hose
- (K) Soft PVC hose (Inside diameter ø15 mm, 19/32 inch) or Hard PVC pipe (VP-16 mm, 5/8 inch)
* Bond with PVC type adhesive

Preparing left and left rear piping (Fig. 5-2)

- ① Remove the drain cap.
- Remove the drain cap by holding the bit that sticks out at the end of the pipe and pulling.
 - (A) Drain cap
- ② Remove the drain hose.
- Remove the drain hose by holding on to the base of the hose (a) (shown by arrow) and pulling towards yourself (b).
- ③ Insert the drain cap.
- Insert a screwdriver etc into the hole at the end of the pipe and be sure to push to the base of the drain cap.
- ④ Insert the drain hose.
- Push the drain hose until it is at the base of the drain box connection outlet.
- Please make sure the drain hose hook is fastened properly over the extruding drain box connection outlet.
 - (B) Hooks

◆ Storing in the piping space of the indoor unit (Fig. 5-3)

- * When the drain hose will be routed indoors, be sure to wrap it with commercially available insulation.
- * Gather the drain hose and the refrigerant piping together and wrap them with the supplied felt tape (E).
- * Overlap the felt tape (E) at one-half of the tape width.
- * Fasten the end portion of the wrapping with vinyl tape, etc.

- (A) Gas pipe
- (B) Liquid pipe
- (C) Drain hose
- (D) Indoor/outdoor connection wiring
- (E) Felt tape (E)

◆ Check of drainage (Fig. 5-4)

1. Open the front grille and remove the filter.
2. Facing the fins of the heat exchanger, slowly fill with water.
3. After the drainage check, attach the filter and close the grille.

6. Electrical work

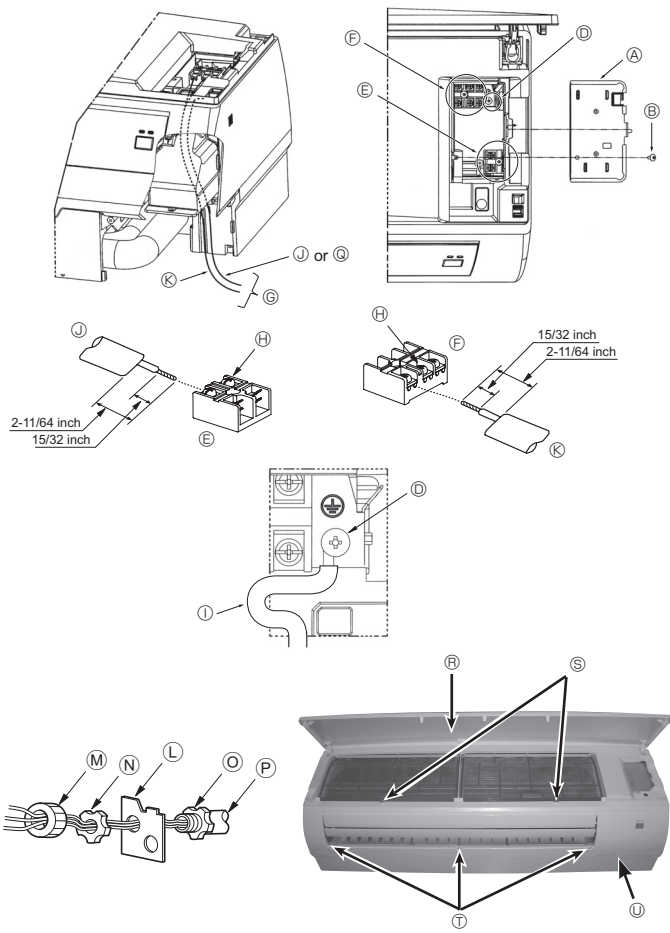


Fig. 6-1

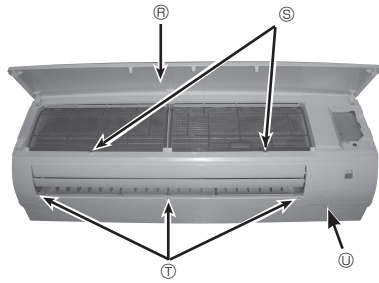


Fig. 6-2

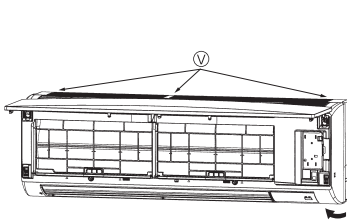


Fig. 6-3

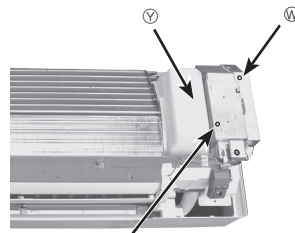


Fig. 6-4

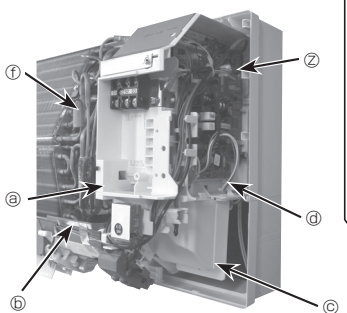


Fig. 6-5

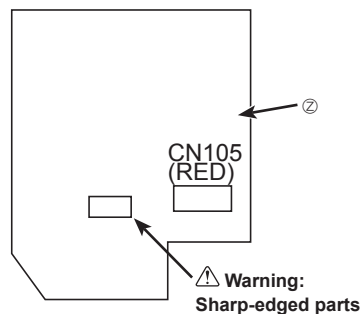


Fig. 6-6

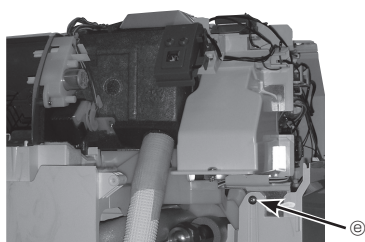


Fig. 6-7

(see the bottom)

6.1. Indoor unit (Fig. 6-1)

Connection can be made without removing the front panel.

1. Open the front grille, remove the screw (1 piece), and remove the electrical parts cover.
 2. Securely connect each wire to the terminal board.
- * In consideration of servicing, provide extra length for each of the wires.
* Take care when using strand wires, because beards may cause the wiring to short out.
3. Install the parts that were removed back to their original condition.

- Ⓐ Electrical box cover
- Ⓑ Fixing screw
- Ⓒ Ground wire connection portion
- Ⓓ Indoor/outdoor connection terminal board: S1, S2, and S3, have polarity
- Ⓔ Lead
- Ⓕ Terminal screw
- Ⓖ Ground wire: Connect the ground wire in the direction illustrated in the diagram.
- Ⓚ Indoor/outdoor connection cord
- Ⓛ Conduit plate
- Ⓜ Bush (purchased locally)
- Ⓝ Lock nut (purchased locally)
- Ⓟ Connector (purchased locally)
- Ⓠ Conduit (purchased locally)

Only for wired remote controller

- Ⓗ Wired remote control terminal board: 1 and 2, do not have polarity.
- Ⓖ Terminal screw
- Ⓙ Wired remote control cord

Only for radio frequency interface

- Ⓛ Radio frequency interface cord

■ For Radio frequency interface

- ① Press and unlock the knobs on both sides of the front grille and lift the front grille until it is level. Pull the hinges forward to remove the front grille. (Fig. 6-2)
- ② Remove 3 screw caps of the panel. Remove 5 screws. (Fig. 6-2)
- ③ Unfix 3 hooks. (Fig. 6-3)
- ④ Hold the lower part of both ends of the panel and pull it slightly toward you, and then remove the panel by pushing it upward.
- ⑤ Remove the front and side electrical box covers (each 1 screws). (Fig. 6-4)
- ⑥ Remove the water cut. (Fig. 6-4)
- ⑦ Remove the screw of the corner box. (Fig. 6-2)
Remove the corner box.
- ⑧ Remove the cable guide. (Fig. 6-5)
- ⑨ Remove the screw of the electrical box. (Fig. 6-7)
- ⑩ Remove the liquid pipe thermistor (TH2). (Fig. 6-5)
- ⑪ Tear off the tape partly of vane motor and loosen the cord. (Fig. 6-5)
- ⑫ Loosen the cord of the fan motor. (Fig. 6-5)
- ⑬ Pull out the electrical box toward you.
- ⑭ Connect the electrical cord of radio frequency interface securely to CN105 (RED) on indoor controller board. (Fig. 6-6)
- ⑮ Replace the removed parts.

- Ⓑ Front grille
- Ⓒ Screws
- Ⓓ Screws and screw caps
- Ⓔ Screw of the corner box
- Ⓕ Hooks
- Ⓖ Screw of electrical box cover (side)
- Ⓚ Screw of electrical box cover (Front)
- Ⓛ Water cut
- Ⓜ Indoor controller board (I.B)
- Ⓝ Electrical box
- Ⓓ Lead wire of vane motor
- Ⓒ Cable guide
- Ⓓ Lead wire of fan motor
- Ⓒ Screw of the electrical box
- Ⓖ Liquid pipe thermistor (TH2)

⚠ Warning:

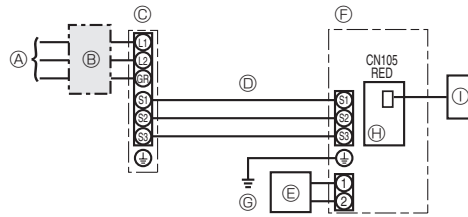
Be extremely careful not to cut your hands by Sharp-edged parts or end faces of the box.
There are some Sharp-edged parts on the indoor controller board.

6. Electrical work

6.1.1. Indoor unit power supplied from outdoor unit (A-control application)

The following connection patterns are available.
The outdoor unit power supply patterns vary on models.

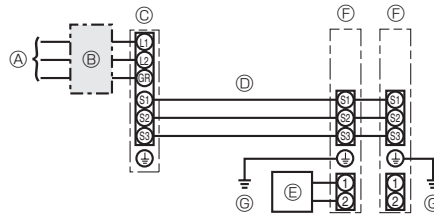
1:1 System



- Ⓐ Outdoor unit power supply
- Ⓑ Wiring circuit breaker or isolating switch
- Ⓒ Outdoor unit
- Ⓓ Indoor unit/outdoor unit connecting cords
- Ⓔ Wired remote controller
- Ⓕ Indoor unit
- Ⓖ Indoor unit earth
- Ⓗ Indoor controller board
- Ⓘ Radio frequency interface for RF thermostat

* Affix a label A that is included with the manuals near each wiring diagram for the indoor and outdoor units.

Simultaneous twin/triple/four system



- Ⓐ Outdoor unit power supply
- Ⓑ Wiring circuit breaker or isolating switch
- Ⓒ Outdoor unit
- Ⓓ Indoor unit/outdoor unit connecting cords
- Ⓔ Wired remote controller
- Ⓕ Indoor unit
- Ⓖ Indoor unit earth
- Only for wired remote controller.

* Affix a label A that is included with the manuals near each wiring diagram for the indoor and outdoor units.

Indoor unit model	PKA-A-KA6		
Minimum circuit ampacity	1A		
Maximum rating of overcurrent protective device	15A		
Wiring Wire No. x size	Indoor unit-Outdoor unit	*1	3 × AWG16 (Polar)
	Indoor unit earth		1 × Min. AWG16
Circuit rating	Wired remote controller-Indoor unit	*2	2 × AWG22, unshielded
	Indoor unit-Outdoor unit S1-S2	*3	208/230 V AC
	Indoor unit-Outdoor unit S2-S3	*3	24 V DC
	Wired remote controller-Indoor unit	*3	12 V DC

*1. Max. 50 m, 165 ft

*2. The 3 m, 10 ft wire is attached in the wired remote controller accessory. Max. 500 m, 1640 ft <Only for PKA-A-KA6>

*3. The figures are NOT always against the ground.

S3 terminal has 24 V DC against S2 terminal. However between S3 and S1, these terminals are not electrically insulated by the transformer or other device.

- Notes:**
1. Wiring size must comply with the applicable local and national code.
 2. Use copper supply wires.
 3. Use wires rated 300V or more for the power supply cords and the indoor unit/outdoor unit connecting cords.
 4. Install an earth longer than other cords.

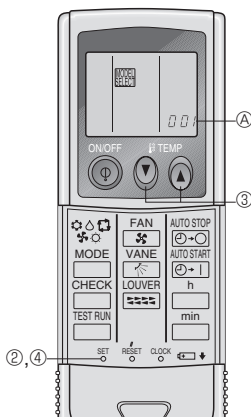


Fig. 6-8

6.2. Remote controller

6.2.1. For wired remote controller

1) Two remote controllers setting

If two remote controllers are connected, set one to "Main" and the other to "Sub".
For setting procedures, refer to "Function selection of remote controller" in the operation manual for the indoor unit.

6.2.2. For IR wireless remote controller

1) Setting (Fig. 6-8)

- ① Insert batteries.
- ② Press the SET button with something sharp at the end.
The display blinks and Model No. is lighted.
- ③ Press the temp button to set the Model No.
- ④ Press the SET button with something sharp at the end.
The display and Model No. are lighted for three seconds, then turned off.

PKA (A24, A30, A36)	heat pump models	002
	cooling only models	034

6. Electrical work

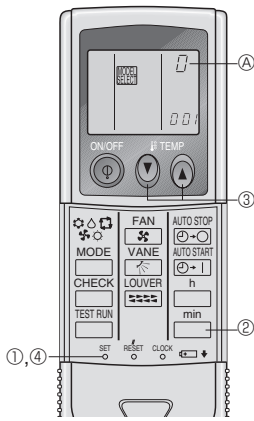


Fig. 6-9

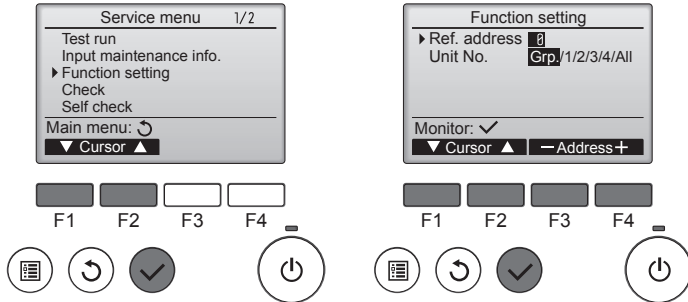


Fig. 6-10

Fig. 6-11

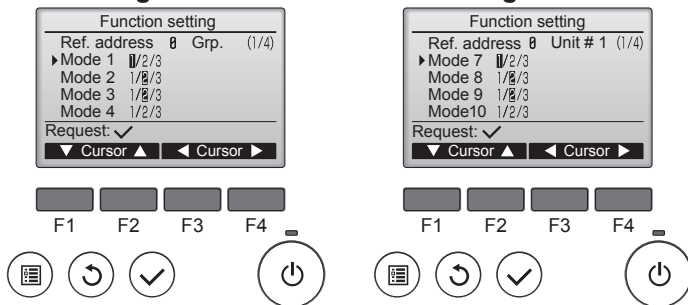


Fig. 6-12

Fig. 6-13

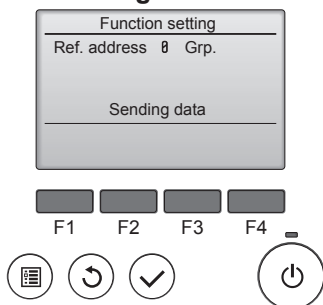


Fig. 6-14

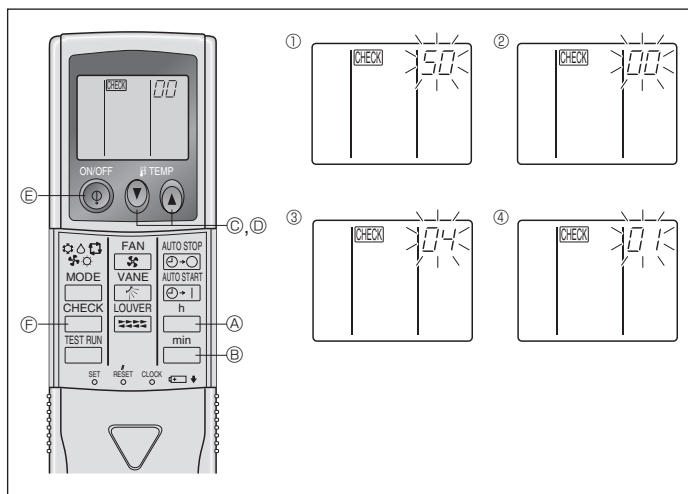


Fig. 6-15

2) Assigning a IR wireless remote controller to each unit

Each unit can be operated only by the assigned IR wireless remote controller. Make sure each pair of an indoor unit PC board and a IR wireless remote controller is assigned to the same pair No.

3) IR wireless remote controller pair number setting operation (Fig. 6-9)

- ① Press the SET button with something sharp at the end.
Start this operation from the status of IR wireless remote controller display turned off. [CHECK] blinks and Model No. is lighted.
- ② Press the \square min button twice continuously.
Pair No. "0" blinks.
- ③ Press the temp \updownarrow button to set the pair number you want to set.
- ④ Press the SET button with something sharp at the end.
Set pair number is lighted for three seconds then turned off.

Pair No. of IR wireless remote controller	Indoor PC board
0	Factory setting
1	Cut J41
2	Cut J42
3-9	Cut J41, J42

6.3. Function settings

6.3.1. Function setting on the unit (Selecting the unit functions)

1) For wired remote controller

- ① (Fig. 6-10)
 - Select "Service" from the Main menu, and press the [SELECT] button.
 - Select "Function settings" with the [F1] or [F2] button, and press the [SELECT] button.
- ② (Fig. 6-11)
 - Set the indoor unit refrigerant addresses and unit numbers with the [F1] through [F4] buttons, and then press the [SELECT] button to confirm the current setting.

<Checking the Indoor unit No.>
When the [SELECT] button is pressed, the target indoor unit will start fan operation. If the unit is common or when running all units, all indoor units for the selected refrigerant address will start fan operation.

- ③ (Fig. 6-12)
 - When data collection from the indoor units is completed, the current settings appears highlighted. Non-highlighted items indicate that no function settings are made. Screen appearance varies depending on the "Unit No." setting.
- ④ (Fig. 6-13)
 - Use the [F1] or [F2] button to move the cursor to select the mode number, and change the setting number with the [F3] or [F4] button.
- ⑤ (Fig. 6-14)
 - When the settings are completed, press the [SELECT] button to send the setting data from the remote controller to the indoor units.
 - When the transmission is successfully completed, the screen will return to the Function setting screen.

2) For IR wireless remote controller (Fig. 6-15)

Changing the power voltage setting

- Be sure to change the power voltage setting depending on the voltage used.

① Go to the function select mode

Press the \square CHECK button ② twice continuously.

(Start this operation from the status of IR wireless remote controller display turned off.) [CHECK] is lighted and "00" blinks.

Press the temp \updownarrow button ③ once to set "50". Direct the IR wireless remote controller toward the receiver of the indoor unit and press the \square h button ④.

② Setting the unit number

Press the temp \updownarrow button ③ and ⑤ to set the unit number "00". Direct the IR wireless remote controller toward the receiver of the indoor unit and press the \square min button ⑥.

③ Selecting a mode

Enter 04 to change the power voltage setting using the \updownarrow ③ and \updownarrow ⑤ buttons. Direct the IR wireless remote controller toward the receiver of the indoor unit and press the \square h button ④.

Current setting number:
 1 = 1 beep (one second)
 2 = 2 beeps (one second each)
 3 = 3 beeps (one second each)

④ Selecting the setting number

Use the \updownarrow ③ and \updownarrow ⑤ buttons to change the power voltage setting to 01 (230 V). Direct the IR wireless remote controller toward the sensor of the indoor unit and press the \square h button ④.

⑤ To select multiple functions continuously

Repeat steps ③ and ④ to change multiple function settings continuously.

⑥ Complete function selection

Direct the IR wireless remote controller toward the sensor of the indoor unit and press the \square button ⑥.

Note:

Whenever changes are made to the function settings after installation or maintenance, be sure to record the changes with a mark in the "Setting" column of the Function table.

6.3.2 Function setting on the remote controller

For details on how to operate the remote controller, refer to the appropriate operation manual included with each remote controller.

6. Electrical work

Function table

Select unit number 00

Mode	Settings	Mode No.	Setting no.	Initial setting	setting
		Wired remote controller (RF thermostat)			
Power failure automatic recovery	Not available	01	1		
	Available *1	(101)	2	○	
Indoor temperature detecting	Indoor unit operating average	02 (-)	1	○	
	Set by indoor unit's remote controller		2		
	Wired remote controller's internal sensor		3		
LOSSNAY connectivity	Not Supported	03 (103)	1	○	
	Supported (indoor unit is not equipped with outdoor-air intake)		2		
	Supported (indoor unit is equipped with outdoor-air intake)		3		
Power voltage	230 V	04 (104)	1	○	
	208 V		2		

Select unit numbers 01 to 03 or all units (AL [wired remote controller]/07 [wireless remote controller])

Mode	Settings	Mode No.	Setting no.	Initial setting	setting
		Wired remote controller (RF thermostat)			
Filter sign	100Hr	07 (107)	1	○	
	2500Hr		2		
	No filter sign indicator		3		
Fan speed	Silent	08 (108)	1	-	
	Standard		2	○	
	High ceiling		3	-	

*1 When the power supply returns, the air conditioner will start 3 minutes later.

7. Test run

7.1. Before test run

- ▶ After completing installation and the wiring and piping of the indoor and outdoor units, check for refrigerant leakage, looseness in the power supply or control wiring, wrong polarity, and no disconnection of one phase in the supply.
- ▶ Use a 500-volt megohmmeter to check that the resistance between the power supply terminals and ground is at least 1.0 MΩ.

▶ Do not carry out this test on the control wiring (low voltage circuit) terminals.

⚠ Warning:

Do not use the air conditioner if the insulation resistance is less than 1.0 MΩ. Insulation resistance.

7.2. Test run

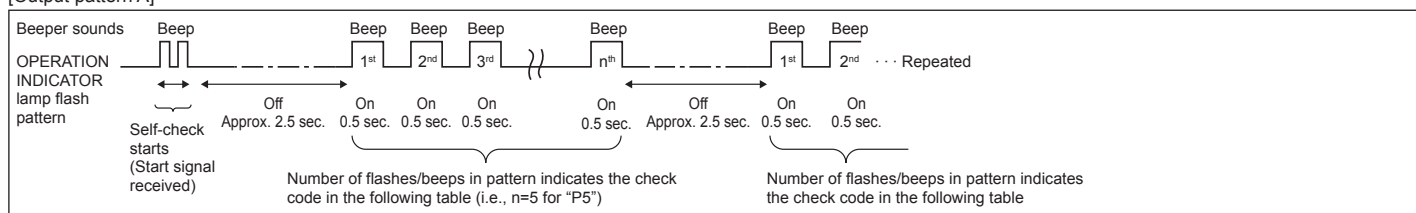
- Refer to the installation manual that comes with each remote controller for details.

7.3. Self-check

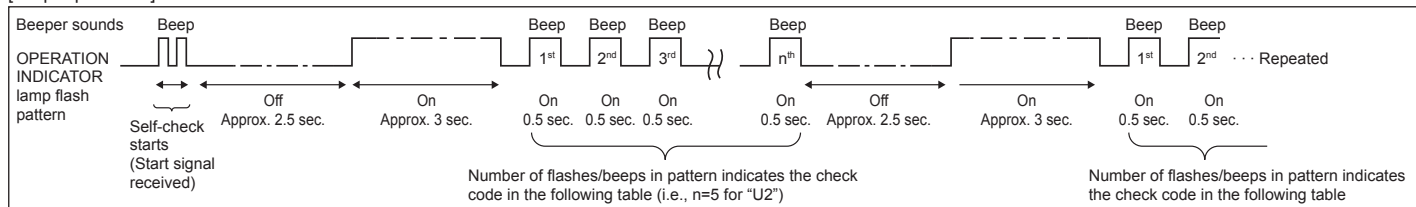
- Refer to the installation manual that comes with each remote controller for details.
- RF thermostat is not established.

• Refer to the following tables for details on the check codes. (IR wireless remote controller)

[Output pattern A]



[Output pattern B]



7. Test run

[Output pattern A] Errors detected by indoor unit

IR wireless remote controller	Wired remote controller RF thermostat	Symptom	Remark
Beeper sounds/OPERATION INDICATOR lamp flashes Check code (Number of times)	Check code		
1	P1	Intake sensor error	
2	P2, P9	Pipe (Liquid or 2-phase pipe) sensor error	
3	E6, E7	Indoor/outdoor unit communication error	
4	P4	Float switch connector CN4F open.	
5	P5	Drain pump error	
	PA	Forced compressor error	
6	P6	Freezing/Overheating safeguard operation	
7	EE	Communication error between indoor and outdoor units	
8	P8	Pipe temperature error	
9	E4	Remote controller signal receiving error	
10	–	–	
11	–	–	
12	Fb	Indoor unit control system error (memory error, etc.)	
14	PL	Refrigerant circuit abnormal	
No sound	– – – –	No corresponding	

[Output pattern B] Errors detected by unit other than indoor unit (outdoor unit, etc.)

IR wireless remote controller	Wired remote controller RF thermostat	Symptom	Remark
Beeper sounds/OPERATION INDICATOR lamp flashes (Number of times)	Check code		
1	E9	Indoor/outdoor unit communication error (Transmitting error) (Outdoor unit)	For details, check the LED display of the outdoor controller board.
2	UP	Compressor overcurrent interruption	
3	U3, U4	Open/short of outdoor unit thermistors	
4	UF	Compressor overcurrent interruption (When compressor locked)	
5	U2	Abnormal high discharging temperature/49C worked/insufficient refrigerant	
6	U1, Ud	Abnormal high pressure (63H worked)/Overheating safeguard operation	
7	U5	Abnormal temperature of heat sink	
8	U8	Outdoor unit fan safeguard stop	
9	U6	Compressor overcurrent interruption/Abnormal of power module	
10	U7	Abnormality of super heat due to low discharge temperature	
11	U9, UH	Abnormality such as overvoltage or voltage shortage and abnormal synchronous signal to main circuit/Current sensor error	
12	–	–	
13	–	–	
14	Others	Other errors (Refer to the technical manual for the outdoor unit.)	

*1 If the beeper does not sound again after the initial two beeps to confirm the self-check start signal was received and the OPERATION INDICATOR lamp does not come on, there are no error records.

*2 If the beeper sounds three times continuously "beep, beep, beep (0.4 + 0.4 + 0.4 sec.)" after the initial two beeps to confirm the self-check start signal was received, the specified refrigerant address is incorrect.

- On IR wireless remote controller
The continuous buzzer sounds from receiving section of indoor unit.
Blink of operation lamp
- On wired remote controller
Check code displayed in the LCD.
- If the unit cannot be operated properly after the above test run has been performed, refer to the following table to remove the cause.

Symptom		Cause
Wired remote controller	LED 1, 2 (PCB in outdoor unit)	
PLEASE WAIT	For about 2 minutes following power-on	After LED 1, 2 are lighted, LED 2 is turned off, then only LED 1 is lighted. (Correct operation)
PLEASE WAIT → Error code	After about 2 minutes has expired following power-on	Only LED 1 is lighted. → LED 1, 2 blink.
Display messages do not appear even when operation switch is turned ON (operation lamp does not light up).		Only LED 1 is lighted. → LED 1 blinks twice, LED 2 blinks once.

On the IR wireless remote controller with condition above, following phenomena takes place.

- No signals from the remote controller are accepted.
- OPE lamp is blinking.
- The buzzer makes a short piping sound.

Note:

Operation is not possible for about 30 seconds after cancellation of function selection. (Correct operation)

For description of each LED (LED 1, 2, 3) provided on the indoor controller, refer to the following table.

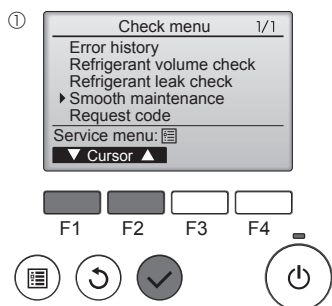
LED 1 (power for microcomputer)	Indicates whether control power is supplied. Make sure that this LED is always lit.
LED 2 (power for remote controller)	Indicates whether power is supplied to the remote controller. This LED lights only in the case of the indoor unit which is connected to the outdoor unit refrigerant address "0".
LED 3 (communication between indoor and outdoor units only A-control)	Indicates state of communication between the indoor and outdoor units. Make sure that this LED is always blinking.

8. Easy maintenance function

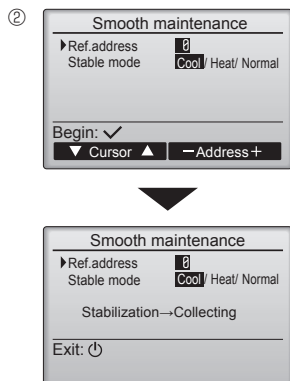
Maintenance data, such as the indoor/outdoor unit's heat exchanger temperature and compressor operation current can be displayed with "Smooth maintenance".

* This cannot be executed during test operation.

* Depending on the combination with the outdoor unit, this may not be supported by some models.

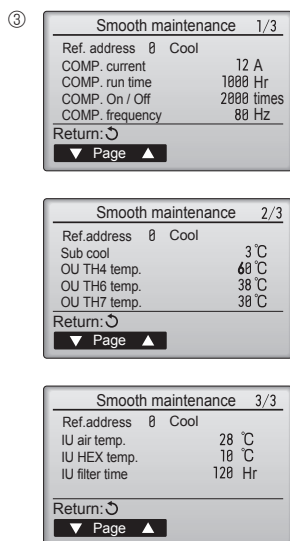


- Select "Service" from the Main menu, and press the [SELECT] button.
- Select "Check" with the [F1] or [F2] button, and press the [SELECT] button.
- Select "Smooth maintenance" with the [F1] or [F2] button, and press the [SELECT] button.



Select each item.

- Select the item to be changed with the [F1] or [F2] button.
- Select the required setting with the [F3] or [F4] button.
 "Ref. address" setting "0" - "15"
 "Stable mode" setting..... "Cool" / "Heat" / "Normal"
- Press the [SELECT] button, fixed operation will start.
- * Stable mode will take approx. 20 minutes.



The operation data will appear.

The Compressor-Accumulated operating (COMP. run) time is 10-hour unit, and the Compressor-Number of operation times (COMP. On/Off) is a 100-time unit (fractions discarded)

Navigating through the screens

- To go back to the Main menu[MENU] button
- To return to the previous screen [RETURN] button

Table des matières

1. Consignes de sécurité.....	15	5. Mise en place du tuyau d'écoulement.....	21
2. Emplacement pour l'installation.....	16	6. Installations électriques.....	22
3. Installation de l'appareil intérieur.....	16	7. Marche d'essai.....	25
4. Installation de la tuyauterie du réfrigérant.....	20	8. Fonction d'entretien aisé.....	27

1. Consignes de sécurité

- ▶ Avant d'installer le climatiseur, lire attentivement toutes les "Consignes de sécurité".
- ▶ Consulter votre compagnie d'électricité ou obtenir son aval avant de relier cet appareil à l'alimentation.

⚠ Avertissement :

Précautions à suivre pour éviter tout danger de blessure ou de décès de l'utilisateur.

⚠ Précaution :

Décrit les précautions qui doivent être prises pour éviter d'endommager l'appareil.

⚠ Avertissement :

- Contacter un revendeur ou un technicien agréé pour installer l'appareil.
- Pour l'installation, respecter les instructions du manuel d'installation et utiliser des outils et des composants de tuyau spécialement conçus pour une utilisation avec le réfrigérant.
- L'appareil doit être installé conformément aux instructions pour réduire les risques de dommages liés à des tremblements de terre, des typhons ou des vents violents. Une installation incorrecte peut entraîner la chute de l'appareil et provoquer des dommages ou des blessures.
- L'appareil doit être solidement installé sur une structure pouvant supporter son poids.
- Si le climatiseur est installé dans une petite pièce, certaines mesures doivent être prises pour éviter que la concentration de réfrigérant ne dépasse le seuil de sécurité en cas de fuite. En cas de fuite de réfrigérant et de dépassement du seuil de concentration, des risques liés au manque d'oxygène dans la pièce peuvent survenir.
- Aérer la pièce en cas de fuite de réfrigérant lors de l'utilisation. Le contact du réfrigérant avec une flamme peut provoquer des émanations de gaz toxiques.
- Toutes les installations électriques doivent être effectuées par un technicien qualifié conformément aux réglementations locales et aux instructions fournies dans ce manuel.

Une fois l'installation terminée, expliquer les "Consignes de sécurité", l'utilisation et l'entretien de l'appareil au client conformément aux informations du mode d'emploi et effectuer l'essai de fonctionnement en continu pour garantir un fonctionnement normal. Le manuel d'installation et le mode d'emploi doivent être fournis à l'utilisateur qui doit les conserver. Ces manuels doivent également être transmis aux nouveaux utilisateurs.

⚡ : Indique un élément qui doit être mis à la terre.

⚠ Avertissement :

Prendre soin de lire les étiquettes se trouvant sur l'appareil principal.

- N'utiliser que les câbles spécifiés pour les raccordements.
- Le couvercle du bloc de sortie de l'appareil doit être solidement fixé.
- N'utiliser que les accessoires agréés par Mitsubishi Electric et contacter un revendeur ou un technicien agréé pour les installer.
- L'utilisateur ne doit jamais essayer de réparer ou de déplacer l'appareil.
- Une fois l'installation terminée, vérifier les éventuelles fuites de réfrigérant. Si le réfrigérant fuit dans la pièce et entre en contact avec la flamme d'un chauffage ou d'une cuisinière, des gaz toxiques peuvent se dégager.
- Lors de l'installation, du déplacement ou de l'entretien du climatiseur, n'utilisez que le réfrigérant spécifié (R410A) pour remplir les tuyaux de réfrigérant. Ne pas le mélanger avec un autre réfrigérant et faire le vide d'air dans les tuyaux. Si du réfrigérant est mélangé avec de l'air, cela peut provoquer des pointes de pression dans les tuyaux de réfrigérant et entraîner une explosion et d'autres risques.

L'utilisation d'un réfrigérant différent de celui spécifié pour le climatiseur peut entraîner des défaillances mécaniques, des dysfonctionnements du système ou une panne de l'appareil. Dans le pire des cas, cela peut entraîner un obstacle à la mise en sécurité du produit.

1.1. Avant l'installation (Environnement)

⚠ Précaution :

- Ne pas utiliser l'appareil dans un environnement inhabituel. Si le climatiseur est installé dans des endroits exposés à la vapeur, à l'huile volatile (notamment l'huile de machine), au gaz sulfurique, à une forte teneur en sel, par exemple, à la mer, les performances peuvent considérablement diminuer et les pièces internes de l'appareil être endommagées.
- Ne pas installer l'appareil dans des endroits où des gaz de combustion peuvent s'échapper, se dégager ou s'accumuler. L'accumulation de gaz de combustion autour de l'appareil peut provoquer un incendie ou une explosion.
- Ne pas laisser de nourriture, de plantes, d'animaux en cage, d'œuvres d'art ou d'instruments de précision dans le flux d'air direct de l'appareil intérieur du fait des changements de température ou du suintement de l'eau.

- Lorsque l'humidité de la pièce dépasse 80 % ou lorsque le tuyau d'écoulement est colmaté, l'eau peut suinter de l'appareil intérieur. Ne pas installer l'appareil intérieur lorsqu'un tel suintement peut entraîner des dommages.
- Lors de l'installation de l'appareil dans un hôpital ou un centre de communications, se préparer au bruit et aux interférences électroniques. Les inverseurs, les appareils électroménagers, les équipements médicaux haute fréquence et de communications radio peuvent provoquer un dysfonctionnement ou une défaillance du climatiseur. Le climatiseur peut également endommager les équipements médicaux et de communications, perturbant ainsi les soins et réduisant la qualité d'affichage des écrans.

1.2. Avant l'installation ou le déplacement

⚠ Précaution :

- Transporter les appareils avec précaution. L'appareil doit être transporté par deux personnes ou plus, car il pèse 20 kg, 44lbs minimum. Ne pas tirer les rubans d'emballage. Porter des gants pour ne pas vous blesser sur les ailettes ou d'autres pièces.
- Veiller à éliminer le matériel d'emballage en toute sécurité. Le matériel d'emballage (clous et autres pièces en métal ou en bois) peut provoquer des blessures.
- L'isolation thermique du tuyau de réfrigérant est nécessaire pour éviter la condensation. Une isolation correcte du tuyau de réfrigérant est requise pour éviter la formation de condensation.

- Monter l'isolation thermique sur les tuyaux pour éviter la condensation. Si le tuyau d'écoulement n'est pas posé correctement, des fuites d'eau et une détérioration du plafond, du sol, des meubles et autres biens peut en découler.
- Ne pas nettoyer le climatiseur à l'eau au risque de provoquer un choc électrique. Il pourrait en résulter un choc électrique.
- Serrer les écrous évasés, conformément aux spécifications, à l'aide d'une clé dynamométrique. Si les écrous sont trop serrés, ils peuvent se casser après un certain temps.

1.3. Avant l'installation électrique

⚠ Précaution :

- Veiller à installer des disjoncteurs à boîtier moulé. Dans le cas contraire, un choc électrique peut se produire.
- Pour les lignes électriques, utiliser des câbles standard de capacité suffisante. Dans le cas contraire, un court-circuit, une surchauffe ou un incendie peut se produire.
- Lors de l'installation des lignes électriques, ne pas mettre les câbles sous tension.

- Veiller à mettre l'appareil à la terre. Une mise à la terre incorrecte de l'appareil peut provoquer un choc électrique.
- Utiliser des disjoncteurs (disjoncteur de fuite à la terre, interrupteur d'isolement (fusible +B) et disjoncteur à boîtier moulé) à la capacité spécifiée. Si la capacité du disjoncteur est supérieure à celle spécifiée, une défaillance ou un incendie peut se produire.

1.4. Avant la marche d'essai

⚠ Précaution :

- Activer l'interrupteur principal au moins 12 heures avant la mise en fonctionnement de l'appareil. L'utilisation de l'appareil juste après sa mise sous tension peut endommager sérieusement les pièces internes.
- Avant d'utiliser l'appareil, vérifier que tous les panneaux, toutes les protections et les autres pièces de sécurité sont correctement installés. Les pièces tournantes, chaudes ou à haute tension peuvent provoquer des blessures.
- Ne pas utiliser le conditionneur d'air si le filtre à air n'est pas installé. Si le filtre à air n'est pas installé, de la poussière peut s'accumuler et entraîner une panne.

- Ne pas toucher les interrupteurs les mains humides. Il pourrait en résulter un choc électrique.
- Ne pas toucher les tuyaux de réfrigérant les mains nues lors de l'utilisation.
- À la fin de l'utilisation de l'appareil, attendre au moins cinq minutes avant de désactiver l'interrupteur principal. Dans le cas contraire, une fuite d'eau ou une défaillance peut se produire.

2. Emplacement pour l'installation

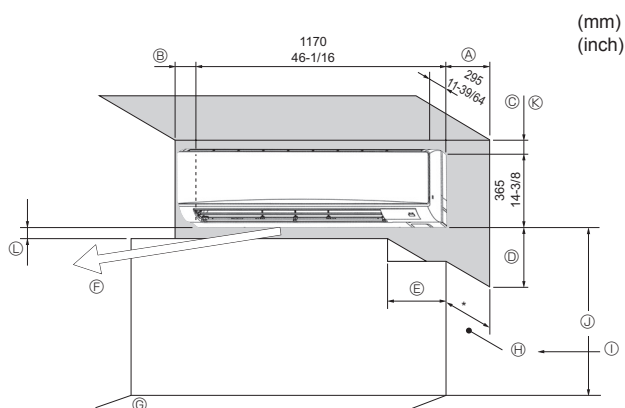


Fig. 2-1

2.1. Dimensions externes (Appareil intérieur) (Fig. 2-1)

Choisir un emplacement approprié en prenant compte des espaces suivants pour l'installation et l'entretien.

A	B	C	D	E
Min. 100,5	Min. 52,3	Min. 48	Min. 250	Min. 220
Min. 3-31/32	Min. 2-1/16	Min. 1-7/8	Min. 9-27/32	Min. 8-21/32

- Ⓕ Sortie d'air : ne placez aucun obstacle à moins de 1 500 mm, 59-1/16 inch de la sortie d'air ou de la tuyauterie gauche.
- Ⓖ Surface du sol
- Ⓗ Garniture
- Ⓘ Lorsqu'une traverse dépasse du mur de plus de 60 mm, une distance supplémentaire de 2-23/64 inch est nécessaire car le flux d'air du ventilateur peut créer un cycle court.
- Ⓙ 1800 mm, 70-7/8 inch minimum de la surface du sol (pour montage en hauteur)
- Ⓚ 108 mm, 4-1/4 inch minimum avec tuyauterie gauche ou arrière gauche.
- Ⓛ Minimum 7 mm, 9/32 inch.

Remarque : (Pour l'interface radiofréquence)

- Connecter le cordon de l'interface radiofréquence au panneau du contrôleur intérieur avant de fixer l'unité interne au mur.
- Se reporter à la p. 22 pour plus de détails sur l'installation de l'interface radiofréquence.

3. Installation de l'appareil intérieur

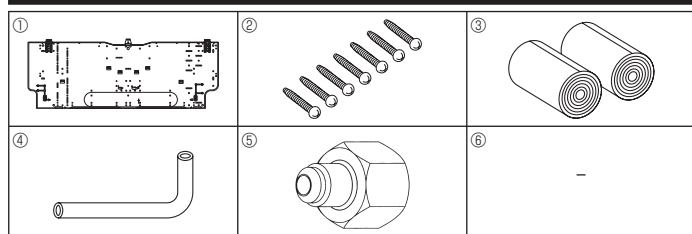


Fig. 3-1

3.1. Vérifier les accessoires qui accompagnent l'appareil intérieur (Fig. 3-1)

L'appareil intérieur doit être livré avec les accessoires suivants:

RÉFÉRENCE	ACCESSOIRE	QUANTITÉ	EMPLACEMENT DES RÉGLAGES
①	Planche d'installation	1	Fixer à l'arrière de l'appareil
②	Vis autotaraudeuses 4 x 25	7	
③	Bande de feutre	2	
④	Raccord en L	1	
⑤	Écrou de charge	1	Utiliser le matériel d'emballage
⑥	Entretoise	1	

3.2. Installation de la structure de montage mural

3.2.1. Installation de la structure de montage mural et mise en place des tuyaux (Fig. 3-2)

► A l'aide de la structure de montage mural, déterminer l'emplacement d'installation de l'appareil et le lieu de forage des orifices pour les tuyaux.

⚠ **Avertissement:**

Avant de forer un trou dans le mur, veuillez demander l'autorisation au responsable de l'édifice.

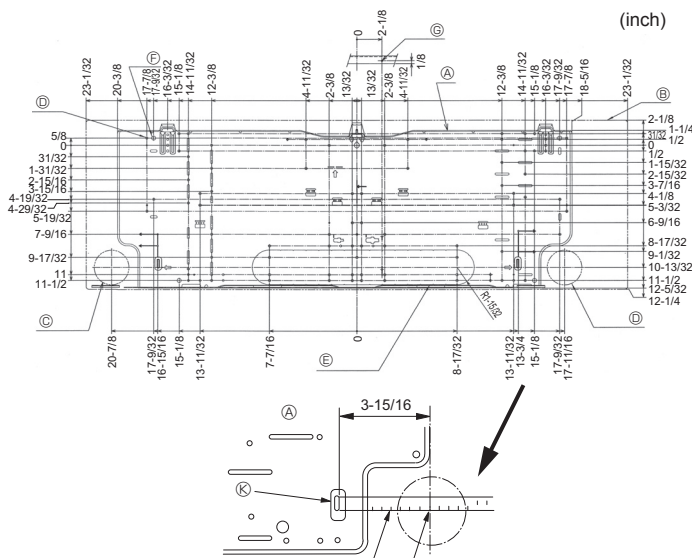


Fig. 3-2

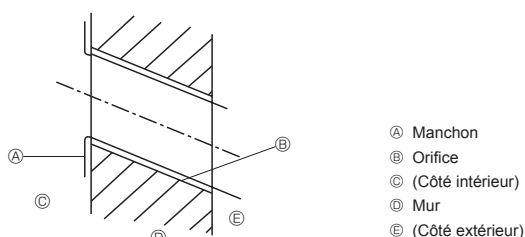


Fig. 3-3

3.2.2. Forage de l'orifice des tuyaux (Fig. 3-3)

- Utiliser une foreuse à témoins pour forer un orifice de pénétration dans le mur de 75 à 80 mm, 2-61/64~3-5/32 inch de diamètre, aligné sur la direction du tuyau, à l'endroit indiqué sur le diagramme à gauche.
- L'orifice de pénétration dans le mur doit être incliné de telle sorte que l'ouverture extérieure soit plus basse que l'ouverture intérieure.
- Insérer un manchon (de 75 mm, 2-61/64 inch de diamètre - non fourni) dans l'orifice.

Remarque:

L'orifice de pénétration doit être incliné afin d'augmenter le débit.

3. Installation de l'appareil intérieur

3.2.3. Installation du support de montage mural (Fig. 3-4)

- ▶ L'appareil extérieur pesant près de 21 kg, 46,3lbs, choisir l'emplacement de montage en tenant bien compte de ce fait. Si le mur ne semble pas être assez résistant, le renforcer avec des planches ou des poutres avant d'installer l'appareil.
- ▶ La structure de montage doit être attachée à ses deux extrémités et au centre, si possible. Ne jamais la fixer à un seul endroit ou de manière asymétrique. (Si possible, attacher la structure à tous les points indiqués par une flèche en caractères gras.)

⚠ Avertissement:

Si possible, attacher la structure à tous les points marqués d'une flèche en caractères gras.

⚠ Précaution:

- Le corps de l'appareil doit être monté à l'horizontale.
- Le fixer aux orifices marqués d'un ▲.

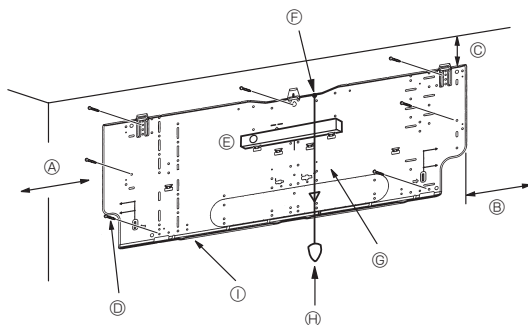


Fig. 3-4

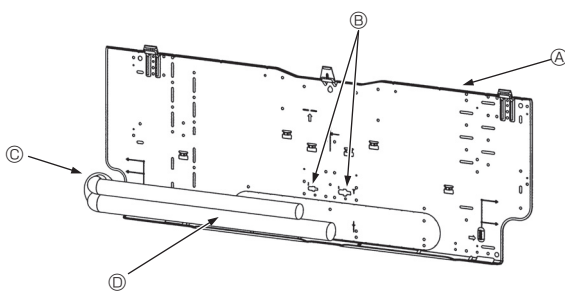


Fig. 3-5

▲ Min. 120 mm, 4-11/16 inch

▲ Min. 220 mm, 8-11/16 inch

▲ Min. 70 mm, 2-3/4 inch

▲ Vis de fixation (4 × 25) ②

▲ Niveau

▲ Serrer le filetage sur l'orifice.

▲ Placer le niveau contre la ligne de référence horizontale de la planche d'installation et monter à niveau. Maintenir le filetage et aligner avec ▼ EPK de la planche d'installation pour mettre à niveau.

▲ Poids

▲ Planche d'installation ①

3.3. Lors de l'insertion des tuyaux dans le mur (Fig. 3-5)

- Les tuyaux sont sur la partie inférieure gauche.
- Lorsque le tuyau de refroidissement, les tuyaux d'écoulement, les lignes de connexion internes/externes, etc. doivent être insérés dans le mur à l'avance, les tuyaux de perçage, etc., doivent être coulés et leur longueur adaptée à l'appareil.
- Marquer la planche d'installation pour référence lors de l'ajustement de la longueur du tuyau de refroidissement encastré.
- Pendant la construction, donner du jeu à la longueur des tuyaux de perçage.

▲ Planche d'installation ①

▲ Marquage de référence des raccords évasés

▲ Orifice passant

▲ Tuyauterie sur site

3.4. Préparation de l'appareil intérieur

* Contrôle préalable requis car le travail préparatoire dépend du sens de sortie de la tuyauterie.

* Lors du coupage de la tuyauterie, coupez graduellement tout en maintenant la sortie du tuyau à sa base. (Un coupage trop brutal déformera la tuyauterie.)

* Ne pas installer de tuyauterie à droite.

Fixation du raccord en L ④

Tuyauterie gauche et arrière (Fig. 3-6)

1. Retirer l'écrou évasé et le capuchon de l'appareil intérieur. (Conduit de gaz uniquement)
2. Appliquer de l'huile réfrigérante sur la surface évasée de la feuille. (Préparation sur place)
3. Dans le sens du retrait du raccord en L ④, faire un raccord rapide à l'ouverture évasée de l'appareil intérieur.
4. Serrer l'écrou évasé à l'aide d'une clé à fourche double. (Fig. 3-9)
Force de serrage : 68 à 82 N•m, 49~59ft lbs
5. Fixer l'écrou de charge ⑤ sur le joint coté conduit de liquide et vérifier les fuites au niveau du raccord en L ④.
Retirer l'écrou de charge ⑤ une fois le travail terminé.
Force de serrage : 34 à 42 N•m, 25~30ft lbs
6. Couvrir la partie évasée du raccord avec le cache-tuyaux du raccord en L ④ pour qu'il ne soit pas exposé. (Fig. 3-10)

▲ Raccord en L ④

▲ Position de découpe (partie droite du tuyau)

▲ Sens de serrage

▲ Couvrir avec le cache-tuyaux

▲ Couvrir la partie écrou évasée avec le cache-tuyaux.

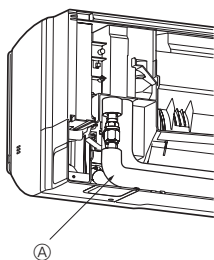


Fig. 3-6

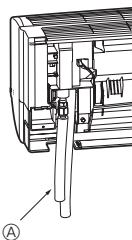


Fig. 3-7



Fig. 3-8

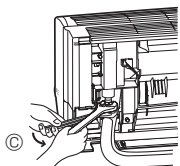


Fig. 3-9

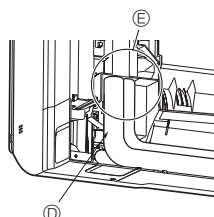


Fig. 3-10

Tuyau inférieur (Fig. 3-7)

1. Couper le raccord en L ④ à l'emplacement indiqué (Fig. 3-8).

2. Insérer l'écrou évasé retiré précédemment sur la partie droite du raccord en L ④ et évaser l'extrémité du tuyau.

3. Retirer l'écrou évasé et le capuchon de l'appareil intérieur. (Conduit de gaz uniquement)

4. Appliquer de l'huile réfrigérante sur la surface évasée de la feuille. (Préparation sur place)

5. Raccorder rapidement le raccord en L ④ traité en 2) à l'ouverture évasée de l'appareil intérieur.

6. Serrer l'écrou évasé à l'aide d'une clé à fourche double. (Fig. 3-9)

Force de serrage : 68 à 82 N•m, 49~59ft lbs

7. Fixer l'écrou de charge ⑤ sur le joint coté conduit de liquide et vérifier les fuites au niveau du raccord en L ④.

Retirer l'écrou de charge ⑤ une fois le travail terminé.

Force de serrage : 34 à 42 N•m, 25~30ft lbs

8. Couvrir la partie évasée du raccord avec le cache-tuyaux du raccord en L ④ pour qu'il ne soit pas exposé. (Fig. 3-10)

3. Installation de l'appareil intérieur

Vérification des fuites du raccord en L

1. Fixer l'écrou de charge ⑤ sur le joint coté conduit de liquide.
Force de serrage : 34 à 42 N•m, 25~30ft lbs
2. Pressuriser en remplissant d'hydrogène depuis l'écrou de charge.
Ne pas pressuriser directement à la pression constante actuelle. Pressuriser graduellement.
 - 1) Pressuriser jusqu'à 0,5 MPa, 73 PSIB attendre cinq minutes et vérifier que la pression ne diminue pas.
 - 2) Pressuriser jusqu'à 1,5 MPa, 218 PSIB attendre cinq minutes et vérifier que la pression ne diminue pas.
 - 3) Pressuriser jusqu'à 4,15 MPa, 606 PSIB puis mesurer la température ambiante et la pression du réfrigérant.
3. Si la pression spécifiée se maintient pendant environ une journée sans diminuer, les tuyaux ne présentent pas de fuite.
 - Si la température ambiante varie de 33,8°F, la pression varie d'environ 0,01 MPa, 1,5 PSIB. Apporter les corrections nécessaires.
4. Si la pression diminue à l'étape (2) ou (3), il y a une fuite de gaz. Rechercher l'origine de la fuite de gaz.

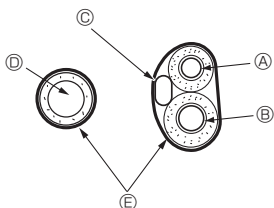


Fig. 3-11

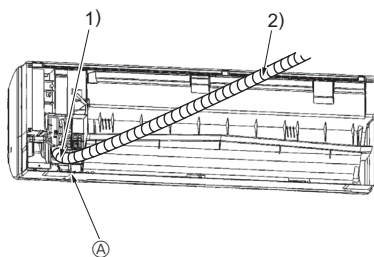


Fig. 3-12

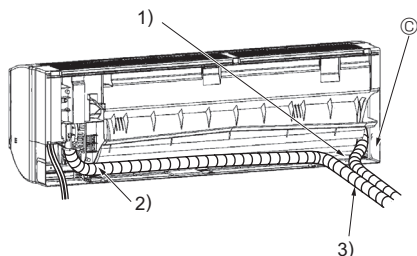
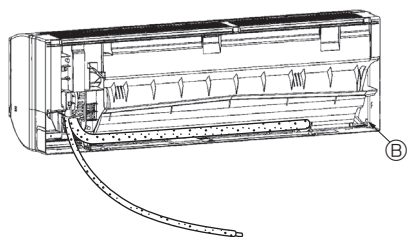


Fig. 3-13

Extraction et traitement de la tuyauterie et du câblage (Fig. 3-11)

1. Branchement du câblage intérieur/extérieur → Voir page. 23.
2. Envelopper la bande de feutre ③ autour des tuyaux de réfrigérant et du tuyau d'écoulement dans l'espace de tuyauterie de l'appareil intérieur.
 - Envelopper la bande de feutre ③ correctement à partir de la base de chaque tuyau de réfrigérant et du tuyau d'écoulement.
 - Faire chevaucher la bande de feutre ③ sur la moitié de la largeur de la bande.
 - Fixer l'extrémité de la bande avec du ruban adhésif.
3. S'assurer que le tuyau d'écoulement n'est pas levé ou en contact avec le boîtier de l'appareil intérieur. Ne pas tirer brutalement sur le tuyau d'écoulement pour ne pas le retirer.

Tuyauterie inférieure et arrière (Fig. 3-12)

- 1) S'assurer que le tuyau d'écoulement n'est pas levé ou en contact avec le boîtier de l'appareil intérieur. Arranger le tuyau d'écoulement sous la tuyauterie et l'envelopper de bande de feutre ③.
- 2) Envelopper correctement la bande de feutre ③ en commençant par la base.
(Faire chevaucher la bande de feutre sur la moitié de la largeur de la bande.)
 - ⓐ Découper le tuyau inférieur.

Tuyauterie gauche et arrière gauche (Fig. 3-13)

4. Remplacement du tuyau d'écoulement → Voir 5. Mise en place du tuyau d'écoulement
Veiller à mettre en place le tuyau d'écoulement et le capuchon de drainage de la tuyauterie gauche et arrière gauche. Un suintement peut apparaître si vous oubliez d'installer ou de remplacer ces pièces.
 - ⓑ Capuchon de drainage
- 1) S'assurer que le tuyau d'écoulement n'est pas levé ou en contact avec le boîtier de l'appareil intérieur.
- 2) Envelopper correctement la bande de feutre ③ en commençant par la base.
(Faire chevaucher la bande de feutre sur la moitié de la largeur de la bande.)
- 3) Fixer l'extrémité de la bande ③ avec du ruban adhésif.
 - ⓒ Découper le tuyau gauche.

3. Installation de l'appareil intérieur

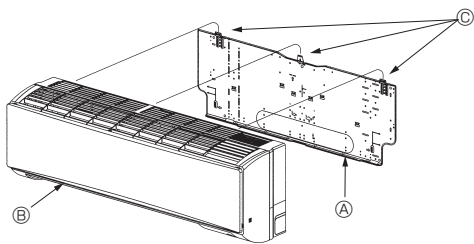


Fig. 3-14

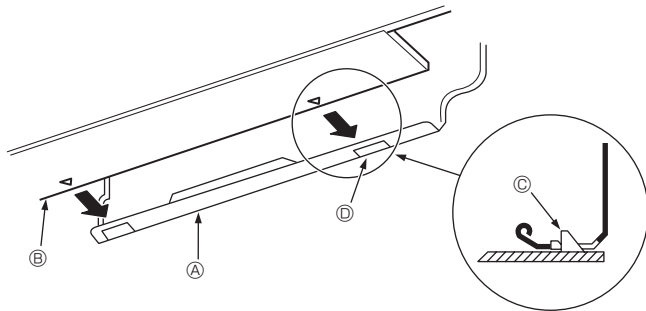


Fig. 3-15

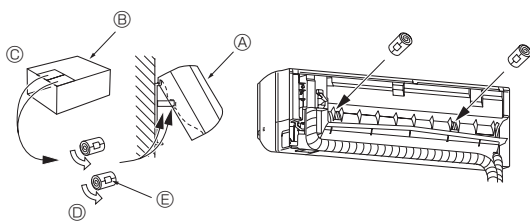


Fig. 3-16

3.5. Montage de l'appareil intérieur

1. Fixer la planche d'installation ① au mur.
2. Accrocher l'appareil intérieur sur le crochet situé dans la partie supérieure de la planche d'installation.

Tuyauterie inférieure et arrière (Fig. 3-14)

3. Lors de l'insertion du tuyau de réfrigérant et le tuyau d'écoulement dans l'orifice mural d'insertion (manchette de pénétration), accrocher la partie supérieure de l'appareil intérieur sur la planche d'installation ①.
4. Déplacer l'appareil intérieur vers la gauche et la droite et vérifier que l'appareil est correctement accroché.
5. Fixer en poussant la partie inférieure de l'appareil intérieur sur la planche d'installation ①. (Fig. 3-15)

* Vérifier que les boutons en bas de l'appareil intérieur sont correctement maintenus sur la planche d'installation ①.

6. Après l'installation, veiller à vérifier que l'appareil intérieur est monté à niveau.

- ① Planche d'installation
- ② Appareil intérieur
- ③ Crochet
- ④ Orifice carré

Tuyauterie gauche et arrière gauche (Fig. 3-16)

3. Lors de l'insertion du tuyau de réfrigérant et le tuyau d'écoulement dans l'orifice mural d'insertion (manchette de pénétration), accrocher la partie supérieure de l'appareil intérieur sur la planche d'installation ①.

Concernant le stockage des tuyaux, déplacer l'appareil complètement à gauche, couper un emballage en carton et lui donner une forme cylindrique comme illustré sur le schéma. Le fixer sur la surface arrière comme une entretoise et soulever l'appareil intérieur.

4. Relier le tuyau de réfrigérant au tuyau de réfrigérant côté site.

5. Fixer en poussant la partie inférieure de l'appareil intérieur sur la planche d'installation ①.

* Vérifier que les boutons en bas de l'appareil intérieur sont correctement maintenus sur la planche d'installation ①.

6. Après l'installation, veiller à vérifier que l'appareil intérieur est monté à niveau.

- ① Appareil intérieur
- ② Carton d'emballage
- ③ Découpe
- ④ Envelopper dans une forme cylindrique
- ⑤ Maintenir avec de l'adhésif

4. Installation de la tuyauterie du réfrigérant

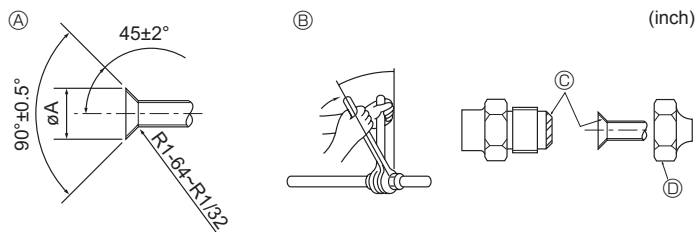


Fig. 4-1

4.1. Consignes

4.1.1. Pour les appareils utilisant le réfrigérant R410A

- Appliquer une petite quantité d'huile ester, éther ou alkylbenzène comme huile réfrigérante sur les sections évasées.
- Utiliser le cuivre phosphoreux C1220, pour des tuyaux sans soudure en cuivre et en alliage de cuivre, pour raccorder les tuyaux de réfrigérant. Utiliser les tuyaux de réfrigérant dont l'épaisseur est spécifiée dans le tableau ci-dessous. Vérifier que l'intérieur des tuyaux est propre et dépourvu de tout agent nocif tel que des composés sulfuriques, des oxydants, des débris ou des saletés.

⚠ Avertissement:

Lors de l'installation, du déplacement ou de l'entretien du climatiseur, n'utilisez que le réfrigérant spécifié (R410A) pour remplir les tuyaux de réfrigérant. Ne pas le mélanger avec un autre réfrigérant et faire le vide d'air dans les tuyaux. Si du réfrigérant est mélangé avec de l'air, cela peut provoquer des pointes de pression dans les tuyaux de réfrigérant et entraîner une explosion et d'autres risques.

L'utilisation d'un réfrigérant différent de celui spécifié pour le climatiseur peut entraîner des défaillances mécaniques, des dysfonctionnements du système ou une panne de l'appareil. Dans le pire des cas, cela peut entraîner un obstacle à la mise en sécurité du produit.

	A24, A30, A36
Conduit de liquide	ø9,52 mm, 3/8 inch épaisseur 0,8 mm, 1/32 inch
Conduit de gaz	ø15,88 mm, 5/8 inch épaisseur 1,0 mm, 3/64 inch

- Ne pas utiliser de tuyaux plus fins que ceux spécifiés ci-dessus.

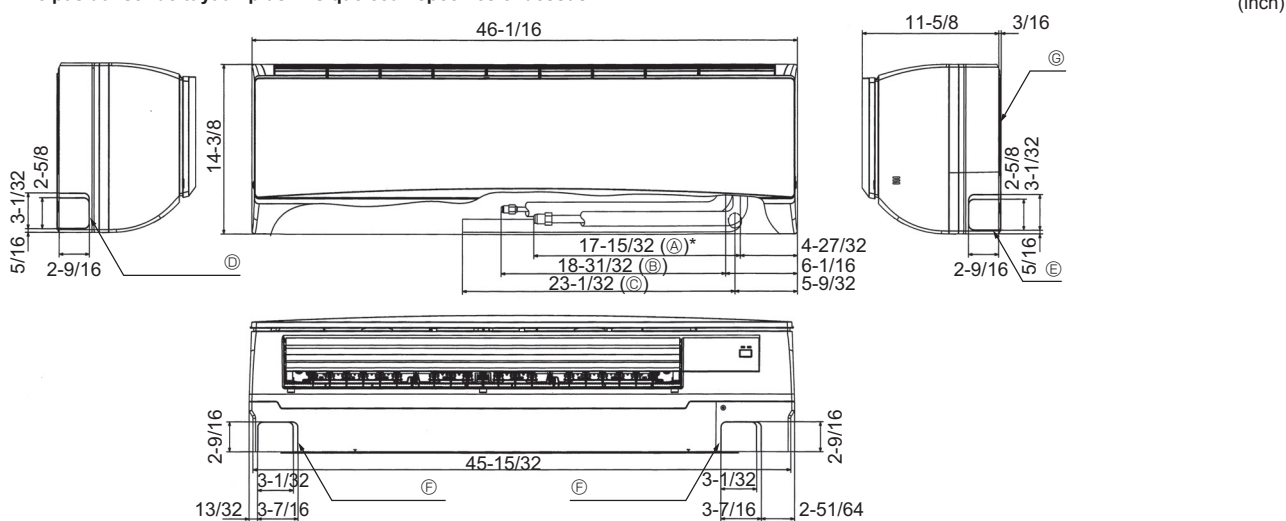


Fig. 4-2

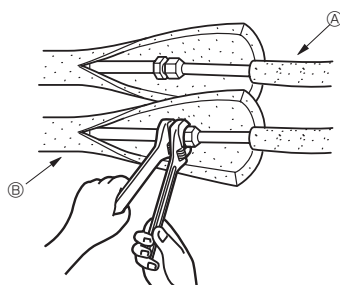


Fig. 4-3

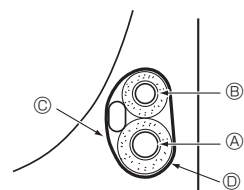


Fig. 4-4

4.2. Connexion des tuyaux (Fig. 4-1)

- En cas d'utilisation de tuyaux en cuivre disponibles sur le marché, envelopper les tuyaux de liquide et de gaz avec de la matière isolante vendue dans le commerce sur le marché (résistant à une chaleur de 100 °C, 212 °F ou supérieure et d'une épaisseur de 12 mm, 1/2 inch ou plus).
- Les parties intérieures du tuyau d'écoulement doivent également être entourées de matière isolante en mousse de polyéthylène (avec une poids spécifique de 0,03 et de 9 mm, 23/64 inch d'épaisseur ou plus).
- Appliquer un film mince d'huile réfrigérante sur la surface du tuyau et du support du joint avant de serrer l'écrou évasé.
- Utiliser deux clés pour serrer les connexions des tuyaux.
- Utiliser la matière isolante des tuyaux de réfrigérant fournie afin d'envelopper les connexions des appareils intérieurs. Effectuer l'isolation avec soin.

Ⓐ Dimension de l'évasement

Diam. ext. tuyau en cuivre (mm, inch)	Dimensions évasement Dimensions øA (mm, inch)
ø9,52, 3/8"	12,8 - 13,2, 1/2-33/64
ø15,88, 5/8"	19,3 - 19,7, 49/64-25/32

Ⓑ Couple de serrage du raccord conique

Diam. ext. tuyau en cuivre (mm, inch)	Diam. ext. raccord conique (mm, inch)	Couple de serrage (N-m, ft-lbs)
ø9,52, 3/8"	22, 7/8	34 - 42, 25-30
ø15,88, 5/8"	29, 1-9/64	68 - 82, 49-59

Ⓒ Appliquer de l'huile réfrigérante sur toute la surface évasée.

Ⓓ Utiliser des écrous évasés correspondant à la taille du tuyau de l'appareil extérieur.

4.3. Mise en place des tuyaux de réfrigérant et d'écoulement (Fig. 4-2)

- Ⓐ Conduit de gaz * Indique la condition les accessoires montés.
- Ⓑ Conduit de liquide
- Ⓒ Tuyau d'écoulement
- Ⓓ Orifice de la rondelle du tuyau gauche
- Ⓔ Orifice de la rondelle du tuyau droit
- Ⓕ Orifice de la rondelle du tuyau inférieur
- Ⓖ Planche d'installation ①

4.4. Travaux pour l'installation des tuyaux de réfrigérant (Fig. 4-3)

Appareil intérieur

1. Retirer l'écrou évasé et le couvercle de l'appareil intérieur.
2. Créer un évasement pour le tuyau de liquide et pour le tuyau de gaz et appliquer de l'huile pour machine réfrigérante (disponible chez votre fournisseur local) sur la surface du siège évasé.
3. Raccorder rapidement les tuyaux de réfrigérant sur place à l'appareil.
4. Envelopper le couvercle du tuyau fixé au tuyau de gaz et vérifier si le joint du raccord n'est pas visible.
5. Envelopper le couvercle du tuyau de liquide de l'appareil et vérifier s'il recouvre bien la matière isolante du tuyau de liquide sur place.
6. Partie où le matériau d'isolation est maintenu par du ruban adhésif.

Ⓐ Tuyauterie du réfrigérant côté site

Ⓑ Tuyauterie du réfrigérant côté appareil

4.4.1. Stockage dans l'espace de tuyauterie de l'appareil (Fig. 4-4)

1. Envelopper la bande de feutre fournie autour des tuyaux de réfrigérant dans l'espace de tuyauterie de l'appareil intérieur pour éviter les suintements.
2. Faire chevaucher la bande de feutre sur la moitié de la largeur de la bande.
3. Fixer l'extrémité de la bande avec du ruban adhésif, etc.

- Ⓐ Conduit de gaz
- Ⓑ Conduit de liquide
- Ⓒ Câble de connexion intérieur/extérieur
- Ⓓ Bande de feutre ③

5. Mise en place du tuyau d'écoulement

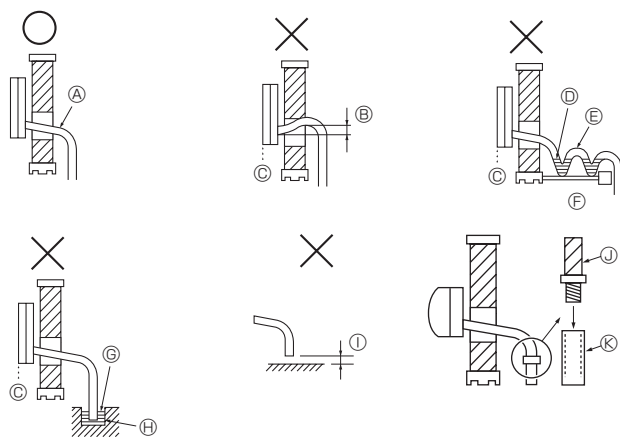


Fig. 5-1

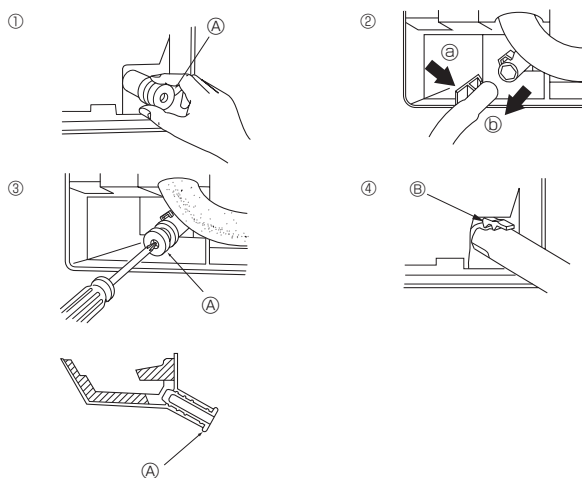


Fig. 5-2

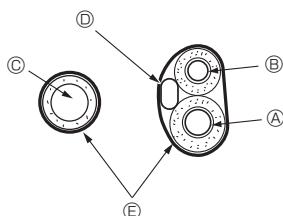


Fig. 5-3

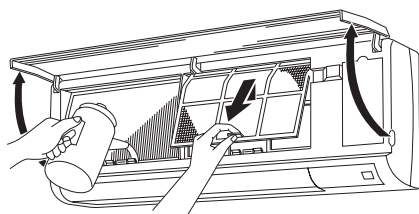


Fig. 5-4

5.1. Mise en place du tuyau d'écoulement (Fig. 5-1)

- Les tuyaux d'écoulement doivent avoir une inclinaison de 1/100 ou supérieure.
- Pour rallonger le tuyau d'évacuation, utilisez un tuyau flexible (diamètre intérieur de 15 mm, 19/32 inch), disponible dans les commerces, ou un tuyau de chlorure de vinyle dur (VP-16 mm, 5/8 inch/Tube en PVC, diam. ext. ø22 mm, ø55/64 inch). Assurez-vous qu'il n'y a aucune fuite d'eau en provenance des joints.
- Ne pas diriger les tuyaux d'écoulement directement vers un fossé d'écoulement dans lequel des gaz sulfuriques pourraient être acheminés.
- Lorsque la mise en place des tuyaux est terminée, vérifier que l'eau ressorte bien par l'extrémité du tuyau d'écoulement.

⚠ Précaution:

Les tuyaux d'écoulement doivent être installés conformément aux instructions du présent manuel d'installation pour assurer un écoulement correct. L'isolation thermique des tuyaux d'écoulement est nécessaire pour éviter la condensation. Si les tuyaux d'écoulement ne sont pas correctement installés et isolés, des gouttes de condensation risquent de se former au plafond, sur le sol ou à tout autre endroit.

- Ⓐ Inclinaison vers le bas
- Ⓑ Doit être plus bas que le point de sortie
- Ⓒ Fuite d'eau
- Ⓓ Écoulement piégé
- Ⓔ Air
- Ⓕ Ondulé
- Ⓖ Extrémité du tuyau d'écoulement sous l'eau.
- Ⓗ Rigole d'écoulement
- Ⓘ 5 cm maximum entre l'extrémité du tuyau d'écoulement et le sol.
- ⓵ Tuyau d'écoulement
- ⓶ Tuyau en PVC mou (diamètre intérieur de 15 mm, 19/32 inch) ou en PVC dur (VP-16 mm, 5/8 inch)
* Livré avec ruban adhésif PVC

Préparation du tuyautage gauche et arrière gauche (Fig. 5-2)

- Retirer le capuchon d'écoulement.
- Pour retirer le capuchon d'écoulement, saisir la partie qui ressort à l'extrémité du tuyau et tirer.
 - Ⓐ Capuchon d'écoulement
- Retirer le tuyau d'écoulement
- Retirer le tuyau d'écoulement en tenant la base du tuyau ⓸ (indiquée par la flèche) et en tirant vers soi ⓹.
- Insérer le capuchon d'écoulement.
 - Insérer un tournevis, etc. dans l'orifice à l'extrémité du tuyau et pousser sur la base du capuchon d'écoulement.
- Insérer le tuyau d'écoulement.
 - Pousser le tuyau d'écoulement jusqu'à ce qu'il se trouve à la base de la sortie du raccord de la boîte d'écoulement.
- Vérifier que le crochet du tuyau d'écoulement est fixé correctement au sommet de la sortie du raccord dépassant de la boîte d'écoulement.
 - Ⓑ Crochets

◆ Stockage dans l'espace de tuyauterie de l'appareil intérieur (Fig. 5-3)

- * Lorsque le tuyau d'écoulement est acheminé vers l'intérieur, l'envelopper avec un isolant disponible dans le commerce.
- * Rassembler le tuyau d'écoulement et les tuyaux de réfrigérant et les envelopper avec la bande de feutre fournie ⓸.
- Faire chevaucher la bande de feutre ⓸ sur la moitié de la largeur de la bande.
- Fixer l'extrémité de la bande avec du ruban adhésif, etc.

- Ⓐ Conduit de gaz
- Ⓑ Conduit de liquide
- Ⓒ Tuyau d'écoulement
- Ⓓ Câblage de connexion intérieur/extérieur
- Ⓔ Bande de feutre ⓸

◆ Vérifier l'écoulement (Fig. 5-4)

- Ouvrir la grille avant et retirer le filtre.
- Face aux ailettes de l'échangeur thermique, remplir rapidement d'eau.
- Après contrôle du drainage, fixer le filtre et fermer la grille.

6. Installations électriques

6.1. Appareil intérieur (Fig. 6-1)

Raccord possible sans retrait du panneau avant.

- Ouvrir la grille avant, retirer la vis et retirer les parties électriques du capuchons.
- Correctement relier chaque câble au bornier.
- Concernant la maintenance, prévoir des câbles plus longs.
- Utilisez les fils pour torons avec précaution, car les arêtes peuvent couper le câblage.
- Installer les pièces retirées précédemment.

- Ⓐ Cache du boîtier électrique
- Ⓑ Vis de fixation
- Ⓓ Raccord à la terre
- Ⓕ Bornier de connexion intérieur/extérieur : S1, S2, et S3 ont une polarité
- Ⓖ Fil
- Ⓗ Vis de fixation des bornes
- Ⓛ Fil de terre : relier le fil de terre comme illustré sur le schéma.
- Ⓚ Câble de connexion intérieur/extérieur
- Ⓛ Plaque de conduit
- Ⓜ Douille (achetée localement)
- Ⓝ Contre-écrou (acheté localement)
- Ⓞ Connecteur (acheté localement)
- Ⓟ Conduit (acheté localement)

Uniquement pour la télécommande à fil

- Ⓔ Bloc de sortie de la télécommande filaire : 1 et 2, pas de polarité.
- Ⓗ Vis de fixation des bornes
- Ⓛ Cordon de la télécommande à fil

Uniquement pour l'interface radiofréquence

- Ⓞ Cordon de l'interface radiofréquence

■ Pour l'interface radiofréquence

- Appuyer sur les boutons et les déverrouiller de chaque côté de la grille avant et soulever celle-ci jusqu'à ce qu'elle soit de niveau. Avancer les charnières pour déposer la grille avant. (Fig. 6-2)
- Retirer les 3 capuchons de vis du panneau. Retirer 5 vis. (Fig. 6-2)
- Défaire 3 crochets. (Fig. 6-3)
- Maintenir la partie inférieure des 2 extrémités du panneau et la tirer légèrement vers vous, puis déposer le panneau en le poussant vers le haut.
- Retirer les couvercles avant et latéral du boîtier électrique (1 vis pour chacun). (Fig. 6-4)
- Retirer le dispositif d'arrêt de l'eau. (Fig. 6-4)
- Retirer la vis du cache. (Fig. 6-2)
- Retirer le boîtier de coin.
- Retirer le guide-câble. (Fig. 6-5)
- Retirer la vis du boîtier électrique. (Fig. 6-7)
- Retirer la thermistance du conduit de liquide (TH2). (Fig. 6-5)
- Retirer en partie l'adhésif du moteur du volet et desserrer le cordon. (Fig. 6-5)
- Desserrer le cordon du moteur du ventilateur. (Fig. 6-5)
- Tirer le boîtier électrique vers soi.
- Connecter correctement le cordon électrique de l'interface radiofréquence au connecteur CN105 (ROUGE) situé sur le panneau du contrôleur intérieur. (Fig. 6-6)
- Remettre en place les pièces déposées.

- Ⓕ Grille avant
- Ⓖ Vis
- Ⓛ Vis et capuchons de vis
- Ⓛ Vis du cache
- Ⓛ Crochets
- Ⓛ Vis du couvercle du boîtier électrique (latéral)
- Ⓛ Vis du couvercle du boîtier électrique (avant)
- Ⓛ Dispositif d'arrêt de l'eau
- Ⓛ Panneau du contrôleur intérieur (I.B)
- Ⓛ Boîtier électrique
- Ⓛ Fil conducteur du moteur du volet
- Ⓛ Guide-câble
- Ⓛ Fil conducteur du moteur du ventilateur
- Ⓛ Vis du boîtier électrique
- Ⓛ Thermistance du conduit de liquide (TH2)

⚠ Avertissement :

Veiller à protéger les mains des coupures sur les pièces pointues ou l'extrémité du boîtier. Le panneau du contrôleur intérieur contient des pièces pointues.

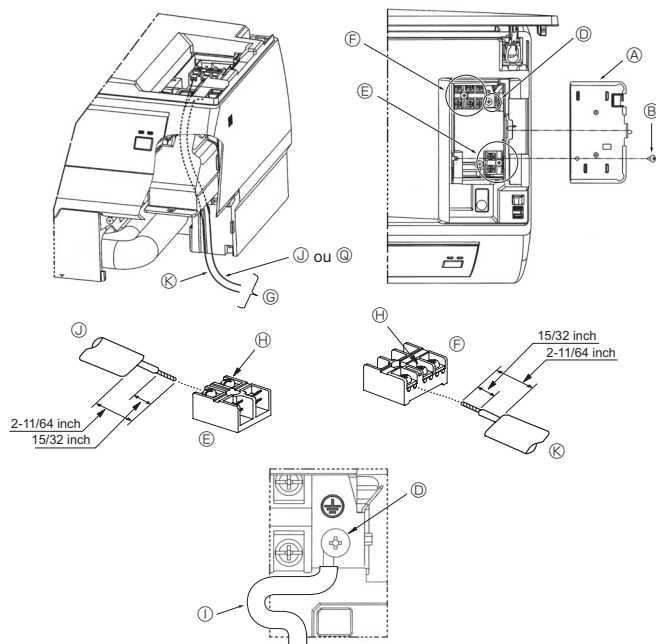


Fig. 6-1

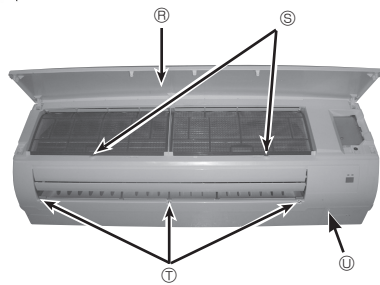


Fig. 6-2

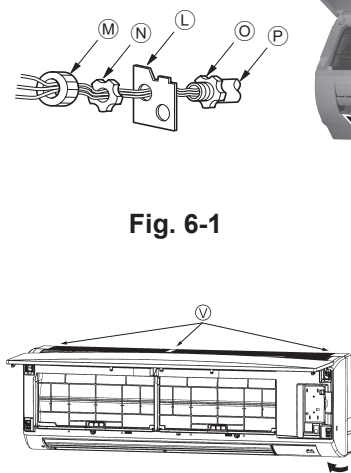


Fig. 6-3

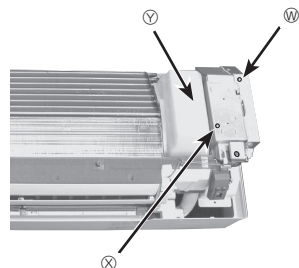


Fig. 6-4

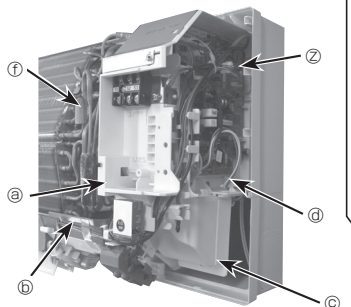


Fig. 6-5

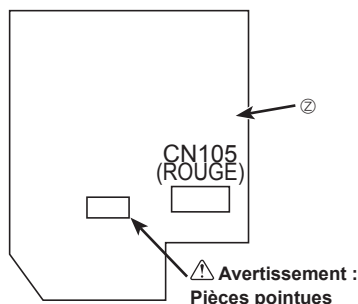


Fig. 6-6

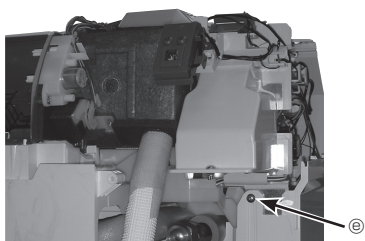


Fig. 6-7

(voir au dessous)

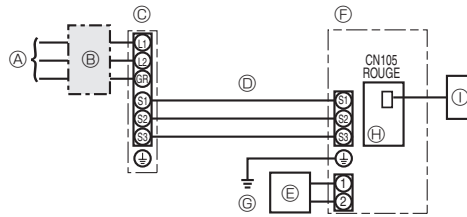
6. Installations électriques

6.1.1. Alimentation de l'appareil intérieur provenant de l'appareil extérieur (application commande A)

Les schémas de connexion suivants sont disponibles.

Les schémas d'alimentation de l'appareil extérieur varient selon les modèles.

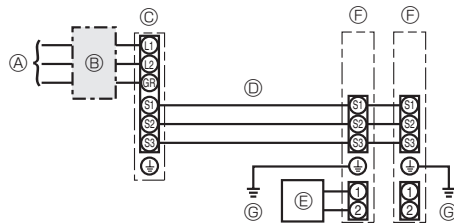
Système 1:1



- Ⓐ Source d'alimentation de l'appareil extérieur
- Ⓑ Coupe-circuit ou interrupteur d'isolement
- Ⓒ Appareil extérieur
- Ⓓ Cordons de raccordement de l'appareil intérieur/extérieur
- Ⓔ Télécommande filaire
- Ⓕ Appareil intérieur
- Ⓖ Mise à la terre de l'appareil intérieur
- Ⓗ Panneau du contrôleur intérieur
- Ⓘ Interface radiofréquence pour le thermostat radiofréquence

* Apposer une étiquette A fournie avec les manuels près de chaque schéma de câblage des appareils intérieur et extérieur.

Système double/triple/quadruple simultané



- Ⓐ Source d'alimentation de l'appareil extérieur
- Ⓑ Coupe-circuit ou interrupteur d'isolement
- Ⓒ Appareil extérieur
- Ⓓ Cordons de raccordement de l'appareil intérieur/extérieur
- Ⓔ Télécommande filaire
- Ⓕ Appareil intérieur
- Ⓖ Mise à la terre de l'appareil intérieur
- Uniquement pour la télécommande à fil.

* Apposer une étiquette A fournie avec les manuels près de chaque schéma de câblage des appareils intérieur et extérieur.

Modèle de l'appareil intérieur		PKA-A-KA6	
Courant admissible minimum du circuit		1A	
Valeur nominale maximum du dispositif de protection contre les surintensités		15A	
Câblage Notifiable x taille	Appareil intérieur-appareil extérieur	*1	3 x AWG16 (polar)
	Mise à la terre de l'appareil intérieur		1 x Min. AWG16
Tension du circuit	Télécommande filaire-Appareil intérieur	*2	2 x AWG22, non blindé
	Appareil intérieur-appareil extérieur S1-S2	*3	208/230 V CA
	Appareil intérieur-appareil extérieur S2-S3	*3	24 V CC
	Télécommande filaire-Appareil intérieur	*3	12 V CC

*1. 50 m, 165ft max.

*2. Le câble de 3 m (10 pieds) est fixé dans la télécommande filaire. Max. 500 m, 1640ft uniquement pour PKA-A-KA6

*3. Les chiffres ne s'appliquent PAS toujours à la mise à la terre.

La borne S3 présente une différence de 24 V CC par rapport à la borne S2. Les bornes S3 et S1 ne sont pas isolées électriquement par le transformateur ou tout autre appareil.

Remarques: 1. La taille des fils doit être conforme aux réglementations nationales et locales pertinentes.

2. Utiliser des fils d'alimentation en cuivre.

3. Utiliser des fils d'une intensité nominale de 300V ou plus pour les câbles d'alimentation et les câbles de raccordement de l'appareil intérieur/l'appareil extérieur.

4. Installer un câble de terre plus long que les autres câbles.

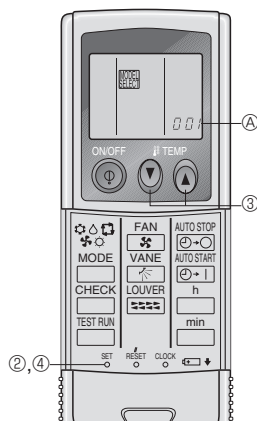


Fig. 6-8

6.2. Télécommande

6.2.1. Pour la télécommande à fil

1) Réglage des deux commandes à distance

Si deux télécommandes sont connectées, réglez l'une sur "principal" et l'autre sur "auxiliaire". Pour prendre connaissance des procédures de configuration, consultez "Sélection des fonctions" dans le mode d'emploi de l'appareil intérieur.

6.2.2. Pour télécommande sans fil infrarouge

1) Programmation (Fig. 6-8)

① Introduire les piles.

② Appuyer sur le bouton SET à l'aide d'un objet pointu. clignote et le numéro du modèle est allumé.

③ Appuyer sur le bouton temp pour programmer le numéro du modèle.

④ Appuyer sur le bouton SET à l'aide d'un objet pointu.

et le numéro du modèle s'allument pendant trois secondes puis s'éteignent.

PKA (A24, A30, A36)	modèles à pompe à chaleur modèles de refroidissement uniquement	002 034

6. Installations électriques

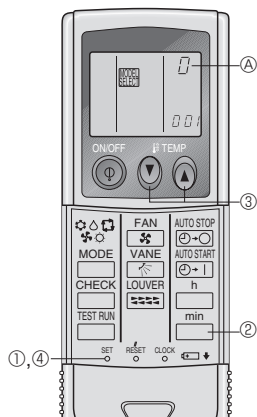


Fig. 6-9

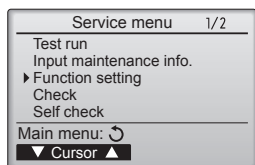


Fig. 6-10

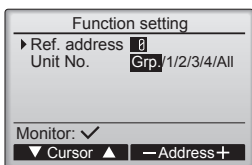


Fig. 6-11

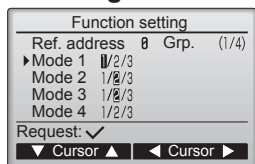


Fig. 6-12

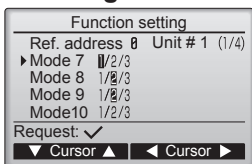


Fig. 6-13

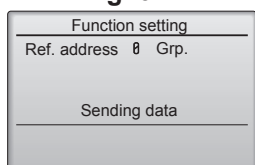


Fig. 6-14

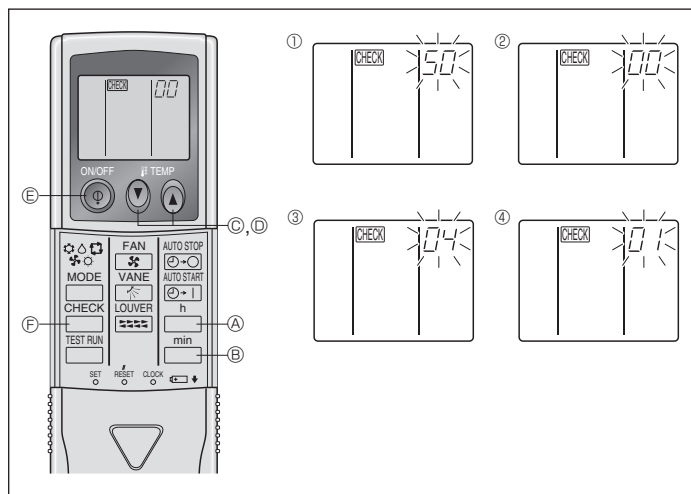


Fig. 6-15

2) Attribution d'une télécommande sans fil infrarouge à chaque appareil

Chaque appareil sera contrôlé par sa propre télécommande sans fil infrarouge. Vous assurez d'attribuer à chaque paire de télécommande sans fil infrarouge et de plaque de circuit imprimé d'un appareil intérieur le même numéro de paire.

3) Opération de réglage de numéro pair pour la télécommande sans fil infrarouge (Fig. 6-9)

- ① Appuyer sur le bouton SET à l'aide d'un objet pointu. Commencer cette opération lorsque l'écran de la télécommande sans fil infrarouge est éteint.
 - ① clignote et le numéro du modèle s'allume.
- ② Appuyer deux fois sans relâcher sur le bouton . Le numéro "0" clignote.
- ③ Appuyer sur le bouton temp pour attribuer le numéro de paires de votre choix.
- ④ Appuyer sur le bouton SET à l'aide d'un objet pointu. Le numéro de paires attribué s'allume pendant trois secondes puis s'éteint.

④ Numéro pair de la télécommande sans fil infrarouge	Carte à circuit imprimé intérieure
0	Réglage d'usine
1	Couper J41
2	Couper J42
3-9	Couper J41, J42

6.3. Réglage des fonctions

6.3.1. Réglage des fonctions sur l'appareil (sélection des fonctions de l'appareil)

1) Pour la télécommande filaire

- ① (Fig. 6-10)
 - Sélectionnez "Service" dans le menu général puis appuyez sur la touche [CHOIX].
 - Sélectionnez "Function settings" (Réglage des fonctions) à l'aide du bouton [F1] ou [F2] puis appuyez sur le bouton [CHOIX].
- ② (Fig. 6-11)
 - Réglez les adresses de réfrigérant des unités intérieures et le nombre d'unités à l'aide des boutons [F1] à [F4], puis appuyez sur le bouton [CHOIX] pour valider le réglage actuel.

<Contrôle du No. Unité intérieure>
 Une pression sur le bouton [CHOIX] démarre le ventilateur de l'unité intérieure. Si l'unité est commune, ou lorsque toutes les unités tournent, les ventilateurs de toutes les unités intérieures correspondant à l'adresse de réfrigérant démarrent.

- ③ (Fig. 6-12)
 - Une fois la collecte de données terminée depuis les unités intérieures, les réglages actuels apparaissent en surbrillance. Les éléments qui ne sont pas en surbrillance indiquent qu'aucune fonction n'est réglée. L'aspect de l'écran varie en fonction du réglage "N° unité".
- ④ (Fig. 6-13)
 - Utilisez le bouton [F1] ou [F2] pour déplacer le curseur pour sélectionner la valeur du mode, puis modifiez-le à l'aide du bouton [F3] ou [F4].
- ⑤ (Fig. 6-14)
 - Une fois les réglages terminés, appuyez sur le bouton [CHOIX] pour transmettre les données de réglage du contrôleur à distance aux unités intérieures.
 - Une fois la transmission terminée, l'écran Réglage des fonctions réapparaît.

2) Pour la télécommande sans fil infrarouge (Fig. 6-15)

Réglage de la tension d'alimentation
 • Bien modifier le réglage de la tension en fonction de la tension utilisée.

① Accéder au mode de sélection des fonctions

Appuyer sur le bouton deux fois sans le relâcher.

(Commencer cette opération lorsque l'écran de la télécommande sans fil infrarouge est éteint.)

est allumé est "00" clignote.

Appuyer une fois sur le bouton temp pour sélectionner le chiffre "50". Diriger la télécommande sans fil infrarouge vers le récepteur de l'unité interne et appuyez sur la touche .

② Réglage du numéro de l'appareil

Appuyer sur le bouton temp et pour attribuer le numéro "00" à l'appareil. Diriger la télécommande sans fil infrarouge vers le récepteur de l'unité interne et appuyez sur la touche .

③ Sélection d'un mode

Entrer 04 pour modifier le réglage de tension d'alimentation à l'aide des touches et .

Diriger la télécommande sans fil infrarouge vers le récepteur de l'unité interne et appuyez sur la touche .

Numéro de réglage actuel: 1 = 1 bip (une seconde)
 2 = 2 bips (d'une seconde chacun)
 3 = 3 bips (d'une seconde chacun)

④ Sélection du numéro de réglage

Utiliser les touches et pour mettre le réglage de tension d'alimentation sur 01 (230 V). Diriger la télécommande sans fil infrarouge vers le récepteur de l'unité interne et appuyez sur la touche .

⑤ Sélection de plusieurs fonctions de manière continue

Répéter les opérations ③ et ④ pour modifier les réglages de plusieurs fonctions de manière continue.

⑥ Fin de la sélection de fonction

Diriger la télécommande sans fil infrarouge vers le récepteur de l'unité interne et appuyez sur la touche .

Remarque:

En cas de modification des paramètres des fonctions après installation ou maintenance, veiller à indiquer les modifications par un repère dans la colonne "Réglage" du tableau des fonctions.

6.3.2 Réglage des fonctions de la télécommande

Pour plus de détails sur le mode de fonctionnement de la télécommande, reportez-vous au manuel d'utilisation approprié fourni avec chaque télécommande.

6. Installations électriques

Tableau des fonctions

Sélectionner l'appareil numéro 00

Mode	Paramètre	No. de Mode		Réglage initial	Réglage
		Télécommande à fil (Thermostat radiofréquence (RF))	No. de réglage		
Restauration automatique après une coupure de courant	Non disponible	01	1		
	Disponible *1	(101)	2	○	
Détection de la température intérieure	Moyenne de fonctionnement de l'appareil intérieur	02	1	○	
	Réglée par la télécommande de l'appareil intérieur		2		
	Détecteur interne de la télécommande à fil	(-)	3		
Connectivité LOSSNAY	Non supportée	03 (103)	1	○	
	Supportée (l'appareil intérieur n'est pas équipé d'une prise d'air extérieure)		2		
	Supportée (l'appareil intérieur est équipé d'une prise d'air extérieure)		3		
Tension d'alimentation	230 V	04 (104)	1	○	
	208 V		2		

Sélectionner les appareils numéro 01 à 03 ou tous les appareils (AL [télécommande avec fil] / 07 [télécommande sans fil])

Mode	Paramètre	No. de Mode		Réglage initial	Réglage
		Télécommande à fil (Thermostat radiofréquence (RF))	No. de réglage		
Signe du filtre	100 heures	07 (107)	1	○	
	2500 heures		2		
	Pas d'indicateur de signe du filtre		3		
Vitesse du ventilateur	Silencieux	08 (108)	1	-	
	Standard		2	○	
	Haut plafond		3	-	

*1 Une fois l'alimentation rétablie, le climatiseur redémarre après 3 minutes.

7. Marche d'essai

7.1. Avant la marche d'essai

- ▶ Lorsque l'installation, le tuyautage et le câblage des appareils intérieur et extérieur sont terminés, vérifier l'absence de fuites de réfrigérant, la fixation des câbles d'alimentation et de commande, l'absence d'erreur de polarité et contrôler qu'aucune phase de l'alimentation n'est déconnectée.
- ▶ Utiliser un mégohm-mètre de 500 V pour s'assurer que la résistance entre les bornes d'alimentation électrique et la terre soit au moins de 1,0 MΩ.

- ▶ Ne pas effectuer ce test sur les bornes des câbles de contrôle (circuit à basse tension).

⚠ Avertissement:
Ne pas utiliser le climatiseur si la résistance de l'isolation est inférieure à 1,0 MΩ. Résistance de l'isolation.

7.2. Marche d'essai

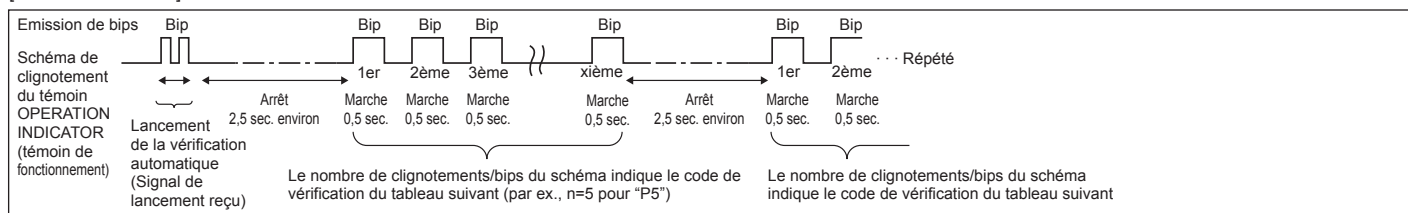
- Consulter le manuel d'installation fourni avec chaque télécommande pour plus détails.

7.3. Auto-vérification

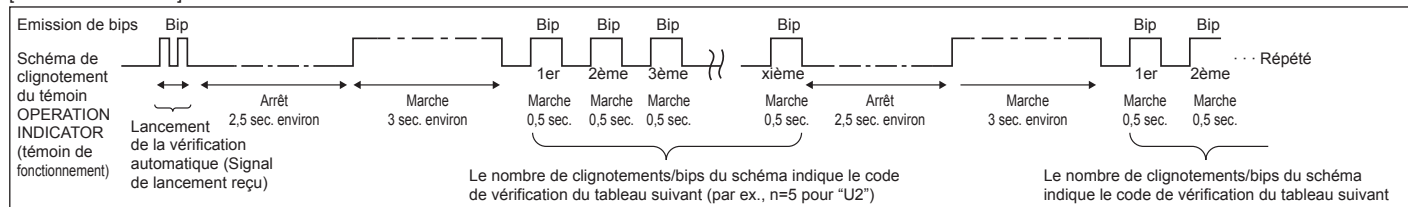
- Consulter le manuel d'installation fourni avec chaque télécommande pour plus détails.
- Thermostat radiofréquence non établi.

• Consultez les tableaux suivants pour obtenir de plus amples informations sur les codes de vérification. (télécommande sans fil infrarouge)

[Schéma de sortie A]



[Schéma de sortie B]



7. Marche d'essai

[Schéma de sortie A] Erreurs détectées par l'appareil intérieur

Télécommande sans fil infrarouge	Télécommande à fil Thermostat radiofréquence	Symptôme	Remarque
Emission de bips/ clignotements du témoin OPERATION INDICATOR (Nombre de fois)	Code de vérification		
1	P1	Erreur du capteur d'admission	
2	P2, P9	Erreur du capteur sur tuyaux (Tuyau liquide ou à 2 phases)	
3	E6, E7	Erreur de communication de l'appareil intérieur/extérieur	
4	P4	Interrupteur à flotteur CN4F ouvert	
5	P5	Erreur de la pompe d'écoulement	
	PA	Erreur de compresseur forcé	
6	P6	Fonctionnement du dispositif de protection en cas de gel/surchauffe	
7	EE	Erreur de communication entre les appareils intérieur et extérieur	
8	P8	Erreur de température des tuyaux	
9	E4	Erreur de réception du signal de la télécommande	
10	-	-	
11	-	-	
12	Fb	Erreur du système de contrôle de l'appareil intérieur (erreur de mémoire, etc.)	
14	PL	Circuit de réfrigérant anormal	
Aucun son	----	Aucun	

[Schéma de sortie B] Erreurs détectées par un appareil autre que l'appareil intérieur (appareil extérieur, etc.)

Télécommande sans fil infrarouge	Télécommande à fil Thermostat radiofréquence	Symptôme	Remarque
Emission de bips/ clignotements du témoin OPERATION INDICATOR (Nombre de fois)	Code de vérification		
1	E9	Erreur de communication de l'appareil intérieur/extérieur (Erreur de transmission) (Appareil extérieur)	Pour de plus amples informations, contrôlez l'écran LED du panneau du contrôleur extérieur.
2	UP	Interruption due à la surintensité du compresseur	
3	U3, U4	Circuit ouvert/court-circuit des thermistances de l'appareil extérieur	
4	UF	Interruption due à la surintensité du compresseur (Quand compresseur verrouillé)	
5	U2	Température de décharge anormalement élevée/fonctionnement de 49C/ réfrigérant insuffisant	
6	U1, Ud	Pression anormalement élevée (Fonctionnement de 63H)/Fonctionnement du dispositif de protection en cas de surchauffe	
7	U5	Température anormale de la source de froid	
8	U8	Arrêt du dispositif de protection du ventilateur de l'appareil extérieur	
9	U6	Interruption due à la surintensité du compresseur/Module d'alimentation anormal	
10	U7	Surchauffe anormale due à une température de décharge basse	
11	U9, UH	Anomalies telles que surtension ou sous-tension et signal synchronisé anormal vers le circuit principal/Erreur du capteur d'intensité	
12	-	-	
13	-	-	
14	Autres	Autres erreurs (Consultez le manuel technique de l'appareil extérieur.)	

*1 Si l'émetteur de bips ne sonne plus suite aux deux bips initiaux pour confirmer que le signal de lancement de la vérification automatique a été reçu et si le témoin OPERATION INDICATOR (témoin de fonctionnement) ne s'allume pas, ceci signifie qu'aucune erreur n'a été enregistrée.

*2 Si l'émetteur de bips sonne trois fois de suite "bip, bip, bip (0,4 + 0,4 + 0,4 sec.)", après les deux bips initiaux pour confirmer que le signal de lancement de la vérification automatique a été reçu, ceci signifie que l'adresse du réfrigérant spécifié est incorrecte.

- Sur la télécommande sans fil infrarouge
La sonnerie continue est déclenchée dans la section de réception de l'appareil intérieur.
Clignotement du témoin de fonctionnement
- Sur la télécommande à fil
Code de vérification affiché à l'écran LCD.
- Si vous ne parvenez pas à faire fonctionner l'appareil correctement après avoir mené à bien le test d'essai indiqué ci-dessus, consulter le tableau suivant pour en trouver la cause éventuelle.

Symptôme		Cause	
Télécommande à fil	Témoin 1, 2 (circuit de l'appareil extérieur)		
PLEASE WAIT	Pendant environ 2 minutes après la mise sous tension.	LED 1 et 2 sont allumés, LED 2 s'éteint, puis seul LED 1 reste allumé (Fonctionnement correct).	• Pendant environ deux minutes après la mise sous tension, il n'est pas possible d'utiliser la télécommande à cause du démarrage du système (Fonctionnement correct).
PLEASE WAIT → Code d'erreur	Après un délai d'environ deux minutes suivant la mise sous tension.	Seul LED 1 est allumé. → LED 1 et 2 clignotent.	• Le connecteur pour le dispositif de protection de l'appareil extérieur n'est pas raccordé. • Câblage inversé ou en phase ouverte pour le bloc d'alimentation de l'appareil extérieur (L1, L2, GR)
Aucun message n'est affiché même lorsque l'interrupteur de fonctionnement est sur ON (le témoin de fonctionnement ne s'allume pas).		Seul LED 1 est allumé. → LED 1 clignote deux fois, LED 2 clignote une fois.	• Câblage incorrect entre les appareils intérieur et extérieur (polarité incorrecte de S1, S2, S3) • Court-circuit de la télécommande

Dans les conditions ci-dessus, le phénomène suivant se produit sur la télécommande sans fil infrarouge.

- Aucun signal de la télécommande n'est accepté.
- Le témoin OPE clignote.
- La sonnerie émet un son court et aigu.

Remarque:

Son utilisation n'est pas possible pendant 30 secondes après l'annulation de la sélection de fonction (Fonctionnement correct).

Pour la description de chacun des témoins (LED 1, 2, 3) repris sur le contrôleur de l'appareil intérieur, se reporter au tableau suivant.

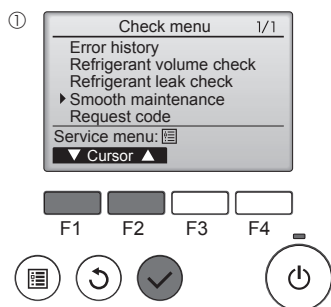
LED1 (alimentation du micro-ordinateur)	Indique si l'alimentation est fournie au contrôleur. Ce témoin doit toujours être allumé.
LED2 (alimentation de la télécommande)	Indique si l'alimentation est fournie à la télécommande. Ce témoin s'allume uniquement pour l'appareil intérieur raccordé à l'appareil réfrigérant extérieur dont l'adresse est "0".
LED3 (communication entre les appareils intérieur et extérieur uniquement pour la commande A)	Indique l'état de communication entre les appareils intérieur et extérieur. Ce témoin doit toujours clignoter.

8. Fonction d'entretien aisé

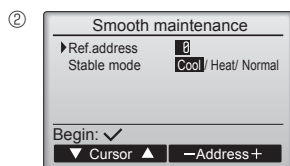
Les données de maintenance, telles que la température de l'échangeur thermique et le courant de fonctionnement du compresseur de l'appareil intérieur/extérieur, peuvent être affichées à l'aide de la fonction "Smooth maintenance" (Entretien facile).

* Ceci ne peut pas être effectué en mode d'essai.

* En fonction de la combinaison avec l'appareil extérieur, ceci peut ne pas être pris en charge par certains modèles.

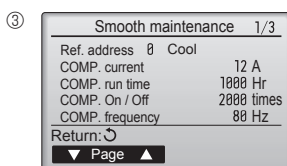
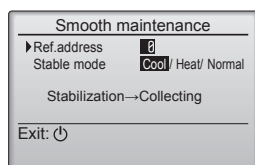


- Sélectionnez "Service" dans Main menu (menu général) puis appuyez sur la touche [CHOIX].
- Sélectionnez "Check" (Vérif.) à l'aide de la touche [F1] ou [F2] puis appuyez sur la touche [CHOIX].
- Sélectionnez "Smooth maintenance" (Entretien facile) à l'aide de la touche [F1] ou [F2] puis appuyez sur la touche [CHOIX].



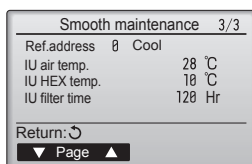
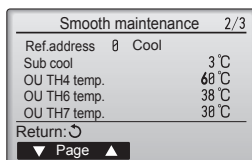
Sélectionnez chaque élément

- Sélectionnez l'élément à modifier à l'aide de la touche [F1] ou [F2].
- Sélectionnez le réglage requis à l'aide de la touche [F3] ou [F4].
 Réglage "Ref. address" (Adresse réf.)..... "0" - "15"
 Réglage "Stable mode" (Mode stable) "Cool" (Froid) / "Heat" (Chaud) / "Normal"
- Appuyez sur la touche [CHOIX], le fonctionnement stable démarre.
- * Stable mode (mode Stable) prend environ 20 minutes.



Les données de fonctionnement apparaissent.

La durée cumulative de fonctionnement du compresseur (COMP. run) est exprimée en unités de 10 heures, et le nombre de cycles marche/arrêt (COMP. On/Off) en unités de 100 fois (sans fractions).



Naviguer dans les écrans

- Pour revenir au Menu général..... Touche [MENU]
- Pour revenir à l'écran précédent Touche [RETOUR]

Contenido

1. Precauciones de seguridad.....	28	5. Tubería de drenaje.....	34
2. Lugar en que se instalará.....	29	6. Trabajo eléctrico.....	35
3. Instalación de la unidad interior.....	29	7. Prueba de funcionamiento.....	38
4. Instalación de los tubos del refrigerante.....	33	8. Función de mantenimiento fácil.....	40

1. Precauciones de seguridad

- ▶ **Antes de instalar la unidad, asegúrese de haber leído el capítulo de "Precauciones de seguridad".**
- ▶ **Informe al servicio de suministro o pídale permiso antes de conectar este equipo en el sistema de suministro de alimentación.**

⚠ Atención:

Describe las precauciones que deben tenerse en cuenta para evitar el riesgo de lesiones o muerte del usuario.

⚠ Cuidado:

Describe las precauciones que deben tenerse en cuenta para evitar daños en la unidad.

⚠ Atención:

- La instalación de la unidad debe correr a cargo del distribuidor o técnico autorizado.
- Para la instalación, siga las instrucciones del Manual de instalación y utilice las herramientas y piezas de fontanería específicamente diseñadas para utilizarse con el refrigerante especificado en el manual de instalación de la unidad exterior.
- La unidad debe instalarse según las instrucciones para reducir posibles daños en caso de terremoto, huracán o vientos fuertes. Si no se instala correctamente, la unidad podría caerse y provocar daños o lesiones.
- La unidad debe instalarse firmemente sobre una estructura capaz de soportar su peso.
- Si el equipo de aire acondicionado se instala en una sala pequeña, deberán tomarse medidas para evitar que la concentración de refrigerante en la sala exceda los límites de seguridad en caso de fugas de refrigerante. Si se produce una fuga de refrigerante que sobrepase los límites de concentración, la estancia en la sala puede ser peligrosa por falta de oxígeno.
- Si se produce una fuga de refrigerante durante el funcionamiento, ventile la sala. Si el refrigerante entra en contacto con una llama, se desprenderán gases nocivos.
- Todas las conexiones eléctricas deberán ser realizadas por un técnico cualificado según la normativa local y las instrucciones de este manual.

Después de terminar la instalación, explique las "Precauciones de seguridad", funcionamiento y mantenimiento de la unidad al cliente según el Manual de instrucciones y realice una prueba para asegurarse de que funciona correctamente. Entregue una copia del Manual de instalación y del Manual de instrucciones al usuario. Estos manuales deben pasar a usuarios posteriores del equipo.

⏚ : Indica una pieza que debe estar conectada a tierra.

⚠ Atención:

Lea atentamente las etiquetas adheridas a la unidad principal.

- Utilice sólo cables especificados para el cableado.
- La cubierta del bloque de terminales de la unidad tiene que estar bien sujeta.
- Utilice sólo accesorios autorizados por Mitsubishi Electric y pida a su distribuidor o a un técnico autorizado que se los instale.
- El usuario nunca debe intentar reparar la unidad o moverla de sitio.
- Tras haber realizado la instalación, compruebe si hay fugas de refrigerante. Si en caso de fuga el refrigerante entra en contacto con las llamas de un calentador o de un equipo de cocina portátil, se desprenderán gases nocivos.
- Cuando instale, mueva o revise el equipo de aire acondicionado, utilice solo el refrigerante indicado (R410A) para cargar los tubos del refrigerante. No lo mezcle con otro tipo de refrigerante y vacíe completamente de aire los tubos. Si el aire se mezcla con el refrigerante, podría producir una tensión anormalmente alta en el tubo del refrigerante y ocasionar una explosión u otros peligros. Usar un refrigerante distinto al indicado para el sistema provocará un fallo mecánico, un funcionamiento defectuoso del sistema o la avería de la unidad. En el peor de los casos, podría suponer un grave impedimento para garantizar la seguridad del producto.

1.1. Cuestiones previas a la instalación (entorno)

⚠ Cuidado:

- No utilice la unidad en un ambiente enrarecido. Este aire acondicionado no se puede instalar en áreas expuestas a vapor, aceite esencial (incluyendo el aceite para máquinas) o al humo sulfúrico, ni en áreas con alto contenido en sal, como playas, ya que pueden reducir significativamente su rendimiento y dañar las piezas internas.
- No instale la unidad donde se puedan verter, producir, circular o acumular gases inflamables. Si se acumula gas inflamable en zonas próximas a la unidad, se podría producir un incendio o una explosión.
- No coloque alimentos, plantas, animales enjaulados, obras de arte o instrumentos de precisión en la salida de aire directa de la unidad interior o demasiado cerca de ella, ya que los cambios de temperatura o el agua que gotea podrían dañarlos.

- Cuando la humedad de la habitación supera el 80%, o cuando el tubo de drenaje está obstruido, puede gotear agua de la unidad interior. No instale la unidad interior en lugares donde el goteo pueda causar daños.
- Si instala la unidad en un hospital o en un centro de comunicaciones, recuerde que la unidad produce ruidos e interferencias electrónicas. Los conmutadores, aparatos domésticos, equipos médicos de alta frecuencia y los equipos de comunicación por radio pueden provocar un mal funcionamiento o la avería del equipo de aire acondicionado. El equipo de aire acondicionado también puede afectar a los equipos médicos e interrumpir los cuidados médicos, así como los equipos de comunicación, y dañar la calidad de la pantalla.

1.2. Cuestiones previas a la instalación o reubicación

⚠ Cuidado:

- Tenga mucho cuidado cuando mueva las unidades. Se necesitan dos o más personas para llevar la unidad, porque pesa 20 kg, 44lbs o más. No la sujete por las bandas de embalaje. Utilice guantes protectores, ya que se podría lesionar las manos con las aletas u otras partes.
- Guarde los materiales de embalaje en un lugar seguro. Los materiales de embalaje, como clavos y otras piezas de metal o de madera, pueden producir cortes y otras lesiones.
- Se necesita aislar térmicamente el tubo de refrigerante para evitar la condensación. Si el tubo de refrigerante no está bien aislado, se formará condensación.

- Coloque material termoaislante en los tubos para evitar condensación. Si el tubo de drenaje no se instala correctamente, pueden producirse fugas de agua y daños en el techo, en el suelo, en los muebles o en otros bienes.
- No limpie con agua la unidad de aire acondicionado. Puede sufrir una descarga eléctrica.
- Apriete todas las tuercas abocardadas a los niveles recomendados mediante una llave dinamométrica. Si las aprieta demasiado, se pueden romper al cabo de un periodo prolongado.

1.3. Antes de la instalación eléctrica

⚠ Cuidado:

- Asegúrese de instalar disyuntores en caja moldeada. Si no se instalan, se podrían producir descargas eléctricas.
- Use cables estándar de suficiente capacidad para las líneas eléctricas. Si no lo hace así, se podría producir un cortocircuito, un sobrecalentamiento o un incendio.
- Cuando instale las líneas eléctricas, los cables no deben tener corriente.
- Asegúrese de conectar la unidad a tierra. Si la unidad no está bien conectada a la línea de tierra, se puede producir una descarga eléctrica.

- Utilice disyuntores (interruptor de falta de tierra, interruptor aislante (fusible +B) y disyuntor en caja moldeada) con la capacidad especificada. Si la capacidad del disyuntor es mayor que la especificada, puede producirse un incendio o una avería.

1.4. Antes de realizar las pruebas de funcionamiento

⚠ Cuidado:

- Conecte la corriente más 12 horas antes de que empiece a funcionar el equipo. Si se pone en marcha inmediatamente después de haberlo conectado a la corriente, pueden producirse daños graves en las piezas internas.
- Antes de que comience a funcionar el equipo, compruebe que todos los paneles y protectores estén instalados correctamente. Las piezas giratorias, calientes o de alto voltaje pueden provocar lesiones.
- No haga funcionar el equipo de aire acondicionado sin el filtro de aire instalado. Si el filtro de aire no está colocado, se puede acumular el polvo y se puede averiar el equipo.

- No toque ningún interruptor con las manos mojadas. Puede sufrir una descarga eléctrica.
- No toque la tubería del refrigerante sin guantes durante el funcionamiento.
- Una vez deje de funcionar el aparato, espere al menos cinco minutos antes de apagar el interruptor principal. De lo contrario, se puede producir una fuga de agua o una avería.

2. Lugar en que se instalará

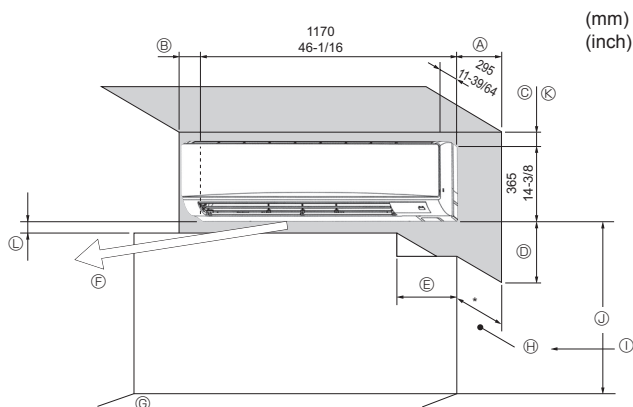


Fig. 2-1

2.1. Dimensiones exteriores (Unidad interior) (Fig. 2-1)

Seleccione una posición adecuada, de forma que queden las siguientes distancias para proceder a la instalación y al mantenimiento.

(mm, inch)				
A	B	C	D	E
Min. 100,5	Min. 52,3	Min. 48	Min. 250	Min. 220
Min. 3-31/32	Min. 2-1/16	Min. 1-7/8	Min. 9-27/32	Min. 8-21/32

- F Salida de aire: No coloque ningún obstáculo en 1500 mm, 59-1/16 inch de la salida del aire o tuberías.
- G Superficie del suelo
- H Mobiliario
- I Cuando la dimensión de proyección de una guía de cortina o similar con respecto a la pared supera los 60 mm, 2-23/64 inch debe tomarse una distancia adicional, ya que la corriente de aire del ventilador puede crear un ciclo corto.
- J 1800 mm, 70-7/8 inch o más desde la superficie del suelo (para montaje en ubicaciones altas)
- K 108 mm, 4-1/4 inch o más con la instalación de las tuberías de la parte izquierda o posterior izquierda.
- L Mínimo 7 mm, 9/32 inch.

Nota: (para la interfaz de radiofrecuencia)

- Antes de instalar la unidad interior en la pared conecte el cable de la interfaz de radiofrecuencia al panel del controlador.
- Consulte P.35 para obtener más información sobre la instalación de la interfaz de radiofrecuencia.

3. Instalación de la unidad interior

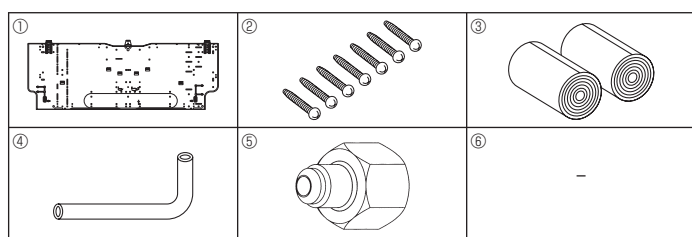


Fig. 3-1

3.1. Comprobación de los accesorios de la unidad interior (Fig. 3-1)

La unidad interior debe ir acompañada de los siguientes accesorios.

NÚMERO	ACCESORIO	CANTIDAD	UBICACIÓN
①	Placa de montaje	1	Fijado a la parte trasera de la unidad
②	Tornillo roscado 4 x 25	7	
③	Cinta de fieltro	2	
④	Tubo de conexión en L	1	
⑤	Tuerca de carga	1	
⑥	Pieza distanciadora	1	Utilice el material de embalaje

3.2. Instalación del soporte de montaje en la pared

3.2.1. Determine las posiciones del soporte de montaje y de las tuberías (Fig. 3-2)

► Con la ayuda del soporte de montaje determine dónde se colocará la unidad y los lugares en que se hará un agujero para las tuberías.

⚠ Atención:

Antes de hacer los agujeros de la pared, consulte al contratista.

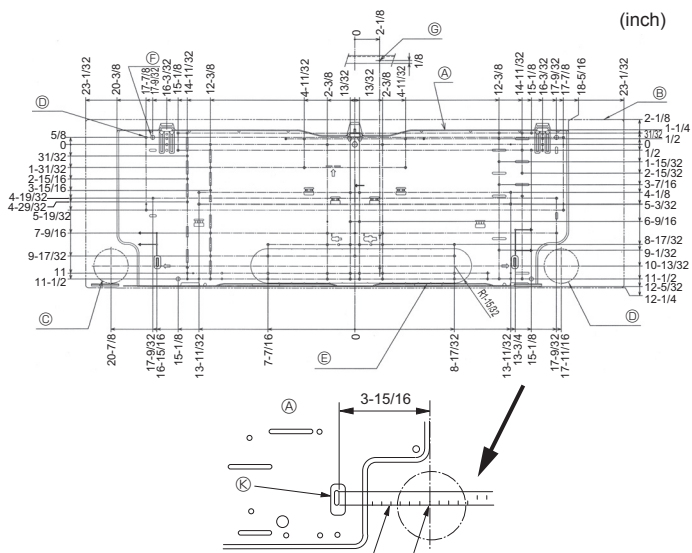


Fig. 3-2

- A Placa de montaje ①
- B Unidad interior
- C Orificio para tubos en la parte posterior inferior izquierda (ø75-ø80 mm, 2-61/64~3-35/64 inch)
- D Orificio para tubos en la parte posterior inferior derecha (ø75-ø80 mm, 2-61/64~3-35/64 inch)
- E Orificio ciego para el orificio posterior izquierdo (75 x 480)
- F Orificio troquelado (orificio de 4-ø9 mm, 23/64 inch)
- G Orificio de medición central (orificio de ø2,5 mm, 3/32 inch)
- H Orificio roscador (orificio de 75-ø5,1 mm, 13/64 inch)
- I Centro del orificio
- J Alinear la escala con la línea.
- K Introducir la escala.

3.2.2. Hacer el agujero para las tuberías (Fig. 3-3)

- Utilice una broca hueca para hacer en la pared una perforación de 75-80 mm, 2-61/64~3-5/32 inch de diámetro en la dirección de las tuberías, en la posición indicada en el diagrama de la izquierda.
- La perforación de la pared debe inclinarse, de manera que el orificio exterior esté más bajo que el orificio interior.
- Introduzca un manguito por el agujero (de 75 mm, 2-61/64 inch de diámetro y comprado en su localidad).

Nota:

El objetivo de la inclinación del agujero perforado es facilitar el drenaje.

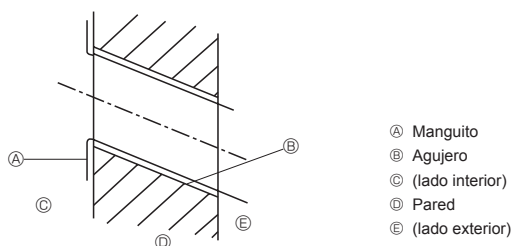


Fig. 3-3

3. Instalación de la unidad interior

3.2.3. Instalación del soporte de montaje en la pared (Fig. 3-4)

- ▶ Como la unidad interior pesa casi 21 kg, 46,3lbs, tendrá que tener en cuenta el lugar de montaje. Si la pared no parece lo suficientemente fuerte, refuércela con tablas y vigas antes de instalar la unidad.
- ▶ El soporte de montaje se fijará por ambos extremos y por el centro, si es posible. No lo fije nunca por un solo punto o de manera asimétrica. (Si es posible, sujete el soporte por todos los lados marcados con una flecha gruesa.)

⚠ **Atención:**
Si es posible, fije el soporte en todas las posiciones marcadas con una flecha.

⚠ **Cuidado:**

- La unidad se tiene que montar horizontalmente.
- Apriete en los agujeros marcados con ▲.

- ▲ Mín. 120 mm, 4-11/16 inch
- Mín. 220 mm, 8-11/16 inch
- Mín. 70 mm, 2-3/4 inch
- Ⓜ Tornillos de fijación (4 x 25) ②
- Ⓝ Nivel
- Ⓞ Introduzca un hilo en el orificio y átelo.
- Ⓟ Coloque el nivel contra la línea horizontal de referencia de la placa de montaje y monte de forma que quede nivelado. Cuelgue una plomada del hilo y alinéelo con la marca ▽ EPK de la placa de montaje para lograr el nivelado.
- Ⓠ Plomada
- Ⓡ Placa de montaje ①

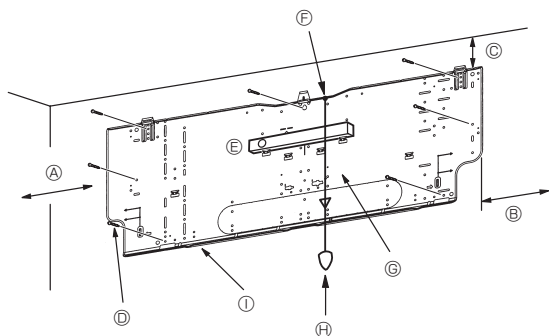


Fig. 3-4

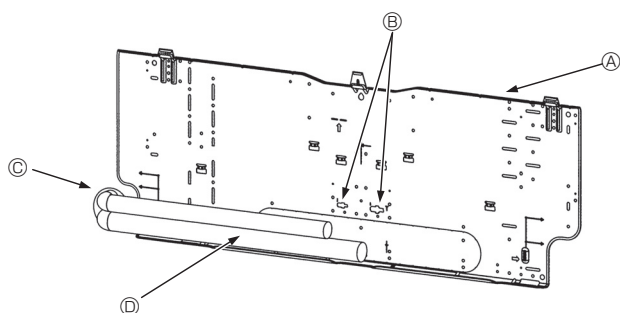


Fig. 3-5

3.3. Cuando coloque los tubos en la pared (Fig. 3-5)

- Los tubos están en la parte inferior izquierda.
- Cuando las líneas de conexión interna/externa del tubo de refrigerante y de los tubos de drenaje tienen que empotrarse en la pared con anterioridad, es probable que haya que doblar los tubos troquelados, etc., y modificar su longitud para adaptarlos a la unidad.
- Utilice la marca de la placa de montaje como referencia cuando vaya a ajustar la longitud del tubo de refrigerante empotrado.
- Durante la construcción, deje un margen en la longitud de los tubos troquelados, etc.

- ▲ Placa de montaje ①
- Marca de referencia de la conexión abocinada
- Orificio pasante
- Ⓜ Tuberías locales

3.4. Preparación de la unidad interior

- * Compruébelo de antemano, porque los preparativos diferirán según la dirección de salida de la tubería.
- * Si dobla la tubería, hágalo de forma gradual y sujetando la base de la parte de tubería que sale. (Si se dobla bruscamente, se puede deformar la tubería.)
- * No instale tuberías en el lado derecho.

Colocación del tubo de conexión en L ④

Tuberías de la parte izquierda y posterior (Fig. 3-6)

1. Retire la tuerca abocardada y la tapa de la unidad interior. (Sólo tubo de gas)
2. Aplique aceite refrigerante para máquinas en la superficie abocinada. (Preparación in situ)
3. Mirando en el sentido en que se retirará el tubo de conexión en L ④, realice una conexión rápida en la abertura abocinada de conexión de la unidad interior.
4. Apriete la tuerca abocardada con doble llave de boca. (Fig. 3-9)
Fuerza de apriete: 68 a 82 N•m, 49~59ft lbs
5. Coloque la tuerca de carga ⑤ en la parte de la junta lateral del tubo de líquido y compruebe si hay fugas en la parte de conexión del tubo de conexión en L ④. Retire la tuerca de carga ⑤ tras terminar el trabajo.
Fuerza de apriete: 34 a 42 N•m, 25~30ft lbs
6. Cubra la parte de conexión abocinada con la cubierta del tubo de conexión en L ④ para que no se quede desprotegida. (Fig. 3-10)
 - ▲ Tubo de conexión en L ④
 - Posición de corte (parte recta del tubo)
 - Sentido de apriete
 - Ⓞ Cubrir con la cubierta del tubo
 - Ⓟ Cubrir la parte de conexión de la tuerca abocardada con la cubierta del tubo.

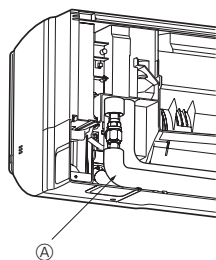


Fig. 3-6

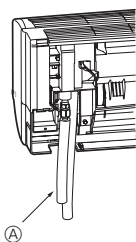


Fig. 3-7



Fig. 3-8

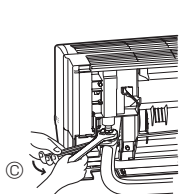


Fig. 3-9

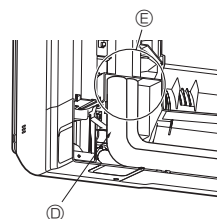


Fig. 3-10

Tuberías de la parte inferior (Fig. 3-7)

1. Corte el tubo de conexión en L ④ en la posición indicada en la (Fig. 3-8).
2. Introduzca la tuerca abocardada que se había retirado anteriormente en el lado recto del tubo de conexión en L ④ y luego abocine el extremo del tubo.
3. Retire la tuerca abocardada y la tapa de la unidad interior. (Sólo tubo de gas)
4. Aplique aceite refrigerante para máquinas en la superficie abocinada. (Preparación in situ)
5. Conecte rápidamente el tubo de conexión en L ④ que se ha procesado según se describe en la parte 2) en la abertura abocinada de conexión de la unidad interior.
6. Apriete la tuerca abocardada con doble llave de boca. (Fig. 3-9)
Fuerza de apriete: 68 a 82 N•m, 49~59ft lbs
7. Coloque la tuerca de carga ⑤ en la parte de la junta lateral del tubo de líquido y compruebe si hay fugas en la parte de conexión del tubo de conexión en L ④. Retire la tuerca de carga ⑤ tras terminar el trabajo.
Fuerza de apriete: 34 a 42 N•m, 25~30ft lbs
8. Cubra la parte de conexión abocinada con la cubierta del tubo de conexión en L ④ para que no se quede desprotegida. (Fig. 3-10)

3. Instalación de la unidad interior

Comprobación de fugas de la parte de conexión del tubo de conexión en L

1. Coloque la tuerca de carga ⑤ en la parte de la junta lateral del tubo de líquido. Fuerza de apriete: 34 a 42 N•m, 25~30ft lbs
2. Presurice introduciendo gas nitrógeno desde la tuerca de carga. No presurice de golpe a la presión constante actual. Presurice gradualmente.
 - 1) Presurice a 0,5 MPa, 73 PSIB espere cinco minutos y compruebe que la presión no se ha reducido.
 - 2) Presurice a 1,5 MPa, 218 PSIB espere cinco minutos y compruebe que la presión no se ha reducido.
 - 3) Presurice a 4,15 MPa, 606 PSIB y tome la temperatura ambiental y la presión del refrigerante.
3. Si la presión especificada se mantiene estable durante un día y no se reduce, las tuberías han pasado la prueba y no existe riesgo de fugas.
 - Si la temperatura ambiental cambia 33,8°F, la presión variará unos 0,01 MPa, 1,5 PSIB. Haga las correcciones necesarias.
4. Si la presión se reduce en los pasos (2) o (3), hay una fuga de gas. Busque el punto de fuga del gas.

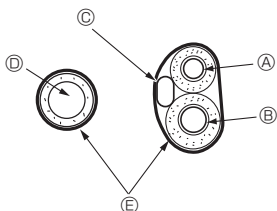


Fig. 3-11

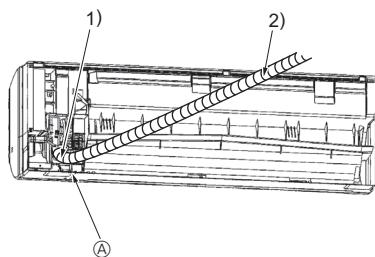


Fig. 3-12

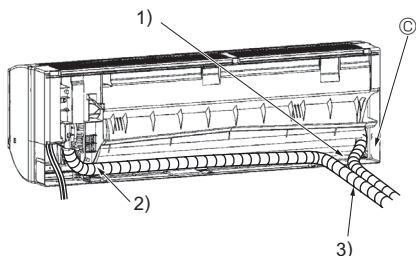
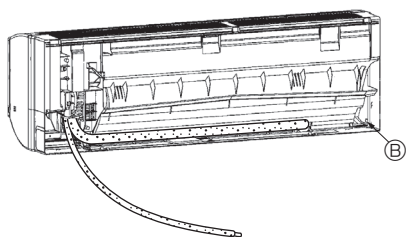


Fig. 3-13

Extracción y procesamiento de las tuberías y el cableado (Fig. 3-11)

1. Conexión del cableado interior/exterior → Consulte la página 37.
2. Envuelva con cinta de fieltro ③ la zona de las tuberías de refrigerante y la manguera de drenaje que se alojará dentro del espacio para tuberías de la unidad interior.
 - Envuelva firmemente con cinta de fieltro ③ desde la base de las tuberías de refrigerante y de la manguera de drenaje.
 - Solape la cinta de fieltro ③ sobre la mitad de la anchura de la cinta.
 - Fije la parte final de la envoltura con cinta de vinilo.
3. Procure no levantar la manguera de drenaje y que no se produzca contacto con el cuerpo de la caja de la unidad interior. No tire de la manguera de drenaje a la fuerza, porque podría salirse.

Tuberías de la parte posterior e inferior (Fig. 3-12)

- 1) Procure no levantar la manguera de drenaje y que no se produzca contacto con el cuerpo de la caja de la unidad interior. Disponga la manguera de drenaje en el lado inferior de las tuberías y envuélvala con cinta de fieltro ③.
- 2) Envuelva firmemente con cinta de fieltro ③ empezando por la base. (Solape la cinta de fieltro sobre la mitad de la anchura de la cinta.)
 - ⓐ Corte para tuberías de la parte inferior.

Tuberías de la parte izquierda y posterior izquierda (Fig. 3-13)

4. Reinstalación de la manguera de drenaje → Consulte 5. Tubería de drenaje. Asegúrese de volver a colocar la manguera de drenaje y la tapa de drenaje para las tuberías de la parte izquierda y posterior izquierda. Pueden producirse goteos si olvida instalar o no vuelve a colocar estas piezas.
 - ⓑ Tapa de drenaje
- 1) Procure no levantar la manguera de drenaje y que no se produzca contacto con el cuerpo de la caja de la unidad interior.
- 2) Envuelva firmemente con cinta de fieltro ③ empezando por la base. (Solape la cinta de fieltro sobre la mitad de la anchura de la cinta.)
- 3) Fije la parte final de la cinta de fieltro ③ con cinta de vinilo.
 - ⓒ Corte para tuberías de la parte izquierda.

3. Instalación de la unidad interior

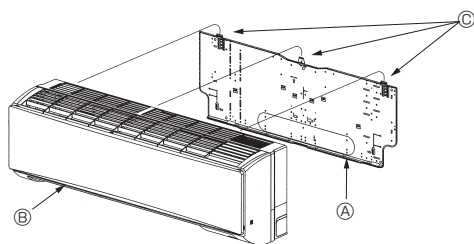


Fig. 3-14

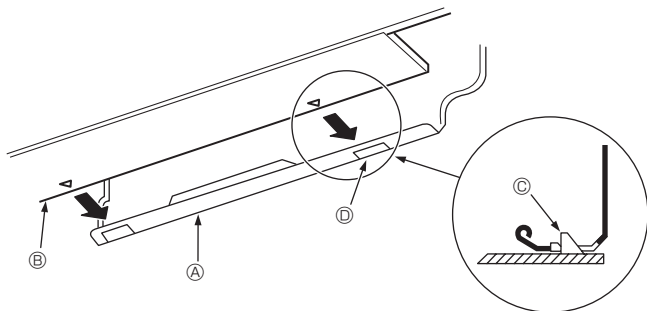


Fig. 3-15

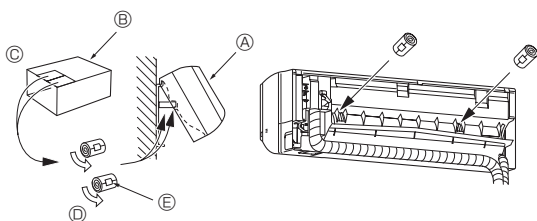


Fig. 3-16

3.5. Montaje de la unidad interior

1. Fije la placa de montaje ① en la pared.
2. Cuelgue la unidad interior en el gancho que está colocado en la parte superior de la placa de montaje.

Tuberías de la parte posterior e inferior (Fig. 3-14)

3. Al introducir las tuberías de refrigerante y la manguera de drenaje en el orificio de penetración en la pared (manguito de penetración), cuelgue la parte superior de la unidad interior en la placa de montaje ①.
 4. Mueva la unidad interior a izquierda y derecha, y asegúrese de que esté colgada firmemente.
 5. Fije la unidad en la placa de montaje ① empujando la parte inferior de la unidad. (Fig. 3-15)
- * Asegúrese de que los tiradores de la parte inferior de la unidad interior estén bien enganchados en la placa de montaje ①.
6. Tras la instalación, compruebe que la unidad interior esté nivelada.

- ① Placa de montaje
- ② Unidad interior
- ③ Gancho
- ④ Orificio cuadrado

Tuberías de la parte izquierda y posterior izquierda (Fig. 3-16)

3. Al introducir la manguera de drenaje en el orificio de penetración en la pared (manguito de penetración), cuelgue la parte superior de la unidad interior en la placa de montaje ①.
- Teniendo en cuenta el alojamiento de las tuberías, mueva la unidad totalmente hacia la izquierda, corte parte del cartón de embalaje y forme con él un cilindro, tal como se ilustra en el diagrama. Engánchelo en el saliente de la superficie posterior a modo de pieza distanciadora y levante la unidad interior.
4. Conecte las tuberías de refrigerante con las tuberías de refrigerante locales.
 5. Fije la unidad en la placa de montaje ① empujando la parte inferior de la unidad.
- * Asegúrese de que los tiradores de la parte inferior de la unidad interior estén bien enganchados en la placa de montaje ①.
6. Tras la instalación, compruebe que la unidad interior esté nivelada.

- ① Unidad interior
- ② Cartón de embalaje
- ③ Cortar
- ④ Formar un cilindro
- ⑤ Fijar con cinta adhesiva

4. Instalación de los tubos del refrigerante

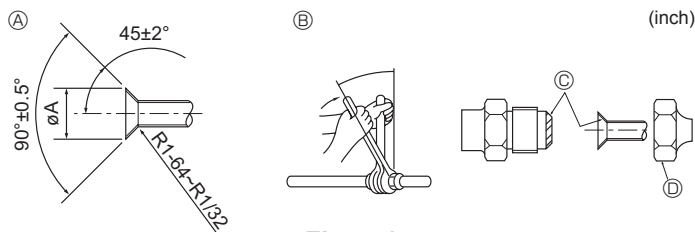


Fig. 4-1

4.1. Precauciones

4.1.1. Para aparatos con refrigerante R410A

- Utilice aceite de éster, de éter o alquilobenceno (en pequeñas cantidades) para recubrir las secciones abocardadas.
- Utilice tubos de cobre fosforoso del tipo C1220 y tubos de aleación de cobre sin costuras para conectar los tubos del refrigerante. Utilice tuberías para refrigerante del grosor especificado en la tabla siguiente. Asegúrese de que el interior de las tuberías está limpio y que no contienen ningún contaminante nocivo como compuestos sulfúricos, oxidantes, restos o polvo.

⚠ Atención:

Cuando instale, mueva o revise el equipo de aire acondicionado, utilice solo el refrigerante indicado (R410A) para cargar los tubos del refrigerante. No lo mezcle con otro tipo de refrigerante y vacíe completamente de aire los tubos. Si el aire se mezcla con el refrigerante, podría producir una tensión anormalmente alta en el tubo del refrigerante y ocasionar una explosión u otros peligros. Usar un refrigerante distinto al indicado para el sistema provocará un fallo mecánico, un funcionamiento defectuoso del sistema o la avería de la unidad. En el peor de los casos, podría suponer un grave impedimento para garantizar la seguridad del producto.

	A24, A30, A36
Tubo de líquido	Ø9,52 mm, 3/8 inch grosor 0,8 mm, 1/32 inch
Tubo de gas	Ø15,88 mm, 5/8 inch grosor 1,0 mm, 3/64 inch

- No utilice tubos con un grosor menor del especificado a continuación.

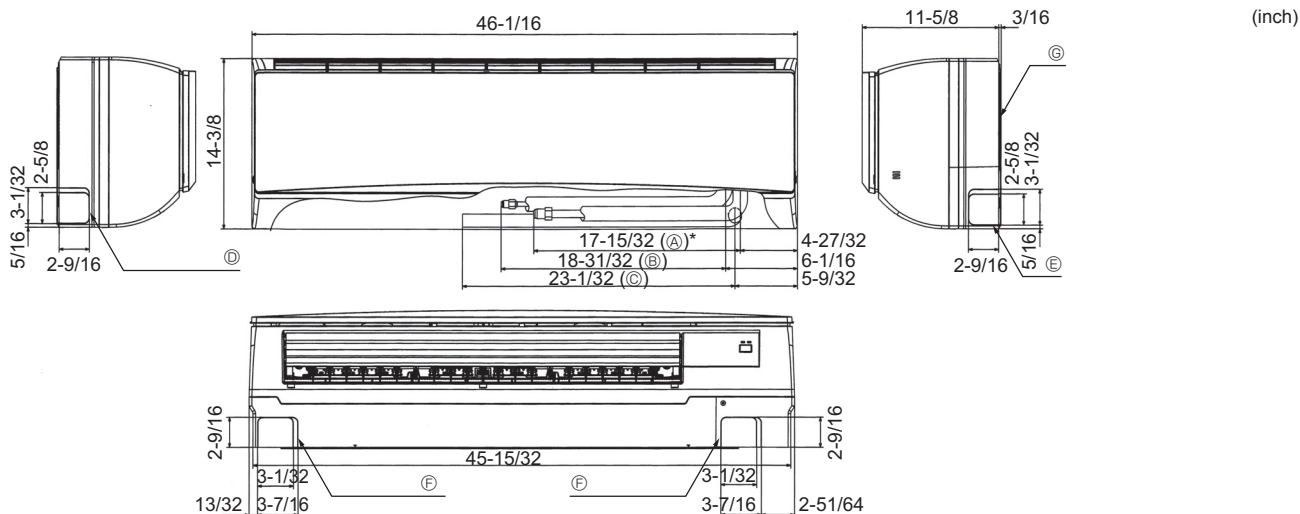


Fig. 4-2

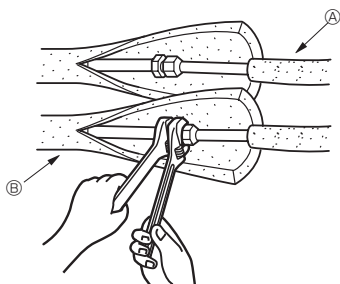


Fig. 4-3

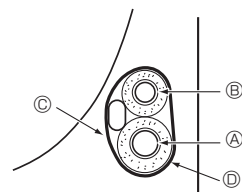


Fig. 4-4

4.2. Tubos de conexión (Fig. 4-1)

- Si se utilizan tubos de cobre convencionales, envuelva los tubos de gas y líquido con materiales aislantes (resistente al calor hasta 100 °C, 212 °F o más, espesor de 12 mm, 1/2 inch o más).
- Las piezas interiores del tubo de drenaje tienen que estar envueltas en materiales aislantes de espuma de polietileno (gravedad específica de 0,03 y espesor de 9 mm, 23/64 inch o más).
- Aplique una capa delgada de aceite refrigerante a la superficie tubo y de la junta de asiento antes de apretar la tuerca de abocardado.
- Utilice dos llaves de apriete para apretar las conexiones de los tubos.
- Utilice el aislante de tubería de refrigerante suministrado para aislar las conexiones de la unidad interior. Realice los aislamientos con cuidado.

Ⓐ Dimensiones del corte abocinado

Diám. ext. tubo de cobre (mm, inch)	Dimensiones de abocinado Dimensiones ØA (mm, inch)
Ø9,52, 3/8"	12,8 - 13,2, 1/2-33/64
Ø15,88, 5/8"	19,3 - 19,7, 49/64-25/32

Ⓑ Torsión de apriete de la tuerca abocardada

Diám. ext. tubo de cobre (mm, inch)	Diám. ext. tuerca de abocardado (mm, inch)	Par de apriete (N-m, ft-lbs)
Ø9,52, 3/8"	22, 7/8	34 - 42, 25-30
Ø15,88, 5/8"	29, 1-9/64	68 - 82, 49-59

- Aplique aceite refrigerante para máquinas sobre toda la superficie de las partes roscadas.

- Utilice tuercas abocardadas que coincidan con el tamaño de las tuberías de la unidad exterior.

4.3. Colocación de los tubos del refrigerante y de drenaje (Fig. 4-2)

- Ⓐ Tubo de gas * Indica el estado con los accesorios montados.
- Ⓑ Tubo de líquido
- Ⓒ Manguera de drenaje
- Ⓓ Orificio ciego para las tuberías del lado izquierdo
- Ⓔ Orificio ciego para las tuberías del lado derecho
- Ⓕ Orificio ciego para las tuberías de la parte inferior
- Ⓖ Placa de montaje

4.4. Trabajo de instalación de la tubería del refrigerante (Fig. 4-3)

Unidad interior

1. Saque la tuerca de mariposa y la tapa de la unidad interior.
2. Efectúe un ensanchamiento para la tubería de líquido y la tubería de gas y aplique aceite refrigerante (que puede obtener a través de su proveedor local) en la superficie de la lámina de mariposa.
3. Conecte rápidamente los tubos de refrigerante existentes en la unidad.
4. Envuelva la tapa que está colocada en el tubo de gas y asegúrese de que la unión de la conexión no quede visible.
5. Envuelva la tapa del tubo de líquido de la unidad y asegúrese de que cubra el material aislante del tubo de líquido existente.
6. La parte en que se junta el material aislante se sella con cinta.

Ⓐ Tuberías de refrigerante locales

Ⓑ Tuberías de refrigerante de la unidad

4.4.1. Alojamiento en el espacio para tuberías de la unidad (Fig. 4-4)

1. Envuelva con la cinta de fieltro suministrada la zona de las tuberías de refrigerante que se alojará dentro del espacio para tuberías de la unidad para evitar goteos.
2. Solape la cinta de fieltro sobre la mitad de la anchura de la cinta.
3. Fije la parte final de la envoltura con cinta de vinilo, etc.

Ⓐ Tubo de gas

Ⓑ Tubo de líquido

Ⓒ Cable de conexión interior/exterior

Ⓓ Cinta de fieltro Ⓝ

5. Tubería de drenaje

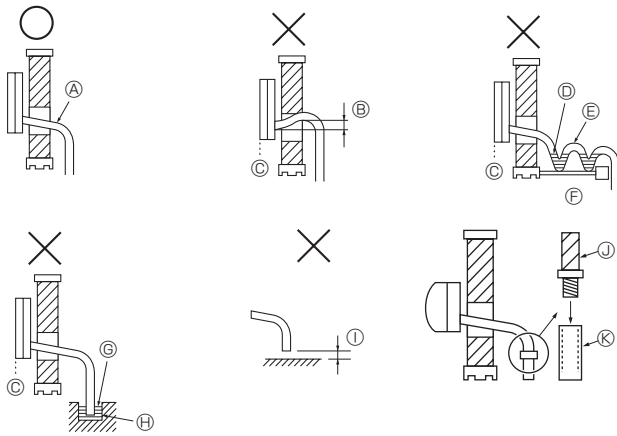


Fig. 5-1

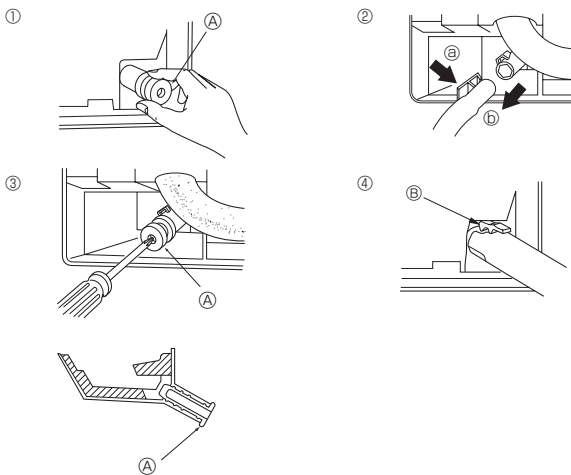


Fig. 5-2

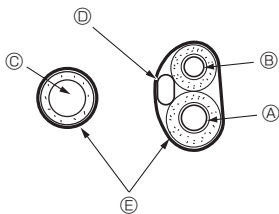


Fig. 5-3

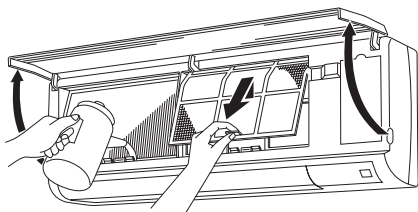


Fig. 5-4

5.1. Tubería de drenaje (Fig. 5-1)

- Los tubos de drenaje deben tener una inclinación de 1/100 o más.
- Para alargar la tubería de drenaje utilice una manguera blanda (diámetro interior: 15 mm, 19/32 inch) disponible en tiendas especializadas o una tubería dura de cloruro de vinilo (VP-16 mm, 5/8 inch/O.D. ø22 mm, ø55/64 inch TUBO PVC). Asegúrese de que no se producen fugas de agua en las conexiones.
- No ponga la tubería de drenaje directamente en una zanja de desagüe donde se pueda generar gas sulfúrico.
- Cuando haya terminado de trabajar en las tuberías, asegúrese de que el agua circula desde el final de la tubería de drenaje.

⚠ Cuidado:

El tubo de drenaje se instalará de acuerdo con el Manual de Instalación para garantizar el drenaje correcto. El aislamiento térmico de los tubos de drenaje es necesario para evitar la condensación. Si los tubos de drenaje no se instalan y se aíslan correctamente, la condensación puede gotear por el techo, el suelo u otras propiedades.

- (A) Inclinado hacia abajo
- (B) Debe estar más abajo que el punto de salida
- (C) Fuga de agua
- (D) Drenaje atascado
- (E) Aire
- (F) Ondulado
- (G) El extremo del tubo de drenaje está bajo el agua.
- (H) Canaleta de drenaje
- (I) 5 cm o menos entre el extremo del tubo de drenaje y el suelo.
- (J) Manguera de drenaje
- (K) Manguera blanda de PVC (diámetro interior 15 mm, 19/32 inch) o tubo rígido de PVC (VP-16 mm, 5/8 inch)
- * Unido con adhesivo de tipo PVC

Preparación de la tubería izquierda y posterior izquierda (Fig. 5-2)

- 1 Saque la tapa de drenaje.
 - 2 Saque la tubería de drenaje sujetando la parte que sobresale del extremo del tubo y tirando.
 - 3 Introduzca la tapa de drenaje.
 - 4 Introduzca un destornillador u objeto similar en el orificio del extremo del tubo y asegúrese de que empuja la base de la tapa de drenaje.
 - 5 Introduzca la manguera de drenaje.
 - 6 Empuje la manguera de drenaje hasta que se encuentre en la base de la salida de la conexión de la caja de drenaje.
 - 7 Asegúrese de que el gancho de la manguera de drenaje esté debidamente ajustado sobre la salida de conexión de la caja de drenaje troquelada.
- (A) Tapa de drenaje
 - (B) Ganchos

◆ Alojamiento en el espacio para tuberías de la unidad interior (Fig. 5-3)

- * Cuando la manguera de drenaje se haga pasar al interior, asegúrese de envolverla con material aislante de venta en comercios.
- * Junte la manguera de drenaje y las tuberías de refrigerante, y envuélvalas con la cinta de fieltro ③ suministrada.
- * Solape la cinta de fieltro ③ sobre la mitad de la anchura de la cinta.
- * Fije la parte final de la envoltura con cinta de vinilo, etc.

- (A) Tubo de gas
- (B) Tubo de líquido
- (C) Manguera de drenaje
- (D) Cableado de conexión interior/exterior
- (E) Cinta de fieltro ③

◆ Comprobación del drenaje (Fig. 5-4)

1. Abra la rejilla frontal y extraiga el filtro.
2. De cara a las aletas del intercambiador de calor, añada agua despacio.
3. Tras la comprobación del drenaje, coloque el filtro y cierre la rejilla.

6. Trabajo eléctrico

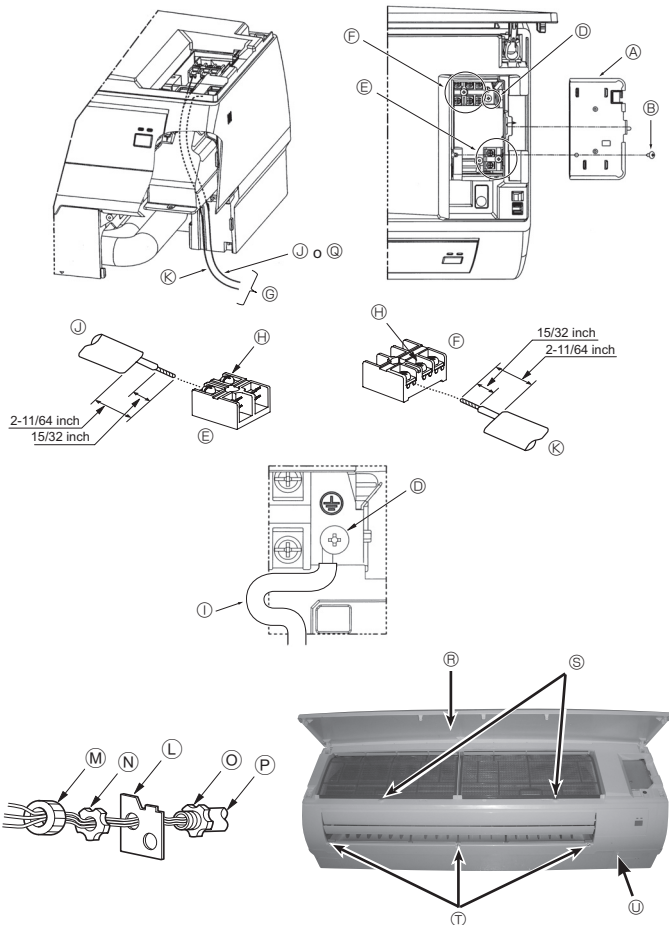


Fig. 6-1

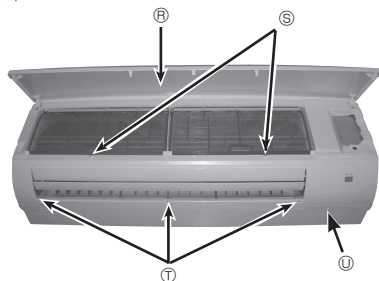


Fig. 6-2

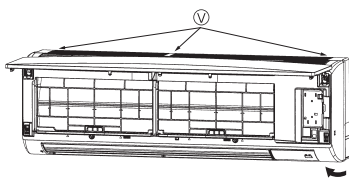


Fig. 6-3

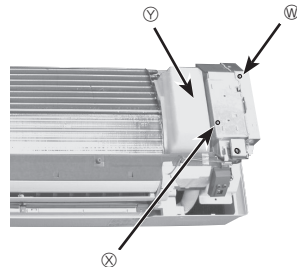


Fig. 6-4

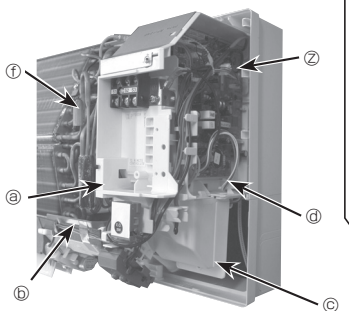


Fig. 6-5

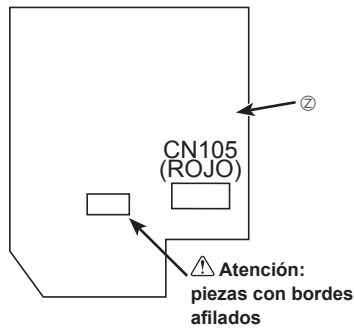


Fig. 6-6

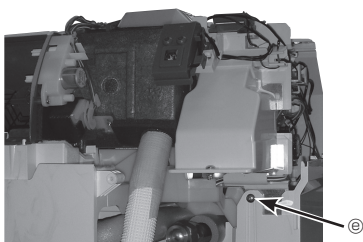


Fig. 6-7

(Mire la parte inferior)

6.1. Unidad interior (Fig. 6-1)

La conexión se puede realizar sin quitar el panel frontal.

1. Abra la rejilla frontal, retire el tornillo (1 unidad) y quite la cubierta de las piezas eléctricas.
 2. Conecte firmemente cada cable al bloque de terminales.
- * Teniendo en cuenta los trabajos de mantenimiento, deje una longitud extra para cada uno de los cables.
- * Tenga cuidado cuando utilice cables trenzados, porque las barbas pueden hacer que el cable se cortocircuite.
3. Vuelva a instalar las piezas retiradas en su estado original.

- A Cubierta de la caja eléctrica
- B Tornillo de fijación
- D Parte de conexión del cable a tierra
- F Bloque de terminales de conexión interior/externo: S1, S2, y S3, con polaridad
- G Cable
- H Tornillo del terminal
- I Cable a tierra: Conectar el cable a tierra en el sentido ilustrado en el diagrama.
- K Cable de conexión interior/externo
- L Placa de conducción
- M Casquillo (adquirido localmente)
- N Contratuercas (adquirida localmente)
- O Conector (adquirido localmente)
- P Conducto (adquirido localmente)

Sólo para el controlador remoto cableado

- E Placa de bornes del control remoto cableado: 1 y 2, no tienen polaridad.
- H Tornillo del terminal
- J Cable del control remoto cableado

Sólo para la interfaz de radiofrecuencia

- Q Cable de la interfaz de radiofrecuencia

■ Para la interfaz de radiofrecuencia

1. Presione y suelte los tiradores a ambos lados de la rejilla frontal y levante la rejilla hasta que quede a nivel. Tire de los goznes hacia delante para extraer la rejilla frontal. (Fig. 6-2)
2. Retire los 3 cubretornillos del panel. Retire 5 tornillos. (Fig. 6-2)
3. Suelte 3 ganchos. (Fig. 6-3)
4. Sujete el panel por los extremos inferiores y tire ligeramente hacia usted; a continuación, extraiga el panel empujándolo hacia arriba.
5. Retire las cubiertas frontal y lateral de la caja eléctrica (1 tornillo cada una). (Fig. 6-4)
6. Quite el corte de agua. (Fig. 6-4)
7. Extraiga el tornillo de la cubierta angular. (Fig. 6-2)
Extraiga la cubierta angular.
8. Retire la guía del cable. (Fig. 6-5)
9. Extraiga el tornillo de la caja eléctrica. (Fig. 6-7)
10. Quite el termistor de la tubería de líquido (TH2). (Fig. 6-5)
11. Desprenda parcialmente la cinta del motor de paletas y afloje el cable. (Fig. 6-5)
12. Afloje el cable del motor del ventilador. (Fig. 6-5)
13. Extraiga la caja eléctrica tirando hacia usted.
14. Conecte firmemente el cable eléctrico de la interfaz de radiofrecuencia al conector CN105 (ROJO) del panel del controlador interior. (Fig. 6-6)
15. Vuelva a colocar las piezas que había retirado.

- R Rejilla frontal
- S Tornillos
- T Tornillos y cubretornillos
- U Tornillo de la cubierta
- V Ganchos
- W Tornillo de la cubierta de la caja eléctrica (lateral)
- X Tornillo de la cubierta de la caja eléctrica (frontal)
- Y Corte de agua
- Z Panel del controlador interior (I.B)
- A Caja eléctrica
- B Cable conductor del motor de paletas
- C Guía del cable
- D Cable conector del motor del ventilador
- E Tornillo de la caja eléctrica
- F Termistor de la tubería de líquido (TH2)

⚠ Advertencia:

Tenga mucho cuidado de no cortarse las manos con las piezas de bordes afilados o con la superficie plana de la caja. El panel del controlador interior contiene algunas piezas con bordes afilados.

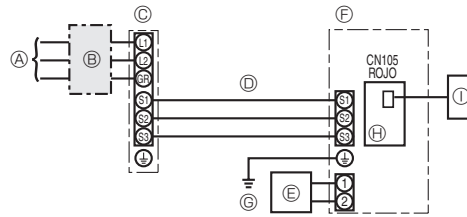
6. Trabajo eléctrico

6.1.1. Alimentación de la unidad interior suministrada por la unidad exterior (aplicación A-control)

Están disponibles los siguientes patrones de conexión.

Los patrones de la fuente de alimentación de la unidad exterior varían en función del modelo.

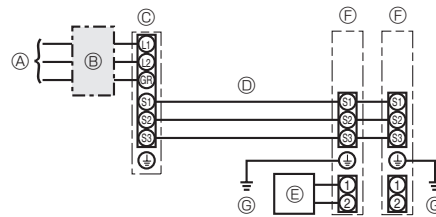
Sistema 1:1



- Ⓐ Alimentación de la unidad exterior
- Ⓑ Disyuntor de cableado o interruptor aislante
- Ⓒ Unidad exterior
- Ⓓ Cables de conexión de la unidad interior/ unidad exterior
- Ⓔ Controlador remoto cableado
- Ⓕ Unidad interior
- Ⓖ Cable a tierra de la unidad interior
- Ⓗ Panel del controlador interior
- Ⓘ Interfaz de radiofrecuencia para el termostato de radiofrecuencia

* Coloque una de las etiquetas A incluidas con los manuales cerca de cada esquema de cableado de las unidades interiores y exterior.

Sistema doble/triple/cuádruple simultáneo



- Ⓐ Alimentación de la unidad exterior
- Ⓑ Disyuntor de cableado o interruptor aislante
- Ⓒ Unidad exterior
- Ⓓ Cables de conexión de la unidad interior/ unidad exterior
- Ⓔ Controlador remoto cableado
- Ⓕ Unidad interior
- Ⓖ Cable a tierra de la unidad interior
- Sólo para el controlador remoto cableado.

* Coloque una de las etiquetas A incluidas con los manuales cerca de cada esquema de cableado de las unidades interiores y exterior.

Modelo de la unidad interior	PKA-A-KA6		
Amperaje mínimo del circuito	1A		
Capacidad máxima del dispositivo de protección contra sobrecorriente	15A		
Cableado Cable n° x tamaño	Unidad interior-unidad exterior	*1	3 × AWG16 (Polar)
	Cable a tierra de la unidad interior		1 × Min. AWG16
Rango del circuito	Controlador remoto cableado-Unidad interior	*2	2 × AWG22, no blindados
	Unidad interior-unidad exterior S1-S2	*3	208/230 V CA
	Unidad interior-unidad exterior S2-S3	*3	24 V CC
	Controlador remoto cableado-Unidad interior	*3	12 V CC

*1. Máx. 50 m, 165ft

*2. El cable de 3 m/10 ft se suministra con el accesorio del controlador remoto cableado. Máx. 500 m, 1640ft Sólo para PKA-A-KA6

*3. Los valores NO siempre se aplican a la toma a tierra.

El terminal S3 dispone de 24V CC frente al terminal S2. Entre S3 y S1, estos terminales no están aislados eléctricamente por el transformador u otro dispositivo.

- Notas:**
1. El diámetro de los cables debe cumplir la normativa local y nacional.
 2. Utilice cables de cobre.
 3. Utilice cables con un régimen nominal de 300 V o superior para los cables de la fuente de alimentación y los cables de conexión de las unidades interior/exterior.
 4. Instale un cable de toma de tierra más largo que el resto de los cables.

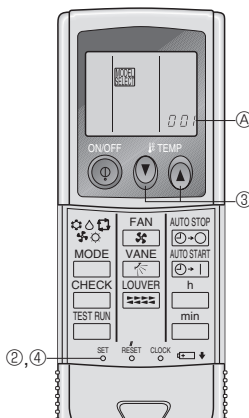


Fig. 6-8

6.2. Control remoto

6.2.1. Para el controlador remoto cableado

1) Ajuste de dos controladores remotos

Si hay dos controladores remotos conectados, ajuste uno como "principal" y el otro como "subordinado". Para conocer los procedimientos de ajuste, consulte "Selección de función" en el manual de instrucciones de la unidad interior.

6.2.2. Para el controlador remoto inalámbrico por infrarrojos

1) Preparación inicial (Fig. 6-8)

- ① Introduzca las pilas.
- ② Pulse el botón SET con algún objeto puntiagudo.
El mensaje parpadea y se resalta el número de modelo (Model No.).
- ③ Pulse el botón para seleccionar el número de modelo.
- ④ Pulse el botón SET con algún objeto puntiagudo.
Los datos y el número de modelo se iluminan durante tres segundos y a continuación desaparecen.

PKA (A24, A30, A36)	modelos con bomba de calor	002
	modelos sólo con refrigeración	034

6. Trabajo eléctrico

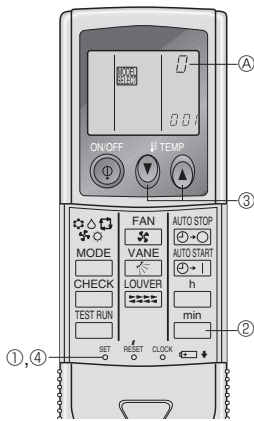


Fig. 6-9

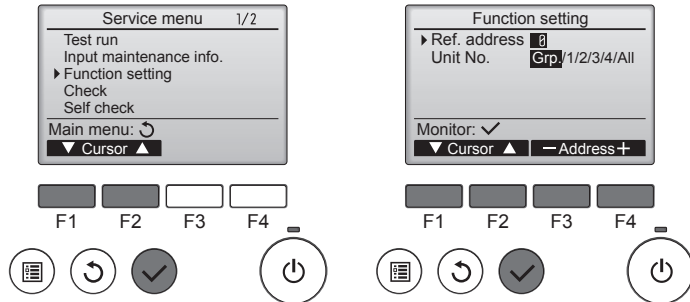


Fig. 6-10

Fig. 6-11

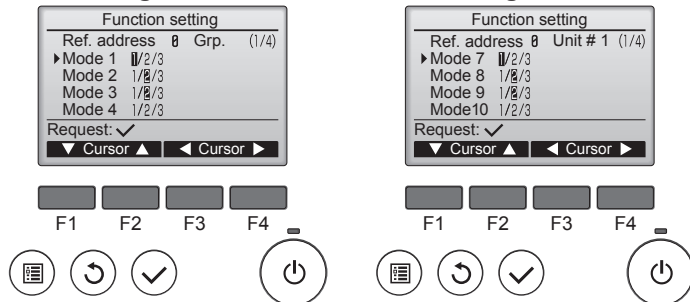


Fig. 6-12

Fig. 6-13

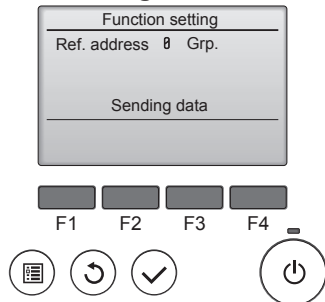


Fig. 6-14

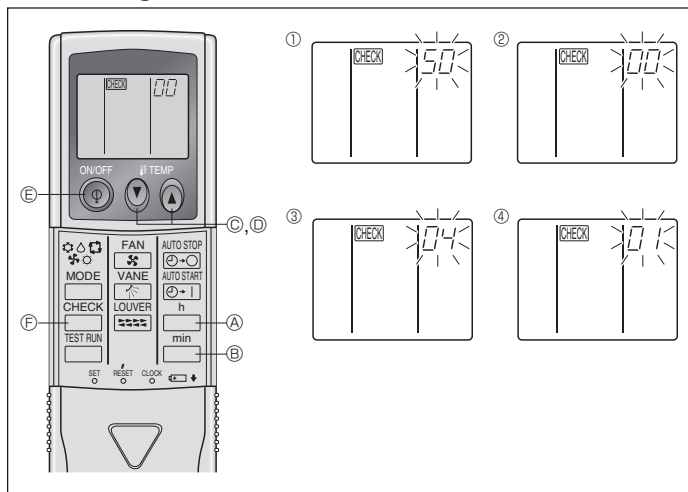


Fig. 6-15

2) Asignación de un controlador remoto inalámbrico por infrarrojos a cada unidad

Cada unidad responderá sólo a las señales del controlador remoto inalámbrico por infrarrojos asignado.

Ceróiese de que cada controlador remoto inalámbrico por infrarrojos tenga el mismo código que la unidad interior que debe gobernar.

3) Operación de ajuste del número de par del controlador remoto inalámbrico por infrarrojos (Fig. 6-9)

- ① Pulse el botón SET con algún objeto puntiagudo. Inicie esta operación cuando la pantalla del controlador remoto inalámbrico por infrarrojos esté apagada. El mensaje parpadeará y se iluminará el número de modelo (Model No.)
- ② Pulse el botón dos veces seguidas. El número "0" parpadeará.
- ③ Pulse el botón temp para seleccionar el número del par deseado.
- ④ Pulse el botón SET con algún objeto puntiagudo. El número del par seleccionado se enciende durante tres segundos y luego se apaga.

④ Número de par del controlador remoto inalámbrico por infrarrojos	Tarjeta PC interior
0	Ajuste de fábrica
1	Cut J41
2	Cut J42
3-9	Cut J41, J42

6.3. Ajuste de funciones

6.3.1. Ajuste de funciones en la unidad (selección de funciones de la unidad)

1) Para el controlador remoto cableado

- ① (Fig. 6-10)
 - Seleccione "Service" (Revisión) desde el Menú principal, y pulse el botón [ACEPTAR].
 - Seleccione "Function settings" (Configuración de funciones) con el botón [F1] o [F2], y pulse el botón [ACEPTAR].
- ② (Fig. 6-11)
 - Establezca las direcciones del refrigerante de la unidad interior y los números de unidad con los botones [F1] a [F4] y luego pulse el botón [ACEPTAR] para confirmar el ajuste actual.

<Comprobar la Unidad interior n°>

Cuando se pulse el botón [ACEPTAR], empezará a funcionar el ventilador de la unidad interior. Si la unidad es común o si están funcionando todas las unidades, empezará a funcionar el ventilador de todas las unidades interiores para la dirección de refrigerante seleccionada.

- ③ (Fig. 6-12)
 - Una vez completada la recopilación de datos de las unidades interiores, aparecen resaltados los ajustes actuales. Los elementos sin resaltar indican que no se ha realizado ninguna configuración de funciones. El aspecto de la pantalla varía en función de la configuración de "N° Unid".
- ④ (Fig. 6-13)
 - Utilice el botón [F1] o [F2] para mover el cursor y seleccionar el número de modo, y cambie el número de ajuste con el botón [F3] o [F4].
- ⑤ (Fig. 6-14)
 - Una vez completados los ajustes, pulse el botón [ACEPTAR] para enviar los datos de configuración del controlador remoto a las unidades interiores.
 - Una vez completada la transmisión, se volverá a la pantalla Configuración de funciones.

2) Para el controlador remoto inalámbrico por infrarrojos (Fig. 6-15)

Cambio del ajuste de voltaje de alimentación

- Asegúrese de cambiar el ajuste de voltaje de alimentación de acuerdo al voltaje que utilice.

- ① Vaya al modo de selección de función

Pulse el botón dos veces seguidas.

(Inicie este funcionamiento con la pantalla del controlador remoto inalámbrico por infrarrojos apagada).

se enciende y "00" parpadea.

Pulse el botón TEMP una vez para seleccionar "50". Dirija el controlador remoto inalámbrico por infrarrojos hacia el receptor de la unidad interior y presione el botón A.

- ② Configuración del número de unidad

Pulse el botón TEMP y para seleccionar el número de unidad "00". Dirija el controlador remoto inalámbrico por infrarrojos hacia el receptor de la unidad interior y presione el botón B.

- ③ Cómo seleccionar un modo

Introduzca 04 para cambiar la tensión de alimentación mediante los botones y . Dirija el controlador remoto inalámbrico por infrarrojos hacia el receptor de la unidad interior y presione el botón A.

Número de configuración en uso: 1 = 1 pitido (un segundo)
2 = 2 pitidos (de un segundo cada uno)
3 = 3 pitidos (de un segundo cada uno)

- ④ Selección del número de ajuste

Cambie la tensión de alimentación a 01 (230 V) mediante los botones y . Dirija el controlador remoto inalámbrico por infrarrojos hacia el receptor de la unidad interior y presione el botón A.

⑤ Para seleccionar múltiples funciones sucesivamente Repita los pasos ③ y ④ para cambiar de manera sucesiva la configuración de funciones múltiples.

- ⑥ Para seleccionar la función completa

Dirija el controlador remoto inalámbrico por infrarrojos hacia el receptor de la unidad interior y presione el botón E.

Nota:

Cada vez que se realicen cambios en los ajustes de función después de la instalación o mantenimiento, asegúrese de anotar los cambios con un cruz en la columna "Ajuste" de la tabla de funciones.

6.3.2 Ajuste de las funciones del controlador remoto

Para obtener información sobre el manejo del controlador remoto, consulte el manual de instrucciones correspondiente incluido con cada controlador remoto.

6. Trabajo eléctrico

Tabla de funciones

Seleccione el número de unidad 00

Modo	Ajustes	Núm. de modo.	Núm. de ajuste	Configuración inicial	Ajuste
		Controlador remoto cableado (Termostato de radiofrecuencia)			
Recuperación automática de fallo de alimentación	No disponible		1		
	Disponible *1	01 (101)	2	○	
Detección de la temperatura de la sala	Media de funcionamiento de la unidad interior	02	1	○	
	Ajustada por el control remoto de la unidad interior	(-)	2		
	Sensor interno del control remoto cableado		3		
Conectividad LOSSNAY	No soportada	03	1	○	
	Soportada (la unidad interior no está equipada con entrada de aire del exterior)	(103)	2		
	Soportada (la unidad interior está equipada con entrada de aire del exterior)		3		
Voltaje de alimentación	230 V	04	1	○	
	208 V	(104)	2		

Seleccione los números de unidad 01 a 03 o todas las unidades (AL [controlador remoto alámbrico] / 07 [controlador remoto inalámbrico])

Modo	Ajustes	Núm. de modo.	Núm. de ajuste	Configuración inicial	Ajuste
		Controlador remoto cableado (Termostato de radiofrecuencia)			
Señalización de filtro	100 horas	07 (107)	1	○	
	2500 horas		2		
	Sin indicador de señalización del filtro		3		
Velocidad del ventilador	Silencioso	08 (108)	1	-	
	Normal		2	○	
	Techo alto		3	-	

*1 Cuando la corriente eléctrica vuelva a estar disponible, el aire acondicionado tardará 3 minutos en encenderse.

7. Prueba de funcionamiento

7.1. Antes de realizar las pruebas

- ▶ Después de la instalación de tubos y cables en las unidades interior y exterior, compruebe que no haya escapes de refrigerante, que no se haya aflojado ni la fuente de alimentación ni el cableado de control, que la polaridad no sea errónea y que no se haya desconectado ninguna fase de la alimentación.
- ▶ Utilice un megaohmímetro de 500 V para comprobar que la resistencia entre los bornes de alimentación y la tierra es como mínimo de 1,0 MΩ.

▶ No efectúe esta prueba en los bornes de los cables de control (circuito de bajo voltaje).

⚠ Atención:

No utilice el aire acondicionado si la resistencia de aislamiento es inferior a 1,0 MΩ. Resistencia del aislamiento.

7.2. Prueba de funcionamiento

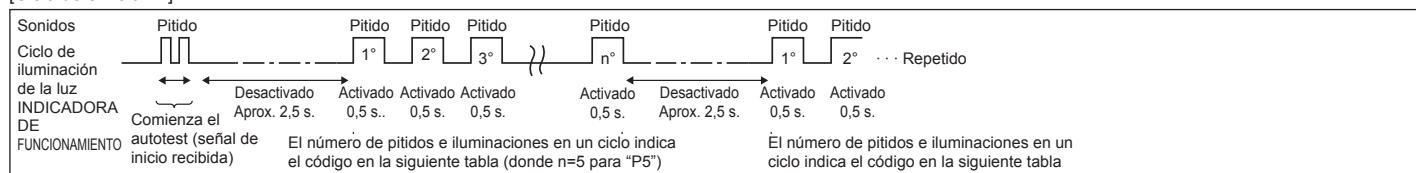
- Consulte el manual de instalación suministrado con cada controlador remoto para obtener más información.

7.3. Autotest

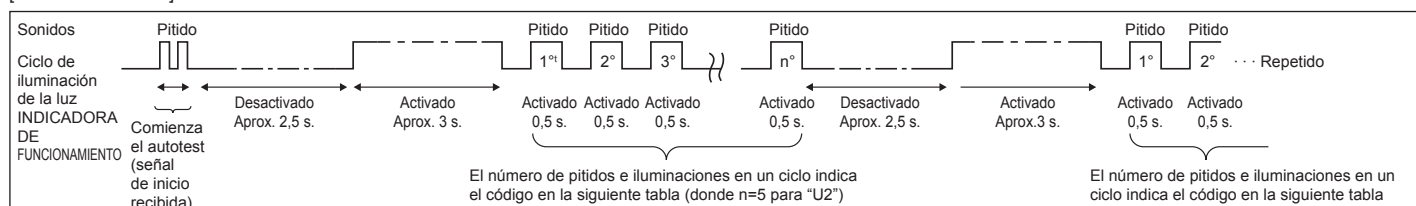
- Consulte el manual de instalación suministrado con cada controlador remoto para obtener más información.
- El termostato de radiofrecuencia no está establecido.

• Para más información sobre los códigos de comprobación, consulte las siguientes tablas. (controlador remoto inalámbrico por infrarrojos)

[Ciclo de emisión A]



[Ciclo de emisión B]



7. Prueba de funcionamiento

[Ciclo de emisión A] Errores detectados por la unidad interior

Controlador remoto inalámbrico por infrarrojos	Controlador remoto cableado Termostato de radiofrecuencia	Síntoma	Observaciones
Pitido/se ilumina la luz INDICADORA DE FUNCIONAMIENTO (número de veces)	Código de comprobación		
1	P1	Error del sensor de admisión	
2	P2, P9	Error del sensor del tubo (líquido o tubo de 2 fases)	
3	E6, E7	Error de comunicación con unidad interior/exterior	
4	P4	Conector del interruptor flotante CN4F abierto	
5	P5	Error de la bomba de drenaje	
	PA	Error forzado del compresor	
6	P6	Funcionamiento de seguridad por helada/sobrecalentamiento	
7	EE	Error de comunicación entre unidades interior y exterior	
8	P8	Error de temperatura del tubo	
9	E4	Error de recepción de señal del controlador remoto	
10	-	-	
11	-	-	
12	Fb	Error del sistema de control de la unidad interior (error de memoria, etc.)	
14	PL	Circuito de refrigerante anormal	
Sin sonido	----	No corresponde	

[Ciclo de emisión B] Errores detectados por una unidad distinta de la unidad interior (unidad exterior, etc.)

Controlador remoto inalámbrico por infrarrojos	Controlador remoto cableado Termostato de radiofrecuencia	Síntoma	Observaciones
Pitido/se ilumina la luz INDICADORA DE FUNCIONAMIENTO (número de veces)	Código de comprobación		
1	E9	Error de comunicación de la unidad interior/exterior (error de transmisión) (unidad exterior)	Para información detallada, compruebe la pantalla de LEDs del cuadro del controlador exterior.
2	UP	Interrupción del compresor por sobrecorriente	
3	U3, U4	Apertura/corte de termistores de la unidad exterior	
4	UF	Interrupción por sobrecorriente del compresor (si el compresor está bloqueado)	
5	U2	Temperatura de descarga anormalmente alta/49C funcionó/refrigerante insuficiente	
6	U1, Ud	Presión anormalmente alta (63H funcionó)/Funcionamiento de seguridad por sobrecalentamiento	
7	U5	Temperatura anormal del cuerpo de refrigeración	
8	U8	Parada de seguridad del ventilador de la unidad exterior	
9	U6	Interrupción del compresor por sobrecorriente/Anomalía en el módulo de alimentación	
10	U7	Anomalía de sobrecalentamiento debido a una baja temperatura de descarga	
11	U9, UH	Anomalía (tensión demasiado alta o baja, señal asincrónica anormal al circuito principal)/Error del sensor de corriente	
12	-	-	
13	-	-	
14	Otros	Otros errores (consulte el manual técnico de la unidad exterior).	

*1 Si tras los dos pitidos iniciales que confirman la recepción de la señal de inicio del autotest no hay más pitidos y la luz INDICADORA DE FUNCIONAMIENTO no se enciende, no habrá errores registrados.

*2 Si suenan tres pitidos consecutivos "piip, piip, piip (0,4 + 0,4 + 0,4 segundos)" tras los dos pitidos iniciales que confirman la recepción de la señal de inicio del autotest, la dirección de refrigerante especificada no es correcta.

- En el controlador remoto inalámbrico por infrarrojos
Se oye un pitido continuo desde la sección receptora de la unidad interior.
La luz de funcionamiento parpadea
- Controlador remoto cableado
Compruebe el código que aparece en la LCD.

• Si no se puede activar la unidad adecuadamente después de haberse llevado a cabo la ejecución de prueba, consulte la tabla siguiente para suprimir la causa.

Síntoma		Causa
Controlador remoto cableado	LED 1, 2 (tarjeta de circuito impreso en unidad exterior)	
PLEASE WAIT	Durante aproximadamente 2 minutos después del encendido.	Se iluminan los LED 1 y 2 y, a continuación, el LED 2 se apaga y sólo queda encendido el LED 1. (Funcionamiento correcto)
PLEASE WAIT → Código de error	Aproximadamente 2 minutos después de haber finalizado el encendido.	Sólo se ilumina el LED 1. → Los LED 1 y 2 parpadean.
NO aparecen mensajes en pantalla aunque se active el interruptor de funcionamiento (la luz de funcionamiento no se enciende).		Sólo se ilumina LED 1. → El LED 1 parpadea dos veces y el LED 2 una.

Si se cumple la condición anterior, en el controlador remoto inalámbrico por infrarrojos se producen las siguientes situaciones.

- No se acepta ninguna señal procedente del controlador remoto.
- La luz OPE parpadea.
- Se emite un pitido breve.

Nota:
No se puede utilizar durante aproximadamente 30 segundos después de cancelar la selección de funciones. (Funcionamiento correcto)

Para la descripción de cada uno de los LED (LED 1, 2, 3) de los controladores interiores, consulte la tabla siguiente.

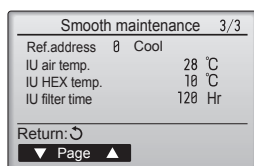
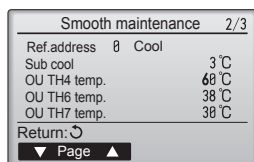
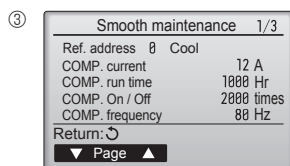
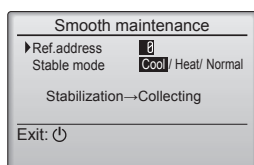
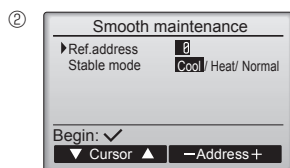
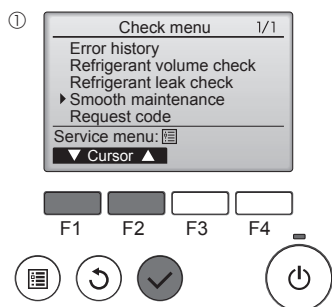
LED1 (alimentación para microordenador)	Indica si se suministra alimentación de control. Asegúrese de que este LED esté siempre encendido.
LED2 (alimentación para controlador remoto)	Indica si se suministra alimentación al controlador remoto. Este LED se enciende únicamente en caso de una unidad interior conectada a la dirección de refrigerante "0" de la unidad exterior.
LED3 (comunicación entre unidades interior y exterior)	Indica el estado de comunicación entre las unidades interior y exterior. Asegúrese de que este LED esté siempre parpadeando.

8. Función de mantenimiento fácil

Los datos de mantenimiento, como la temperatura del intercambiador de calor de la unidad interior/exterior y la corriente de funcionamiento del compresor, pueden visualizarse mediante el "Smooth maintenance" (mantenimiento suave).

* No puede ejecutarse durante la prueba de funcionamiento.

* Según la combinación con la unidad exterior, esta función puede no ser compatible con algunos modelos.



- Seleccione "Service" (Revisión) desde el Main menu (Menú principal), y pulse el botón [ACEPTAR].
- Seleccione "Check" (Comprobación) con el botón [F1] o [F2], y pulse el botón [ACEPTAR].
- Seleccione "Smooth maintenance" (mantenimiento suave) con el botón [F1] o [F2], y pulse el botón [ACEPTAR].

Seleccione cada uno de los elementos

- Seleccione el elemento que desea cambiar con el botón [F1] o [F2].
- Seleccione el ajuste correspondiente con el botón [F3] o [F4].
 Ajuste "Ref. address" (Codificación) "0" - "15"
 Ajuste "Stable mode" (Modo estable) "Cool" (Frío) / "Heat" (Calor) / "Normal"
- Pulse el botón [ACEPTAR], con lo que se iniciará el funcionamiento fijo.
- * Stable mode (Modo estable) se prolongará durante unos 20 minutos.

Aparecerán los datos de funcionamiento.

El tiempo de funcionamiento acumulado del compresor ("COMP. run" (Func. COMP.)) se expresa en unidades de 10 horas, y el número de veces que se ha puesto en funcionamiento el compresor ("COMP. On/Off" (COMP. encendido/apagado)) se expresa en unidades de 100 veces (se omiten las fracciones)

Navegación por las pantallas	
• Para volver al Menú principal.....	Botón [MENÚ]
• Para volver a la pantalla anterior	Botón [VOLVER]

This product is designed and intended for use in the residential,
commercial and light-industrial environment.

Please be sure to put the contact address/telephone number on
this manual before handing it to the customer.