

PARTS CATALOG

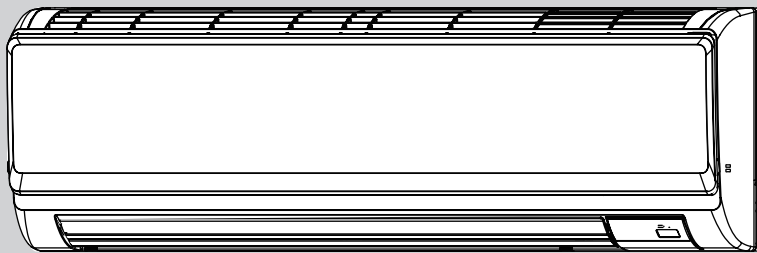
Series PKA Wall Mounted

R410A

Indoor unit
[Model Name] [Service Ref.]

PKA-A12HA7	PKA-A12HA7
PKA-A18HA7	PKA-A18HA7

Note:
• RoHS compliant products have <G> mark on the spec name plate.

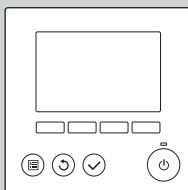


INDOOR UNIT

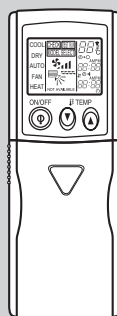
CONTENTS

- 1. RoHS PARTS LIST 2
- 2. OPTIONAL PARTS..... 6

SERVICE MANUAL (OCH637)



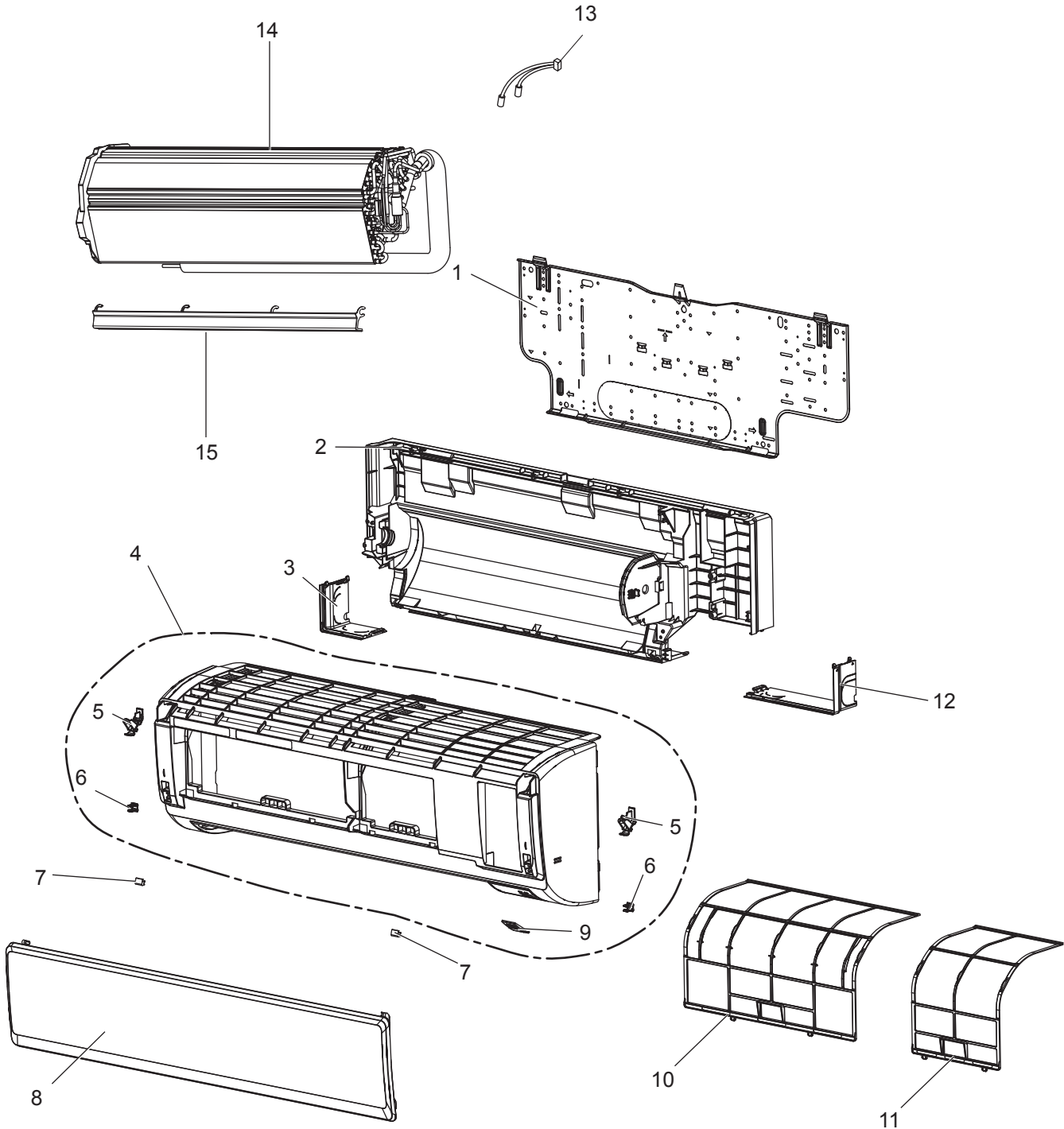
WIRED REMOTE
CONTROLLER
(Option)



IR WIRELESS REMOTE
CONTROLLER (Option)

Mr. SLIM

PANEL AND HEAT EXCHANGER PARTS
PKA-A12HA7 PKA-A18HA7



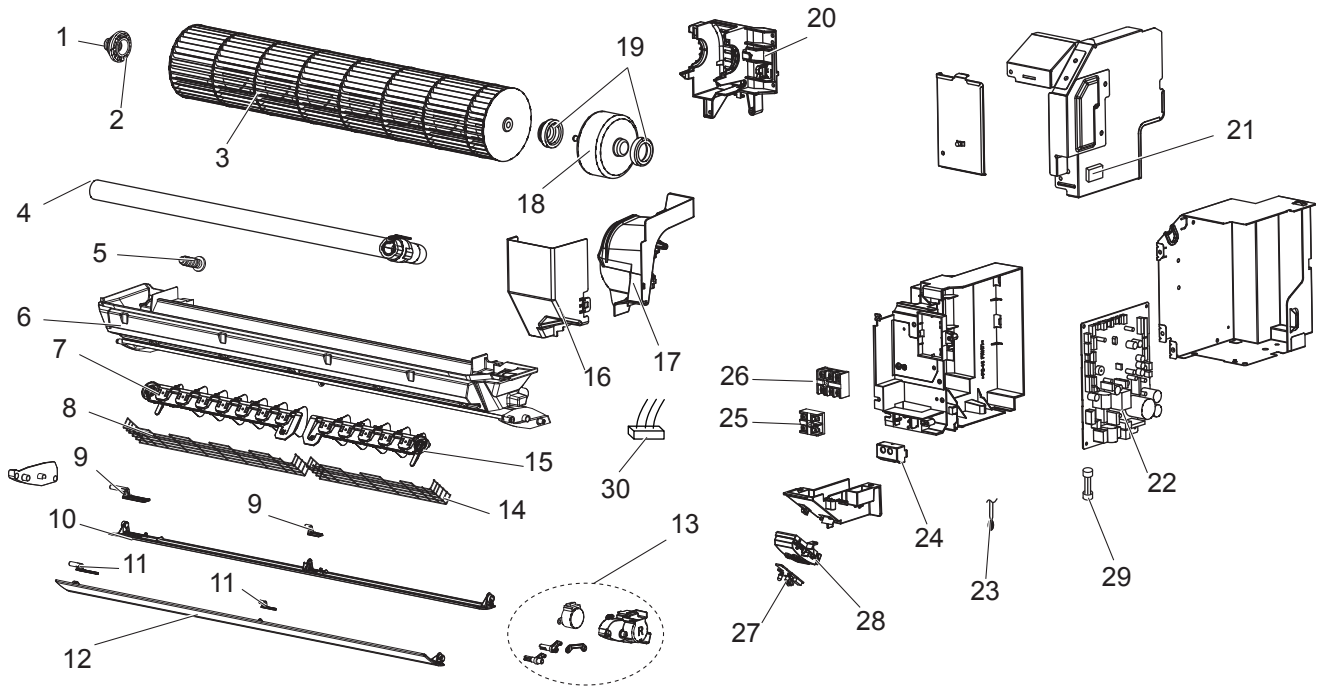
7KH00-A02GS

RoHS PARTS LIST

No.	RoHS	Parts No.	Parts Name	Specification	Q'ty/unit		Remarks (Drawing No.)	Wiring Diagram Symbol	Recom- mended Q'ty
					PKA-A12HA7	PKA-A18HA7			
1	G	R01 E08 808	BACK PLATE		1	1			
2	G	R01 E02 635	BOX ASSY		1	1			
3	G	R01 E30 658	CORNER BOX (L)		1	1			
4	G	R01 E19 651	FRONT PANEL ASSY		1	1			
5	G	R01 E14 054	HOLDER (R.L)		1	1	LEFT & RIGHT		
6	G	R01 E15 054	CATCH		1	1	2pcs/set		
7	G	R01 E05 096	SCREW CAP		1	1	2pcs/set		
8	G	R01 E58 691	GRILLE		1	1			
9	G	R01 E31 658	RECEIVER COVER		1	1			
10	G	R01 E36 500	FILTER (L)		1	1			
11	G	R01 E37 500	FILTER (R)		1	1			
12	G	R01 E29 658	CORNER BOX (R)		1	1			
13	G	R01 N17 202	THERMISTOR		1	1		TH2/TH5	
14	G	T7W N11 480	HEAT EXCHANGER		1	1			
15	G	T7W K00 525	DRAIN PLATE		1	1			

RoHS PARTS LIST

FAN AND ELECTRICAL PARTS PKA-A12HA7 PKA-A18HA7



7KH00-E02ES

RoHS PARTS LIST

No.	RoHS	Parts No.	Parts Name	Specification	Q'ty/unit		Remarks (Drawing No.)	Wiring Diagram Symbol	Recom- mended Q'ty
					PKA-A12HA7	PKA-A18HA7			
1	G	R01 E01 102	BEARING MOUNT		1	1			
2	G	R01 E04 103	SLEEVE BEARING		1	1			
3	G	R01 E42 114	LINEFLOW FAN		1	1			
4	G	R01 E09 527	DRAIN HOSE VP16		1	1			
5	G	R01 E03 524	DRAIN CAP		1	1			
6	G	T7W E03 530	NOZZLE ASSY		1	1	with No.7,15		
7	G	R01 E09 038	GUIDE VANE ASSY-L		1	1			
8	G	T7W E19 675	FAN GUARD-L		1	1			
9	G	R01 E06 063	VANE SHAFT-UC/ UL		1	1	2pcs/set		
10	G	R01 E32 002	AUTO VANE-U		1	1			
11	G	R01 E05 063	VANE SHAFT-TC/ TL		1	1	2pcs/set		
12	G	R01 E31 002	AUTO VANE-T		1	1			
13	G	R01 E27 223	VANE MOTOR		1	1		M	
14	G	T7W E18 675	FAN GUARD-R		1	1			
15	G	R01 E08 038	GUIDE VANE ASSY-R		1	1			
16	G	R01 E00 031	WATER COVER		1	1			
17	G	R01 E03 126	MOTOR BAND		1	1			
18	G	R01 E51 220	FAN MOTOR		1	1	with No.19	MS	
19	G	R01 E18 105	RUBBER MOUNT SET		1	1	LEFT & RIGHT		
20	G	R01 E44 130	MOTOR BED		1	1			
21	G	R01 E01 091	THERMISTOR HOLDER		1	1			
22	G	T7W S03 310	CONTROLLER BOARD		1	1		I.B, S.W	
23	G	R01 N23 202	THERMISTOR		1	1		TH1	
24	G	R01 E01 031	SWITCH BOARD COVER		1	1			
25	G	R01 E48 246	TERMINAL BLOCK	2P (1, 2)	1	1		TB5	
26	G	R01 T04 246	TERMINAL BLOCK	3P(S1, S2, S3)	1	1		TB4	
27	G	R01 E10 317	WIRELESS ADAPTER		1	1		W.B	
28	G	R01 E01 094	DISP HOLDER		1	1			
29	G	R01 E11 239	FUSE	3.15A 250V	1	1		FUSE	
30	G	R01 E12 304	LEAD (VANE MOTOR)		1	1			

2**OPTIONAL PARTS****2-1. WIRELESS REMOTE CONTROLLER**

Part No.	PAR-FL32MA-E
----------	--------------

2-2. WIRED REMOTE CONTROLLER (MA REMOTE CONTROLLER)

Part No.	PAR-32MAA
----------	-----------

2-3. WIRED REMOTE CONTROLLER (SIMPLE MA REMOTE CONTROLLER)

Part No.	PAC-YT53CRAU
----------	--------------

2-4. REMOTE ON/OFF ADAPTOR

Part No.	PAC-SE55RA-E
----------	--------------

2-5. DRAIN PUMP

Part No.	PAC-SH75DM-E
----------	--------------

2-6. REMOTE SENSOR

Part No.	PAC-SE41TS-E
----------	--------------

MITSUBISHI ELECTRIC CORPORATION

HEAD OFFICE : TOKYO BUILDNG, 2-7-3, MARUNOUCHI, CHIYODA-KU, TOKYO 100-8310, JAPAN