



Mr. SLIM

Air-Conditioners

PKA-A·FA

PKA-A·FAL

INSTALLATION MANUAL

For safe and correct use, read this manual and the outdoor unit installation manual thoroughly before installing the air-conditioner unit.

FOR INSTALLER

MANUAL DE INSTALACIÓN

Para un uso correcto y seguro, lea detalladamente este manual y el manual de instalación de la unidad exterior antes de instalar la unidad de aire acondicionado.

PARA EL INSTALADOR

English

Español

Contents

| | | | |
|--|---|---|----|
| 1. Safety precautions | 2 | 5. Drainage piping work (Fig. 5-1) | 6 |
| 2. Installation location | 3 | 6. Electrical work | 7 |
| 3. Installing the indoor unit | 3 | 7. Test run | 12 |
| 4. Installing the refrigerant piping | 5 | 8. Easy maintenance function (Option) | 15 |

1. Safety precautions

- ▶ Before installing the unit, make sure you read all the "Safety precautions".
- ▶ Please report to your supply authority or obtain their consent before connecting this equipment to the power supply system.

⚠ Warning:

Describes precautions that must be observed to prevent danger of injury or death to the user.

⚠ Caution:

Describes precautions that must be observed to prevent damage to the unit.

⚠ Warning:

- Ask a dealer or an authorized technician to install the unit.
- For installation work, follow the instructions in the Installation Manual and use tools and pipe components specifically made for use with refrigerant specified in the outdoor unit installation manual.
- The unit must be installed according to the instructions in order to minimize the risk of damage from earthquakes, typhoons, or strong winds. An incorrectly installed unit may fall down and cause damage or injuries.
- The unit must be securely installed on a structure that can sustain its weight.
- If the air conditioner is installed in a small room, measures must be taken to prevent the refrigerant concentration in the room from exceeding the safety limit in the event of refrigerant leakage. Should the refrigerant leak and cause the concentration limit to be exceeded, hazards due to lack of oxygen in the room may result.

After installation work has been completed, explain the "Safety Precautions," use, and maintenance of the unit to the customer according to the information in the Operation Manual and perform the test run to ensure normal operation. Both the Installation Manual and Operation Manual must be given to the user for keeping. These manuals must be passed on to subsequent users.

⚡ : Indicates a part which must be grounded.

⚠ Warning:

Carefully read the labels affixed to the main unit.

- Ventilate the room if refrigerant leaks during operation. If refrigerant comes into contact with a flame, poisonous gases will be released.
- All electric work must be performed by a qualified technician according to local regulations and the instructions given in this manual.
- Use only specified cables for wiring.
- The terminal block cover panel of the unit must be firmly attached.
- Use only accessories authorized by Mitsubishi Electric and ask a dealer or an authorized technician to install them.
- The user should never attempt to repair the unit or transfer it to another location.
- After installation has been completed, check for refrigerant leaks. If refrigerant leaks into the room and comes into contact with the flame of a heater or portable cooking range, poisonous gases will be released.

1.1. Before installation (Environment)

⚠ Caution:

- Do not use the unit in an unusual environment. If the air conditioner is installed in areas exposed to steam, volatile oil (including machine oil), or sulfuric gas, areas exposed to high salt content such as the seaside, the performance can be significantly reduced and the internal parts can be damaged.
- Do not install the unit where combustible gases may leak, be produced, flow, or accumulate. If combustible gas accumulates around the unit, fire or explosion may result.
- Do not keep food, plants, caged pets, artwork, or precision instruments in the direct airflow of the indoor unit or too close to the unit, as these items can be damaged by temperature changes or dripping water.

- When the room humidity exceeds 80% or when the drainpipe is clogged, water may drip from the indoor unit. Do not install the indoor unit where such dripping can cause damage.
- When installing the unit in a hospital or communications office, be prepared for noise and electronic interference. Inverters, home appliances, high-frequency medical equipment, and radio communications equipment can cause the air conditioner to malfunction or breakdown. The air conditioner may also affect medical equipment, disturbing medical care, and communications equipment, harming the screen display quality.

1.2. Before installation or relocation

⚠ Caution:

- Be extremely careful when transporting the units. Two or more persons are needed to handle the unit, as it weighs 20 kg, 44 lbs or more. Do not grasp the packaging bands. Wear protective gloves as you can injure your hands on the fins or other parts.
- Be sure to safely dispose of the packaging materials. Packaging materials, such as nails and other metal or wooden parts may cause stabs or other injuries.

- Thermal insulation of the refrigerant pipe is necessary to prevent condensation. If the refrigerant pipe is not properly insulated, condensation will be formed.
- Place thermal insulation on the pipes to prevent condensation. If the drainpipe is installed incorrectly, water leakage and damage to the ceiling, floor, furniture, or other possessions may result.
- Do not clean the air conditioner unit with water. Electric shock may result.
- Tighten all flare nuts to specification using a torque wrench. If tightened too much, the flare nut can break after an extended period.

1.3. Before electric work

⚠ Caution:

- Be sure to install circuit breakers. If not installed, electric shock may result.
- For the power lines, use standard cables of sufficient capacity. Otherwise, a short circuit, overheating, or fire may result.
- When installing the power lines, do not apply tension to the cables.

- Be sure to ground the unit. If the unit is not properly grounded, electric shock may result.
- Use circuit breakers (ground fault interrupter, isolating switch (+B fuse), and molded case circuit breaker) with the specified capacity. If the circuit breaker capacity is larger than the specified capacity, breakdown or fire may result.

1.4. Before starting the test run

⚠ Caution:

- Turn on the main power switch more than 12 hours before starting operation. Starting operation just after turning on the power switch can severely damage the internal parts.
- Before starting operation, check that all panels, guards and other protective parts are correctly installed. Rotating, hot, or high voltage parts can cause injuries.

- Do not operate the air conditioner without the air filter set in place. If the air filter is not installed, dust may accumulate and breakdown may result.
- Do not touch any switch with wet hands. Electric shock may result.
- Do not touch the refrigerant pipes with bare hands during operation.
- After stopping operation, be sure to wait at least five minutes before turning off the main power switch. Otherwise, water leakage or breakdown may result.

2. Installation location

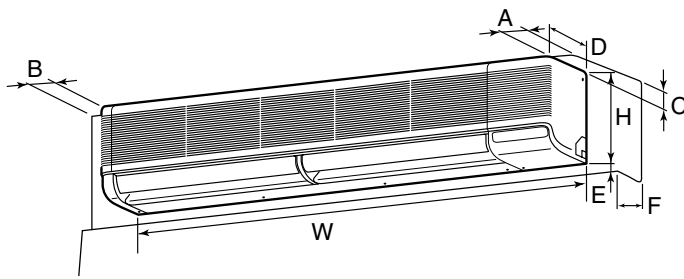


Fig. 2-1

3. Installing the indoor unit

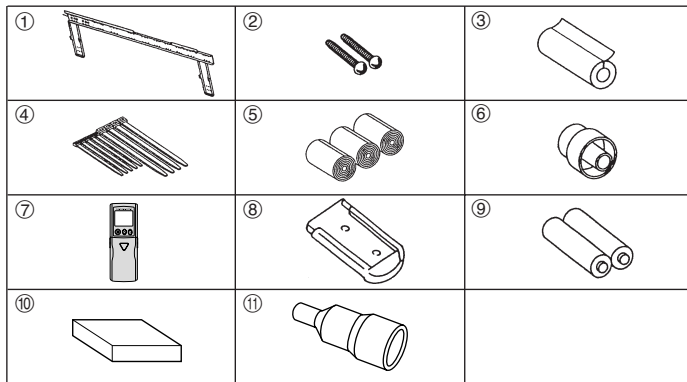
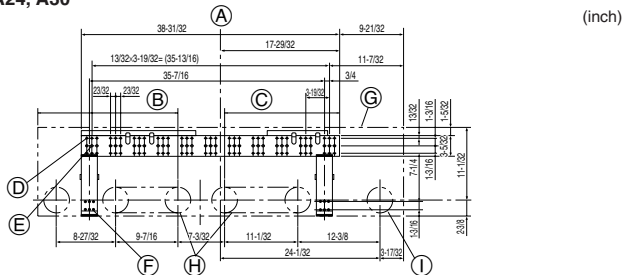


Fig. 3-1

■ A24, A30



■ A36

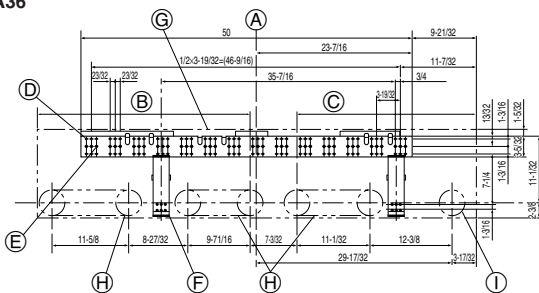


Fig. 3-2

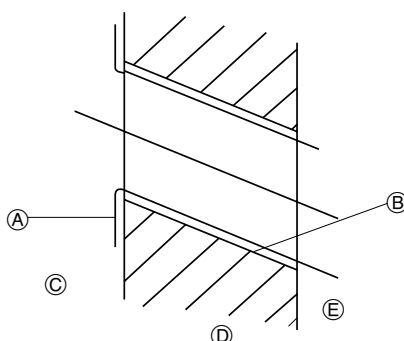


Fig. 3-3

2.1. Outline dimensions (Indoor unit) (Fig. 2-1)

Select a proper position allowing the following clearances for installation and maintenance.

| Models | W | D | H | A | B | C | E | (mm) | |
|----------|---------|-------|--------|--------------|---------|-------------|----------|--------------|--------|
| | | | | | | | | F | (inch) |
| A24, A30 | 1400 | 235 | 340 | Min. 150 | Min. 50 | Min. 30 | Max. 250 | Max. 150 | |
| | 55-1/8 | 9-1/4 | 13-3/8 | Min. 5-15/16 | Min. 2 | Min. 1-3/16 | Max. 10 | Max. 5-15/16 | |
| A36 | 1680 | 235 | 340 | Min. 150 | Min. 50 | Min. 30 | Max. 250 | Max. 150 | |
| | 66-5/32 | 9-1/4 | 13-3/8 | Min. 5-15/16 | Min. 2 | Min. 1-3/16 | Max. 10 | Max. 5-15/16 | |

⚠ Warning:

Mount the indoor unit on a ceiling strong enough to withstand the weight of the unit.

2.2. Outline dimensions (Outdoor unit)

Refer to the outdoor unit installation manual.

3.1. Check the indoor unit accessories (Fig. 3-1)

The indoor unit should be supplied with the following accessories.

| PARTNUMBER | ACCESSORY | QUANTITY | LOCATION OF SETTING |
|------------|----------------------------|-----------------------|--|
| ① | Wall-fixing bracket | 1 | Fix at the back of the unit |
| ② | Tapping screw 4 × 35 | 12 | Set inside the unit } for PKA-A-FAL } for PKA-A-FA |
| ③ | Insulation material | 2 | |
| ④ | Band | 4 (large) + 5 (small) | |
| ⑤ | Felt tape | 3 | |
| ⑥ | Drain socket | 1 | |
| ⑦ | Wireless remote controller | 1 | |
| ⑧ | Remote controller holder | 1 | |
| ⑨ | Alkali batteries | 2 | |
| ⑩ | Wired remote controller | 1 | |
| ⑪ | Drain adaptor | 1 | |

⑦ - ⑨ are stored in a cut-out section of the packing material (styrofoam).

3.2. Installing the wall mounting fixture (Fig. 3-2)

1) Setting the wall mounting fixture and piping positions

▶ Using the wall mounting fixture, determine the unit's installation position and the locations of the piping holes to be drilled.

⚠ Warning:

Before drilling a hole in the wall, you must consult the building contractor.

- Ⓐ Indoor unit center line
- Ⓑ Left drain range
- Ⓒ Right drain range
- Ⓓ Hole for tapping screw
- Ⓔ Bolt hole
- Ⓕ Hole for tapping screw
- Ⓖ Contour of the unit
- Ⓗ Knockout hole for left rear piping
- Ⓘ Rear piping access hole (90-100 mm, 3-9/16 to 4 inch dia.)

2) Drilling the piping hole (Fig. 3-3)

▶ Use a core drill to make a hole of 90-100 mm, 3-9/16 to 4 inch diameter in the wall in the piping direction, at the position shown in the diagram to the left.

▶ The hole should incline so that the outside opening is lower than the inside opening.

▶ Insert a sleeve (with a 90 mm, 3-9/16 inch diameter and purchased locally) through the hole.

Note:

The purpose of the hole's inclination is to promote drain flow.

- Ⓐ Sleeve
- Ⓑ Hole
- Ⓒ (Indoors)
- Ⓓ Wall
- Ⓔ (Outdoors)

3. Installing the indoor unit

① A24, A30

(inch)

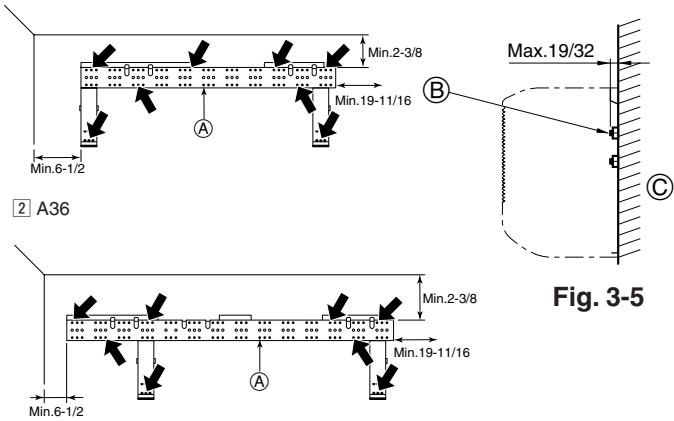


Fig. 3-4

Fig. 3-5

3) Installing the wall mounting fixture

- ▶ Since the indoor unit weighs near 30 kg, 66 lbs, selection of the mounting location requires thorough consideration. If the wall does not seem to be strong enough, reinforce it with boards or beams before installation.
- ▶ The mounting fixture must be secured at both ends and at the centre, if possible. Never fix it at a single spot or in any nonsymmetrical way. (If possible, secure the fixture at all the positions marked with a bold arrow.) (Fig. 3-4)
- ▶ Secure the wall mounting fixture through its middle row of 12-mm, 1/2 inch-dia. holes using locally purchased bolts (through bolts, bolt anchor and nut anchor) of M10 or W3/8 threading. The bolt tip must not protrude by more than 15 mm, 9/32 inch from the wall surface. (Fig. 3-5) Use at least two bolts for a concrete wall, and at least four bolts for a foamed concrete wall.

Ⓐ Wall-fixing bracket Ⓑ Mounting bolt Ⓒ Wall

⚠ Warning:

If possible, secure the fixture at all the positions marked with a bold arrow.

⚠ Caution:

The unit body must be mounted horizontally.

3.3. Preparation for piping connection

Remove the vinyl band that holds the drain piping.

- This vinyl band can be used to temporarily attach the pipes to the wall mounting fixture while connecting the left pipe.

1) Rear, right and lower piping (Fig. 3-6)

- ① Remove the right side panel.

2) Left and left rear piping

- ① Remove the side panel.

When embedding pipes into the wall (Fig. 3-7)

When the refrigerant pipe, drain pipes, internal/external connection lines, etc., are to be embedded into the wall in advance, the extruding pipes, etc., may have to be bent and have their length modified to the unit.

- Make the pipes to be embedded slightly longer than necessary, and install.

Ⓐ Right side panel Ⓒ On-site piping
Ⓑ Through hole Ⓓ Wall-fixing bracket ①

- ② Remove the five screws indicated by the arrows in the diagram. (Fig. 3-8)

- ③ Remove the left side panel, then the lower panel.

1. While pushing up the front lower portion of the side panel (to disengage the side panel catch from the unit catch), slide the upper portion of the side panel to the left.

- When the indoor unit is already mounted, be sure the unit does not fall from the wall mounting fixture.

- For reassembly, put the catch at the front lower portion of the side panel over the unit body and push it to the right.

Ⓐ Grille Ⓓ Catch
Ⓑ Left side panel Ⓔ Side panel
Ⓒ Lower panel Ⓕ Unit body

* Structure of the side panel and the unit body (Fig. 3-9)

1. Panel catch engages the unit body catch.
2. Panel catch is put in the unit body hole.
3. Panel catch engages the unit body catch.
4. Sheet metal of the unit body enters the panel.
5. Panel catch enters the unit body hole.

- ④ The drain hose can be connected at two different positions. Use the most convenient position and, if necessary, exchange the position of the drain pan, rubber plug and the drain hose. (Fig. 3-10)

Ⓖ Drain pan
Ⓗ Band
Ⓙ Plug
⓫ Drain hose
⓬ Screwdriver

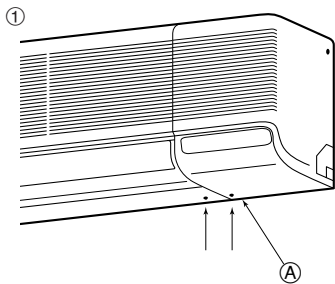


Fig. 3-6

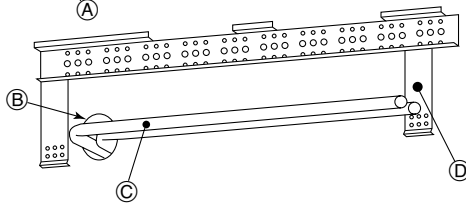


Fig. 3-7

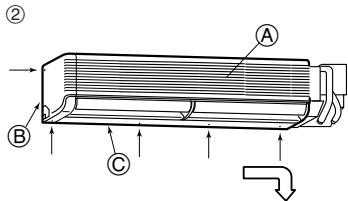


Fig. 3-8

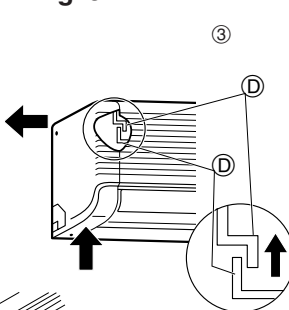


Fig. 3-9

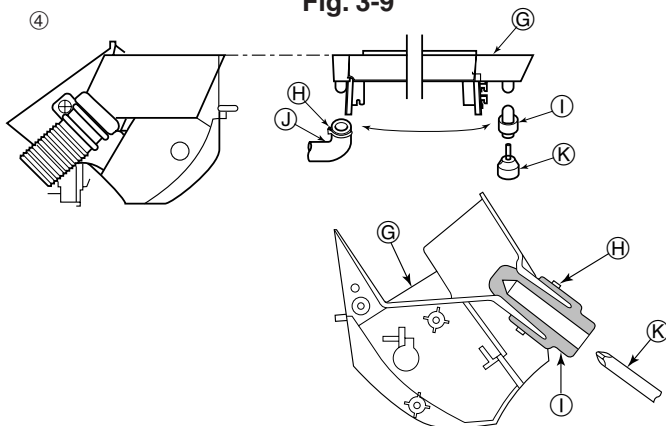


Fig. 3-10

3. Installing the indoor unit

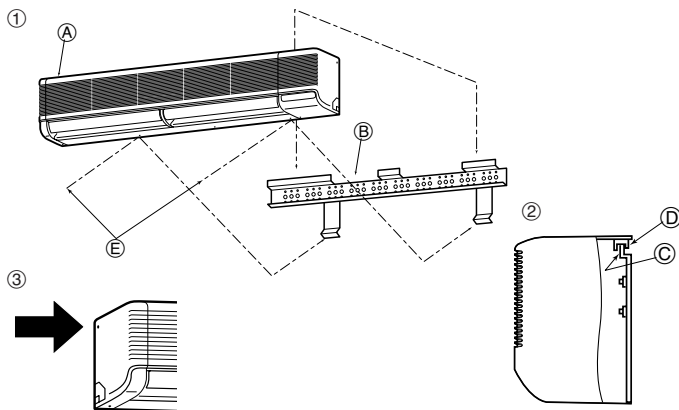


Fig. 3-11

3.4. Mounting the indoor unit (Fig. 3-11)

- ① Make sure to hang the metal catches of the indoor unit over the hooks of the wall mounting fixture.
- ② When the piping has been completed, use the securing screws to fix the indoor unit on the wall mounting fixture.

Note:

Check that the catches of the indoor unit securely fit over the hooks of the wall mounting fixture.

- ③ The screw indicated by the bold arrow is used only during transportation and should be removed. Remove the screw before installation if there is not enough space at the left side to remove it once the unit has been installed.

- Ⓐ Indoor unit
- Ⓑ Wall fixing bracket ①
- Ⓒ Hook
- Ⓓ Metal catch of the indoor unit
- Ⓔ Securing screws

4. Installing the refrigerant piping

4.1. Precautions

4.1.1. For devices that use R410A refrigerant

- Use ester oil, ether oil, alkylbenzene oil (small amount) as the refrigeration oil applied to the flared sections.
- Use C1220 copper phosphorus, for copper and copper alloy seamless pipes, to connect the refrigerant pipes. Use refrigerant pipes with the thicknesses specified in the table to the below. Make sure the insides of the pipes are clean and do not contain any harmful contaminants such as sulfuric compounds, oxidants, debris, or dust.

Warning:

When installing or moving the air conditioner, use only the specified refrigerant (R410A) to charge the refrigerant lines. Do not mix it with any other refrigerant and do not allow air to remain in the lines. Air enclosed in the lines can cause pressure peaks resulting in a rupture and other hazards.

| | A24, A30, A36 |
|-------------|---|
| Liquid pipe | ø9.52 mm, 3/8 inch thickness 0.8 mm, 1/32 inch |
| Gas pipe | ø15.88 mm, 5/8 inch thickness 1.0 mm, 3/64 inch |

- Do not use pipes thinner than those specified above.

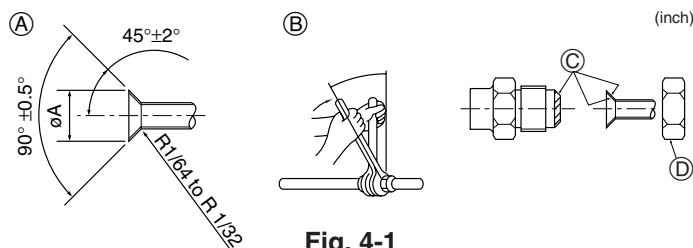


Fig. 4-1

Ⓐ Flare cutting dimensions

| Copper pipe O.D. (mm, inch) | Flare dimensions øA dimensions (mm, inch) |
|--------------------------------|--|
| ø6.35, 1/4" | 8.7 - 9.1, 11/32-23/64 |
| ø9.52, 3/8" | 12.8 - 13.2, 1/2-33/64 |
| ø12.7, 1/2" | 16.2 - 16.6, 41/64-21/32 |
| ø15.88, 5/8" | 19.3 - 19.7, 49/64-25/32 |

4.2. Connecting pipes (Fig. 4-1)

- When commercially available copper pipes are used, wrap liquid and gas pipes with commercially available insulation materials (heat-resistant to 100 °C, 212 °F or more, thickness of 12 mm, 1/2 inch or more).
 - The indoor parts of the drain pipe should be wrapped with polyethylene foam insulation materials (specific gravity of 0.03, thickness of 9 mm, 23/64 inch or more).
 - Apply thin layer of refrigerant oil to pipe and joint seating surface before tightening flare nut.
 - Use two wrenches to tighten piping connections.
 - Use refrigerant piping insulation provided to insulate indoor unit connections. Insulate carefully.
- Ⓑ Flare nut tightening torque

| Copper pipe O.D. (mm, inch) | Flare nut O.D. (mm, inch) | Tightening torque (N·m, ft·lbs) |
|--------------------------------|------------------------------|------------------------------------|
| ø6.35, 1/4" | 17, 43/64 | 14 - 18, 10-13 |
| ø9.52, 3/8" | 22, 7/8 | 34 - 42, 25-30 |
| ø12.7, 1/2" | 26, 1-3/64 | 49 - 61, 35-44 |
| ø15.88, 5/8" | 29, 1-9/64 | 68 - 82, 49-59 |

Ⓒ Apply refrigerating machine oil over the entire flare seat surface.

Ⓓ Use correct flare nuts meeting the pipe size of the outdoor unit.

Available pipe size

| | A24, A30, A36 |
|-------------|---------------|
| Liquid side | — |
| | ø9.52 |
| Gas side | — |
| | ø15.88 |

○ : Factory flare nut attachment to the heat-exchanger.

4. Installing the refrigerant piping

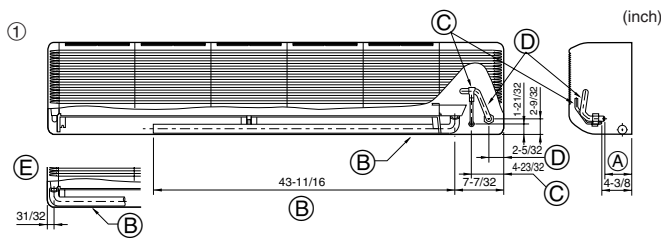


Fig. 4-2

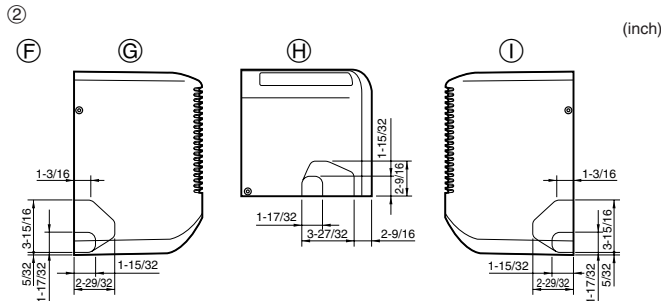


Fig. 4-3

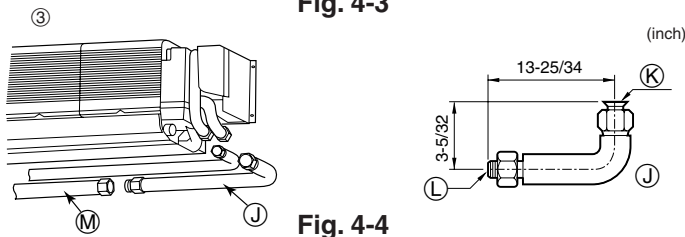


Fig. 4-4

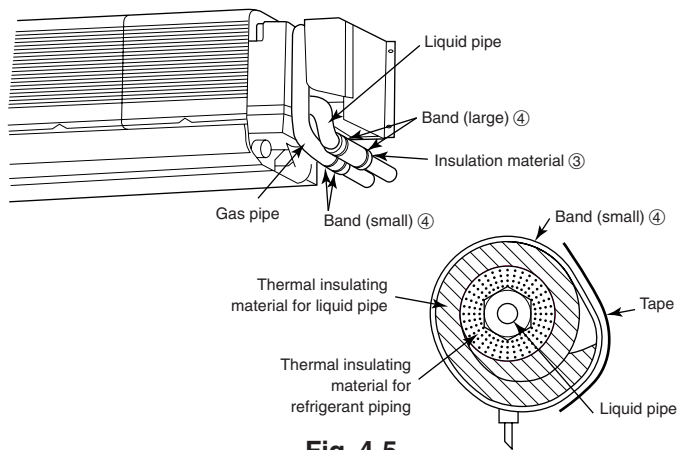


Fig. 4-5

4.3. Positioning refrigerant and drain piping

- ① Position of refrigerant and drain piping (Fig. 4-2)
- ② Determine the position of the knockout holes on the unit body (Fig. 4-3)
 - Make the knockout holes using a saw blade or an adequate knife.

⚠ Caution:

The side panel must be removed before drilling a knockout hole in it. If a hole is made with the side panel in place, the refrigerant pipe within the unit could be damaged.

- ③ L-shaped connection pipe (for gas piping) (Fig. 4-4)

- | | |
|--|-------------------------------------|
| Ⓐ 107 mm, 4-7/32 inch (A24, A30), 102 mm, 4-1/32 inch (A36) | Ⓔ For left-side piping |
| Ⓑ Drain hose | Ⓕ For lower-side piping |
| Ⓒ Liquid pipe | Ⓖ For right-side piping |
| Ⓓ Gas pipe | Ⓙ L-shaped connection pipe (option) |
| Ⓔ Drain hose in left-side piping | Ⓚ Unit side |
| Ⓛ Knockout holes on the unit body | Ⓛ On-site piping side |
| | Ⓜ Piping |

4.4. Insulating pipes (Fig. 4-5)

Refer to the Fig. 4-5 for insulating.

5. Drainage piping work (Fig. 5-1)

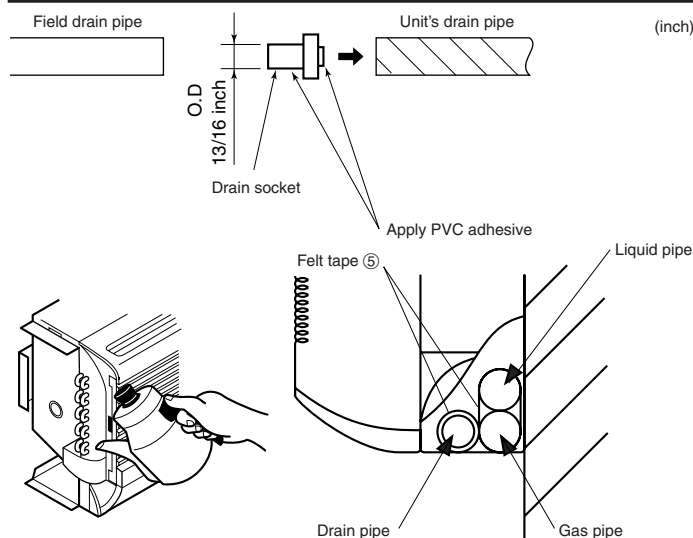


Fig. 5-1

- Use a PVC pipe (I.D. ø20mm, 13/16 inch) for drain piping and provide 1/100 or more downward slope.
- Other PVC pipe sizes are available with the drain adaptor supplied.
- Drain pipes can be cut with a knife at the connection point according to the on-site conditions.
- When connecting a PVC pipe, use adhesive to attach the supplied drain socket.
- To prevent dripping condensation, put felt tape ⑤ over the insulation materials on the drain pipe.

⚠ Caution:

The drain pipe should be installed according to this Installation Manual to ensure correct drainage. Thermal insulation of the drain pipes is necessary to prevent condensation. If the drain pipes are not properly installed and insulated, condensation may drip on the ceiling, floor or other possessions.

6. Electrical work

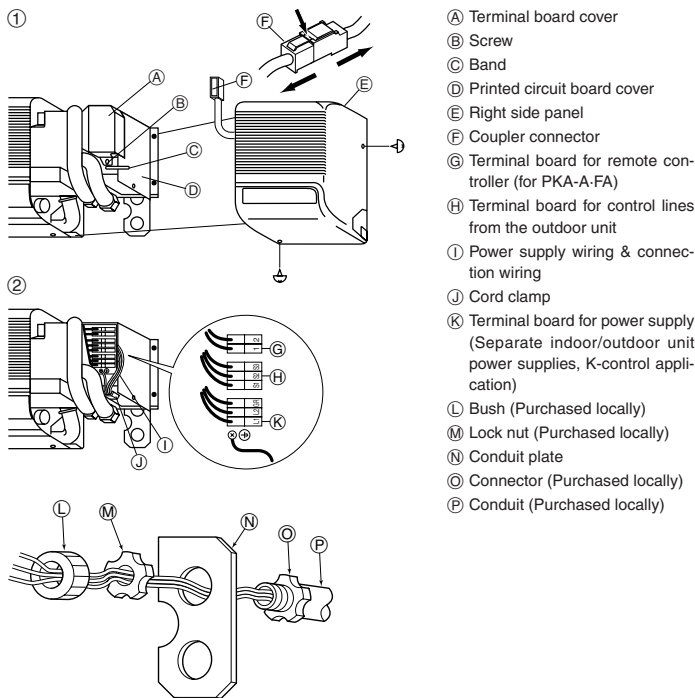


Fig. 6-1

- (A) Terminal board cover
- (B) Screw
- (C) Band
- (D) Printed circuit board cover
- (E) Right side panel
- (F) Coupler connector
- (G) Terminal board for remote controller (for PKA-A-FA)
- (H) Terminal board for control lines from the outdoor unit
- (I) Power supply wiring & connection wiring
- (J) Cord clamp
- (K) Terminal board for power supply (Separate indoor/outdoor unit power supplies, K-control application)
- (L) Bush (Purchased locally)
- (M) Lock nut (Purchased locally)
- (N) Conduit plate
- (O) Connector (Purchased locally)
- (P) Conduit (Purchased locally)

6.1. Indoor unit (Fig. 6-1)

① Remove the right side panel.

To do this, remove the screws on the lower and right sides.

Remove the securing screw on the terminal board cover to take away the cover.

② Connect the power, control line. (3 × 2.5 mm² 2 polar).

▶ **This cables shall not lighter than polychloroprene sheathed flexible cord. (design 245 IEC 57)**

▶ **Fix power source wiring to control box using buffer bushing for tensile force. (PG connection or the like.)**

• Since the electric box may need to be pulled out for servicing or other occasions, wires must have enough slack.

• Class 3 grounding work must be conducted (grounding wire size: 2.5 mm² or more). After wiring is completed, reinstall the parts in the reverse order of removal.

⚠ **Warning:**

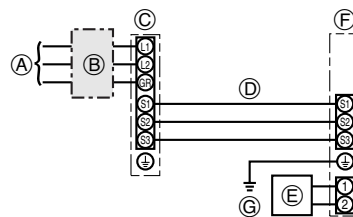
Wiring should be done so that the power lines are not subject to tension. Otherwise, heat may be generated or fire may occur.

6.1.1. Indoor unit power supplied from outdoor unit (A-control application)

The following connection patterns are available.

The outdoor unit power supply patterns vary on models.

1:1 System



- (A) Outdoor unit power supply
- (B) Wiring circuit breaker or isolating switch
- (C) Outdoor unit
- (D) Indoor unit/outdoor unit connecting cords
- (E) Remote controller (Only for PKA-A-FA)
- (F) Indoor unit
- (G) Indoor unit earth

* Affix a label A that is included with the manuals near each wiring diagram for the indoor and outdoor units.

| | | | |
|---|--------------------------------|-----|-----------------------|
| Indoor unit model | | PKA | |
| Indoor unit power supply | | - | |
| Minimum circuit ampacity | | 1A | |
| Maximum rating of overcurrent protective device | | 15A | |
| Wiring Wire No. × size | Indoor unit power supply | - | |
| | Indoor unit power supply earth | - | |
| | Indoor unit-Outdoor unit | *1 | 3 × AWG16 (polar) |
| | Indoor unit earth | | 1 × Min. AWG16 |
| | Remote controller-Indoor unit | *2 | 2 × AWG22 (Non-polar) |
| Circuit rating | Indoor unit L1-L2 | *3 | - |
| | Indoor unit-Outdoor unit S1-S2 | *3 | AC 208/230 V |
| | Indoor unit-Outdoor unit S2-S3 | *3 | DC24 V |
| | Remote controller-Indoor unit | *3 | DC12 V |

*1. Max. 50 m, 165 ft

*2. The 10 m, 30 ft wire is attached in the remote controller accessory. Max. 500 m, 1500 ft <Only for PKA-A-FA>

*3. The figures are NOT always against the ground.

S3 terminal has DC 24 V against S2 terminal. However between S3 and S1, these terminals are not electrically insulated by the transformer or other device.

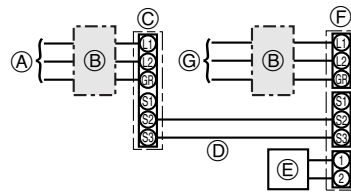
- Notes:**
1. Wiring size must comply with the applicable local and national code.
 2. Use copper supply wires.
 3. Use wires rated 300V or more for the power supply cables and the indoor unit/outdoor unit connecting cables.
 4. Install an earth longer than other cables.

6. Electrical work

6.1.2. Separate indoor unit/outdoor unit power supplies (A-control application)

The following connection patterns are available.
The outdoor unit power supply patterns vary on models.

1:1 System



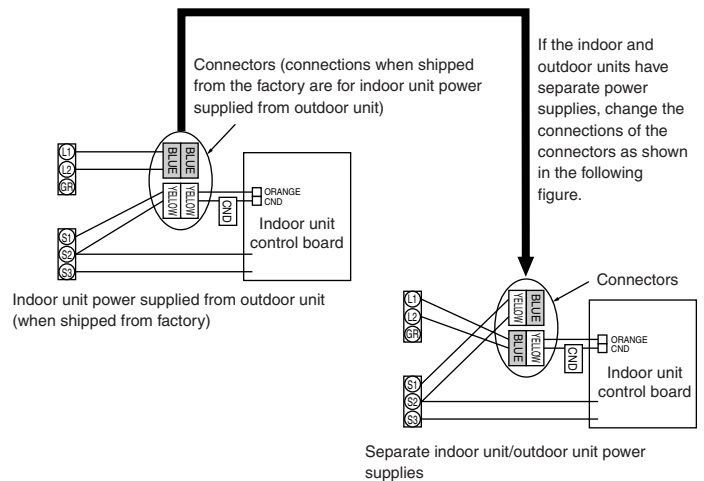
- Ⓐ Outdoor unit power supply
- Ⓑ Wiring circuit breaker or isolating switch
- Ⓒ Outdoor unit
- Ⓓ Indoor unit/outdoor unit connecting cords
- Ⓔ Remote controller (Only for PKA-A-FA)
- Ⓕ Indoor unit
- Ⓖ Indoor unit power supply

* Affix a label B that is included with the manuals near each wiring diagram for the indoor and outdoor units.

If the indoor and outdoor units have separate power supplies, refer to the table at the below. Change the indoor unit electrical box wiring referring to the figure in the right and the DIP switch settings of the outdoor unit control board.

| | Indoor unit specifications | | | | | | | | |
|---|--|----|---|--|---|-----|---|---|--|
| Indoor unit electrical box connector connection change | Required | | | | | | | | |
| Label affixed near each wiring diagram for the indoor and outdoor units | Required | | | | | | | | |
| Outdoor unit DIP switch settings (when using separate indoor unit/outdoor unit power supplies only) | <table border="1" style="display: inline-table;"> <tr> <td>ON</td> <td></td> <td></td> <td>3</td> </tr> <tr> <td>OFF</td> <td>1</td> <td>2</td> <td></td> </tr> </table> (SW8) | ON | | | 3 | OFF | 1 | 2 | |
| ON | | | 3 | | | | | | |
| OFF | 1 | 2 | | | | | | | |

* There are three types of labels (labels A, B, and C). Affix the appropriate labels to the units according to the wiring method.



| | | |
|---|--------------------------------|--------------------------|
| Indoor unit model | PKA | |
| Indoor unit power supply | Single 208/230 V, 60 Hz | |
| Minimum circuit ampacity | 1 A | |
| Maximum rating of overcurrent protective device | 15A | |
| Wiring Wire No. × size | Indoor unit power supply | 2 × Min. AWG16 |
| | Indoor unit power supply earth | 1 × Min. AWG16 |
| | Indoor unit-Outdoor unit | *1 2 × AWG22 (polar) |
| | Indoor unit earth | - |
| | Remote controller-Indoor unit | *2 2 × AWG22 (Non-polar) |
| Circuit rating | Indoor unit L1-L2 | *3 AC 208/230 V |
| | Indoor unit-Outdoor unit S1-S2 | *3 - |
| | Indoor unit-Outdoor unit S2-S3 | *3 DC24 V |
| | Remote controller-Indoor unit | *3 DC12 V |

*1. Max. 50 m, 165 ft

*2. The 10 m, 30 ft wire is attached in the remote controller accessory. Max. 500 m, 1500 ft

*3. The figures are NOT always against the ground.

- Notes:**
1. Wiring size must comply with the applicable local and national code.
 2. Use copper supply wires.
 3. Use wires rated 300V or more for the power supply cables.
 4. Install an earth longer than other cables.

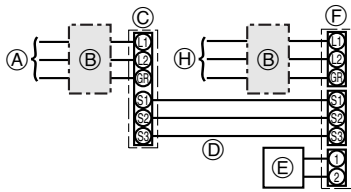
6. Electrical work

6.1.3. K-control application

The following connection patterns are available.
The outdoor unit power supply patterns vary on models.

1:1 System

<For heat pump models>

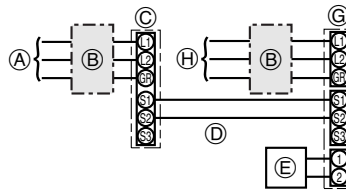


Set the DIP switch of the indoor unit control board.

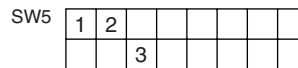


SW5-1 : ON SW5-2, 3 : OFF

<For cooling only models>



Set the DIP switch of the indoor unit control board.



SW5-1, 2 : ON SW5-3 : OFF

- (A) Outdoor unit power supply
- (B) Wiring circuit breaker or isolating switch
- (C) Outdoor unit
- (D) Indoor unit/outdoor unit connecting cords
- (E) Remote controller (Only for PKA-A-FA)
- (F) Indoor unit <For heat pump models>
- (G) Indoor unit <For cooling only models>
- (H) Indoor unit power supply

* Affix a label B that is included with the manuals near each wiring diagram for the indoor and outdoor units.

To change to K-control, set the DIP switch (SW5) of the indoor unit control board as shown in the above figure and change the electric wiring of the indoor unit as shown in the right figure.

Set up Dip switch after turning off Power supply switch.
Be careful that setting the DIP switch (SW5) of the indoor unit control board varies between the heat pump models and cooling models of the outdoor unit.

DIP switch (SW5)

| | OFF | ON |
|-------|------------------|---------------------|
| SW5-1 | A-CONTROL | K-CONTROL |
| SW5-2 | heat pump models | cooling only models |
| SW5-3 | MAIN | SUB |

} Dip switch SW5-2 and SW5-3 is effective only when Dip switch SW5-1 (K-CONTROL) is ON.

* There are three types of labels (labels A, B, and C). Affix the appropriate labels to the units according to the wiring method.

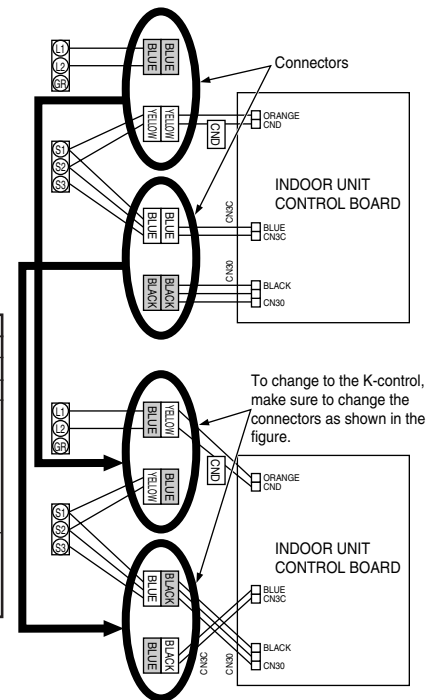
| Indoor unit model | | PKA |
|---|--------------------------------|--|
| Indoor unit power supply | | Single 208/230 V, 60 Hz |
| Minimum circuit ampacity | | 1 A |
| Maximum rating of overcurrent protective device | | 15A |
| Wiring Wire No. x size | Indoor unit power supply | 2 x Min. AWG16 |
| | Indoor unit power supply earth | 1 x Min. AWG16 |
| | Indoor unit-Outdoor unit | H/P: 3 x AWG22 (polar) C/O: 2 x AWG22 (polar) |
| | Indoor unit earth | - |
| | Remote controller-Indoor unit | 2 x AWG22 (Non-polar) |
| Circuit rating | Indoor unit L1-L2 | *3 AC 208/230 V |
| | Indoor unit-Outdoor unit S1-S2 | *3 DC12 V |
| | Indoor unit-Outdoor unit S1-S3 | *3 DC12 V |
| | Remote controller-Indoor unit | *3 DC12 V |

*1. Max. 50 m, 165 ft

*2. The 10 m, 30 ft wire is attached in the remote controller accessory. Max. 500 m, 1500 ft

*3. The figures are NOT always against the ground.

- Notes:**
1. Wiring size must comply with the applicable local and national code.
 2. Use copper supply wires.
 3. Use wires rated 300V or more for the power supply cables.
 4. Install an earth longer than other cables.



6. Electrical work

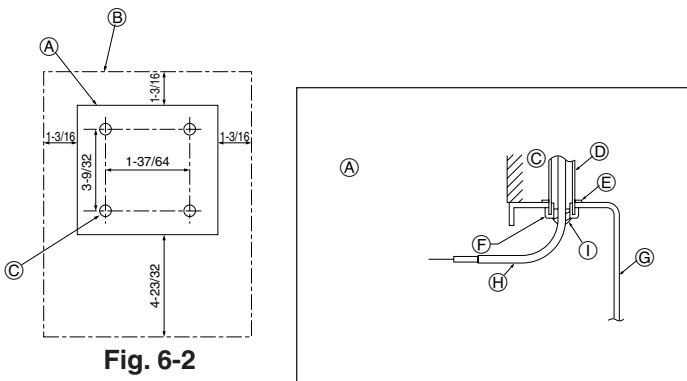


Fig. 6-2

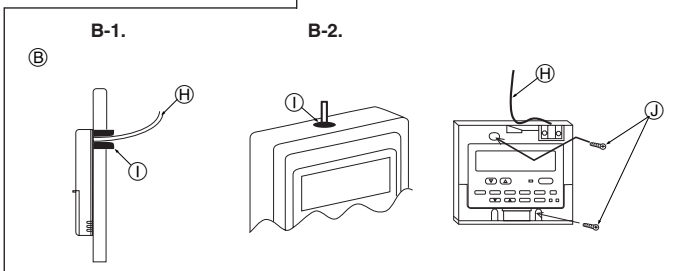


Fig. 6-3

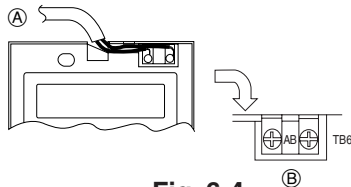


Fig. 6-4

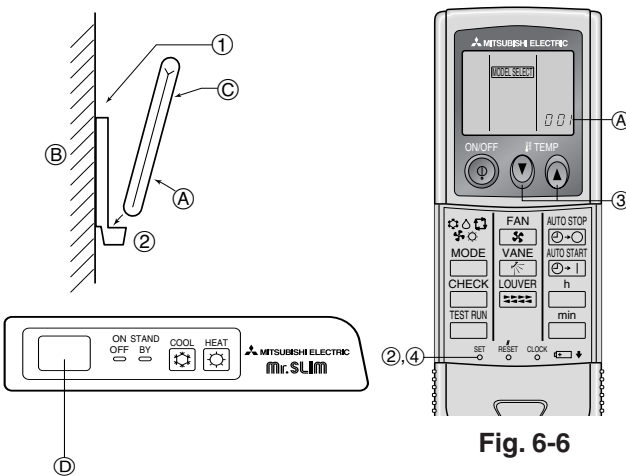


Fig. 6-5

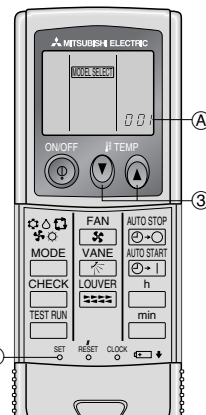


Fig. 6-6

6.2. Remote controller

6.2.1. For wired remote controller

1) Installing procedures

(1) Select an installing position for the remote controller. (Fig. 6-2)

The temperature sensors are located on both remote controller and indoor unit.

► Procure the following parts locally:

Two piece switch box

Thin copper conduit tube

Lock nuts and bushings

① Remote controller profile

② Required clearances surrounding the remote controller

③ Installation pitch

(2) Seal the service entrance for the remote controller cord with putty to prevent possible invasion of dew drops, water, cockroaches or worms. (Fig. 6-3)

① For installation in the switch box:

② For direct installation on the wall select one of the following:

- Prepare a hole through the wall to pass the remote controller cord (in order to run the remote controller cord from the back), then seal the hole with putty.

- Run the remote controller cord through the cut-out upper case, then seal the cut-out notch with putty similarly as above.

B-1. To lead the remote controller cord from the back of the controller:

B-2. To run the remote controller cord through the upper portion:

(3) For direct installation on the wall

① Wall

② Conduit

③ Lock nut

④ Bushing

⑤ Switch box

⑥ Remote controller cord

⑦ Seal with putty

⑧ Wood screw

2) Connecting procedures (Fig. 6-4)

① Connect the remote controller cord to the terminal block.

② A To TB5 on the indoor unit

③ TB6 (No polarity)

3) Two remote controllers setting

If two remote controllers are connected, set one to "Main" and the other to "Sub". For setting procedures, refer to "Function selection of remote controller" in the operation manual for the indoor unit.

6.2.2. For wireless remote controller

1) Installation area

- Area in which the remote controller is not exposed to direct sunshine.
- Area in which there is no nearby heating source.
- Area in which the remote controller is not exposed to cold (or hot) winds.
- Area in which the remote controller can be operated easily.
- Area in which the remote controller is beyond the reach of children.

2) Installation method (Fig. 6-5)

① Attach the remote controller holder to the desired location using two tapping screws.

② Place the lower end of the controller into the holder.

③ Remote controller

④ Wall

⑤ Display panel

⑥ Receiver

- The signal can travel up to approximately 7 meters, 23 ft (in a straight line) within 45 degrees to both right and left of the center line of the receiver.

3) Setting (Fig. 6-6)

① Insert batteries.

② Press the SET button with something sharp at the end.

MODEL SELECT blinks and Model No. is lighted.

③ Press the temp \uparrow \downarrow button to set the Model No.

④ Press the SET button with something sharp at the end.

MODEL SELECT and Model No. are lighted for three seconds, then turned off.

| Indoor | Outdoor | ① Model No. |
|--------------------------|---------------------|-------------|
| PLA, PCA, PKA (A12, A18) | heat pump models | 001 |
| | cooling only models | 033 |
| PKA (A24, A30, A36) | heat pump models | 003 |
| | cooling only models | 035 |

6. Electrical work

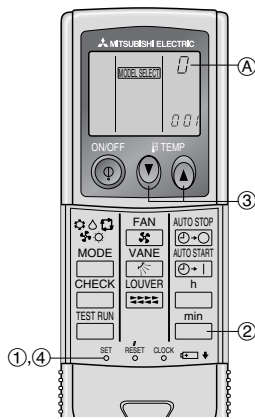


Fig. 6-7

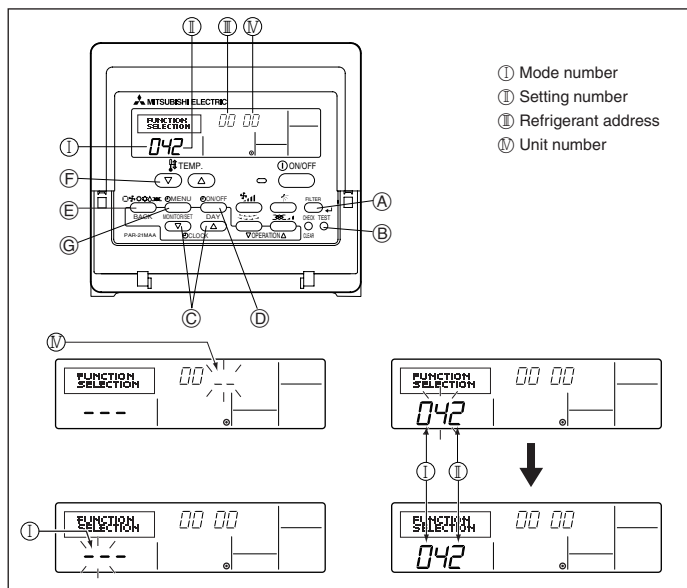


Fig. 6-8

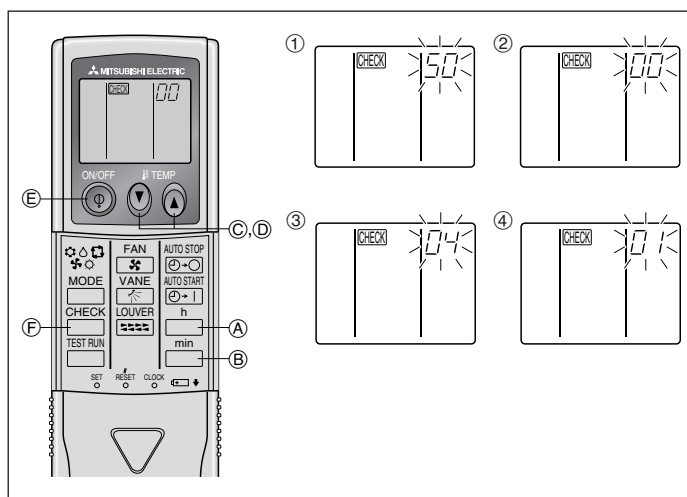


Fig. 6-9

4) Assigning a remote controller to each unit (Fig. 6-7)

Each unit can be operated only by the assigned remote controller. Make sure each pair of an indoor unit PC board and a remote controller is assigned to the same pair No.

5) Wireless remote controller pair number setting operation

- ① Press the SET button with something sharp at the end. Start this operation from the status of remote controller display turned off. **MODEL SELECT** blinks and Model No. is lighted.
- ② Press the $\frac{\text{min}}$ button twice continuously. Pair No. "0" blinks.
- ③ Press the temp \uparrow \downarrow button to set the pair number you want to set.
- ④ Press the SET button with something sharp at the end. Set pair number is lighted for three seconds then turned off.

| (A) Pair No. of wireless remote controller | Indoor PC board |
|--|-----------------|
| 0 | Factory setting |
| 1 | Cut J41 |
| 2 | Cut J42 |
| 3-9 | Cut J41, J42 |

6.3. Function settings

6.3.1 Function setting on the unit (Selecting the unit functions)

1) For wired remote controller (Fig. 6-8)

Changing the power voltage setting

- Be sure to change the power voltage setting depending on the voltage used.

- ① Go to the function setting mode. Switch OFF the remote controller. Press the (A) and (B) buttons simultaneously and hold them for at least 2 seconds. FUNCTION will start to flash.
- ② Use the (C) button to set the refrigerant address (III) to 00.
- ③ Press (D) and [-] will start to flash in the unit number (IV) display.
- ④ Use the (C) button to set the unit number (IV) to 00.
- ⑤ Press the (E) MODE button to designate the refrigerant address/unit number. [-] will flash in the mode number (I) display momentarily.
- ⑥ Press the (F) buttons to set the mode number (I) to 04.
- ⑦ Press the (G) button and the current set setting number (II) will flash. Use the (F) button to switch the setting number in response to the power supply voltage to be used.
Power supply voltage
230 V : setting number = 1
208 V : setting number = 2
- ⑧ Press the MODE button (E) and mode and the setting number (I) and (II) will change to being on constantly and the contents of the setting can be confirmed.
- ⑨ Press the FILTER (A) and TEST RUN (B) buttons simultaneously for at least two seconds. The function selection screen will disappear momentarily and the air conditioner OFF display will appear.

2) For wireless remote controller (Fig. 6-9)

Changing the power voltage setting

- Be sure to change the power voltage setting depending on the voltage used.

- ① Go to the function select mode. Press the $\frac{\text{CHECK}}$ button (F) twice continuously. (Start this operation from the status of remote controller display turned off.) **CHECK** is lighted and "00" blinks. Press the temp \uparrow button (C) once to set "50". Direct the wireless remote controller toward the receiver of the indoor unit and press the $\frac{\text{h}}$ button (A).
- ② Setting the unit number. Press the temp \uparrow \downarrow button (C) and (D) to set the unit number "00". Direct the wireless remote controller toward the receiver of the indoor unit and press the $\frac{\text{min}}$ button (B).
- ③ Selecting a mode. Enter 04 to change the power voltage setting using the \uparrow (C) and \downarrow (D) buttons. Direct the wireless remote controller toward the receiver of the indoor unit and press the $\frac{\text{h}}$ button (A).
Current setting number: 1 = 1 beep (one second)
2 = 2 beeps (one second each)
3 = 3 beeps (one second each)
- ④ Selecting the setting number. Use the \uparrow (C) and \downarrow (D) buttons to change the power voltage setting to 01 (240 V). Direct the wireless remote controller toward the sensor of the indoor unit and press the $\frac{\text{h}}$ button (A).
- ⑤ To select multiple functions continuously. Repeat steps ③ and ④ to change multiple function settings continuously.
- ⑥ Complete function selection. Direct the wireless remote controller toward the sensor of the indoor unit and press the $\frac{\text{h}}$ button (E).

Note:

Whenever changes are made to the function settings after installation or maintenance, be sure to record the changes with a mark in the "Setting" column of the Function table.

6.3.2 Function setting on the remote controller

Refer to the indoor unit operation manual.

6. Electrical work

Function table

Select unit number 00

| Mode | Settings | Mode no. | Setting no. | Initial setting | setting |
|----------------------------------|---|----------|-------------|-----------------|---------|
| Power failure automatic recovery | Not available | 01 | 1 | | |
| | Available *1 | | 2 | ○ | |
| Indoor temperature detecting | Indoor unit operating average | 02 | 1 | ○ | |
| | Set by indoor unit's remote controller | | 2 | | |
| | Remote controller's internal sensor | | 3 | | |
| LOSSNAY connectivity | Not Supported | 03 | 1 | ○ | |
| | Supported (indoor unit is not equipped with outdoor-air intake) | | 2 | | |
| | Supported (indoor unit is equipped with outdoor-air intake) | | 3 | | |
| Power voltage | 230 V | 04 | 1 | ○ | |
| | 208 V | | 2 | | |
| Auto mode (only for PUHZ) | Energy saving cycle automatically enabled | 05 | 1 | ○ | |
| | Energy saving cycle automatically disabled | | 2 | | |

Select unit numbers 01 to 03 or all units (AL [wired remote controller]/07 [wireless remote controller])

| Mode | Settings | Mode no. | Setting no. | Initial setting | setting |
|---|---|----------|-------------|-----------------|---------|
| Filter sign | 100Hr | 07 | 1 | ○ | |
| | 2500Hr | | 2 | | |
| | No filter sign indicator | | 3 | | |
| Fan speed | Standard (PLA)/Silent (PCA) | 08 | 1 | - | |
| | High ceiling ① (PLA)/Standard (PCA) | | 2 | - | |
| | High ceiling ② (PLA)/High ceiling (PCA) | | 3 | - | |
| No. of air outlets | 4 directions | 09 | 1 | - | |
| | 3 directions | | 2 | - | |
| | 2 directions | | 3 | - | |
| Installed options (high-performance filter) | Not supported | 10 | 1 | - | |
| | Supported | | 2 | - | |
| Up/down vane setting | No vanes | 11 | 1 | - | |
| | Equipped with vanes (vanes angle setup ①) | | 2 | - | |
| | Equipped with vanes (vanes angle setup ②) | | 3 | - | |
| Energy saving air flow (Heating mode) | Disabled | 12 | 1 | - | |
| | Enabled | | 2 | - | |

*1 When the power supply returns, the air conditioner will start 3 minutes later.

7. Test run

7.1. Before test run

- ▶ After completing installation and the wiring and piping of the indoor and outdoor units, check for refrigerant leakage, looseness in the power supply or control wiring, wrong polarity, and no disconnection of one phase in the supply.
- ▶ Use a 500-volt megohmmeter to check that the resistance between the power supply terminals and ground is at least 1.0 MΩ.

- ▶ Do not carry out this test on the control wiring (low voltage circuit) terminals.

⚠ Warning:

Do not use the air conditioner if the insulation resistance is less than 1.0 MΩ. Insulation resistance

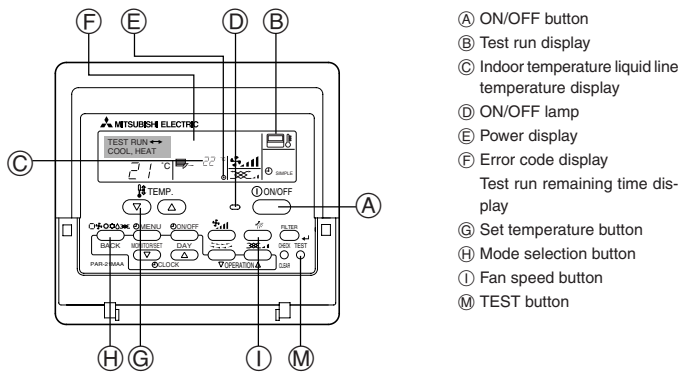


Fig. 7-1

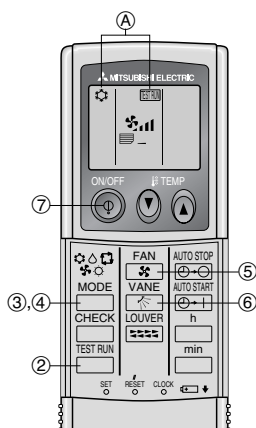


Fig. 7-2

7.2. Test run

The following 3 methods are available.

7.2.1. Using wired remote controller (Fig. 7-1)

- Turn on the power at least 12 hours before the test run.
- Press the [TEST] button twice. ⇒ "TEST RUN" liquid crystal display
- Press the [Mode selection] button. ⇒ Make sure that wind is blown out.
- Press the [Mode selection] button and switch to the cooling (or heating) mode. ⇒ Make sure that cold (or warm) wind is blown out.
- Press the [Fan speed] button. ⇒ Make sure that the wind speed is switched.
- Check operation of the outdoor unit fan.
- Release test run by pressing the [ON/OFF] button. ⇒ Stop
- Register a telephone number.

The telephone number of the repair shop, sales office, etc., to contact if an error occurs can be registered in the remote controller. The telephone number will be displayed when an error occurs. For registration procedures, refer to the operation manual for the indoor unit.

7.2.2. Using wireless remote controller (Fig. 7-2)

- Turn on the power to the unit at least 12 hours before the test run.
- Press the button twice continuously. (Start this operation from the status of remote controller display turned off.)
A and current operation mode are displayed.
- Press the button to activate COOL mode, then check whether cool air is blown out from the unit.
- Press the button to activate HEAT mode, then check whether warm air is blown out from the unit.
- Press the button and check whether fan speed changes.
- Press the button and check whether the auto vane operates properly.
- Press the ON/OFF button to stop the test run.

Note:

- Point the remote controller towards the indoor unit receiver while following steps ② to ⑦.
- It is not possible to run the in FAN, DRY or AUTO mode.

7. Test run

7.2.3. Using SW4 in outdoor unit

Refer to the outdoor unit installation manual.

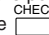
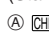
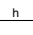
7.3. Self-check

7.3.1. Wired remote controller (Fig. 7-3)

- ① Turn on the power.
- ② Press the [CHECK] button twice.
- ③ Set refrigerant address with [TEMP] button if system control is used.
- ④ Press the [ON/OFF] button to stop the self-check.

- Ⓐ CHECK button
- Ⓑ Refrigerant address
- Ⓒ TEMP. button
- Ⓓ IC: Indoor unit
OC: Outdoor unit
- Ⓔ Check code
- Ⓕ Unit address

7.3.2. Wireless remote controller (Fig. 7-4)

- ① Turn on the power.
- ② Press the  button twice.
(Start this operation from the status of remote controller display turned off.)
- Ⓐ  begins to light.
- Ⓑ "00" begins to blink.
- ③ While pointing the remote controller toward the unit's receiver, press the  button. The check code will be indicated by the number of times that the buzzer sounds from the receiver section and the number of blinks of the operation lamp.
- ④ Press the ON/OFF button to stop the self-check.

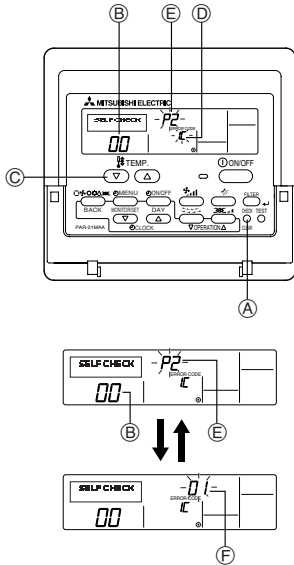


Fig. 7-3

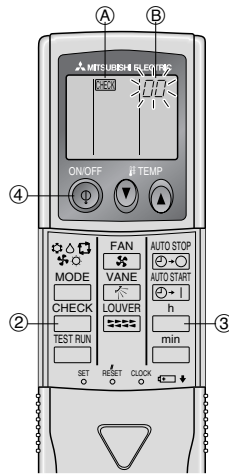
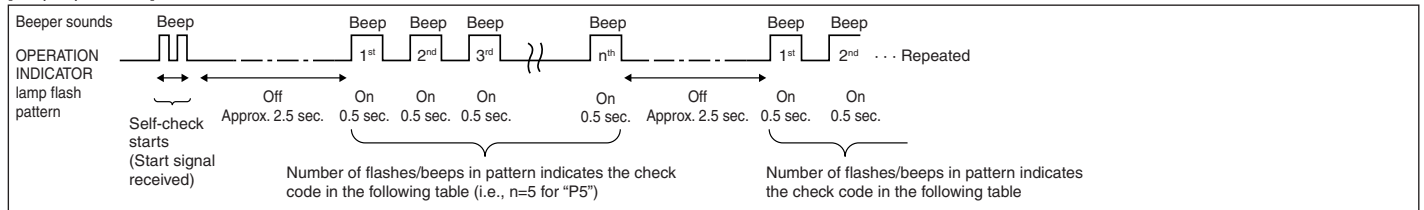


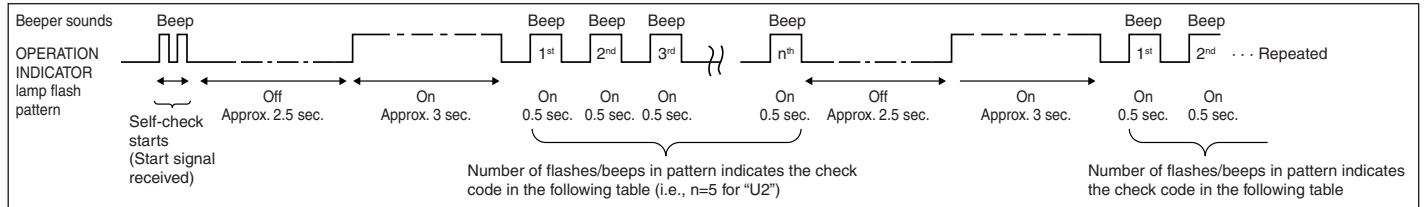
Fig. 7-4

- Refer to the following tables for details on the check codes. (Wireless remote controller)

[Output pattern A]



[Output pattern B]



[Output pattern A] Errors detected by indoor unit

| Wireless remote controller Beeper sounds/OPERATION INDICATOR lamp flashes (Number of times) | Wired remote controller Check code | Symptom | Remark |
|--|--|---|--------|
| 1 | P1 | Intake sensor error | |
| 2 | P2, P9 | Pipe (Liquid or 2-phase pipe) sensor error | |
| 3 | E6, E7 | Indoor/outdoor unit communication error | |
| 4 | P4 | Drain sensor error | |
| 5 | P5 | Drain pump error | |
| 6 | P6 | Freezing/Overheating safeguard operation | |
| 7 | EE | Communication error between indoor and outdoor units | |
| 8 | P8 | Pipe temperature error | |
| 9 | E4 | Remote controller signal receiving error | |
| 10 | — | — | |
| 11 | — | — | |
| 12 | Fb | Indoor unit control system error (memory error, etc.) | |
| No sound | ---- | No corresponding | |

7. Test run

[Output pattern B] Errors detected by unit other than indoor unit (outdoor unit, etc.)

| Wireless remote controller | Wired remote controller | Symptom | Remark |
|--|-------------------------|--|---|
| Beeper sounds/OPERATION INDICATOR lamp flashes (Number of times) | Check code | | |
| 1 | E9 | Indoor/outdoor unit communication error (Transmitting error) (Outdoor unit) | For details, check the LED display of the outdoor controller board. |
| 2 | UP | Compressor overcurrent interruption | |
| 3 | U3, U4 | Open/short of outdoor unit thermistors | |
| 4 | UF | Compressor overcurrent interruption (When compressor locked) | |
| 5 | U2 | Abnormal high discharging temperature/49C worked/insufficient refrigerant | |
| 6 | U1, Ud | Abnormal high pressure (63H worked)/Overheating safeguard operation | |
| 7 | U5 | Abnormal temperature of heat sink | |
| 8 | U8 | Outdoor unit fan safeguard stop | |
| 9 | U6 | Compressor overcurrent interruption/Abnormal of power module | |
| 10 | U7 | Abnormality of super heat due to low discharge temperature | |
| 11 | U9, UH | Abnormality such as overvoltage or voltage shortage and abnormal synchronous signal to main circuit/Current sensor error | |
| 12 | — | — | |
| 13 | — | — | |
| 14 | Others | Other errors (Refer to the technical manual for the outdoor unit.) | |

*1 If the beeper does not sound again after the initial two beeps to confirm the self-check start signal was received and the OPERATION INDICATOR lamp does not come on, there are no error records.

*2 If the beeper sounds three times continuously "beep, beep, beep (0.4 + 0.4 + 0.4 sec.)" after the initial two beeps to confirm the self-check start signal was received, the specified refrigerant address is incorrect.

- On wireless remote controller
The continuous buzzer sounds from receiving section of indoor unit.
Blink of operation lamp
- On wired remote controller
Check code displayed in the LCD.
- If the unit cannot be operated properly after the above test run has been performed, refer to the following table to remove the cause.

| Symptom | | Cause | |
|--|--|--|---|
| Wireless remote controller | Wired remote controller | | |
| PLEASE WAIT | For about 2 minutes following power-on | After LED 1, 2 are lighted, LED 2 is turned off, then only LED 1 is lighted. (Correct operation) | • For about 2 minutes following power-on, operation of the remote controller is not possible due to system start-up. (Correct operation) |
| PLEASE WAIT → Error code | After about 2 minutes has expired following power-on | Only LED 1 is lighted. → LED 1, 2 blink. | • Connector for the outdoor unit's protection device is not connected. • Reverse or open phase wiring for the outdoor unit's power terminal block (L1, L2, GR) |
| Display messages do not appear even when operation switch is turned ON (operation lamp does not light up). | | Only LED 1 is lighted. → LED 1 blinks twice, LED 2 blinks once. | • Incorrect wiring between indoor and outdoor units (incorrect polarity of S1, S2, S3) • Remote controller wire short |

On the wireless remote controller with condition above, following phenomena takes place.

- No signals from the remote controller are accepted.
- OPE lamp is blinking.
- The buzzer makes a short pipng sound.

Note:

Operation is not possible for about 30 seconds after cancellation of function selection. (Correct operation)

For description of each LED (LED 1, 2, 3) provided on the indoor controller, refer to the following table.

| | |
|---|---|
| LED 1 (power for microcomputer) | Indicates whether control power is supplied. Make sure that this LED is always lit. |
| LED 2 (power for remote controller) | Indicates whether power is supplied to the remote controller. This LED lights only in the case of the indoor unit which is connected to the outdoor unit refrigerant address "0". |
| LED 3 (communication between indoor and outdoor units only A-control) | Indicates state of communication between the indoor and outdoor units. Make sure that this LED is always blinking. |

Contenido

| | | | |
|--|----|--|----|
| 1. Medidas de Seguridad | 16 | 5. Tubería de drenaje (Fig. 5-1) | 20 |
| 2. Lugar en que se instalará | 17 | 6. Trabajo eléctrico | 21 |
| 3. Instalación de la unidad interior | 17 | 7. Prueba de funcionamiento | 26 |
| 4. Instalación de los tubos del refrigerante | 19 | 8. Función de mantenimiento fácil (opcional) | 29 |

1. Medidas de Seguridad

- ▶ **Antes de instalar la unidad, asegúrese de haber leído el capítulo de “Medidas de seguridad”.**
- ▶ **Informe al encargado del suministro u obtenga su consentimiento antes de conectar este equipo al sistema de suministro de alimentación.**

⚠ Atención:

Describe las precauciones que deben tenerse en cuenta para evitar el riesgo de lesiones o muerte del usuario.

⚠ Cuidado:

Describe las precauciones que deben tenerse en cuenta para evitar daños en la unidad.

⚠ Atención:

- La instalación del aire acondicionado debe correr a cargo del distribuidor o técnico autorizado.
- Para la instalación, siga las instrucciones del Manual de instalación y utilice las herramientas y piezas de fontanería específicamente diseñadas para utilizar con el refrigerante especificado en el manual de instalación de la unidad exterior.
- La unidad debe instalarse según las instrucciones para reducir posibles daños en caso de terremoto, huracán o vientos fuertes. Si no se instala correctamente, la unidad podría caerse y provocar daños o lesiones.
- La unidad debe instalarse firmemente sobre una estructura capaz de soportar su peso.
- Si el equipo de aire acondicionado se instala en una sala pequeña deberán tomarse medidas para prevenir que la concentración de refrigerante exceda los límites de seguridad en caso de fugas. Si se produce una fuga de refrigerante que sobrepase los límites de concentración, la estancia en la sala puede ser peligrosa por falta de oxígeno.

1.1. Cuestiones previas a la instalación (Ambiente)

⚠ Cuidado:

- No utilice la unidad en un ambiente enrarecido. Si instala el aire acondicionado en áreas expuestas al vapor, aceite esencial (incluyendo el aceite para máquinas), o humo sulfúrico, áreas con alto contenido en sal como playas, el rendimiento puede verse reducido significativamente y las piezas internas pueden dañarse.
- No instale la unidad donde se puedan verter, producir, circular o acumular gases inflamables. Si se acumula gas inflamable en zonas próximas a la unidad, se podría producir un incendio o una explosión.
- No coloque alimentos, plantas, animales, obras de arte o instrumentos de precisión en la salida de aire directa de la unidad exterior o demasiado cerca de ella, ya que los cambios de temperatura o el agua que gotea podrían dañarlos.

1.2. Antes de la instalación o reubicación

⚠ Cuidado:

- Tenga mucho cuidado cuando mueva las unidades. Se necesitan dos o más personas para llevar la unidad ya que pesa 20 kg, 44 lbs o más. No la sujete por las bandas de embalaje. Utilice guantes protectores ya que se podría lesionar con las aletas u otras partes.
- Guarde los embalajes en un lugar seguro. Los materiales de embalaje, como clavos y otras piezas de metal o de madera pueden producir pinchazos y otras lesiones.
- El tubo de refrigerante debe estar aislado térmicamente para evitar la condensación. Si el tubo de refrigerante no se aísla correctamente, se formará condensación.

1.3. Antes de la instalación eléctrica

⚠ Cuidado:

- Asegúrese de instalar disyuntores. Si no se instalan, se podrían producir descargas eléctricas.
- Use cables estándar de suficiente capacidad para las líneas eléctricas. Si no lo hace así, se podría producir un cortocircuito, un sobrecalentamiento o un incendio.

1.4. Antes de realizar las pruebas de funcionamiento

⚠ Cuidado:

- Conecte la corriente al menos 12 horas antes de que empiece a funcionar el equipo. Si se acciona inmediatamente después de haberlo conectado a la corriente, pueden producirse daños graves en las piezas internas.
- Antes de que comience a funcionar el equipo, compruebe que todos los paneles y protectores están instalados correctamente. Las piezas giratorias, calientes o de alto voltaje pueden provocar lesiones.
- No haga funcionar el equipo de aire acondicionado sin el filtro de aire instalado. Si el filtro de aire no está colocado, se puede acumular el polvo y se puede averiar el equipo.

Después de terminar la instalación, explique las “Medidas de Seguridad”, funcionamiento y mantenimiento de la unidad al cliente según el Manual de instrucciones y realice una prueba para asegurarse de que funciona correctamente. Entregue una copia del Manual de instalación y del Manual de instrucciones al usuario. Estos manuales deben pasar a usuarios posteriores del equipo.

⚡ : Indica una pieza que debe estar conectada a tierra.

⚠ Atención:

Lea atentamente las etiquetas adheridas a la unidad principal.

- Si se produce una fuga de refrigerante durante el funcionamiento, ventile la sala. Si el refrigerante entra en contacto con una llama, se desprenderán gases nocivos.
- Todas las conexiones eléctricas deberán ser realizadas por un técnico cualificado según la normativa local y las instrucciones de este manual.
- Utilice sólo cables especificados para el cableado.
- El panel de la cubierta del bloque de terminales de la unidad debe colocarse firmemente.
- Utilice sólo accesorios autorizados por Mitsubishi Electric y pida a su distribuidor o a un técnico autorizado que se los instale.
- El usuario nunca debe intentar reparar la unidad o moverla de sitio.
- Tras haber realizado la instalación, compruebe si hay fugas de refrigerante. Si en caso de fuga el refrigerante entra en contacto con las llamas de un calentador o de un equipo de cocina portátil, se desprenderán gases nocivos.

- Cuando la humedad de la habitación supera el 80%, o cuando el tubo de drenaje esté obstruido, puede gotear agua de la unidad interior. No instale la unidad interior en lugares donde el goteo pueda causar daños.
- Si instala la unidad en un hospital o en un centro de comunicaciones, recuerde que la unidad produce ruidos e interferencias electrónicas. Los conmutadores, aparatos domésticos, equipos médicos de alta frecuencia y las comunicaciones de radio pueden provocar un mal funcionamiento o la avería del equipo de aire acondicionado. El equipo de aire acondicionado también puede afectar los equipos médicos e interrumpir los cuidados médicos, así como los equipos de comunicación y dañar la calidad de la pantalla.

- Sitúe material aislante térmico en las tuberías para evitar la condensación. Si el tubo de drenaje no se instala correctamente, se puede producir un escape de agua o daños en el techo, suelo, muebles u otros objetos.
- No limpie con agua el equipo de aire acondicionado. Puede sufrir una descarga eléctrica.
- Apriete las tuercas de abocardado a los niveles especificados mediante una llave dinamométrica. Si las aprieta demasiado, se pueden romper al cabo de un tiempo.

- Cuando instale las líneas eléctricas, los cables no deben tener corriente.
- Asegúrese de instalar una toma de tierra. Si la unidad no está bien conectada a la línea de tierra, se puede producir una descarga eléctrica.
- Utilice disyuntores (interruptor de falta de tierra, interruptor aislante (+fusible B) e interruptores en caja moldeada) con la potencia especificada. Si la potencia del interruptor es mayor que la especificada, puede ocurrir un incendio o una avería.

- No toque ningún interruptor con las manos mojadas. Puede sufrir una descarga eléctrica.
- No toque la tubería del refrigerante sin guantes mientras durante el funcionamiento.
- Una vez deje de funcionar el aparato, espere cinco minutos antes de apagar el interruptor principal. De lo contrario, se puede producir un goteo de agua o una avería.

2. Lugar en que se instalará

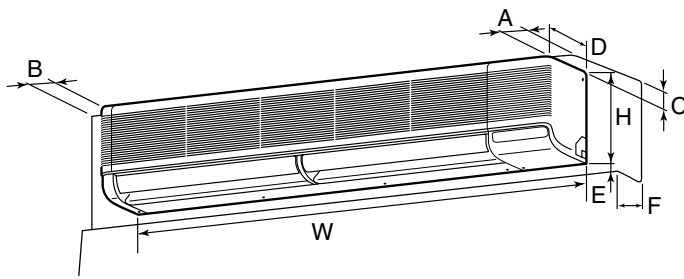


Fig. 2-1

3. Instalación de la unidad interior

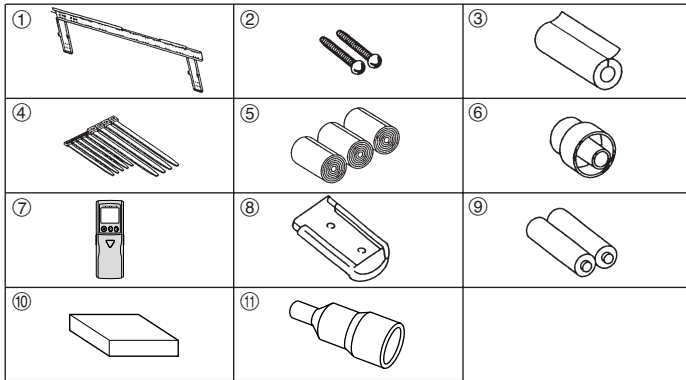
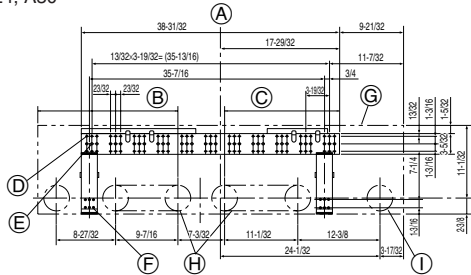


Fig. 3-1

■ A24, A30

(inch)



■ A36

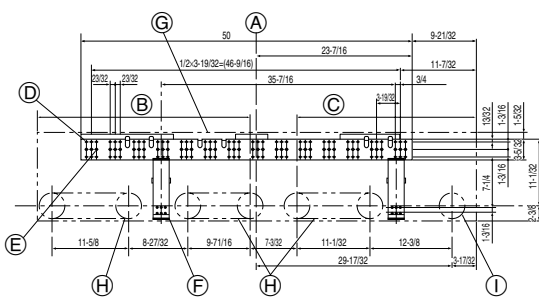


Fig. 3-2

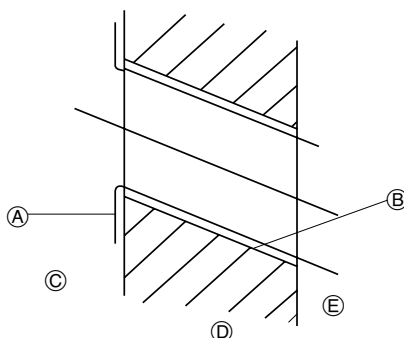


Fig. 3-3

2.1. Dimensiones exteriores (Unidad interior) (Fig. 2-1)

Seleccione una posición adecuada, de forma que queden las siguientes distancias para proceder a la instalación y al mantenimiento. (mm) (inch)

| Modelos | W | D | H | A | B | C | E | F |
|----------|-----------------|--------------|---------------|--------------------------|-------------------|------------------------|---------------------|--------------------------|
| A24, A30 | 1400 55-1/8 | 235 9-1/4 | 340 13-3/8 | Min. 150 Min. 5-15/16 | Min. 50 Min. 2 | Min. 30 Min. 1-3/16 | Max. 250 Max. 10 | Max. 150 Min. 5-15/16 |
| A36 | 1680 66-5/32 | 235 9-1/4 | 340 13-3/8 | Min. 150 Min. 5-15/16 | Min. 50 Min. 2 | Min. 30 Min. 1-3/16 | Max. 250 Max. 10 | Max. 150 Min. 5-15/16 |

⚠ Atención:

Instale la unidad interior en un techo suficientemente fuerte para soportar el peso de la unidad.

2.2. Dimensiones exteriores (Unidad exterior)

Consulte el manual de instalación de la unidad exterior.

3.1. Comprobación de los accesorios de la unidad interior (Fig. 3-1)

La unidad interior debe ir acompañada de los siguientes accesorios.

| NÚMERO | ACCESORIO | CANTIDAD | UBICACIÓN |
|--------|---------------------------------|--------------------------|--|
| ① | Soporte de fijación en la pared | 1 | Fijado a la parte trasera de la unidad |
| ② | Tornillo roscado 4 x 35 | 12 | Dentro de la unidad para PKA-A-FAL para PKA-A-FA |
| ③ | Material aislante | 2 | |
| ④ | Brida | 4 (grande) + 5 (pequeña) | |
| ⑤ | Cinta de fieltro | 3 | |
| ⑥ | Casquillo de drenaje | 1 | |
| ⑦ | Control remoto inalámbrico | 1 | |
| ⑧ | Soporte para el control remoto | 1 | |
| ⑨ | Pilas alcalinas | 2 | |
| ⑩ | Controlador remoto cableado | 1 | |
| ⑪ | Adaptador de desagüe | 1 | |

⑦ - ⑨ se guardan en una sección recortada del material de embalaje (poliestireno).

3.2. Instalación del soporte de montaje en la pared (Fig. 3-2)

- Determine las posiciones del soporte de montaje y de las tuberías.
 - Con la ayuda del soporte de montaje determine dónde se colocará la unidad y los lugares en que se hará un agujero para las tuberías.

⚠ Atención:

Antes de hacer los agujeros de la pared, consulte al contratista.

- Ⓐ Línea central de la unidad interior
- Ⓑ Área de drenaje izquierda
- Ⓒ Área de drenaje derecha
- Ⓓ Agujero para el tornillo roscado
- Ⓔ Agujero de perno
- Ⓕ Agujero para el tornillo roscado
- Ⓖ Perfil de la unidad
- Ⓗ Agujero ciego para la tubería posterior izquierda
- Ⓘ Agujero de acceso a las tuberías traseras (90-100 mm, 3-9/16 a 4 inch de diámetro)

2) Hacer el agujero para las tuberías (Fig. 3-3)

- Utilice una broca hueca para hacer en la pared una perforación de 90-100 mm, 3-9/16 a 4 inch de diámetro en la dirección de las tuberías, en la posición indicada en el diagrama de la izquierda.
- La perforación de la pared debe inclinarse, de manera que el orificio exterior esté más bajo que el orificio interior.
- Introduzca un manguito por el agujero (de 90 mm, 3-9/16 inch de diámetro y comprado en su localidad).

Nota:

El objetivo de la inclinación del agujero perforado es facilitar el drenaje.

- Ⓐ Manguito
- Ⓑ Agujero
- Ⓒ (lado interior)
- Ⓓ Pared
- Ⓔ (lado exterior)

3. Instalación de la unidad interior

1 A24, A30

(inch)

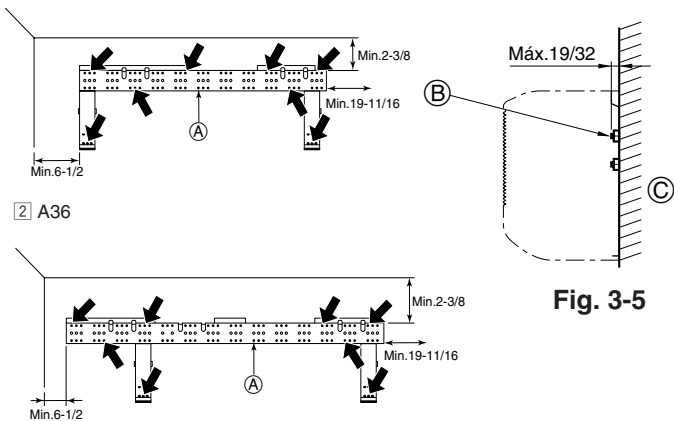


Fig. 3-5

Fig. 3-4

3) Instalación del soporte de montaje en la pared

- ▶ Como la unidad interior pesa casi 30 kg, 66 lbs, tendrá que tener en cuenta el lugar de montaje. Si la pared no parece lo suficientemente fuerte, refuércela con tablas y vigas antes de instalar la unidad.
- ▶ El soporte de montaje se fijará por ambos extremos y por el centro, si es posible. No lo fije nunca por un solo punto o de manera asimétrica. (Si es posible, sujete el soporte por todos los lados marcados con una flecha gruesa.) (Fig. 3-4)
- ▶ Fije el soporte de montaje por la fila del medio, con agujeros de 12 mm, 1/2 inch de diámetro, con pernos pasantes, pernos de anclaje y pernos de rosca disponibles en la localidad con roscas del tipo M10 o W3/8. La punta del perno no puede sobresalir más de 15 mm, 9/32 inch de la pared. (Fig. 3-5) Utilice como mínimo dos pernos si la pared es de hormigón y cuatro pernos si es de hormigón celular.

▲ Soporte de fijación en la pared B) Perno de montaje C) Pared

⚠ **Atención:**

Si es posible, fije el soporte en todas las posiciones marcadas con una flecha.

⚠ **Cuidado:**

La unidad se tiene que montar horizontalmente.

3.3. Preparación para conectar las tuberías

Retire la tira de vinilo que sujeta la tubería de drenaje.

- La tira de vinilo puede servir para atar temporalmente los tubos al soporte de montaje en la pared mientras se conecta el tubo izquierdo.

1) Tuberías trasera, derecha e inferior (Fig. 3-6)

- 1) Quite el panel lateral derecho.

2) Tuberías izquierda y posterior izquierda

- 1) Retire el panel lateral.

Empotrado de tubos en la pared (Fig. 3-7)

Cuando tengan que empotrarse previamente en la pared el tubo de refrigerante, los tubos de drenaje, líneas de conexión internas/externas, etc., probablemente deberán ser doblados y su longitud tendrá que adaptarse a la unidad.

- Empotre los tubos de modo que su longitud sea ligeramente mayor que lo necesario y proceda a la instalación.

A) Panel lateral derecho C) Tubería local
B) Agujero pasante D) Soporte de fijación en la pared 1

- 2) Quite los cinco tornillos marcados con las flechas en el dibujo. (Fig. 3-8)

- 3) Retire el panel lateral izquierdo y el panel inferior.

1. Al tiempo que levanta la parte inferior frontal del panel lateral (para separar el enganche del panel lateral del enganche de la unidad), desplace la parte superior del panel lateral hacia la izquierda.

- Cuando la unidad interior esté montada, asegúrese de que la unidad no puede caerse del soporte de montaje.

- Para volver a montarlo, ponga el enganche de la parte frontal bajo el panel lateral por encima de la unidad y empuje de izquierda a derecha.

A) Parrilla D) Enganche
B) Panel lateral izquierdo E) Panel lateral
C) Panel inferior F) Unidad

* Estructura del panel lateral y de la unidad (Fig. 3-9)

1. El enganche del panel acciona el enganche de la unidad.
2. El enganche del panel se coloca en el agujero de la unidad.
3. El enganche del panel acciona el enganche de la unidad.
4. La hoja de metal de la unidad se introduce en el panel.
5. El enganche del panel se introduce en el agujero de la unidad.

- 4) La manguera de desagüe se puede conectar a dos posiciones diferentes. Utilice la posición más conveniente y, si es necesario, intercambie la posición de la cubeta de desagüe, tapón de caucho y manguera de desagüe. (Fig. 3-10)

G) Cubeta de desagüe
H) Brida
I) Tapón de caucho
J) Manguera de desagüe
K) Destornillador

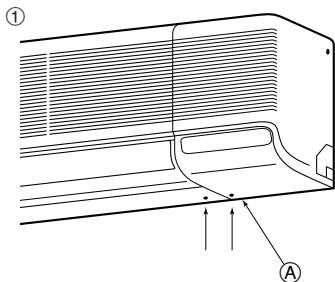


Fig. 3-6

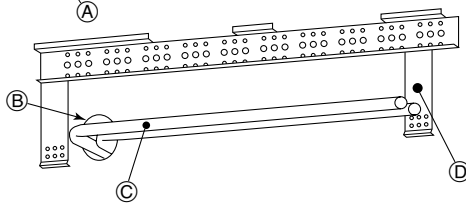


Fig. 3-7

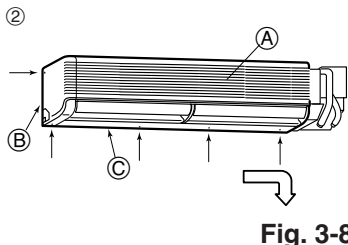


Fig. 3-8

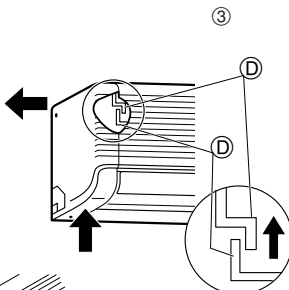


Fig. 3-9

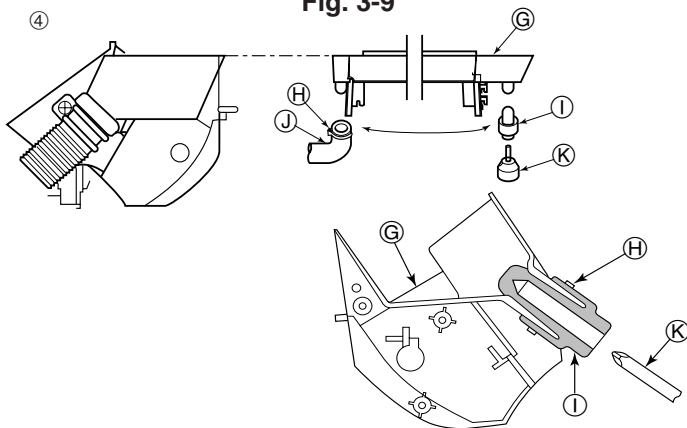


Fig. 3-10

3. Instalación de la unidad interior

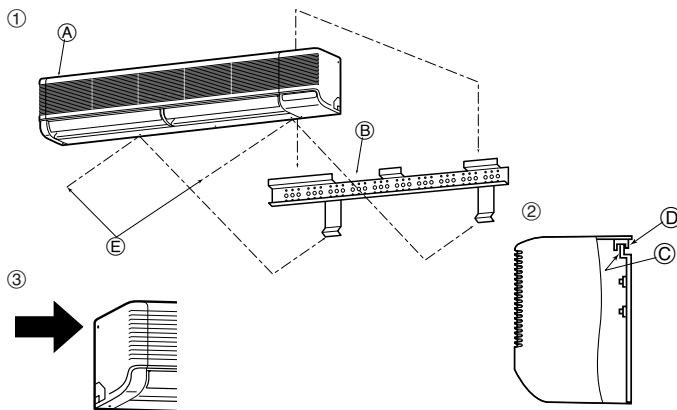


Fig. 3-11

4. Instalación de los tubos del refrigerante

4.1. Precauciones

3.4. Montaje de la unidad interior (Fig. 3-11)

- ① Asegúrese de colgar los enganches de metal de la unidad interior en los ganchos del soporte de montaje.
- ② Cuando el trabajo de tuberías esté terminado, utilice los tornillos de fijación para sujetar la unidad interior al soporte de montaje.

Nota:

Compruebe que los enganches de la unidad interior encajan perfectamente con los ganchos del soporte de montaje.

- ③ El tornillo señalado por la flecha en la fig. se utiliza sólo durante el transporte y se tiene que quitar. Saque el tornillo antes de instalar el aparato si no hay suficiente espacio a la izquierda para quitarlo una vez la unidad está montada.

- Ⓐ Unidad interior
- Ⓑ Soporte de fijación en la pared ①
- Ⓒ Gancho
- Ⓓ Enganche de metal de la unidad interior
- Ⓔ Tornillos de fijación

4.1.1. Para aparatos con refrigerante R410A

- Utilice aceite de éster, de éter o alquilobenceno (en pequeñas cantidades) para recubrir las secciones abocardadas.
- Utilice tubos de cobre fosforoso del tipo C1220 y tubos de aleación de cobre sin costuras para conectar los tubos del refrigerante. Utilice tuberías para refrigerante del grosor especificado en la tabla siguiente. Asegúrese de que el interior de las tuberías está limpio y que no contienen ningún contaminante nocivo como compuestos sulfúricos, oxidantes, restos o polvo.

⚠ Atención:

Cuando instale o mueva el equipo de aire acondicionado, utilice sólo el refrigerante indicado (R410A) para cargar los tubos de refrigerante. No lo mezcle con otro tipo de refrigerante y vacíe completamente de aire los tubos. El aire que quede en los tubos puede provocar picos de presión que causarían su rotura y otros daños.

| | A24, A30, A36 |
|-----------------|--|
| Tubo de líquido | ø9,52 mm, 3/8 inch grosor 0,8 mm, 1/32 inch |
| Tubo de gas | ø15,88 mm, 5/8 inch grosor 1,0 mm, 3/64 inch |

- No utilice tubos con un grosor menor del especificado a continuación.

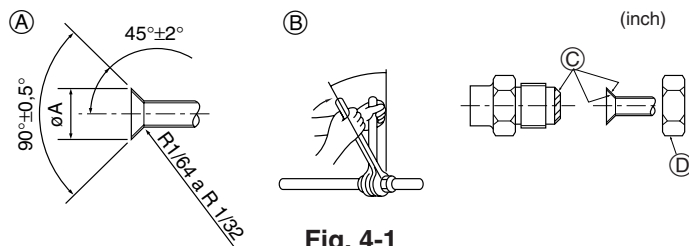


Fig. 4-1

Ⓐ Dimensiones del corte abocinado

| Tubo de cobre O.D. (mm, inch) | Dimensiones de abocinado (mm, inch) |
|-------------------------------|-------------------------------------|
| ø6,35, 1/4" | 8,7 - 9,1, 11/32-23/64 |
| ø9,52, 3/8" | 12,8 - 13,2, 1/2-33/64 |
| ø12,7, 1/2" | 16,2 - 16,6, 41/64-21/32 |
| ø15,88, 5/8" | 19,3 - 19,7, 49/64-25/32 |

4.2. Tubos de conexión (Fig. 4-1)

- Si se utilizan tubos de cobre convencionales, envuelva los tubos de gas y líquido con materiales aislantes (resistente al calor hasta 100 °C, 212°F o más, espesor de 12 mm, 1/2 inch o más).
- Las piezas interiores del tubo de drenaje tienen que estar envueltas en materiales aislantes de espuma de polietileno (gravedad específica de 0,03 y espesor de 9 mm, 23/64 inch o más).
- Aplique una capa delgada de aceite refrigerante a la superficie tubo y de la junta de asiento antes de apretar la tuerca de abocardado.
- Utilice dos llaves de apriete para apretar las conexiones de los tubos.
- Utilice el aislante de tubería de refrigerante suministrado para aislar las conexiones de la unidad interior. Realice los aislamientos con cuidado.

Ⓑ Torsión de apriete de la tuerca abocardada

| Tubo de cobre O.D. (mm, inch) | Tuerca de abocardado O.D. (mm, inch) | Torsión de apriete (N·m, ft·lbs) |
|-------------------------------|--------------------------------------|----------------------------------|
| ø6,35, 1/4" | 17, 43/64 | 14 - 18, 10-13 |
| ø9,52, 3/8" | 22, 7/8 | 34 - 42, 25-30 |
| ø12,7, 1/2" | 26, 1-3/64 | 49 - 61, 35-44 |
| ø15,88, 5/8" | 29, 1-9/64 | 68 - 82, 49-59 |

- Ⓒ Aplique aceite refrigerante para máquinas en toda la superficie abocinada.
- Ⓓ Utilice tuercas abocardadas que coincidan con el tamaño de la tubería de la unidad exterior.

Tamaños de tubería disponibles

| | A24, A30, A36 |
|------------------|---------------|
| Lado del líquido | — |
| | ø9,52 |
| Lado del gas | — |
| | ø15,88 |

- : Accesorio de fábrica para acoplar la tuerca abocardada al intercambiador de calor.

4. Instalación de los tubos del refrigerante

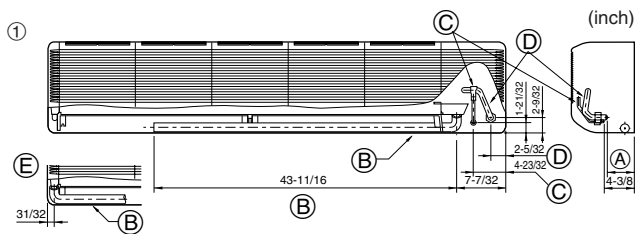


Fig. 4-2

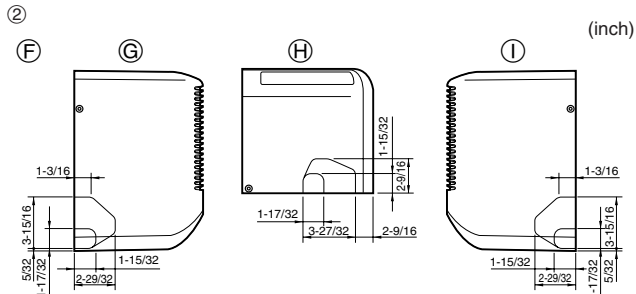


Fig. 4-3

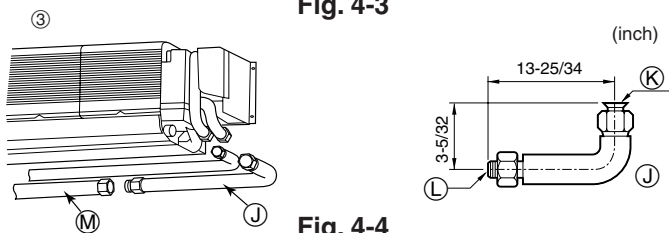


Fig. 4-4

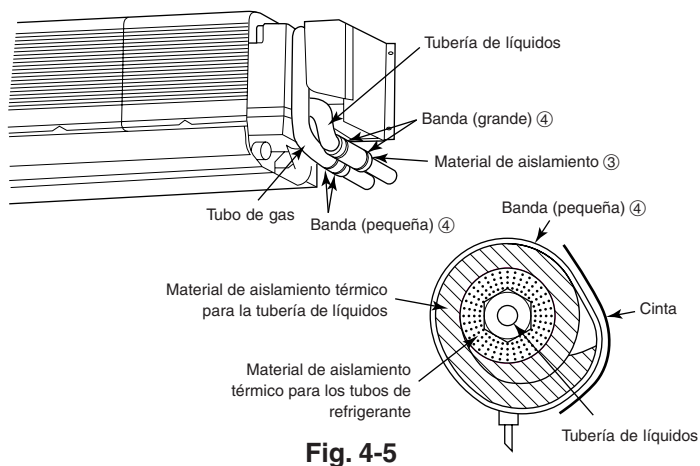


Fig. 4-5

5. Tubería de drenaje (Fig. 5-1)

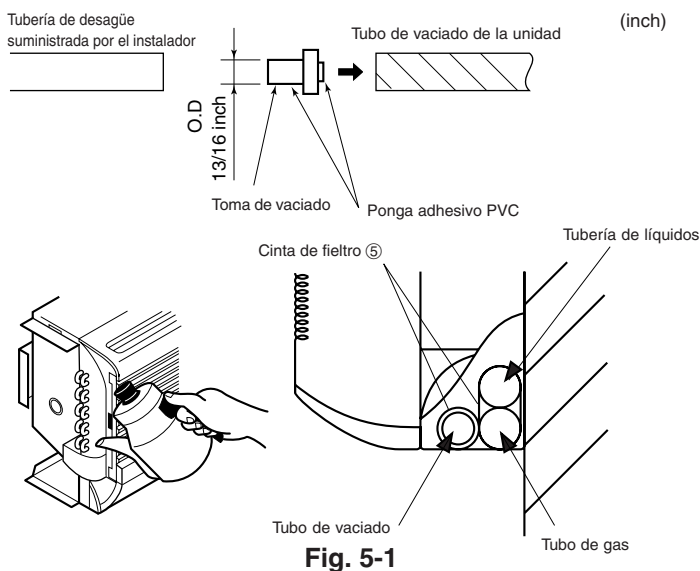


Fig. 5-1

4.3. Colocación de los tubos del refrigerante y de drenaje

- ① Posición de los tubos del refrigerante y de drenaje (Fig. 4-2)
- ② Determine la posición de los agujeros ciegos en la unidad (Fig. 4-3)

⚠ Cuidado:

El panel lateral se tiene que quitar antes de hacer los agujeros. Si hace un agujero con el panel puesto, puede dañar el tubo del refrigerante situado en el interior de la unidad.

- ③ Tubo de conexión en L (para la tubería de gas) (Fig. 4-4)

- | | |
|---|--|
| Ⓐ 107 mm, 4-7/32 inch (A24, A30), | Ⓔ Para la tubería izquierda |
| 102 mm, 4-1/32 inch (A36) | Ⓕ Para la tubería inferior |
| Ⓑ Manguera de desagüe | Ⓖ Para la tubería derecha |
| Ⓒ Tubo de líquido | Ⓙ Tubo de conexión en L (opcional) |
| Ⓓ Tubo de gas | Ⓚ Parte lateral de la unidad |
| Ⓔ Manguera de desagüe en la tubería izquierda | Ⓛ Lado por donde se conecta la tubería in situ |
| Ⓕ Agujeros ciegos en la unidad | Ⓜ Tubo |

4.4. Tuberías aislantes (Fig. 4-5)

Consulte el procedimiento de aislamiento en la Fig. 4-5.

- Utilice una tubería de PVC (I.D. \varnothing 20 mm, 13/16 inch) para la tubería de desagüe y prevea una pendiente de descenso de 1/100 o más.
- Con el adaptador de desagüe suministrado se pueden utilizar tuberías de PVC de otros tamaños.
- Los tubos de drenaje se pueden cortar con un cuchillo en el punto de conexión de acuerdo con las condiciones del lugar.
- Cuando conecte una tubería de PVC, utilice adhesivo para acoplar el tubo de desagüe.
- Para evitar el goteo de condensación, coloque cinta de fieltro ⑤ sobre los materiales aislantes en la tubería de desagüe.

⚠ Cuidado:

El tubo de drenaje se instalará de acuerdo con el Manual de Instalación para garantizar el drenaje correcto. El aislamiento térmico de los tubos de drenaje es necesario para evitar la condensación. Si los tubos de drenaje no se instalan y se aíslan correctamente, la condensación puede gotear por el techo, el suelo u otras propiedades.

6. Trabajo eléctrico

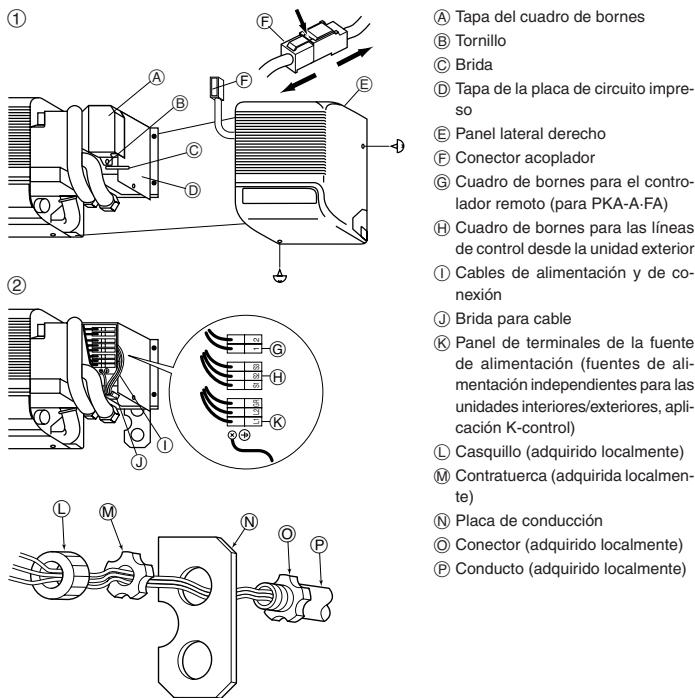


Fig. 6-1

6.1. Unidad interior (Fig. 6-1)

① Retire el panel lateral derecho.

Para ello, saque los tornillos de las partes derecha e inferior.

Quite el tornillo de fijación de la tapa del cuadro de bornes para quitar la tapa.

② Conecte la línea de alimentación y control. (3 × 2,5 mm² 2 polos).

► **Esta línea debe ser como mínimo de cable flexible forrado de policloropreno. (diseño 245 IEC 57)**

► **Fije el cable de la fuente de alimentación a la caja de control usando un casquillo separador para mantener la fuerza de tensión (conexión PG o similar).**

• Como la caja eléctrica se tendrá que extraer para el mantenimiento y otras tareas, los cables deben estar flojos.

• Se tiene que efectuar una conexión a tierra del tipo 3 (sección del cable de masa: mínimo 2,5 mm²).

Una vez acabado el cableado, vuelva a colocar las piezas extraídas en el orden inverso.

⚠ **Atención:**

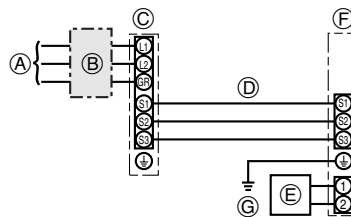
La conexiones se tienen que realizar de manera que los cables de alimentación no queden tensos. De lo contrario se puede producir fuego o un sobrecalentamiento.

6.1.1. Alimentación de la unidad interior suministrada por la unidad exterior (aplicación A-control)

Están disponibles los siguientes patrones de conexión.

Los patrones de la fuente de alimentación de la unidad exterior varían en función del modelo.

Sistema 1:1



- Ⓐ Alimentación de la unidad exterior
- Ⓑ Disyuntor de cableado o interruptor aislante
- Ⓒ Unidad exterior
- Ⓓ Cables de conexión de la unidad interior/ unidad exterior
- Ⓔ Controlador remoto (Sólo para PKA-A-FA)
- Ⓕ Unidad interior
- Ⓖ Cable a tierra de la unidad interior

* Coloque una de las etiquetas A incluidas con los manuales cerca de cada esquema de cableado de las unidades interiores y exterior.

| | | | |
|--|---|-----|----------------------|
| Modelo de la unidad interior | | PKA | |
| Alimentación de la unidad interior | | — | |
| Amperaje mínimo del circuito | | 1A | |
| Capacidad máxima del dispositivo de protección contra sobrecorriente | | 15A | |
| Cableado Cable n° × tamaño | Alimentación de la unidad interior | — | |
| | Cable a tierra de la fuente de alimentación de la unidad interior | — | |
| | Unidad interior-unidad exterior | *1 | 3 × AWG16 (polar) |
| | Cable a tierra de la unidad interior | | 1 × Min. AWG16 |
| | Control remoto - unidad interior | *2 | 2 × AWG22 (No-polar) |
| Rango del circuito | Unidad interior L1-L2 | *3 | — |
| | Unidad interior-unidad exterior S1-S2 | *3 | AC 208/230 V |
| | Unidad interior-unidad exterior S2-S3 | *3 | DC24 V |
| | Control remoto - unidad interior | *3 | DC12 V |

*1. Máx. 50 m, 165ft

*2. Se coloca un cable de 10 m, 30ft al accesorio del controlador remoto. Máx. 500 m, 1500ft (Sólo para PKA-A-FA)

*3. Los valores NO siempre se aplican a la toma a tierra.

El terminal S3 dispone de DC24V frente al terminal S2. Entre S3 y S1, estos terminales no están aislados eléctricamente por el transformador u otro dispositivo.

Notas: 1. El diámetro de los cables debe cumplir la normativa local y nacional.

2. Utilice cables de cobre.

3. Utilice cables con un régimen nominal de 300 V o superior para los cables de la fuente de alimentación y los cables de conexión de las unidades interior/exterior.

4. Instale un cable de toma de tierra más largo que el resto de los cables.

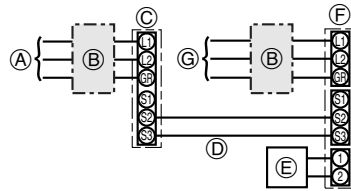
6. Trabajo eléctrico

6.1.2. Separe las fuentes de alimentación de la unidad interior y la unidad exterior (aplicación A-control)

Están disponibles los siguientes patrones de conexión.

Los patrones de la fuente de alimentación de la unidad exterior varían en función del modelo.

Sistema 1:1



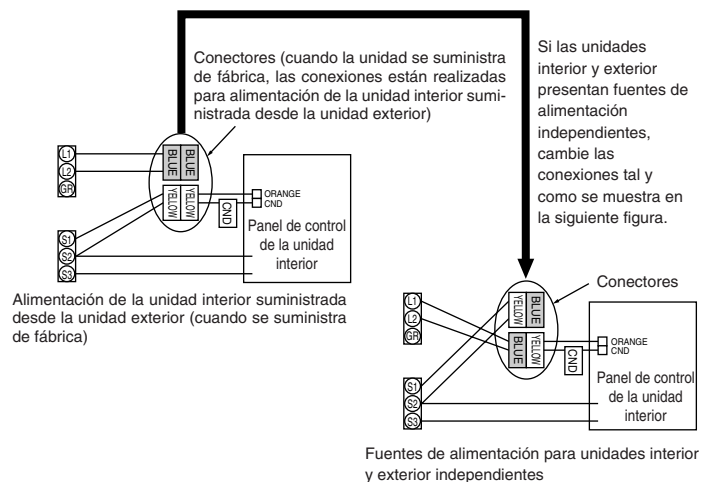
- (A) Alimentación de la unidad exterior
- (B) Disyuntor de cableado o interruptor aislante
- (C) Unidad exterior
- (D) Cables de conexión de la unidad interior/unidad exterior
- (E) Controlador remoto (Sólo para PKA-A-FA)
- (F) Unidad interior
- (G) Alimentación de la unidad interior

* Coloque una de las etiquetas B incluidas con los manuales cerca de cada esquema de cableado de las unidades interiores y exterior.

Si las unidades interior y exterior reciben alimentación independiente, consulte la tabla que aparece más abajo. Cambie el cableado de la caja de conexiones de la unidad interior siguiendo la figura de la derecha y los ajustes del conmutador DIP del panel de control de la unidad exterior.

| | Especificaciones de las unidades interiores | | | | | | | | |
|---|--|----|---|--|---|-----|---|---|--|
| Cambio de conexiones de la caja de conexiones de la unidad interior | Necesario | | | | | | | | |
| Etiqueta colocada cerca de cada esquema de cableado de las unidades interiores y exterior | Necesario | | | | | | | | |
| Ajustes del conmutador DIP de la unidad exterior (sólo si se utilizan fuentes de alimentación independientes para las unidades interiores y exterior) | <table border="1" style="margin-left: auto; margin-right: auto;"> <tr> <td>ON</td> <td></td> <td></td> <td>3</td> </tr> <tr> <td>OFF</td> <td>1</td> <td>2</td> <td></td> </tr> </table> (SW8) | ON | | | 3 | OFF | 1 | 2 | |
| ON | | | 3 | | | | | | |
| OFF | 1 | 2 | | | | | | | |

* Hay tres tipos de etiquetas (etiquetas A, B y C). Coloque las etiquetas adecuadas en las unidades según el método de cableado.



| Modelo de la unidad interior | PKA | |
|--|---|-------------------------|
| Alimentación de la unidad interior | Monofase 208/230 V, 60 Hz | |
| Amperaje mínimo del circuito | 1 A | |
| Capacidad máxima del dispositivo de protección contra sobrecorriente | 15A | |
| Cableado Cable n° x tamaño | Alimentación de la unidad interior | 2 x Min. AWG16 |
| | Cable a tierra de la fuente de alimentación de la unidad interior | 1 x Min. AWG16 |
| | Unidad interior-unidad exterior | *1 2 x AWG22 (polar) |
| | Cable a tierra de la unidad interior | - |
| Rango del circuito | Control remoto - unidad interior | *2 2 x AWG22 (No-polar) |
| | Unidad interior L1-L2 | *3 AC 208/230 V |
| | Unidad interior-unidad exterior S1-S2 | *3 - |
| | Unidad interior-unidad exterior S2-S3 | *3 DC24 V |
| | Control remoto - unidad interior | *3 DC12 V |

*1. Máx. 50 m, 165ft

*2. Se coloca un cable de 10 m, 30ft al accesorio del controlador remoto. Máx. 500 m, 1500ft

*3. Los valores NO siempre se aplican a la toma a tierra.

- Notas:**
1. El diámetro de los cables debe cumplir la normativa local y nacional.
 2. Utilice cables de cobre.
 3. Utilice cables con un régimen nominal de 300 V o superior para los cables de la fuente de alimentación.
 4. Instale un cable de toma de tierra más largo que el resto de los cables.

6. Trabajo eléctrico

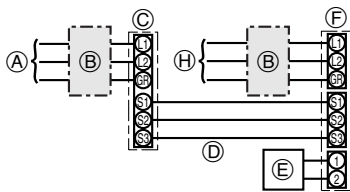
6.1.3. aplicación K-control

Están disponibles los siguientes patrones de conexión.

Los patrones de la fuente de alimentación de la unidad exterior varían en función del modelo.

Sistema 1:1

<Para modelos con bomba de calor>

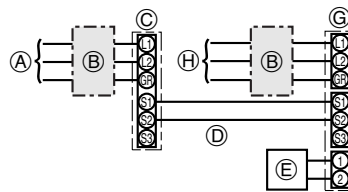


Ajuste el conmutador DIP del panel de control de la unidad interior.

| | | | | | | | |
|-----|---|---|--|--|--|--|--|
| SW5 | 1 | | | | | | |
| | 2 | 3 | | | | | |

SW5-1 : ON SW5-2, 3 : OFF

<Para modelos sólo con refrigeración>



Ajuste el conmutador DIP del panel de control de la unidad interior.

| | | | | | | | |
|-----|---|---|---|--|--|--|--|
| SW5 | 1 | 2 | | | | | |
| | | | 3 | | | | |

SW5-1, 2 : ON SW5-3 : OFF

- (A) Alimentación de la unidad exterior
- (B) Disyuntor de cableado o interruptor aislante
- (C) Unidad exterior
- (D) Cables de conexión de la unidad interior/unidad exterior
- (E) Controlador remoto (Sólo para PKA-A-FA)
- (F) Unidad interior <Para modelos con bomba de calor>
- (G) Unidad interior <Para modelos sólo con refrigeración>
- (H) Alimentación de la unidad interior

* Coloque una de las etiquetas B incluidas con los manuales cerca de cada esquema de cableado de las unidades interiores y exterior.

Para cambiar a K-control, ajuste el conmutador DIP (SW5) del panel de control de la unidad interior de la manera mostrada en la figura anterior, y cambie el cableado eléctrico de la unidad interior de la manera indicada en la figura de la derecha.

Ajuste el conmutador DIP después de colocar el interruptor de la fuente de alimentación en la posición de apagado.

Tenga en cuenta que el ajuste del conmutador DIP (SW5) del panel de control de la unidad interior varía dependiendo del modelo (modelos con bomba de calor y modelos con refrigeración).

Conmutador DIP (SW5)

| | OFF (DESACTIVADO) | ON (ACTIVADO) |
|-------|----------------------------|--------------------------------|
| SW5-1 | A-CONTROL | K-CONTROL |
| SW5-2 | modelos con bomba de calor | modelos sólo con refrigeración |
| SW5-3 | PRINCIPAL | SECUNDARIA |

Los conmutadores DIP SW 5-2 y SW 5-3 sólo surten efecto cuando el conmutador DIP 5-1 (K-CONTROL) está activado (ON).

* Hay tres tipos de etiquetas (etiquetas A, B y C). Coloque las etiquetas adecuadas en las unidades según el método de cableado.

| Modelo de la unidad interior | PKA | |
|--|---|--|
| Alimentación de la unidad interior | Monofase 208/230 V, 60 Hz | |
| Amperaje mínimo del circuito | 1 A | |
| Capacidad máxima del dispositivo de protección contra sobrecorriente | 15A | |
| Cableado Cable n° x tamaño | Alimentación de la unidad interior | 2 x Min. AWG16 |
| | Cable a tierra de la fuente de alimentación de la unidad interior | 1 x Min. AWG16 |
| | Unidad interior-unidad exterior *1 | H/P: 3 x AWG22 (polar) C/O: 2 x AWG22 (polar) |
| | Cable a tierra de la unidad interior | - |
| Rango del circuito | Control remoto - unidad interior | 2 x AWG22 (No polar) |
| | Unidad interior L1-L2 *2 | AC 208/230 V |
| | Unidad interior-unidad exterior S1-S2 | DC12 V |
| | Unidad interior-unidad exterior S1-S3 | DC12 V |
| | Control remoto - unidad interior | DC12 V |

*1. Máx. 50 m, 165ft

*2. Se coloca un cable de 10 m, 30ft al accesorio del controlador remoto. Máx. 500 m, 1500ft

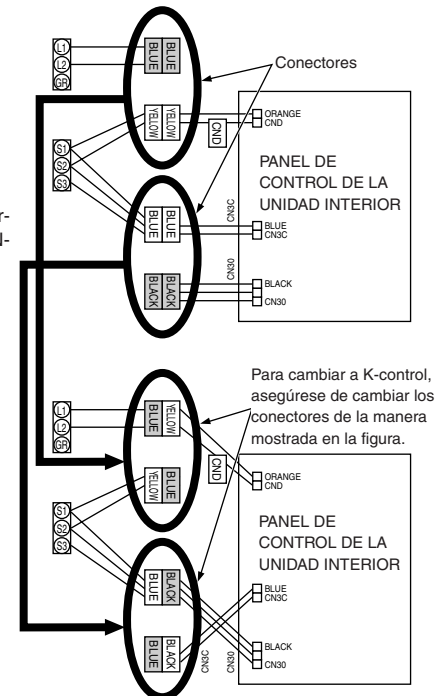
*3. Los valores NO siempre se aplican a la toma a tierra.

Notas: 1. El diámetro de los cables debe cumplir la normativa local y nacional.

2. Utilice cables de cobre.

3. Utilice cables con un régimen nominal de 300 V o superior para los cables de la fuente de alimentación.

4. Instale un cable de toma de tierra más largo que el resto de los cables.



6. Trabajo eléctrico

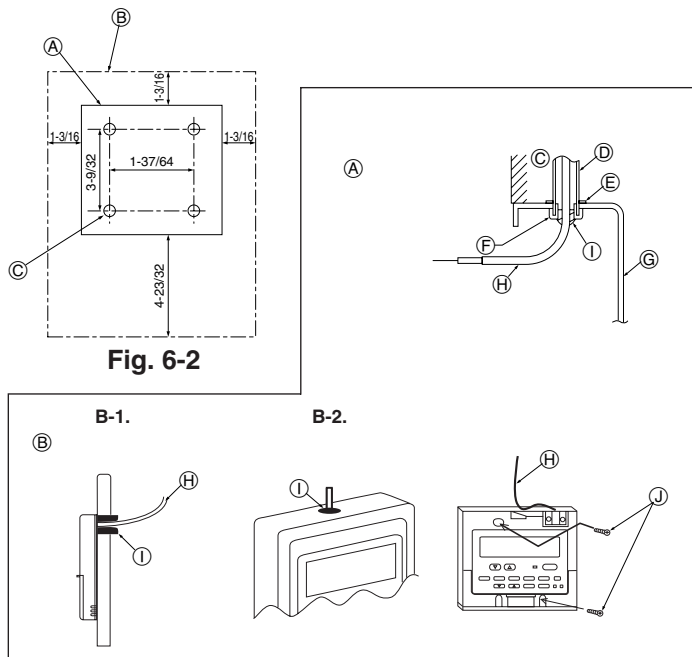


Fig. 6-3

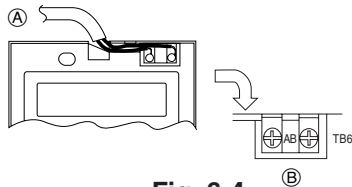


Fig. 6-4

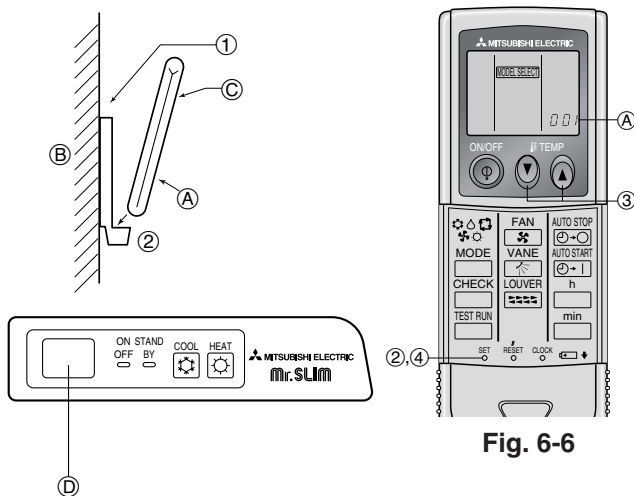


Fig. 6-5

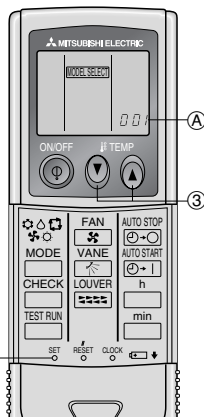


Fig. 6-6

6.2. Control remoto

6.2.1. Para el controlador remoto cableado

1) Procedimientos de instalación

(1) Seleccione una posición adecuada para el control remoto. (Fig. 6-2)
Hay sensores de temperatura tanto en el control remoto como en la unidad interior.

► **Tendrá que adquirir las siguientes piezas no suministradas con la unidad:**

- Caja de interruptores para dos piezas
- Tubo conductor de cobre fino
- Tuercas y casquillos de seguridad

- Ⓐ Perfil del control remoto
- Ⓑ Espacios necesarios alrededor del control remoto
- Ⓒ Paso de instalación

(2) Selle la entrada del cable del control remoto con masilla para evitar que puedan entrar gotas de rocío, agua, cucarachas o gusanos. (Fig. 6-3)

Ⓐ Para instalarlo en la caja de interruptores:

Ⓑ Para instalarlo directamente en la pared, elija uno de los siguientes métodos:

- Haga un agujero en la pared para pasar el cable de control remoto (de forma que pase por detrás) y después selle el agujero con masilla.
- Pase el cable del control remoto a través de la muesca de la caja superior y selle después la muesca con masilla, igual que en el caso anterior.

B-1. Para pasar el cable del control remoto por detrás del control:

B-2. Para pasar el cable del control remoto por la parte de arriba:

(3) Para instalarla en la pared

- Ⓒ Pared
- Ⓓ Conducto
- Ⓔ Tuerca de seguridad
- Ⓕ Casquillo
- Ⓖ Caja de interruptores
- Ⓗ Cable del control remoto
- Ⓘ Sellar con masilla.
- Ⓝ Tornillo para madera

2) Procedimientos de conexión (Fig. 6-4)

Ⓚ Conecte el cable del control remoto en el bloque de terminales.

- Ⓐ Al terminal TB5 de la unidad interior
- Ⓑ TB6 (Sin polaridad)

3) Ajuste de dos controladores remotos

Si hay dos controladores remotos conectados, ajuste uno como "principal" y el otro como "subordinado". Para conocer los procedimientos de ajuste, consulte "Selección de función" en el manual de instrucciones de la unidad interior.

6.2.2. Para controlador remoto inalámbrico

1) Zona de instalación

- El mando a distancia no debe estar expuesto a luz solar directa.
- No debe estar cerca de fuentes de calor.
- No debe exponerse a corrientes de aire frío (o caliente).
- Debe poder manejarse con facilidad.
- Debe estar fuera del alcance de los niños.

2) Método de instalación (Fig. 6-5)

Ⓚ Fije el soporte del mando a distancia en el lugar deseado atornillándolo con tacos.

Ⓚ Inserte la parte inferior del mando en el soporte.

- Ⓐ Mando a distancia
- Ⓑ Pared
- Ⓒ Pantalla del mando
- Ⓓ Receptor

• La señal alcanza aproximadamente hasta 7 metros, 23ft (en línea recta), con un ángulo de desviación de hasta 45° a la izquierda y la derecha de la línea central del receptor.

3) Preparación inicial (Fig. 6-6)

Ⓚ Introduzca las pilas.

Ⓚ Pulse el botón SET con algún objeto puntiagudo.

El mensaje **MODEL SELECT** parpadea y se resalta el número de modelo (Model No.).

Ⓚ Pulse el botón **⏴** / **⏵** para seleccionar el número de modelo.

Ⓚ Pulse el botón SET con algún objeto puntiagudo.

Los datos **MODEL SELECT** y el número de modelo se iluminan durante tres segundos y a continuación desaparecen.

| Interior | Exterior | Ⓐ Número de modelo |
|--------------------------|--------------------------------|--------------------|
| PLA, PCA, PKA (A12, A18) | modelos con bomba de calor | 001 |
| | modelos sólo con refrigeración | 033 |
| PKA (A24, A30, A35) | modelos con bomba de calor | 003 |
| | modelos sólo con refrigeración | 035 |

6. Trabajo eléctrico

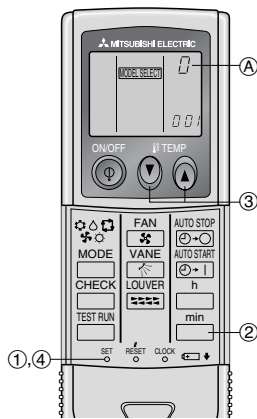


Fig. 6-7

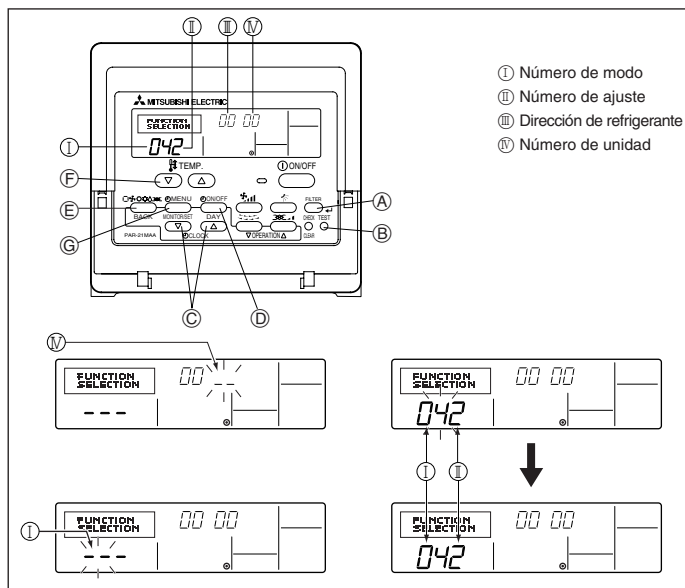


Fig. 6-8

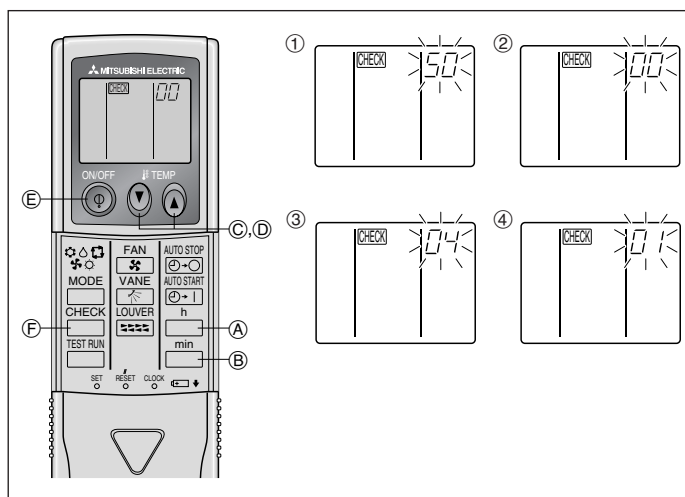


Fig. 6-9

4) Asignación de un mando a distancia para cada unidad (Fig. 6-7)

Cada unidad responderá sólo a las señales del mando a distancia asignado. Cerciñese de que cada mando a distancia tenga el mismo código que la unidad interior que debe gobernar.

5) Procedimiento para establecer el número del par en el mando a distancia

- ① Pulse el botón SET con algún objeto puntiagudo.
Inicie el procedimiento con la pantalla de estado del controlador remoto detenida.
El mensaje **MODEL SELECT** parpadeará y se iluminará el número de modelo (Model No.).
- ② Pulse el botón dos veces seguidas.
El número "0" parpadeará.
- ③ Pulse el botón temp para seleccionar el número del par deseado.
- ④ Pulse el botón SET con algún objeto puntiagudo.
El número del par seleccionado se enciende durante tres segundos y luego se apaga.

| (A) Número de par en el mando a distancia | Tarjeta PC interior |
|---|---------------------|
| 0 | Ajuste de fábrica |
| 1 | Cut J41 |
| 2 | Cut J42 |
| 3-9 | Cut J41, J42 |

6.3. Ajuste de funciones

6.3.1. Ajuste de funciones en la unidad (selección de funciones de la unidad)

1) Para el controlador remoto cableado (Fig. 6-8)

- Cambio del ajuste de voltaje de alimentación
- Asegúrese de cambiar el ajuste de voltaje de alimentación dependiendo del voltaje utilizado.
- ① Paso al modo de edición de funciones.
Apague el controlador remoto.
Pulse simultáneamente los botones (A) y (B) y manténgalos pulsados durante al menos dos segundos. "FUNCTION" empezará a parpadear.
 - ② Utilice el botón (C) para ajustar la dirección de refrigerante (III) a 00.
 - ③ Presione (D) y [-] comenzará a parpadear en la visualización del número de unidad (IV).
 - ④ Utilice el botón (C) para cambiar el número de unidad (IV) a 00.
 - ⑤ Presione el botón (E) MODE para designar la dirección de refrigerante/número de unidad. [-] parpadeará momentáneamente en la visualización del número de modo (I).
 - ⑥ Presione los botones (F) para ajustar el número de modo (I) a 04.
 - ⑦ Pulse el botón (G); el número de configuración de la unidad en uso (II) empezará a parpadear.
Utilice el botón (F) para modificar el número de configuración de acuerdo con la tensión eléctrica que vaya a emplear.
- Tensión eléctrica
- 230 V : número de configuración = 1
 - 208 V : número de configuración = 2
- ⑧ Pulse el botón MODE (E) para que el modo y el número de configuración (I) y (II) estén continuamente activados y se pueda confirmar el contenido de la configuración.
 - ⑨ Mantenga simultáneamente presionados los FILTER (A) y TEST RUN (B) durante dos segundos por lo menos. La pantalla de selección de funciones desaparecerá momentáneamente y aparecerá la visualización de desconexión (OFF) del acondicionador de aire.

2) Para controlador remoto inalámbrico (Fig. 6-9)

- Cambio del ajuste de voltaje de alimentación
- Asegúrese de cambiar el ajuste de voltaje de alimentación de acuerdo al voltaje que utilice.
- ① Vaya al modo de selección de función
Pulse el botón (F) dos veces seguidas.
(Inicie el procedimiento con la pantalla de estado del controlador remoto detenida.)
CHECK se enciende y "00" parpadeará.
Pulse el botón TEMP (C) una vez para seleccionar "50". Apunte el mando a distancia hacia el receptor de la unidad interior y pulse el botón (A).
 - ② Configuración del número de unidad
Pulse el botón TEMP (C) y (D) para seleccionar el número de unidad "00".
Apunte el mando a distancia hacia el receptor de la unidad interior y pulse el botón (B).
 - ③ Cómo seleccionar un modo
Introduzca 04 para cambiar la tensión de alimentación mediante los botones (C) y (D).
Apunte el mando a distancia hacia el receptor de la unidad interior y pulse el botón (A).
Número de configuración en uso:
1 = 1 pitido (un segundo)
2 = 2 pitidos (de un segundo cada uno)
3 = 3 pitidos (de un segundo cada uno)
 - ④ Selección del número de ajuste
Cambie la tensión de alimentación a 01 (240 V) mediante los botones (C) y (D).
Apunte el mando a distancia hacia el sensor de la unidad interior y pulse el botón (A).
 - ⑤ Para seleccionar múltiples funciones sucesivamente
Repita los pasos ③ y ④ para cambiar de manera sucesiva la configuración de funciones múltiples.
 - ⑥ Para seleccionar la función completa
Apunte el mando a distancia hacia el sensor de la unidad interior y pulse el botón (E).

Nota:

Cada vez que se realicen cambios en los ajustes de función después de la instalación o mantenimiento, asegúrese de anotar los cambios con un cruz en la columna "Ajuste" de la tabla de funciones.

6.3.2. Ajuste de funciones en el controlador remoto

Consulte el manual de instrucciones de la unidad interior.

6. Trabajo eléctrico

Tabla de funciones

Seleccione el número de unidad 00

| Modo | Ajustes | Núm. de modo | Núm. de ajuste | Configuración inicial | Ajuste |
|--|--|--------------|----------------|-----------------------|--------|
| Recuperación automática de fallo de alimentación | No disponible | 01 | 1 | | |
| | Disponible | | *1 | 2 | ○ |
| Detección de la temperatura de la sala | Media de funcionamiento de la unidad interior | 02 | 1 | ○ | |
| | Ajustada por el control remoto de la unidad interior | | 2 | | |
| | Sensor interno del control remoto | | 3 | | |
| Conectividad LOSSNAY | No soportada | 03 | 1 | ○ | |
| | Soportada (la unidad interior no está equipada con entrada de aire del exterior) | | 2 | | |
| | Soportada (la unidad interior está equipada con entrada de aire del exterior) | | 3 | | |
| Voltaje de alimentación | 230 V | 04 | 1 | ○ | |
| | 208 V | | 2 | | |
| Modo automático (sólo para PUAZ) | Ciclo de ahorro de energía activado automáticamente | 05 | 1 | ○ | |
| | Ciclo de ahorro de energía desactivado automáticamente | | 2 | | |

Seleccione los números de unidad 01 a 03 o todas las unidades (AL [controlador remoto alámbrico] / 07 [controlador remoto inalámbrico])

| Modo | Ajustes | Núm. de modo | Núm. de ajuste | Configuración inicial | Ajuste |
|--|---|--------------|----------------|-----------------------|--------|
| Señalización de filtro | 100 horas | 07 | 1 | ○ | |
| | 2500 horas | | 2 | | |
| | Sin indicador de señalización del filtro | | 3 | | |
| Velocidad del ventilador | Estándar (PLA)/Silencioso (PCA) | 08 | 1 | — | |
| | Techo alto ① (PLA)/Normal (PCA) | | 2 | — | |
| | Techo alto ② (PLA)/Techo alto (PCA) | | 3 | — | |
| Núm. de salidas de aire | 4 direcciones | 09 | 1 | — | |
| | 3 direcciones | | 2 | — | |
| | 2 direcciones | | 3 | — | |
| Opciones instaladas (Filtro de alto rendimiento) | No soportado | 10 | 1 | — | |
| | Soportado | | 2 | — | |
| Ajuste de las aletas de movimiento vertical | Sin aletas | 11 | 1 | — | |
| | Equipado con aletas (Configuración del ángulo de las paletas ①) | | 2 | — | |
| | Equipado con aletas (Configuración del ángulo de las paletas ②) | | 3 | — | |
| Ahorro de energía de la corriente de aire (modo calefacción) | Desactivado | 12 | 1 | — | |
| | Activado | | 2 | — | |

*1 Cuando la corriente eléctrica vuelva a estar disponible, el aire acondicionado tardará 3 minutos en encenderse.

7. Prueba de funcionamiento

7.1. Antes de realizar las pruebas

- ▶ Después de la instalación de tubos y cables en las unidades interior y exterior, compruebe que no haya escapes de refrigerante, que no se haya aflojado ni la fuente de alimentación ni el cableado de control, que la polaridad no sea errónea y que no se haya desconectado ninguna fase de la alimentación.
- ▶ Utilice un megohmímetro de 500 V para comprobar que la resistencia entre los bornes de alimentación y la tierra es como mínimo de 1,0 MΩ.

- ▶ No efectúe esta prueba en los bornes de los cables de control (circuito de bajo voltaje).

⚠ Atención:

No utilice el aire acondicionado si la resistencia de aislamiento es inferior a 1,0 MΩ.

Resistencia del aislamiento

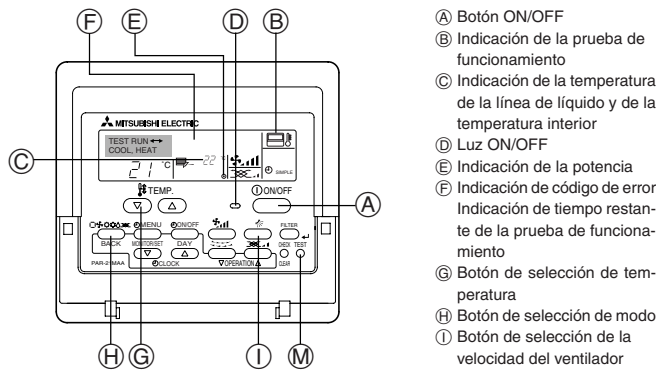


Fig. 7-1

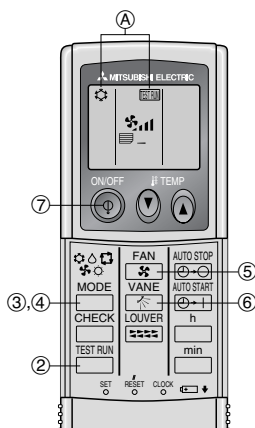


Fig. 7-2

7.2. Prueba de funcionamiento

Están disponibles los siguientes 3 métodos.

7.2.1. Al usar el controlador remoto cableado (Fig. 7-1)

- Encienda el aparato por lo menos 12 horas antes de llevar a cabo la prueba de funcionamiento
- Pulse el botón de prueba de funcionamiento [TEST] (PRUEBA) dos veces. ➔ Indicador del cristal líquido de prueba en funcionamiento "TEST RUN" (EJECUCIÓN DE PRUEBA)
- Pulse el botón de selección de modo [Mode selection] (Modo). ➔ Compruebe que sale aire.
- Pulse el botón de selección de modo [Mode selection] (Modo) y cambie al modo de refrigeración (o calefacción). ➔ Compruebe que sale aire frío (o caliente).
- Pulse el botón de velocidad del aire [Fan speed] (Velocidad del aire). ➔ Compruebe que cambia la velocidad del aire.
- Compruebe el funcionamiento del ventilador de la unidad exterior.
- Desactive la prueba de funcionamiento pulsando el botón de activación/desactivación [ON/OFF] (ACTIVAR/DESACTIVAR). ➔ Parar
- Registre un número de teléfono.

El controlador remoto permite registrar el número de teléfono de la tienda de electrodomésticos, distribuidor, etc. con quien se deba contactar en caso de error. El número aparecerá si se produce algún error. Para conocer el procedimiento de registro, consulte el manual de instrucciones de la unidad interior.

7.2.2. Al usar el controlador remoto inalámbrico (Fig. 7-2)

- Encienda la unidad al menos 12 horas antes de la prueba de funcionamiento.
- Pulse el botón dos veces seguidas.
(Inicie el procedimiento con la pantalla de estado del controlador remoto apagada.)
A Se ven en pantalla: y el modo actual de funcionamiento.
- Presione el botón para activar el modo de refrigeración y compruebe si sale aire frío de la unidad.
- Presione el botón para activar el modo de calefacción y compruebe si sale aire caliente de la unidad.
- Pulse el botón y compruebe si cambia la velocidad del ventilador.
- Presione el botón y compruebe que el sistema automático de desviación del aire funciona correctamente.
- Presione el botón ON/OFF para finalizar el funcionamiento de prueba.

Nota:

- Cuando siga los pasos ② a ⑦, oriente el mando a distancia hacia el receptor de la unidad interior.
- No es posible activar el modo FAN, DRY o AUTO.

7. Prueba de funcionamiento

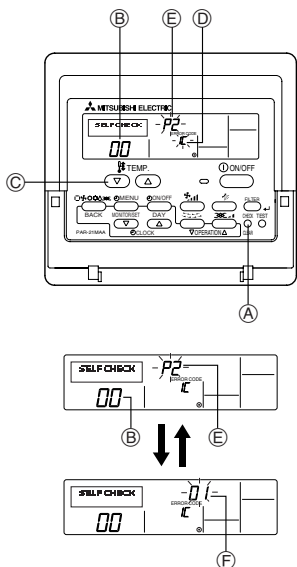


Fig. 7-3

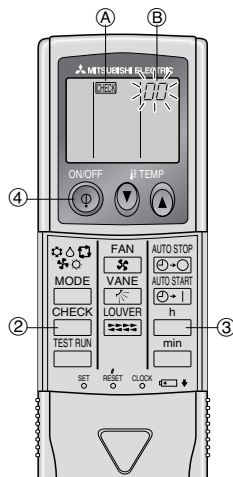


Fig. 7-4

7.2.3. Al usar SW4 en la unidad exterior

Consulte el manual de instalación de la unidad exterior.

7.3. Autotest

7.3.1. Para el controlador remoto cableado (Fig. 7-3)

- ① Encienda el aparato.
- ② Pulse el botón [CHECK] dos veces.
- ③ Ajuste la dirección del refrigerante mediante el botón [TEMP] si utiliza un control de sistema.
- ④ Pulse el botón [ON/OFF] para terminar el autotest.

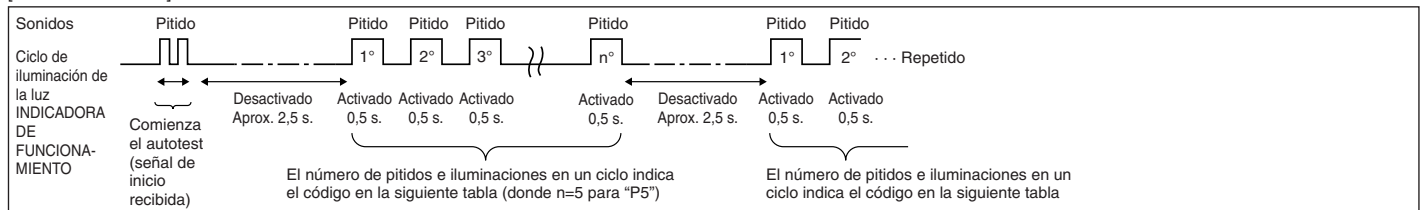
- A) Botón CHECK
- B) Dirección del refrigerante
- C) Botón TEMP.
- D) IC: Unidad interior
OC: Unidad exterior
- E) Código de comprobación
- F) Dirección de unidad

7.3.2. Para controlador remoto inalámbrico (Fig. 7-4)

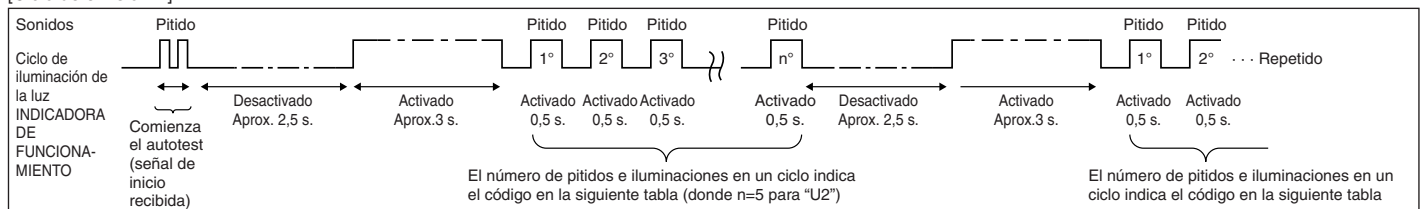
- ① Encienda el aparato.
- ② Pulse el botón dos veces.
(Inicie el procedimiento con la pantalla de estado del controlador remoto apagada.)
- A) Se encenderán .
- B) "00" empieza a parpadear.
- ③ Apunte con el mando a distancia hacia el receptor de la unidad y pulse el botón . El número de veces que suena el zumbador del receptor y el número de parpadeos del piloto de funcionamiento indican el código de comprobación.
- ④ Pulse el botón ON/OFF para terminar el autotest.

• Para más información sobre los códigos de comprobación, consulte las siguientes tablas. (Controlador remoto inalámbrico)

[Ciclo de emisión A]



[Ciclo de emisión B]



[Ciclo de emisión A] Errores detectados por la unidad interior

| Controlador remoto inalámbrico | Controlador remoto cableado | Síntoma | Observaciones |
|---|-----------------------------|---|---------------|
| Pitido/se ilumina la luz INDICADORA DE FUNCIONAMIENTO (número de veces) | Código de comprobación | | |
| 1 | P1 | Error del sensor de admisión | |
| 2 | P2, P9 | Error del sensor del tubo (líquido o tubo de 2 fases) | |
| 3 | E6, E7 | Error de comunicación con unidad interior/exterior | |
| 4 | P4 | Error del sensor de drenaje | |
| 5 | P5 | Error de la bomba de drenaje | |
| 6 | P6 | Funcionamiento de seguridad por helada/sobrecalentamiento | |
| 7 | EE | Error de comunicación entre unidades interior y exterior | |
| 8 | P8 | Error de temperatura del tubo | |
| 9 | E4 | Error de recepción de señal del controlador remoto | |
| 10 | - | - | |
| 11 | - | - | |
| 12 | Fb | Error del sistema de control de la unidad interior (error de memoria, etc.) | |
| Sin sonido | ---- | No corresponde | |

7. Prueba de funcionamiento

[Ciclo de emisión B] Errores detectados por una unidad distinta de la unidad interior (unidad exterior, etc.)

| Controlador remoto inalámbrico | Controlador remoto cableado | Síntoma | Observaciones |
|---|-----------------------------|---|--|
| Pitido/se ilumina la luz INDICADORA DE FUNCIONAMIENTO (número de veces) | Código de comprobación | | |
| 1 | E9 | Error de comunicación de la unidad interior/exterior (error de transmisión) (unidad exterior) | Para información detallada, compruebe la pantalla de LEDs del cuadro del controlador exterior. |
| 2 | UP | Interrupción del compresor por sobrecorriente | |
| 3 | U3, U4 | Apertura/corte de termistores de la unidad exterior | |
| 4 | UF | Interrupción por sobrecorriente del compresor (si el compresor está bloqueado) | |
| 5 | U2 | Temperatura de descarga anormalmente alta/49C funcionó/refrigerante insuficiente | |
| 6 | U1, Ud | Presión anormalmente alta (63H funcionó)/Funcionamiento de seguridad por sobrecalentamiento | |
| 7 | U5 | Temperatura anormal del cuerpo de refrigeración | |
| 8 | U8 | Parada de seguridad del ventilador de la unidad exterior | |
| 9 | U6 | Interrupción del compresor por sobrecorriente/Anomalía en el módulo de alimentación | |
| 10 | U7 | Anomalía de sobrecalentamiento debido a una baja temperatura de descarga | |
| 11 | U9, UH | Anomalía (tensión demasiado alta o baja, señal asíncrona anormal al circuito principal)/Error del sensor de corriente | |
| 12 | - | - | |
| 13 | - | - | |
| 14 | Otros | Otros errores (consulte el manual técnico de la unidad exterior). | |

*1 Si tras los dos pitidos iniciales que confirman la recepción de la señal de inicio del autotest no hay más pitidos y la luz INDICADORA DE FUNCIONAMIENTO no se enciende, no habrá errores registrados.

*2 Si suenan tres pitidos consecutivos "piip, piip, piip (0,4 + 0,4 + 0,4 segundos)" tras los dos pitidos iniciales que confirman la recepción de la señal de inicio del autotest, la dirección de refrigerante especificada no es correcta.

Controlador remoto inalámbrico

Se oye un pitido continuo desde la sección receptora de la unidad interior.

La luz de funcionamiento parpadea

Controlador remoto cableado

Compruebe el código que aparece en la LCD.

• Si no se puede activar la unidad adecuadamente después de haberse llevado a cabo la ejecución de prueba, consulte la tabla siguiente para suprimir la causa.

| Síntoma | | Causa |
|---|---|---|
| Controlador remoto cableado | LED 1, 2 (tarjeta de circuito impreso en unidad exterior) | |
| PLEASE WAIT | Durante aproximadamente 2 minutos después del encendido. | Se iluminan los LED 1 y 2 y, a continuación, el LED 2 se apaga y sólo queda encendido el LED 1. (Funcionamiento correcto) |
| PLEASE WAIT → Código de error | Aproximadamente 2 minutos después de haber finalizado el encendido. | Sólo se ilumina el LED 1. → Los LED 1 y 2 parpadean. |
| NO aparecen mensajes en pantalla aunque se active el interruptor de funcionamiento (la luz de funcionamiento no se enciende). | | Sólo se ilumina LED 1. → El LED 1 parpadea dos veces y el LED 2 una. |

Si sucede lo que se ha indicado anteriormente:

- No se acepta ninguna señal procedente del controlador remoto.
- La luz OPE parpadea.
- Se emite un pitido breve.

Nota:

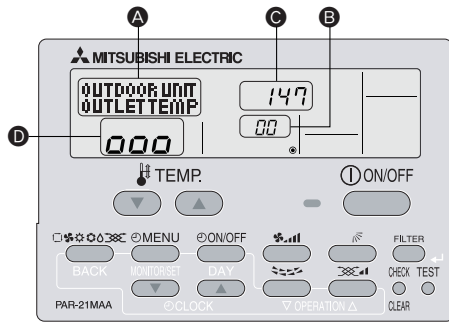
No se puede utilizar durante aproximadamente 30 segundos después de cancelar la selección de funciones. (Funcionamiento correcto)

Para la descripción de cada uno de los LED (LED 1, 2, 3) de los controladores interiores, consulte la tabla siguiente.

| | |
|--|--|
| LED1 (alimentación para microordenador) | Indica si se suministra alimentación de control. Asegúrese de que este LED esté siempre encendido. |
| LED2 (alimentación para controlador remoto) | Indica si se suministra alimentación al controlador remoto. Este LED se enciende únicamente en caso de una unidad interior conectada a la dirección de refrigerante "0" de la unidad exterior. |
| LED 3 (comunicación entre unidades interiores y exteriores sólo con A-control) | Indica el estado de comunicación entre las unidades interior y exterior. Asegúrese de que este LED esté siempre parpadeando. |

8. Función de mantenimiento fácil [Esta función sólo está disponible para A-control]

Ejemplo de visualización (temperatura de descarga del compresor 147 °F)



Al utilizar el modo de mantenimiento, puede visualizar distintos tipos de datos de mantenimiento en el controlador remoto, como la temperatura del intercambiador de calor y el consumo de corriente del compresor para las unidades interiores y exterior. Esta función se puede utilizar independientemente de si el aire acondicionado está funcionando o no.

Durante el funcionamiento del aire acondicionado, los datos se pueden comprobar durante el funcionamiento normal o durante el funcionamiento estable del modo de mantenimiento.

* Esta función no se puede utilizar durante la prueba de funcionamiento.

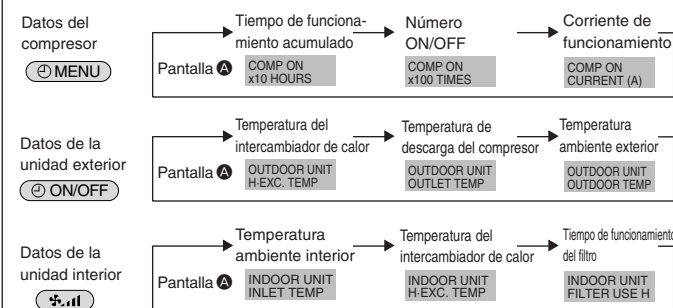
* La disponibilidad de esta función dependerá de si la unidad exterior está conectada. Consulte los folletos.

Procedimientos de manejo del modo de mantenimiento

(1) Pulse el botón **TEST** durante 3 segundos para activar el modo de mantenimiento. Pantalla **A** MAINTENANCE

(2) Pulse los botones TEMP. (temperatura) **▼** **▲** para ajustar la dirección del refrigerante. Pantalla **B** **00** ↔ **01** **15**

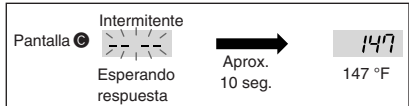
(3) Seleccione los datos que desee visualizar.



* El tiempo de funcionamiento del filtro que se muestra es el número de horas que se ha utilizado el filtro desde que se restableció por última vez.

(4) Pulse el botón **FILTER**.

(5) Los datos aparecen en **C**. (Ejemplo de visualización de temperatura del flujo de aire)



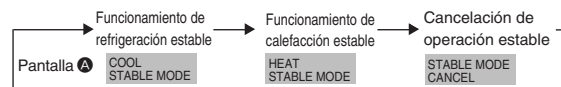
* Repita del paso (2) al (5) para comprobar otra fecha.

(6) Pulse el botón **TEST** durante 3 segundos o pulse el botón **ON/OFF** para desactivar el modo de mantenimiento.

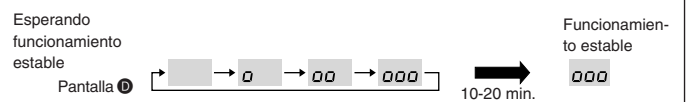
Funcionamiento estable

El modo de mantenimiento permite fijar la frecuencia de funcionamiento y estabilizar así el funcionamiento. Si se detiene el aire acondicionado, siga este procedimiento para que comience a funcionar.

Pulse el botón **MODE** para elegir el modo de funcionamiento.



Pulse el botón **FILTER**.



* Puede comprobar los datos siguiendo del paso (3) al (5) de los procedimientos de manejo del modo de mantenimiento para el funcionamiento estable.

This product is designed and intended for use in the residential,
commercial and light-industrial environment.

Please be sure to put the contact address/telephone number on
this manual before handing it to the customer.