

SERVICE PARTS LIST FOR MITSUBISHI ELECTRIC PACKAGED AIR-CONDITIONERS

Series : PFFY-P•NEMU-E
PFFY-P•NRMU-E

For use with the R410A

REVISED

Oct. 2020

BWE0512E

INDEX

PFFY-P06NEMU-E
PFFY-P08NEMU-E
PFFY-P12NEMU-E
PFFY-P15NEMU-E
PFFY-P18NEMU-E
PFFY-P24NEMU-E
PFFY-P06NRMU-E
PFFY-P08NRMU-E
PFFY-P12NRMU-E
PFFY-P15NRMU-E
PFFY-P18NRMU-E
PFFY-P24NRMU-E

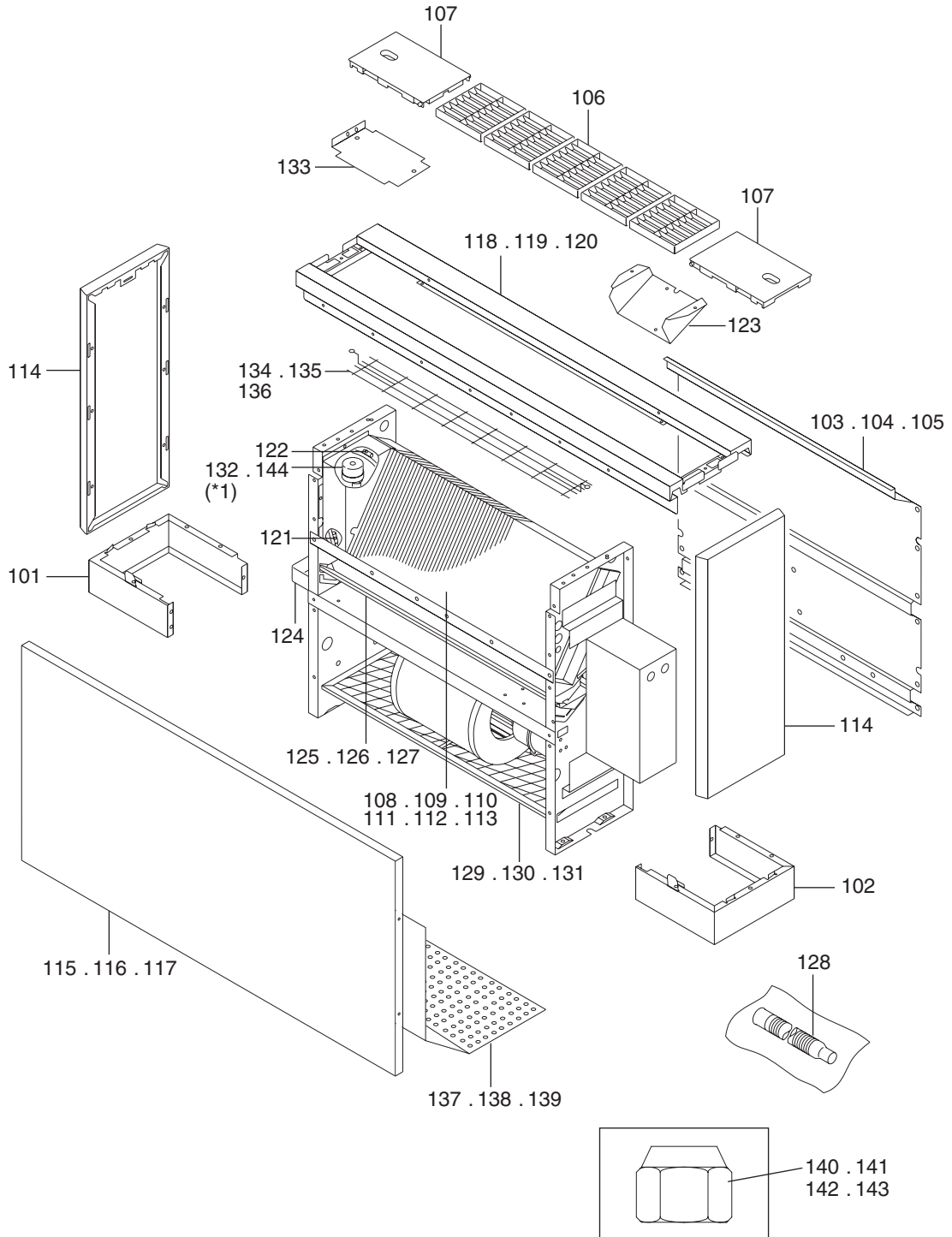
Part information update day : 2020/10/06

Please change the old catalog (issued Dec. 2015, BWE0512D) to this new catalog.
Content of revision : Some of parts are changed.



PFFY-P06,P08NEMU-E
PFFY-P12,P15NEMU-E
PFFY-P18,P24NEMU-E

EXTERNAL PARTS (1)



*1 Products manufactured in or before Aug. 2020 have the EFM-type LEV. Products manufactured in or after Sept. 2020 have the PAM-type LEV. Replace the EFM-type LEV with the PAM-type LEV, using parts 132 and 144.

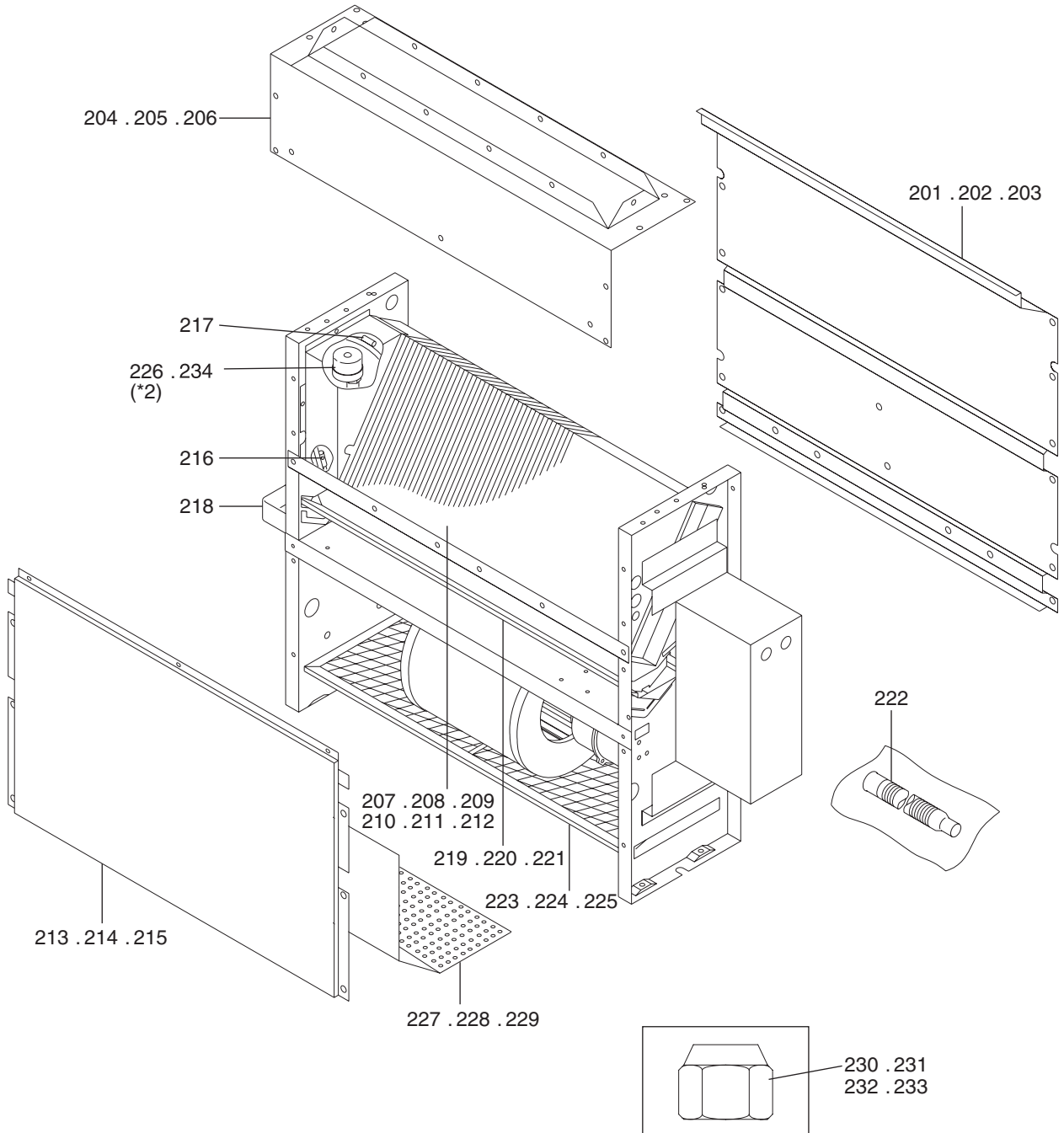
PFFY-P06,P08NEMU-E
PFFY-P12,P15NEMU-E
PFFY-P18,P24NEMU-E

EXTERNAL PARTS (1)

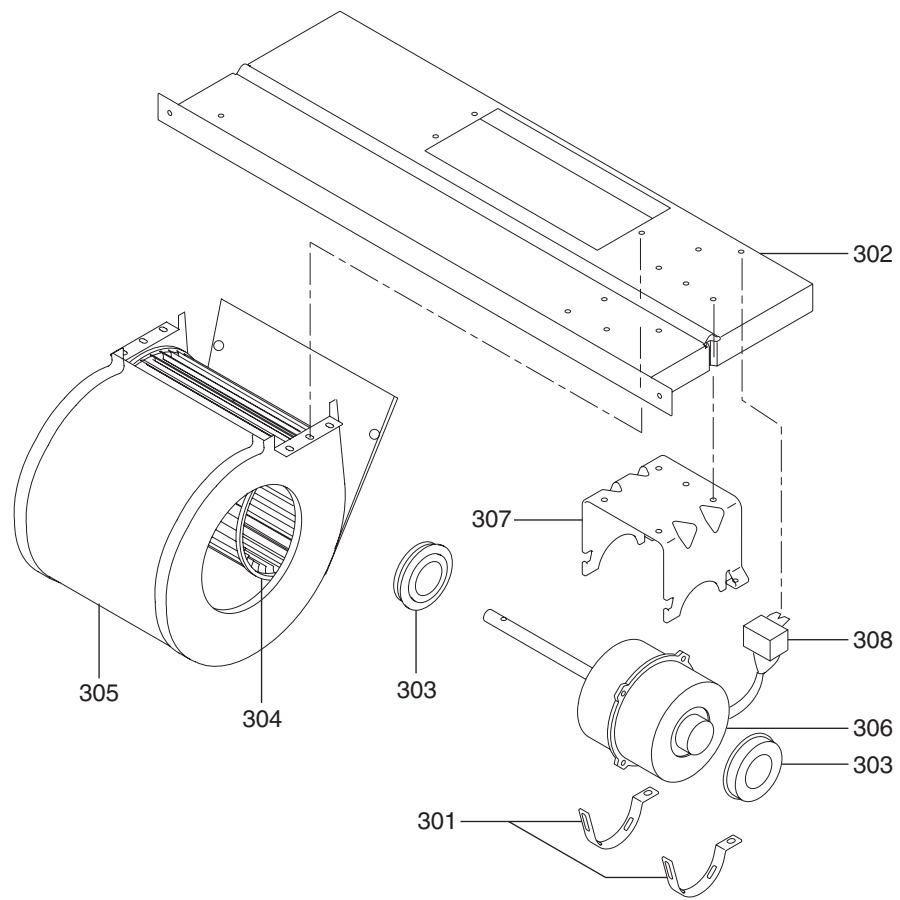
No.	Part No.	Part Name	Spec.	PFFY-P06NEMU-E	PFFY-P08NEMU-E	PFFY-P12NEMU-E	PFFY-P15NEMU-E	PFFY-P18NEMU-E	PFFY-P24NEMU-E	Dwg. No.	Notes for the models	Revision info.
101	R63 370 001	Decorative plate assy		1	1	1	1	1	1	W242240H03		
102	R63 371 001	Decorative plate assy		1	1	1	1	1	1	W242240H04		
103	R63 722 035	Rear panel		1	1					W235706H24		
104	R63 723 035	Rear panel				1	1			W235706H25		
105	R63 724 035	Rear panel						1	1	W235706H26		
106	R40 025 501	Outlet grill		5	5	6	6	8	8	W235590H01		
107	R63 025 079	Control lid assy		2	2	2	2	2	2	W356687G03		
108	R61 Y20 483	Heat exchanger assy		1						W278946G60		Chg.
109	R61 Y21 483	Heat exchanger assy			1					W278946G61		Chg.
110	R61 Y22 483	Heat exchanger assy				1				W278946G62		Chg.
111	R61 Y23 483	Heat exchanger assy					1			W278946G64		Chg.
112	R61 Y24 483	Heat exchanger assy						1		W278946G65		Chg.
113	R61 Y25 483	Heat exchanger assy							1	W278946G63		Chg.
114	R63 L43 111	Casing S		2	2	2	2	2	2	W269686G01		
115	R61 Y25 111	Casing assy F		1	1					W657808G01		
116	R61 Y26 111	Casing assy F				1	1			W657808G02		
117	R61 Y27 111	Casing assy F						1	1	W657808G03		
118	R61 Y31 111	Casing assy U		1	1					W657842G01		
119	R61 Y32 111	Casing assy U				1	1			W657842G02		
120	R61 Y33 111	Casing assy U						1	1	W657842G03		
121	R61 144 200	Thermistor		1	1	1	1	1	1	KB00U755G01	gas <TH23>	
122	R63 367 203	Thermistor		1	1	1	1	1	1	KB78U229G01	liquid <TH22>	
123	R63 Y09 049	Switch panel assy		1	1	1	1	1	1	KD00G333G02		
124	R61 093 529	Drain pan 2		1	1	1	1	1	1	KD25L821G01		Chg.
125	R63 Y16 529	Drain pan assy 1		1	1					W356664G24		
126	R63 Y17 529	Drain pan assy 1				1	1			W356664G25		
127	R63 Y18 529	Drain pan assy 1						1	1	W356664G26		
128	R40 025 049	Drain hose		1	1	1	1	1	1	W356677H01		
129	R63 2E8 500	Filter		1	1					W275191G03		
130	R63 2E9 500	Filter				1	1			W275191G04		
131	R63 3E1 500	Filter						1	1	W275191G05		
132	R61 047 401	Linear expansion valve	PAM-B40YGMD-1	1	1	1	1	1	1	P632538X01	<LEV> *1	Chg.
133	R63 Y10 049	Switch panel		1	1	1	1	1	1	W657853H02		
134	R63 Y01 611	Fin guard		1	1					W622564G04		
135	R63 Y02 611	Fin guard				1	1			W622564G05		
136	R63 Y03 611	Fin guard						1	1	W622564G06		
137	R61 Y07 611	Guard	25	1	1					W258829G01		
138	R61 Y08 611	Guard	32.40			1	1			W258829G02		
139	R61 Y09 611	Guard	63					1	1	W258829G03		
140	R61 006 122	Flare nut	12.7(1/2)	1	1	1	1	1		KB21S918H01	gas	
141	R63 8G1 122	Flare nut	15.88(5/8)						1	KB21S919H01	gas	
142	R61 008 122	Flare nut	6.35(1/4)	1	1	1	1	1		KB21S916H01	liquid	
143	R63 8G0 122	Flare nut	9.52(3/8)						1	KB21S917H01	liquid	
144	R61 048 401	Solenoid valve coil	PAM-MD12MD-8	1	1	1	1	1	1	P472082X01	*1	Add.

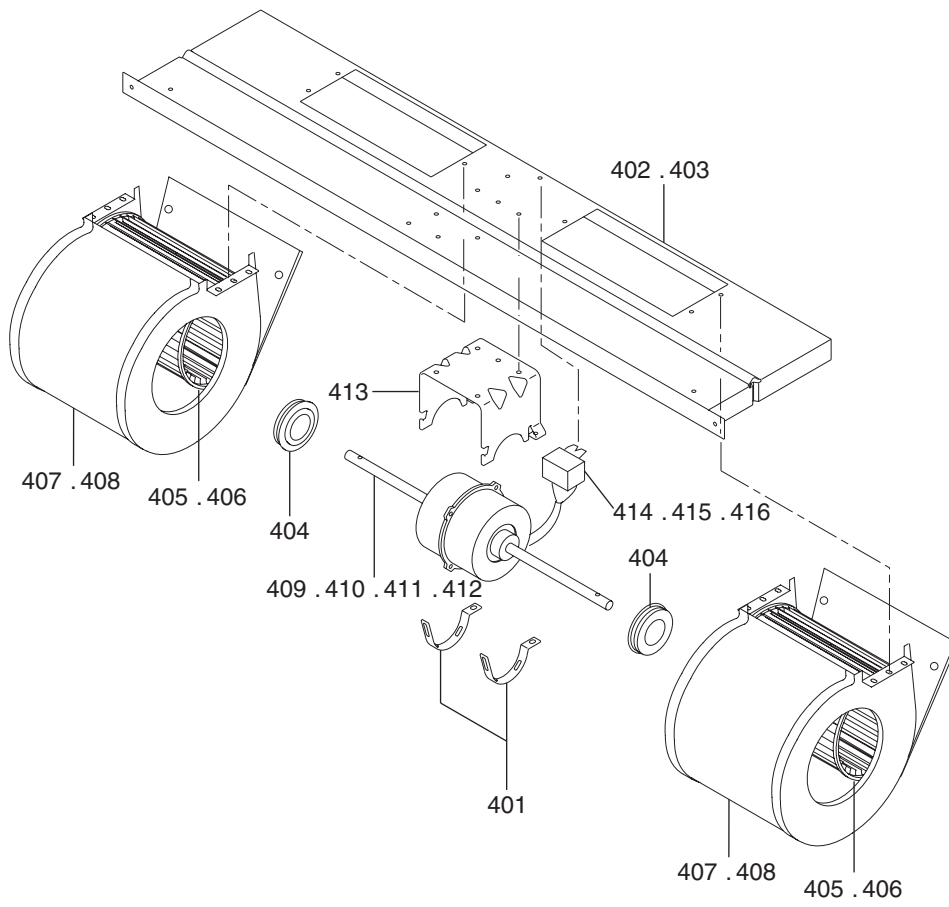
PFFY-P06,P08NRMU-E
PFFY-P12,P15NRMU-E
PFFY-P18,P24NRMU-E

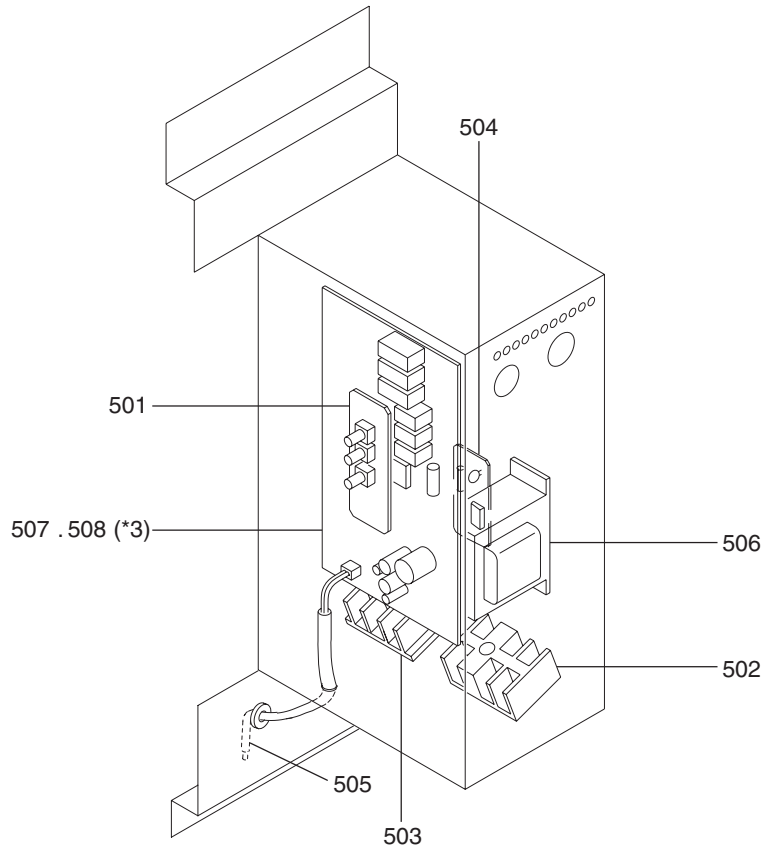
EXTERNAL PARTS (2)



*2 Products manufactured in or before Aug. 2020 have the EFM-type LEV. Products manufactured in or after Sept. 2020 have the PAM-type LEV. Replace the EFM-type LEV with the PAM-type LEV, using parts 226 and 234.



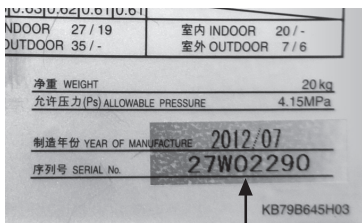




*3 For the products whose serial number is 5XW***** or later, be sure to use No.508.
For the products whose serial number is 59W***** or earlier, No.507 or No.508 can be used.
If the production number of the indoor unit is not available, procure parts No.508.
No.507 will be supplied as long as the stock is available,
and only No.508 will be supplied after the existing stock of No.507 is depleted.

	~59W*****	5XW*****~
No.507	USE	NOT USE
No.508	USE	USE

Serial No. of Air Conditioning & Refrigeration Systems Works.



Serial No.

2 7 W 0 2 2 9 0

↑ ↑ ↑ ↑
Serial number

Air Conditioning & Refrigeration Systems Works
(Wakayama) identification.
W stands for W of WAKAYAMA.

↑ ↑
Production month

Production **season** of Air Conditioning & Refrigeration
Systems Works **April to March**
In this case, July / 2012

Production month / season

2 4 April / 2012

2 5 May / 2012

2 6 June / 2012

2 7 July / 2012

2 8 August / 2012

2 9 September / 2012

2 X October / 2012

2 Y November / 2012

2 Z December / 2012

2 1 January / 2013

2 2 February / 2013

2 3 March / 2013

3 4 April / 2013

3 5 May / 2013

