

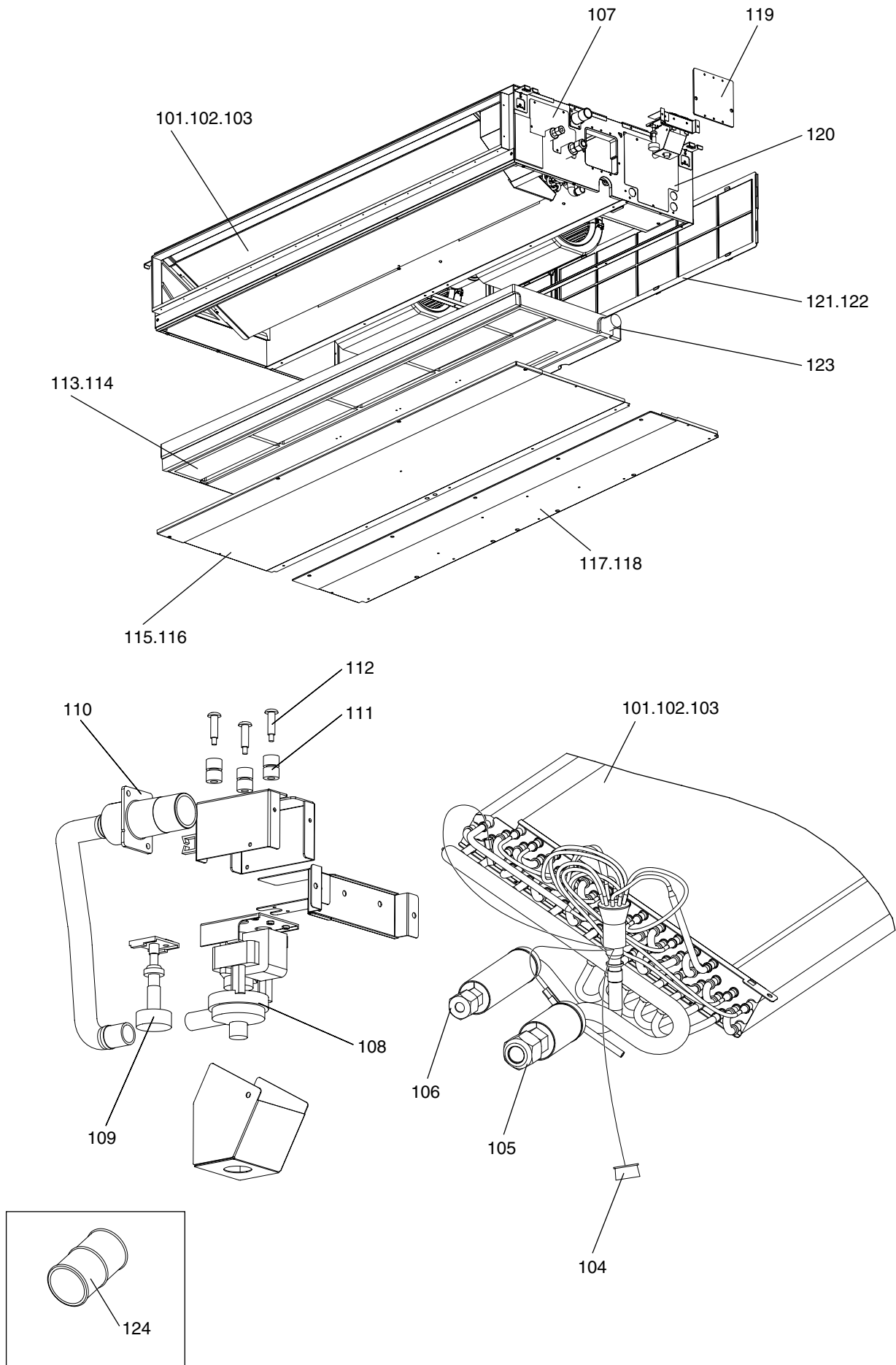
# **SERVICE PARTS LIST FOR MITSUBISHI ELECTRIC PACKAGED AIR-CONDITIONERS**

**Series : PEAD-A•AA**

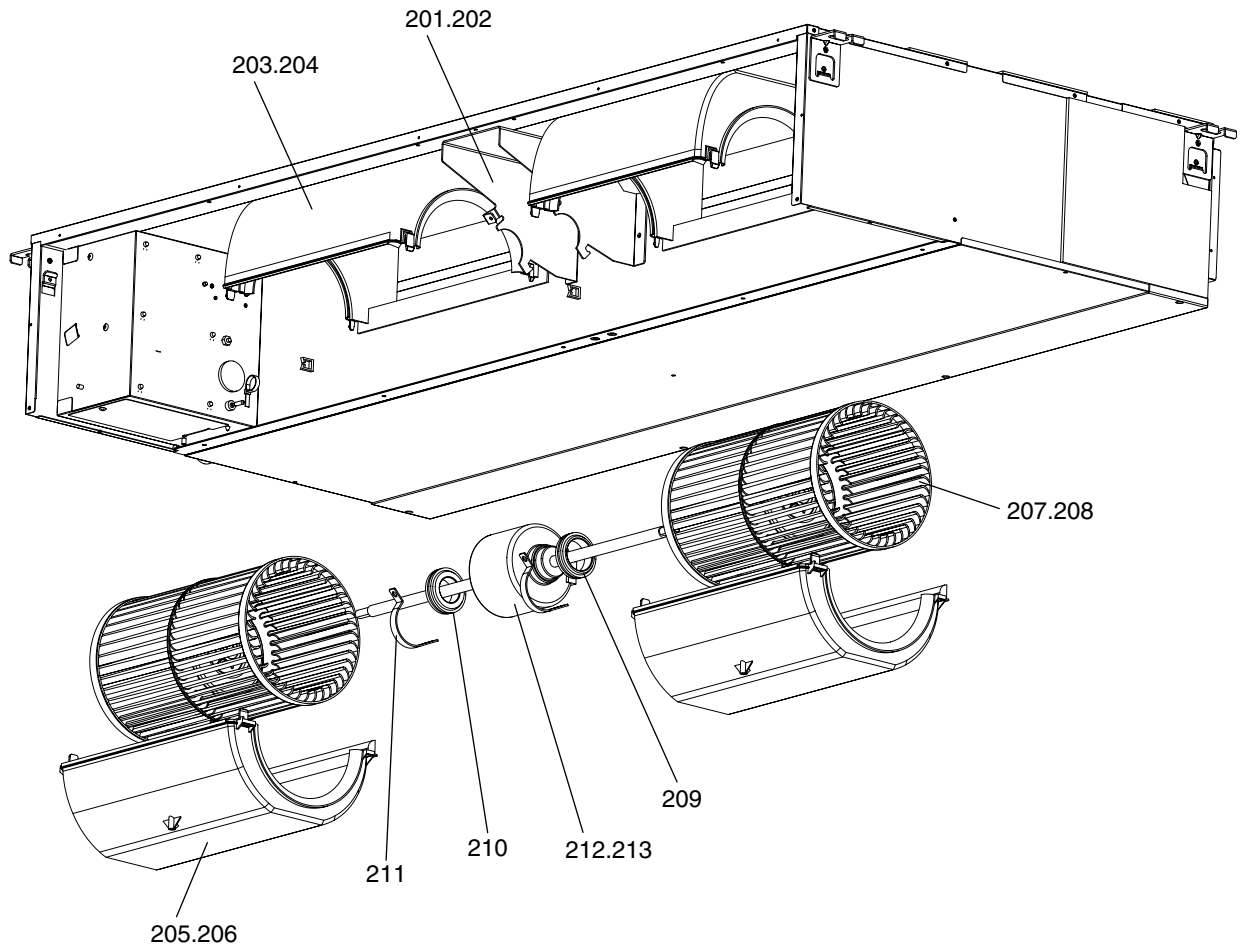
**July 2009**

**BWE09180**

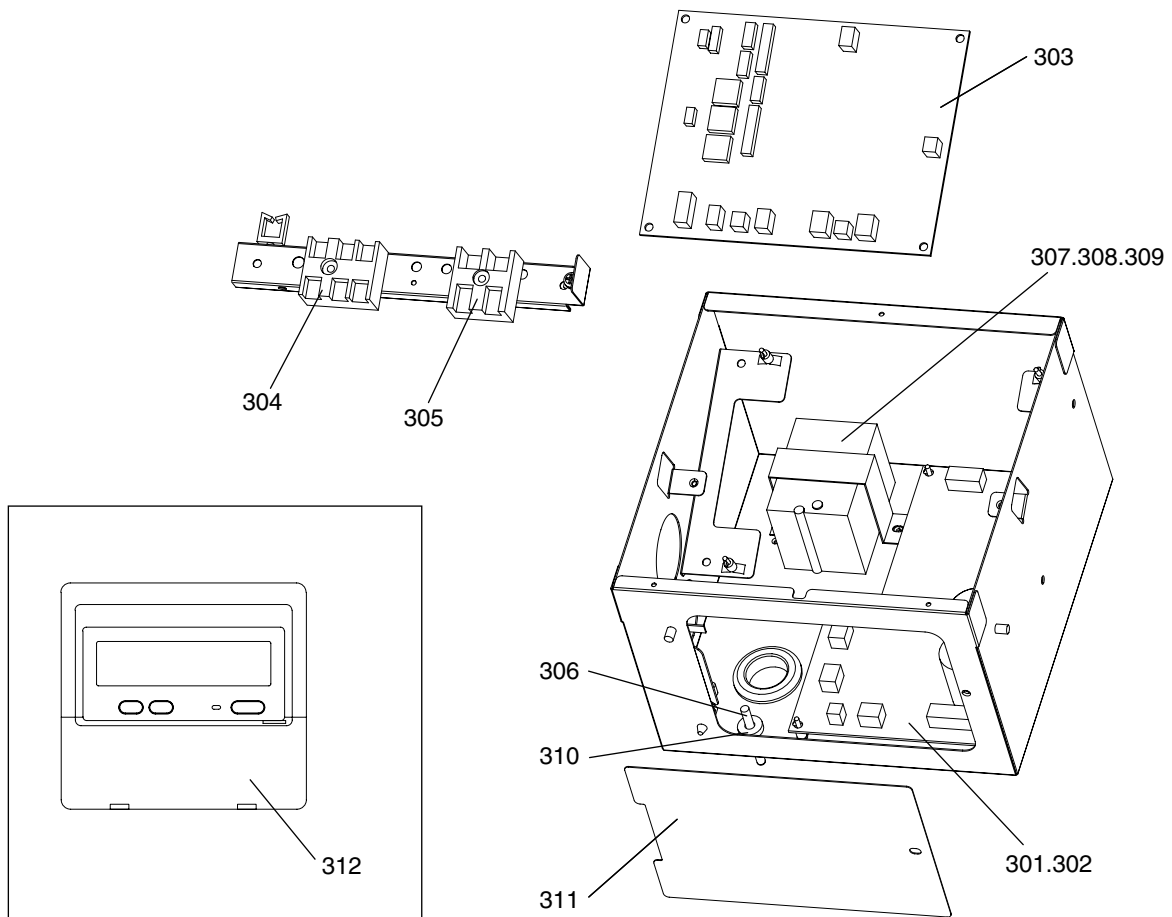
<b>INDEX</b>
<b>PEAD-A24AA</b>
<b>PEAD-A30AA</b>
<b>PEAD-A36AA</b>
<b>PEAD-A42AA</b>







No.	Part No.	G : RoHS Apply Only W : RoHS Apply by Running Change		Spec.	PEAD-A24AA	PEAD-A30AA	PEAD-A36AA	PEAD-A42AA	Dwg. No.	Price	Revision History
			Part Name								
201	R61 023 128		MOTOR BASE P20		1	1			KB02B861H02		
202	R61 024 128		MOTOR BASE P100				1	1	KB02B862H02		
203	R61 006 129		FAN CASE U		2	2			KB25A145H01		
204	R61 007 129		FAN CASE U				2	2	KB25A144H01		
205	R61 008 129		FAN CASE L		2	2			KB25A147H01		
206	R61 009 129		FAN CASE L				2	2	KB25A146H01		
207	R61 007 114		SIROCCO FAN 200 ASSY		2	2			KB00R101G01		
208	R61 008 114		SIROCCO FAN 320 ASSY				2	2	KB00R102G01		
209	R61 001 505	G	RUBBER MOUNT L		1	1			KB31D833H01		
210	R61 002 505	G	RUBBER MOUNT R		1	1	2	2	KB31D833H02		
211	R63 652 131	G	ATTACHMENT		2	2	2	2	W353715H01		
212	R61 093 220		MOTOR P63		1	1			KB61B962H03		
213	R61 094 220		MOTOR P100				1	1	KB61B963H03		



No.	Part No.	G : RoHS Apply Only W : RoHS Apply by Running Change		Spec.	PEAD-A24AA	PEAD-A30AA	PEAD-A36AA	PEAD-A42AA	Dwg. No.	Price	Revision History
		Part Name									
301	R61 124 280	PCA BOARD		PW 3A	1	1			KE80C349G03		
302	R61 125 280	PCA BOARD		PW 5A			1	1	KE80C349G04		
303	R61 127 280	PCA BOARD		INDOOR CONTROL	1	1	1	1	KE80C349G02		
304	R61 025 246	TERMINAL BLOCK ASSY			1	1	1	1	BH00C267G02		
305	R61 023 246	TERMINAL BLOCK			1	1	1	1	BH73L021H01		
306	R61 103 200	THERMISTOR-S		250XAP	1	1	1	1	RG71J628H01		
307	R61 018 259	REACTOR		3A3	1				KE65D486H02		
308	R61 019 259	REACTOR		3A6		1			KE65D487H01		
309	R61 020 259	REACTOR		5A6			1	1	KE65D488H01		
310	R61 003 104	W CORD BUSH			1	1	1	1	P695114X01		
311	R61 069 690	BOX UNDER COVER			1	1	1	1	KB02K887H01		
312	R61 040 304	REMOTE CONTROLLER			1	1	1	1	KF00D079H01		

