

April 2012

No. OCB500

REVISED EDITION-A

PARTS CATALOG

CITY MULTI Series Ceiling Suspended R410A / R22

Indoor unit [Model names]	[Service Ref.]
PCFY-P15NKMU-E	PCFY-P15NKMU-E.TH PCFY-P15NKMU-ER1.TH
PCFY-P24NKMU-E	PCFY-P24NKMU-E.TH PCFY-P24NKMU-ER1.TH
PCFY-P30NKMU-E	PCFY-P30NKMU-E.TH PCFY-P30NKMU-ER1.TH
PCFY-P36NKMU-E	PCFY-P36NKMU-E.TH PCFY-P36NKMU-ER1.TH

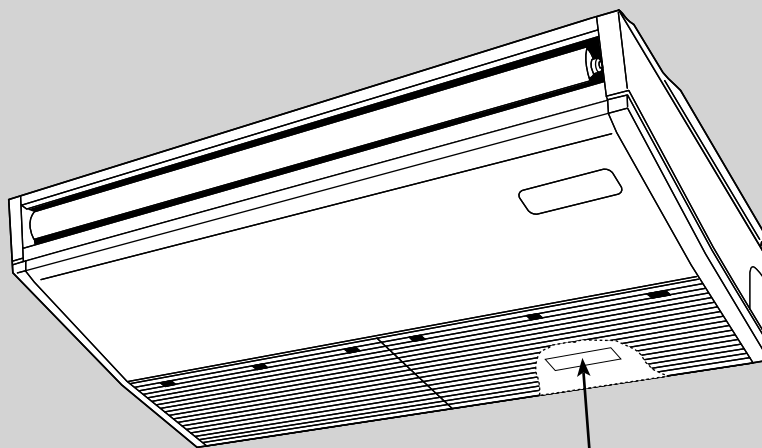
Revision:

- PCFY-P15/24/30/36NKMU-ER1 have been added in REVISED EDITION-A.
- Some descriptions have been modified.

- Please void OCB500.

Note:

- RoHS compliant products have <G> mark on the spec name plate.



INDOOR UNIT

Model name indication

CONTENTS

1. RoHS PARTS LIST 2
2. OPTIONAL PARTS 7

SERVICE MANUAL (OCH500)

STRUCTURAL AND FUNCTIONAL PARTS (1)

PCFY-P15NKMU-E.TH

PCFY-P24NKMU-E.TH

PCFY-P30NKMU-E.TH

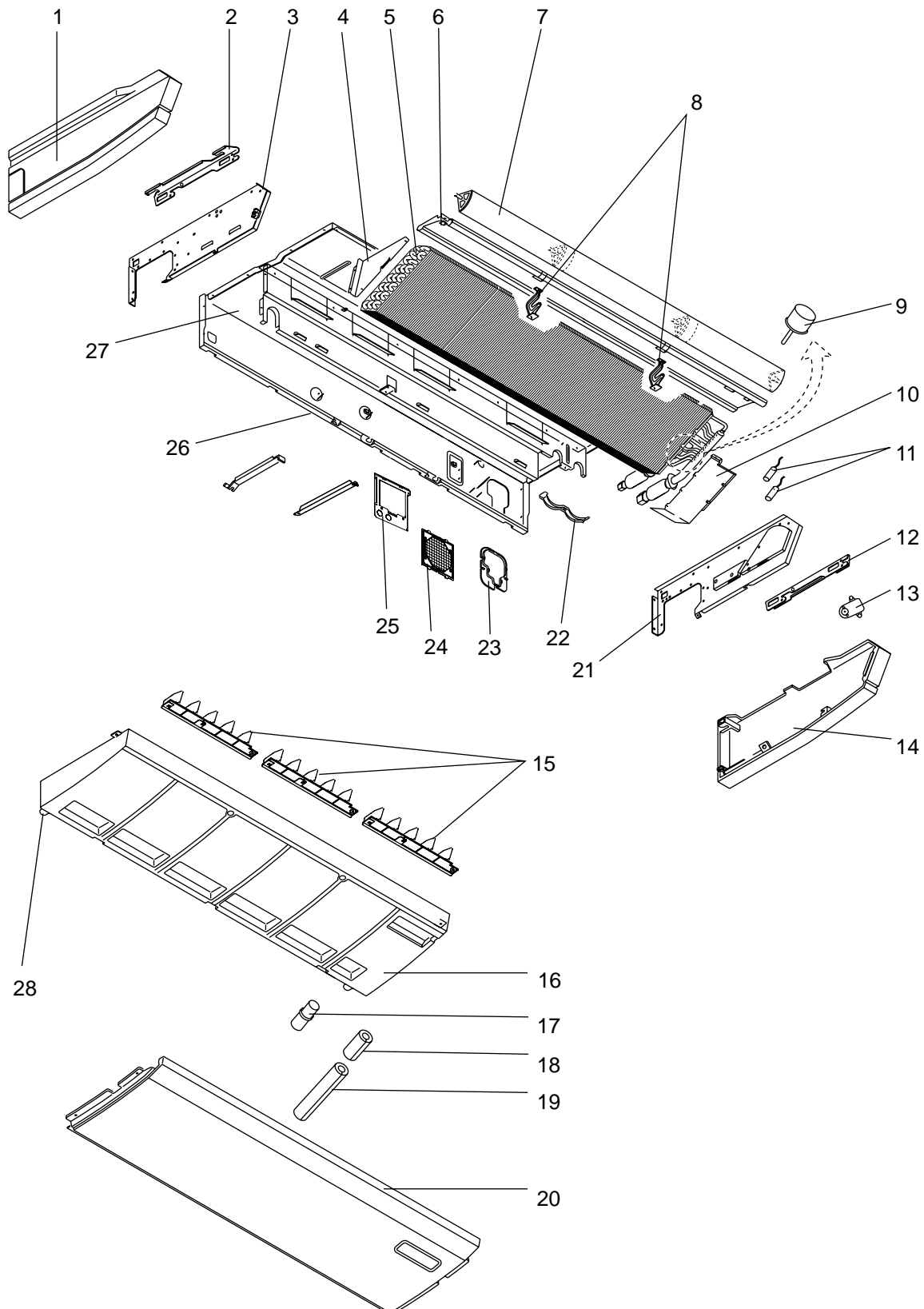
PCFY-P36NKMU-E.TH

PCFY-P15NKMU-ER1.TH

PCFY-P24NKMU-ER1.TH

PCFY-P30NKMU-ER1.TH

PCFY-P36NKMU-ER1.TH



RoHS PARTS LIST

No.	RoHS	Part No.	Part Name	Specification	Q'ty/set				Remarks (Drawing No.)	Wiring Diagram Symbol	Recom- mended Q'ty
					PCFY-P-NKMU-E.TH PCFY-P-NKMU-ER1.TH						
					15	24	30	36			
1	G	E17 648 086	SIDE PANEL-L		1	1	1	1			
2	G	E17 648 809	LEG-L		1	1	1	1			
3	G	E17 664 252	SIDE PLATE-L		1	1	1	1			
4	G	E17 648 648	COIL SUPPORT-H		1	1					
	G	E17 649 648	COIL SUPPORT-H				1	1			
5	G	E17 696 620	HEAT EXCHANGER		1						
	G	E17 697 620	HEAT EXCHANGER			1					
	G	E17 698 620	HEAT EXCHANGER				1				
	G	E17 699 620	HEAT EXCHANGER					1			
6	G	E17 704 000	FRONT PANEL (SMALL)		1						
	G	E17 664 000	FRONT PANEL (MIDDLE)			1					
	G	E17 666 000	FRONT PANEL (LARGE)				1	1			
7	G	E17 696 037	AUTO VANE		1						
	G	E17 648 037	AUTO VANE			1					
	G	E17 649 037	AUTO VANE				1	1			
8	G	E17 648 043	VANE SUPPORT		1	2	2	2			
9	G	E17 696 640	LINER EXPANSION VALVE		1	1				LEV	
	G	E17 698 640	LINER EXPANSION VALVE				1	1		LEV	
10	G	E17 650 648	COIL SUPPORT		1	1	1	1			
11	G	E17 696 307	THERMISTOR (PIPE)		1	1	1	1		TH22/23	
12	G	E17 648 808	LEG-R		1	1	1	1			
13	G	E17 648 303	VANE MOTOR ASSY		1	1	1	1		MV	
14	G	E17 648 085	SIDE PANEL-R		1	1	1	1			
15	G	E17 648 042	GUIDE VANE		2	3					
	G	E17 649 042	GUIDE VANE				3	3			
16	G	E17 704 700	DRAIN PAN		1						
	G	E17 664 700	DRAIN PAN			1					
	G	E17 666 700	DRAIN PAN				1	1			
17	G	E17 648 704	JOINT SOCKET		1	1	1	1			
18	G	E17 648 706	DRAIN SOCKET COVER		1	1	1	1			
19	G	E17 648 703	DRAIN HOSE COVER		1	1	1	1			
20	G	E17 696 717	UNDER PANEL		1						
	G	E17 648 717	UNDER PANEL			1					
	G	E17 649 717	UNDER PANEL				1	1			
21	G	E17 664 251	SIDE PLATE-R		1	1	1	1			
22	G	E17 648 708	PIPE BAND		1	1	1	1			
23	G	E17 648 903	PIPE HOLE COVER		1	1	1	1			
24	G	E17 664 100	AIR FILTER		1	1	1	1			
25	G	E17 664 102	FILTER GUIDE		1	1	1	1			
26	G	E17 704 522	REAR PANEL		1						
	G	E17 664 522	REAR PANEL			1					
	G	E17 666 522	REAR PANEL				1	1			
27	G	E17 704 290	BASE		1						
	G	E17 648 290	BASE			1					
	G	E17 649 290	BASE				1	1			
28	G	E17 648 524	DRAIN PLUG		1	1	1	1			

RoHS PARTS LIST

STRUCTURAL AND FUNCTIONAL PARTS (2)

PCFY-P15NKMU-E.TH

PCFY-P24NKMU-E.TH

PCFY-P30NKMU-E.TH

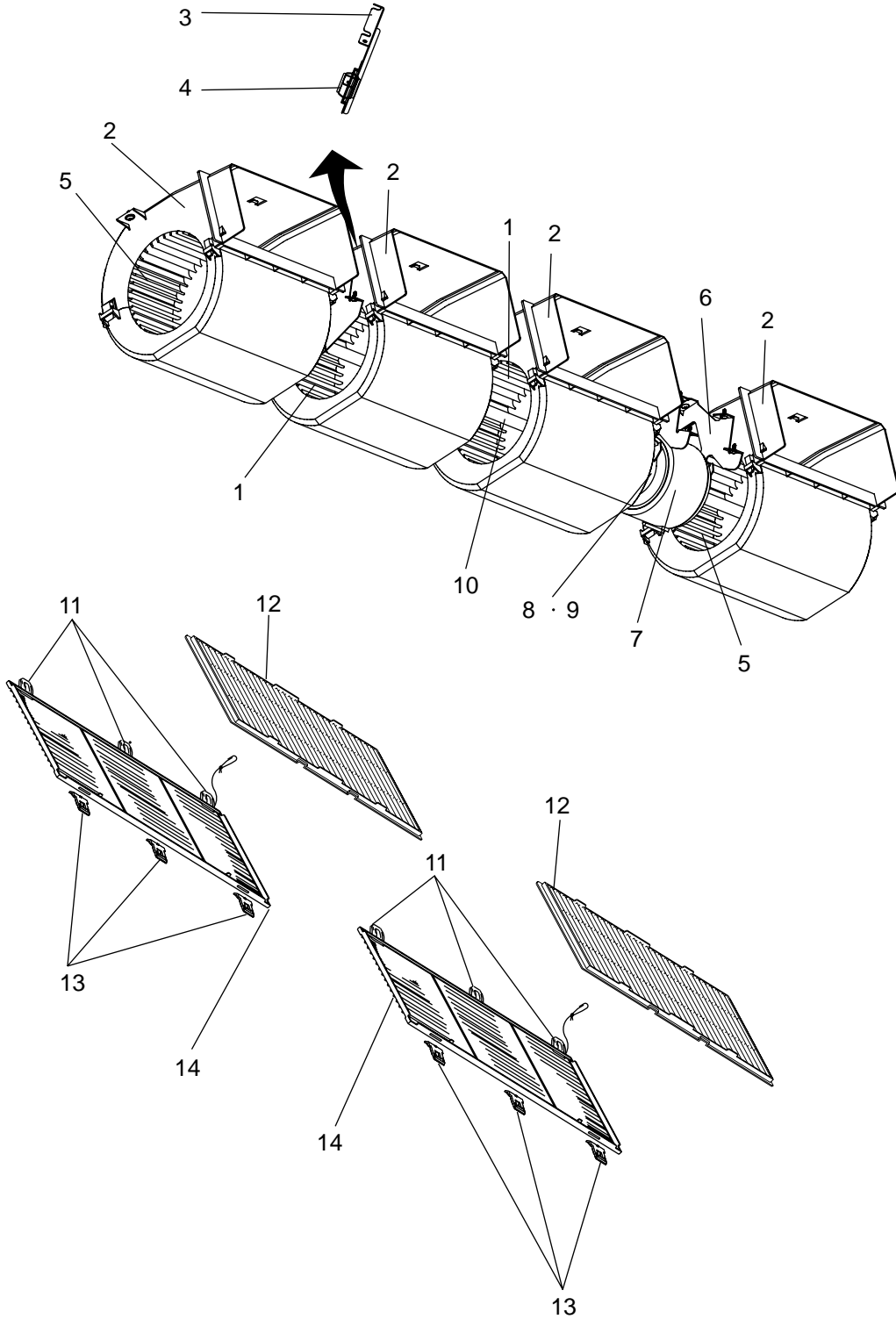
PCFY-P36NKMU-E.TH

PCFY-P15NKMU-ER1.TH

PCFY-P24NKMU-ER1.TH

PCFY-P30NKMU-ER1.TH

PCFY-P36NKMU-ER1.TH



RoHS PARTS LIST

No.	RoHS	Part No.	Part Name	Specification	Q'ty/set				Remarks (Drawing No.)	Wiring Diagram Symbol	Recom- mended Q'ty
					PCFY-P-NKMU-E.TH						
					PCFY-P-NKMU-ER1.TH						
15	24	30	36								
1	G	E17 649 500	SIROCCO FAN				2	2			
2	G	E17 648 237	FAN CASING	TOP+UNDER	2	3	4	4			
3	G	E17 648 512	BEARING SUPPORT			1	1	1			
4	G	E17 648 504	BEARING			1	1	1			
5	G	E17 648 500	SIROCCO FAN		2	3	2	2			
6	G	E17 648 334	MOTOR LEG		1	1	1	1			
7	G	E17 704 300	INDOOR FAN MOTOR		1					MF	
	G	E17 648 300	INDOOR FAN MOTOR			1				MF	
	G	E17 649 300	INDOOR FAN MOTOR				1	1		MF	
8	G	E17 648 333	PIECE (MOTOR) R.L		1	1	1	1			
9	G	E17 648 518	FAN JOINT ASSY			1	1	1			
10	G	E17 648 499	SHAFT FAN			1					
	G	E17 649 499	SHAFT FAN				1	1			
11	G	E17 648 143	GRILLE HINGE		4	5	6	6			
12	G	E17 648 100	AIR FILTER	Small	2	1					
	G	E17 649 100	AIR FILTER	Large		1	2	2			
13	G	E17 648 142	GRILLE CATCH		4	5	6	6			
14	G	E17 648 010	GRILLE (SMALL)		2	1					
	G	E17 649 010	GRILLE (LARGE)			1	2	2			

RoHS PARTS LIST

ELECTRICAL PARTS

PCFY-P15NKMU-E.TH

PCFY-P24NKMU-E.TH

PCFY-P30NKMU-E.TH

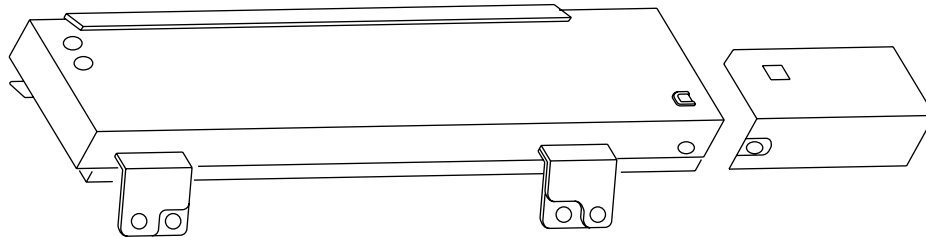
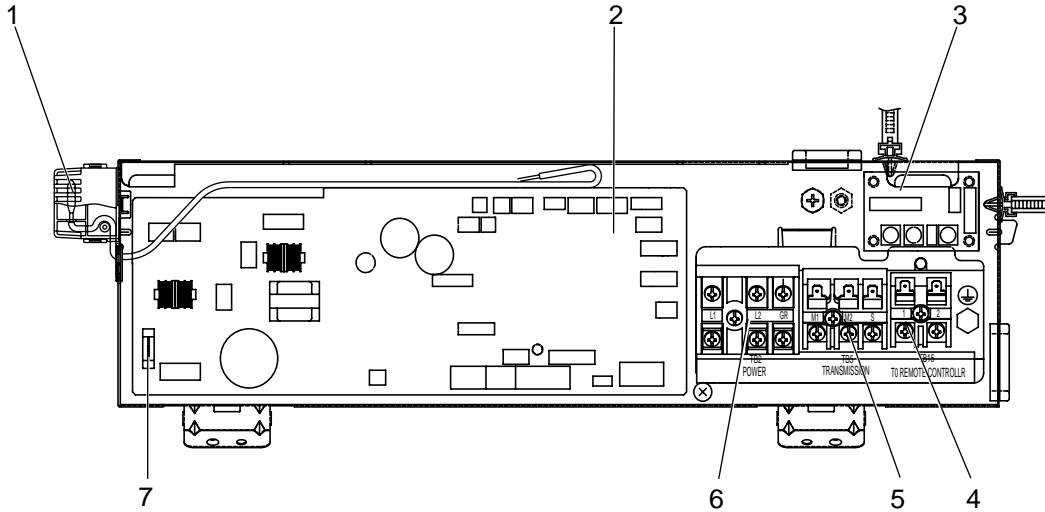
PCFY-P36NKMU-E.TH

PCFY-P15NKMU-ER1.TH

PCFY-P24NKMU-ER1.TH

PCFY-P30NKMU-ER1.TH

PCFY-P36NKMU-ER1.TH



No.	RoHS	Part No.	Part Name	Specification	Q'ty/set		Remarks (Drawing No.)	Wiring Diagram Symbol	Recom- mended Q'ty
					PCFY-P				
					15, 24, 30, 36				
					NKMU-E.TH	NKMU-ER1.TH			
1	G	E17 518 308	THERMISTOR (ROOM)		1	1		TH21	
2	G	E17 704 447	CONTROLLER BOARD		1			I.B	
2	G	E17 789 447	CONTROLLER BOARD			1		I.B	
3	G	E17 696 456	ADDRESS BOARD		1	1		A.B	
4	G	E17 705 375	TERMINAL BLOCK	2P (1, 2)	1	1		TB15	
5	G	E17 704 375	TERMINAL BLOCK	3P (M1, M2, S)	1	1		TB5	
6	G	E17 323 375	TERMINAL BLOCK	3P (L1, L2, GR)	1	1		TB2	
7	G	E17 250 382	FUSE	6.3A 250VAC	1	1		FUSE	
8	G	E12 661 385	VARISTOR		1	1		ZNR01,02	

2**OPTIONAL PARTS****2-1. WIRELESS REMOTE CONTROLLER KIT**

Part No.	PAR-SL93B-E
----------	-----------------------------

2-2. WIRELESS REMOTE CONTROLLER with i-see Sensor

Part No.	PAC-SA92MW-E
----------	--------------

2-3. i-see Sensor

Part No.	PAC-SH91MK-E
----------	------------------------------

2-4. DRAIN PUMP

Part No.	PAC-SH83DM-E	PAC-SH84DM-E
Applicable model	PCFY-P15NKMU-E.TH PCFY-P15NKMU-ER1.TH	PCFY-P24,30,36NKMU-E.TH PCFY-P24,30,36NKMU-ER1.TH

2-5. HIGH EFFICIENCY FILTER

Part No.	PAC-SH88KF-E	PAC-SH89KF-E	PAC-SH90KF-E
Applicable model	PCFY-P15NKMU-E.TH PCFY-P15NKMU-ER1.TH	PCFY-P24NKMU-E.TH PCFY-P24NKMU-ER1.TH	PCFY-P30,36NKMU-E.TH PCFY-P30,36NKMU-ER1.TH

CITY MULTI™

MITSUBISHI ELECTRIC CORPORATION

HEAD OFFICE : TOKYO BLDG., 2-7-3, MARUNOUCHI, CHIYODA-KU TOKYO 100-8310, JAPAN
