



September 2023

No. TCBT006
REVISED EDITION-A

PARTS CATALOG

Ceiling Suspended **R410A**

Indoor unit
[Model Name]

TPCA0A0241KA70A

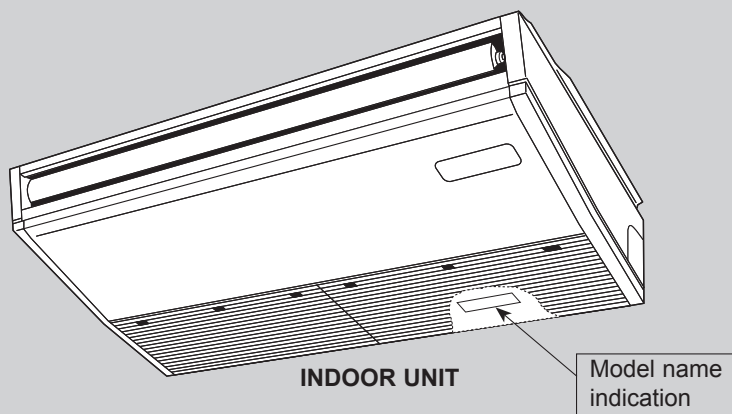
TPCA0A0301KA70A

TPCA0A0361KA70A

TPCA0A0421KA70A

Revision:
• Some details in the figure of service parts list have been modified.

TCBT006 is void.

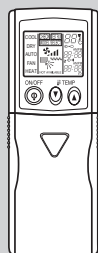


INDOOR UNIT

Model name indication



WIRED REMOTE CONTROLLER (Option)



IR WIRELESS REMOTE CONTROLLER (Option)

CONTENTS

1. SERVICE PARTS LIST 2

SERVICE MANUAL (TCHT006)

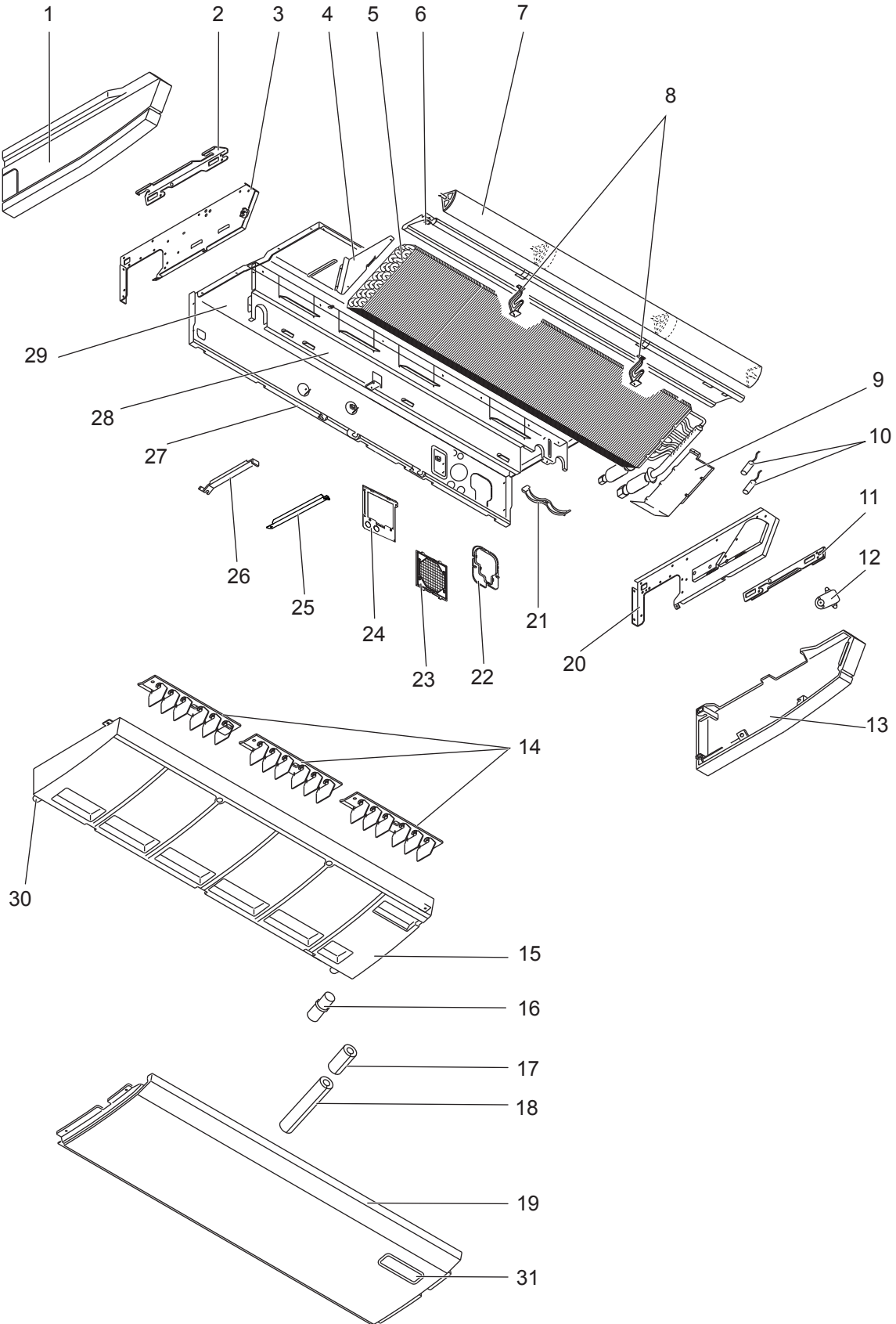
1

SERVICE PARTS LIST

STRUCTURAL AND FUNCTIONAL PARTS (1)

TPCA0A0241KA70A TPCA0A0301KA70A

TPCA0A0361KA70A TPCA0A0421KA70A



SERVICE PARTS LIST

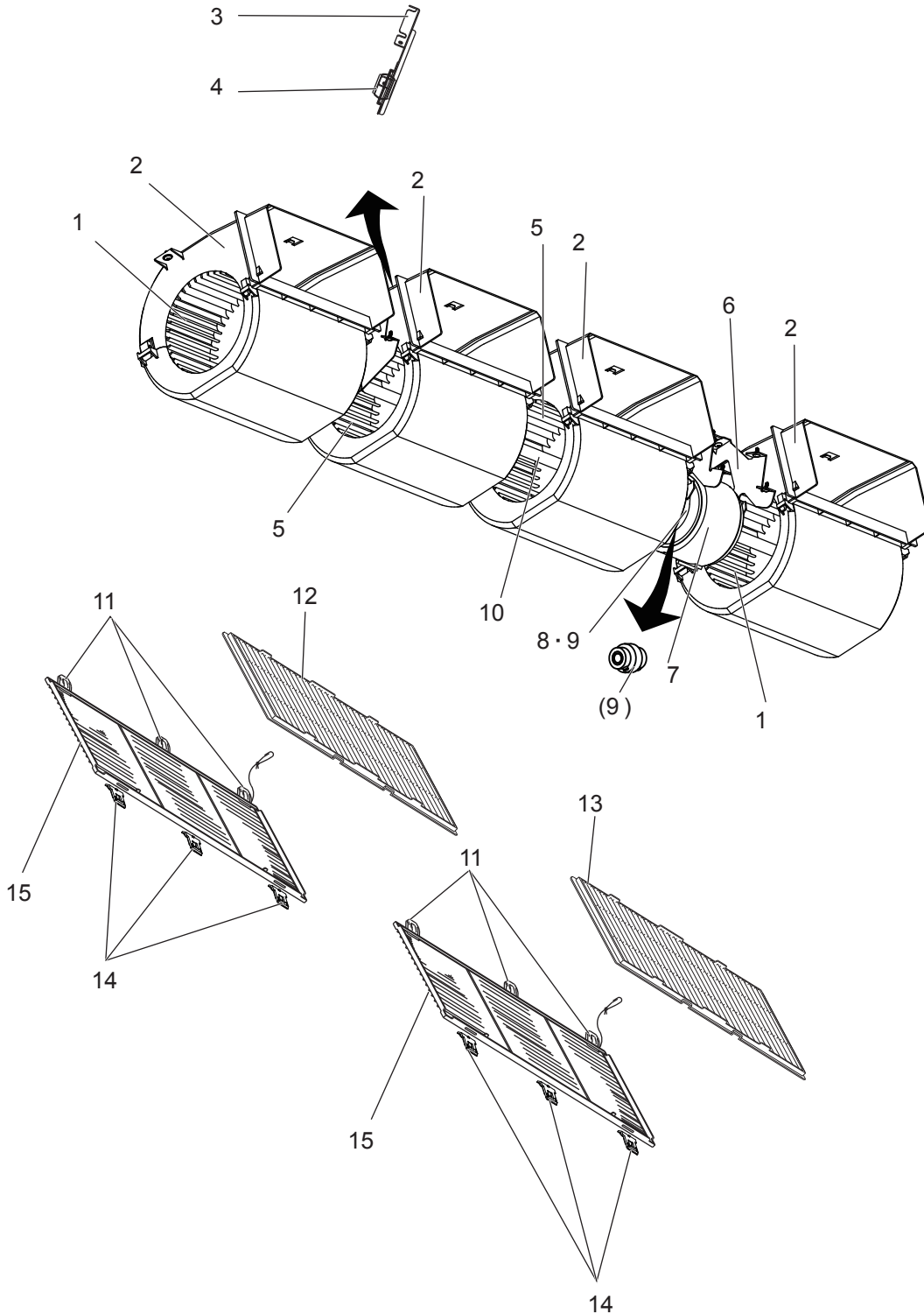
No.	Parts No.	Parts Name	Specification	Q'ty/unit				Remarks (Drawing No.)	Wiring Diagram Symbol	Recom- mended Q'ty
				TPCA0A0241KA70A	TPCA0A0301KA70A	TPCA0A0361KA70A	TPCA0A0421KA70A			
1	E27 648 086	SIDE PANEL-L		1	1	1	1			
2	E27 648 809	LEG-L		1	1	1	1			
3	E27 664 252	SIDE PLATE-L		1	1	1	1			
4	E27 648 648	COIL SUPPORT-H		1	1					
	E27 649 648	COIL SUPPORT-H				1				
	E27 651 648	COIL SUPPORT-H					1			
5	E27 664 620	HEAT EXCHANGER		1	1					
	E27 666 620	HEAT EXCHANGER				1				
	E27 782 620	HEAT EXCHANGER					1			
6	E27 664 000	FRONT PANEL		1	1					
	E27 666 000	FRONT PANEL				1	1			
7	E27 648 037	AUTO VANE		1	1					
	E27 649 037	AUTO VANE				1	1			
8	E27 648 043	VANE SUPPORT		2	2	2	2			
9	E27 650 648	COIL SUPPORT		1	1	1	1			
10	E27 696 307	THERMISTOR (PIPE)		1	1	1	1		TH2	
11	E27 648 808	LEG-R		1	1	1	1			
12	E27 648 303	VANE MOTOR ASSY		1	1	1	1		MV	
13	E27 648 085	SIDE PANEL-R		1	1	1	1			
14	E27 648 042	G.V ASSY-5		3	3					
	E27 649 042	G.V ASSY-6				3	3			
15	E27 664 700	DRAIN PAN ASSY		1	1					
	E27 666 700	DRAIN PAN ASSY				1	1			
16	E27 648 704	JOINT SOCKET		1	1	1	1			
17	E27 648 706	DRAIN SOCKET COVER		1	1	1	1			
18	E27 648 703	DRAIN HOSE COVER		1	1	1	1			
19	E27 648 717	UNDER PANEL		1	1					
	E27 649 717	UNDER PANEL				1	1			
20	E27 664 251	SIDE PLATE-R		1	1	1	1			
21	E27 648 708	PIPE BAND		1	1	1	1			
22	E27 648 903	PIPE HOLE COVER		1	1	1	1			
23	E27 664 100	AIR FILTER		1	1	1	1			
24	E27 664 102	FILTER GUIDE		1	1	1	1			
25	-	BEAM		1	1	1	1	(BH02G431G12)		
26	-	BEAM		1	1	1	1	(RG00D642G06)		
27	E27 664 522	REAR PANEL		1	1					
	E27 666 522	REAR PANEL				1	1			
28	-	FAN PLATE		1	1			(BH00B360G33)		
	-	FAN PLATE				1	1	(BH00B360G34)		
29	E27 648 290	BASE		1	1					
	E27 649 290	BASE				1	1			
30	E27 648 524	DRAIN PLUG		1	1	1	1			
31	-	CI PLATE		1	1	1	1	(VG00J667G01)		

SERVICE PARTS LIST

STRUCTURAL AND FUNCTIONAL PARTS (2)

TPCA0A0241KA70A TPCA0A0301KA70A

TPCA0A0361KA70A TPCA0A0421KA70A



SERVICE PARTS LIST

No.	Parts No.	Parts Name	Specification	Q'ty/unit				Remarks (Drawing No.)	Wiring Diagram Symbol	Recom- mended Q'ty
				TPCA0A0241KA70A	TPCA0A0301KA70A	TPCA0A0361KA70A	TPCA0A0421KA70A			
1	E27 648 500	SIROCCO FAN	Small	3	3	2	2			
2	E27 648 237	FAN CASING	TOP+UNDER	3	3	4	4			
3	E27 648 512	BEARING SUPPORT		1	1	1	1			
4	E27 648 504	SLEEVE BEARING		1	1	1	1			
5	E27 649 500	SIROCCO FAN	Large			2	2			
6	E27 648 334	MOTOR LEG		1	1	1	1			
7	E27 72M 300	INDOOR FAN MOTOR		1	1				MF	
	E27 85N 300	INDOOR FAN MOTOR				1	1		MF	
8	E27 648 333	PIECE (MOTOR) R.L		1	1	1	1			
9	E27 648 518	FAN JOINT ASSY		1	1	1	1			
10	E27 648 499	SHAFT FAN		1	1					
	E27 649 499	SHAFT FAN				1	1			
11	E27 648 143	GRILLE HINGE		5	5	6	6			
12	E27 648 100	AIR FILTER	Small	1	1					
13	E27 649 100	AIR FILTER	Large	1	1	2	2			
14	E27 648 142	GRILLE CATCH		5	5	6	6			
15	E27 648 010	GRILLE ASSY		1	1					
	E27 649 010	GRILLE ASSY		1	1	2	2			

SERVICE PARTS LIST

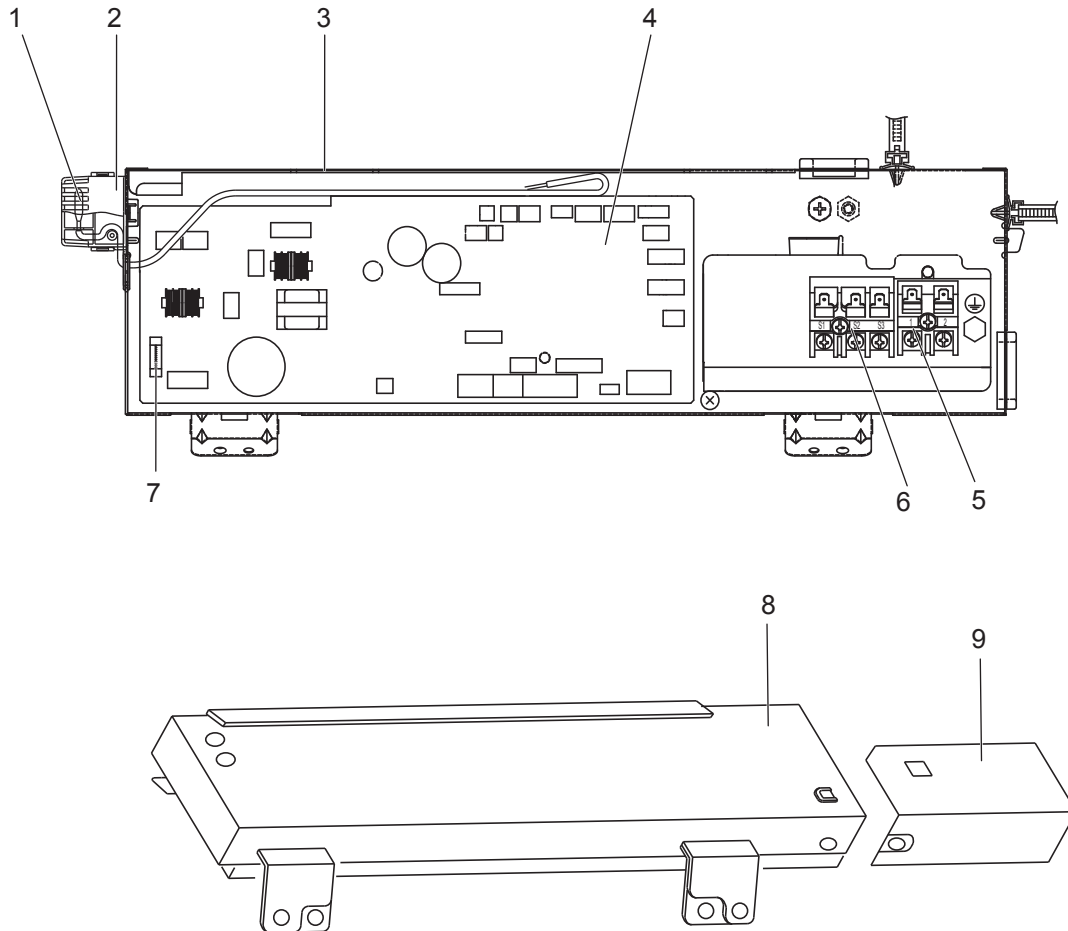
ELECTRICAL PARTS

TPCA0A0241KA70A

TPCA0A0301KA70A

TPCA0A0361KA70A

TPCA0A0421KA70A



No.	Parts No.	Parts Name	Specification	Q'ty/unit				Remarks (Drawing No.)	Wiring Diagram Symbol	Recom- mended Q'ty
				TPCA0A0241KA70A	TPCA0A0301KA70A	TPCA0A0361KA70A	TPCA0A0421KA70A			
1	E27 518 308	THERMISTOR (ROOM)		1	1	1	1		TH1	
2	-	SENSOR COVER		1	1	1	1	(RG25V835G09)		
3	-	ELECTRICAL BOX		1	1	1	1	(BH00R345G08)		
4	E27 D87 447	CONTROLLER BOARD		1	1	1	1		I.B.	
5	E27 516 375	TERMINAL BLOCK	2P (1, 2)	1	1	1	1		TB5	
6	E27 162 375	TERMINAL BLOCK	3P (S1, S2, S3)	1	1	1	1		TB4	
7	E27 648 382	FUSE	6.3A 250VAC	1	1	1	1		FUSE	
8	-	ELECTRICAL BOX COVER		1	1	1		(VM00C661G02)		
9	-	ELECTRICAL BOX COVER		1	1	1	1	(RG02V755G03)		
⑩	E22 A45 385	VARISTOR		1	1	1	1		ZNR01,ZNR02	

mitsubishi electric trane hvac us llc

HEAD OFFICE: 1340 SATELLITE BOULEVARD, SUWANEE, GA 30024, USA

MITSUBISHI ELECTRIC CONSUMER PRODUCTS (THAILAND) CO., LTD.
700/406 MOO 7, TAMBON DON HUA ROH,
AMPHUR MUANG, CHONBURI 20000 THAILAND
Issued: Sep. 2023. No. TCBT006 REVISED EDITION-A
Published: Sep. 2019. No. TCBT006
Made in Thailand

Specifications are subject to change without notice.