

SPLIT-TYPE, HEAT PUMP AIR CONDITIONERS
SPLIT-TYPE, AIR CONDITIONERS

March 2012

No. OCB501

PARTS CATALOG

Series PCA Ceiling Suspended R410A

Indoor unit
[Model names]

[Service Ref.]

PCA-A24KA4

PCA-A24KA4.TH

PCA-A30KA4

PCA-A30KA4.TH

PCA-A36KA4

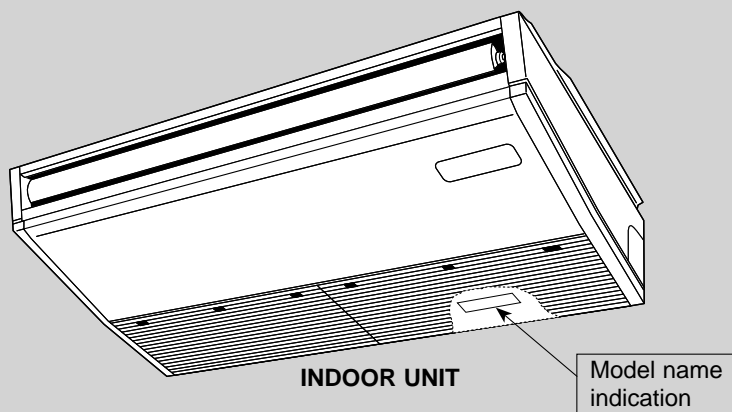
PCA-A36KA4.TH

PCA-A42KA4

PCA-A42KA5.TH

NOTE:

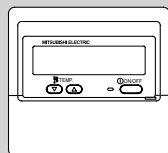
- RoHS compliant products have <G> mark on the spec name plate.



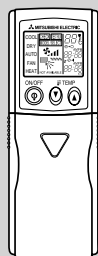
CONTENTS

1. RoHS PARTS LIST 2

SERVICE MANUAL (OCH501)



**WIRED REMOTE
CONTROLLER**
(Option)



**IR WIRELESS REMOTE
CONTROLLER** (Option)



Mr. SLIM™

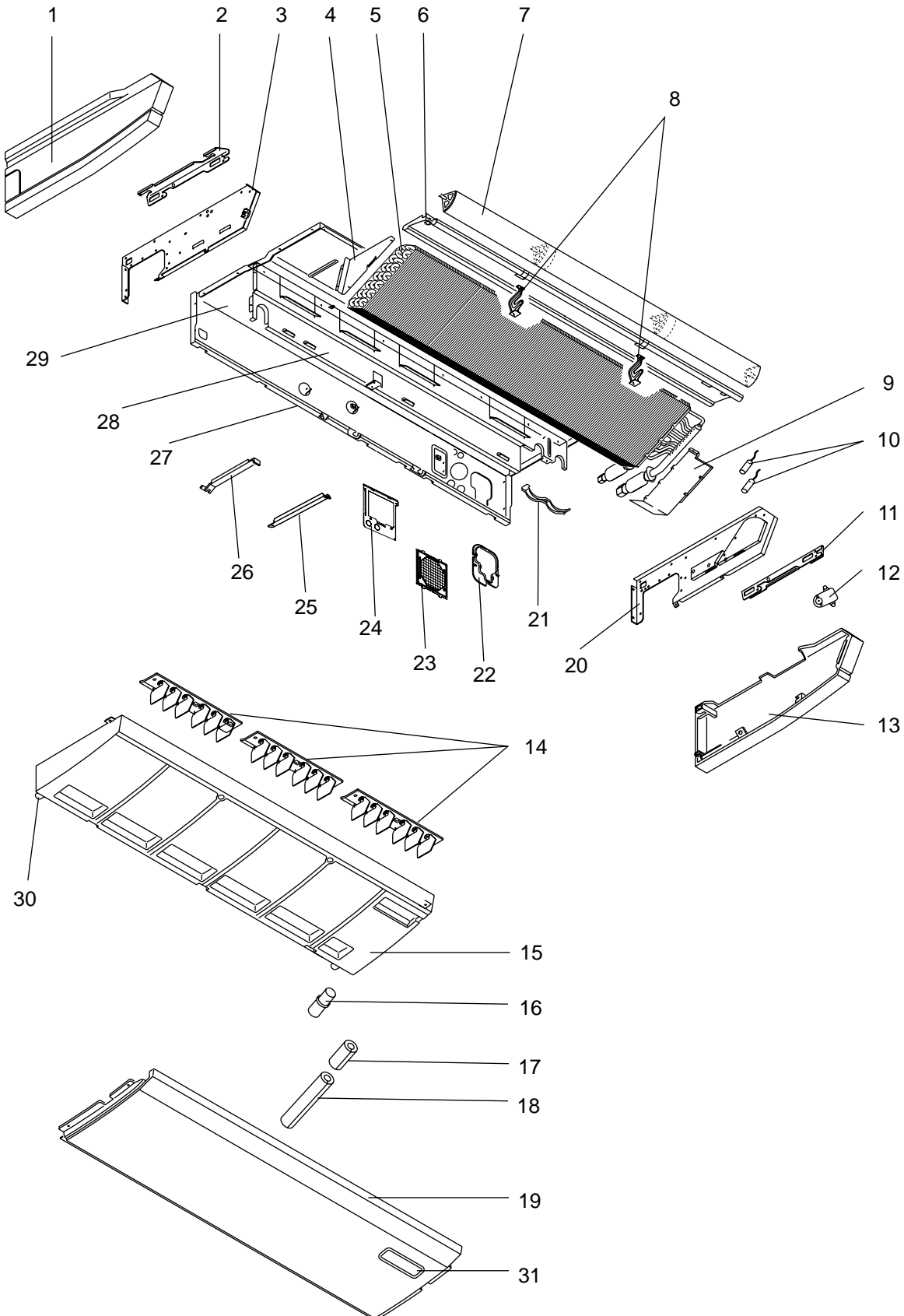
STRUCTURAL AND FUNCTIONAL PARTS (1)

PCA-A24KA4.TH

PCA-A30KA4.TH

PCA-A36KA4.TH

PCA-A42KA5.TH



RoHS PARTS LIST

No.	RoHS	Part No.	Part Name	Specification	Q'ty/set				Remarks (Drawing No.)	Wiring Diagram Symbol	Recom- mended Q'ty
					PCA-A-KA4.TH			PCA-A42 KA5.TH			
					24	30	36				
1	G	E17 648 086	SIDE PANEL-L		1	1	1	1			
2	G	E17 648 809	LEG-L		1	1	1	1			
3	G	E17 664 252	SIDE PLATE-L		1	1	1	1			
4	G	E17 648 648	COIL SUPPORT-H		1	1					
	G	E17 649 648	COIL SUPPORT-H				1				
	G	E17 651 648	COIL SUPPORT-H					1			
5	G	E17 664 620	HEAT EXCHANGER		1	1					
	G	E17 666 620	HEAT EXCHANGER				1				
	G	E17 782 620	HEAT EXCHANGER					1			
6	G	E17 664 000	FRONT PANEL		1	1					
	G	E17 666 000	FRONT PANEL				1	1			
7	G	E17 648 037	AUTO VANE		1	1					
	G	E17 649 037	AUTO VANE				1	1			
8	G	E17 648 043	VANE SUPPORT		2	2	2	2			
9	G	E17 650 648	COIL SUPPORT		1	1	1	1			
10	G	E17 696 307	THERMISTOR (PIPE)		1	1	1	1		TH2	
11	G	E17 648 808	LEG-R		1	1	1	1			
12	G	E17 648 303	VANE MOTOR ASSY		1	1	1	1		MV	
13	G	E17 648 085	SIDE PANEL-R		1	1	1	1			
14	G	E17 648 042	GUIDE VANE		3	3					
	G	E17 649 042	GUIDE VANE				3	3			
15	G	E17 664 700	DRAIN PAN		1	1					
	G	E17 666 700	DRAIN PAN				1	1			
16	G	E17 648 704	JOINT SOCKET		1	1	1	1			
17	G	E17 648 706	DRAIN SOCKET COVER		1	1	1	1			
18	G	E17 648 703	DRAIN HOSE COVER		1	1	1	1			
19	G	E17 648 717	UNDER PANEL		1	1					
	G	E17 649 717	UNDER PANEL				1	1			
20	G	E17 664 251	SIDE PLATE-R		1	1	1	1			
21	G	E17 648 708	PIPE BAND		1	1	1	1			
22	G	E17 648 903	PIPE HOLE COVER		1	1	1	1			
23	G	E17 664 100	AIR FILTER		1	1	1	1			
24	G	E17 664 102	FILTER GUIDE		1	1	1	1			
25	G	-	BEAM		1	1	1	1	(BH02G431G12)		
26	G	-	BEAM		1	1	1	1	(RG00D642G06)		
27	G	E17 664 522	REAR PANEL		1	1					
	G	E17 666 522	REAR PANEL				1	1			
28	G	-	FAN PLATE		1	1			(BH00B360G24)		
	G	-	FAN PLATE				1	1	(BH00B360G25)		
29	G	E17 648 290	BASE		1	1					
	G	E17 649 290	BASE				1	1			
30	G	E17 648 524	DRAIN PLUG		1	1	1	1			
31	G	-	CI PLATE		1	1	1	1	(BK00J592G01)		

RoHS PARTS LIST

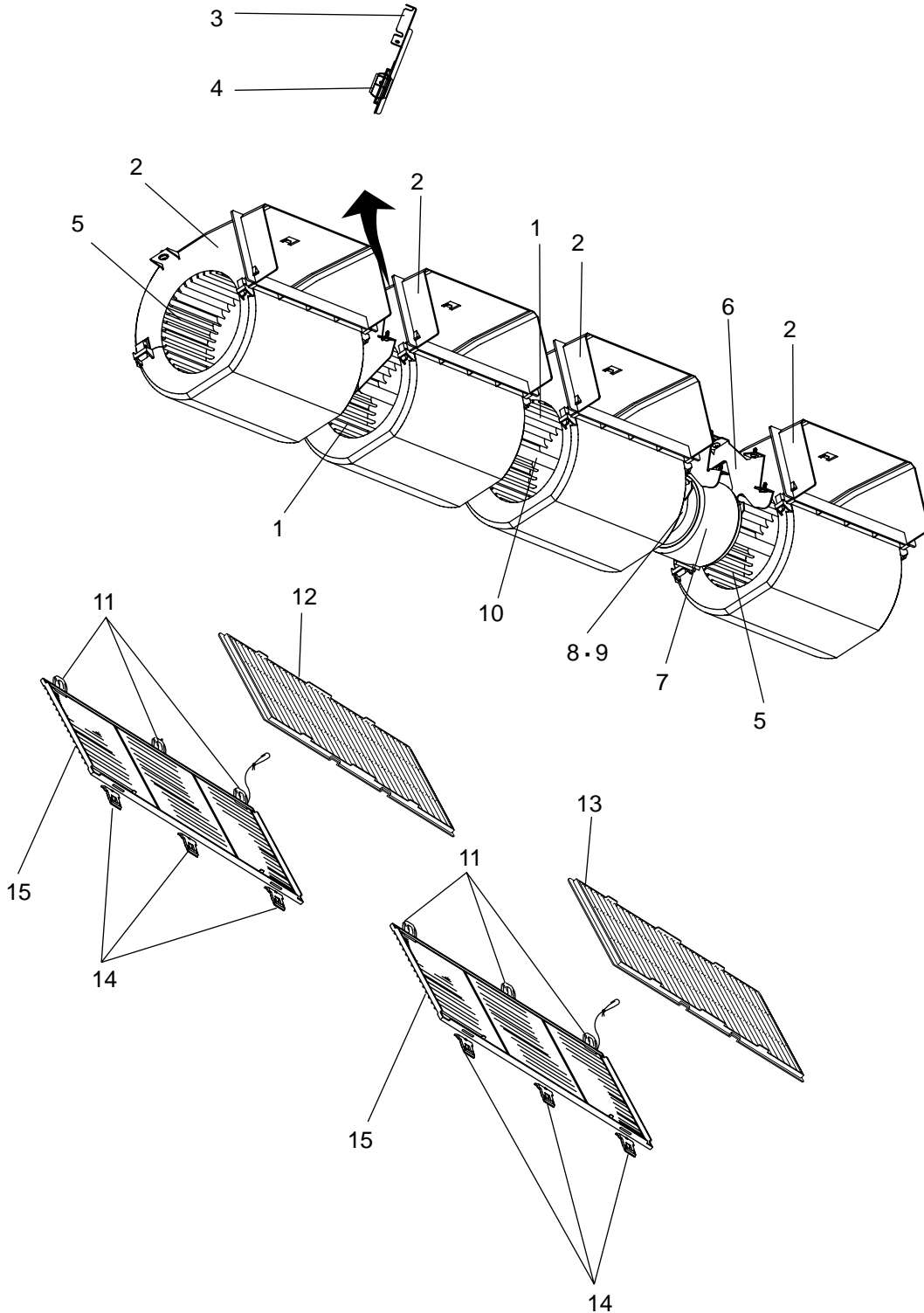
STRUCTURAL AND FUNCTIONAL PARTS (2)

PCA-A24KA4.TH

PCA-A30KA4.TH

PCA-A36KA4.TH

PCA-A42KA5.TH



RoHS PARTS LIST

No.	RoHS	Part No.	Part Name	Specification	Q'ty/set				Remarks (Drawing No.)	Wiring Diagram Symbol	Recom- mended Q'ty
					PCA-A-KA4.TH			PCA-A42 KA5.TH			
					24	30	36				
1	G	E17 648 500	SIROCCO FAN		3	3	2	2			
2	G	E17 648 237	FAN CASING	TOP+UNDER	3	3	4	4			
3	G	E17 648 512	BEARING SUPPORT		1	1	1	1			
4	G	E17 648 504	BEARING		1	1	1	1			
5	G	E17 649 500	SIROCCO FAN				2	2			
6	G	E17 648 334	MOTOR LEG		1	1	1	1			
7	G	E17 648 300	INDOOR FAN MOTOR		1	1				MF	
	G	E17 649 300	INDOOR FAN MOTOR				1	1		MF	
8	G	E17 648 333	PIECE (MOTOR) R.L		1	1	1	1			
9	G	E17 648 518	FAN JOINT ASSY		1	1	1	1			
10	G	E17 648 499	SHAFT FAN		1	1					
	G	E17 649 499	SHAFT FAN				1	1			
11	G	E17 648 143	GRILLE HINGE		5	5	6	6			
12	G	E17 648 100	AIR FILTER	Small	1	1					
13	G	E17 649 100	AIR FILTER	Large	1	1	2	2			
14	G	E17 648 142	GRILLE CATCH		5	5	6	6			
15	G	E17 648 010	GRILLE (SMALL)		1	1					
	G	E17 649 010	GRILLE (LARGE)		1	1	2	2			

RoHS PARTS LIST

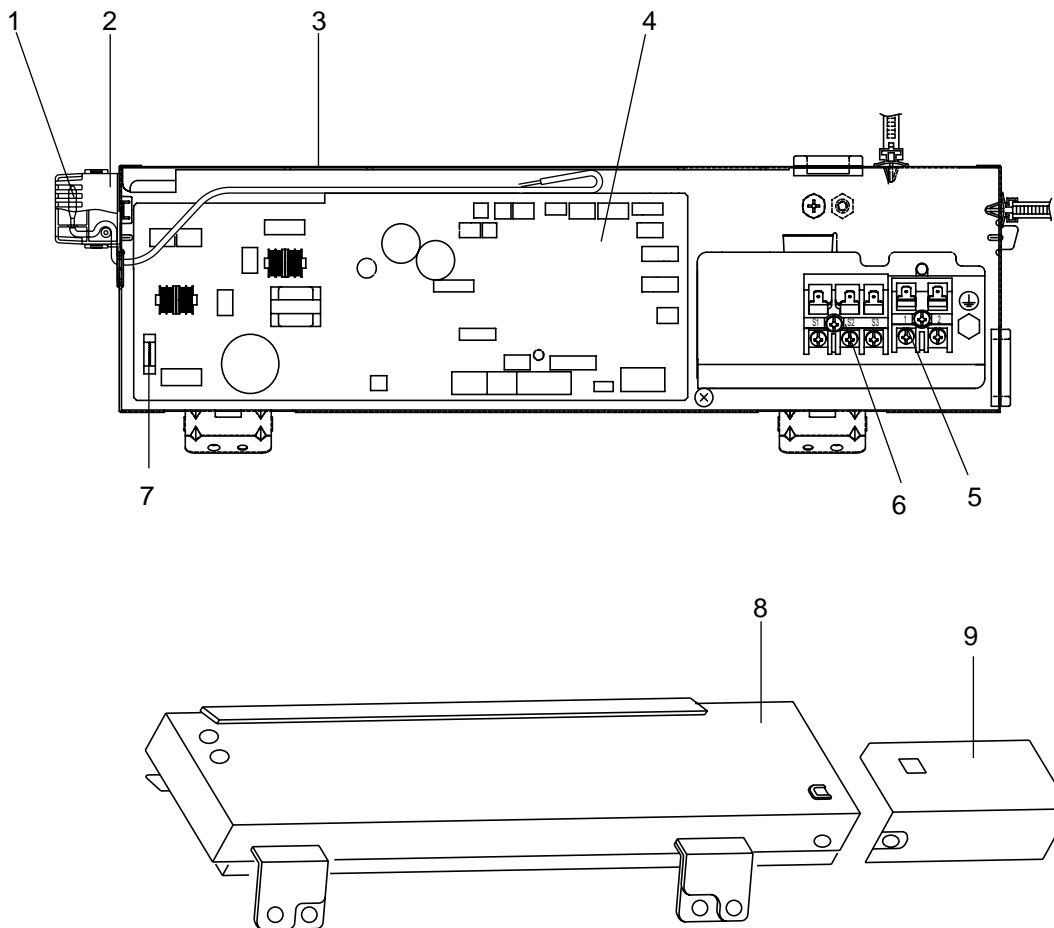
ELECTRICAL PARTS

PCA-A24KA4.TH

PCA-A30KA4.TH

PCA-A36KA4.TH

PCA-A42KA5.TH



No.	RoHS	Part No.	Part Name	Specification	Q'ty/set		Remarks (Drawing No.)	Wiring Diagram Symbol	Recom- mended Q'ty
					PCA-A24KA4.TH PCA-A30KA4.TH PCA-A36KA4.TH	PCA-A42KA5.TH			
1	G	E17 518 308	THERMISTOR (ROOM)		1	1		TH1	
2	G	-	SENSOR COVER		1	1	(RG25V835G03)		
3	G	-	ELECTRICAL BOX		1	1	(BH00R345G08)		
4	G	E17 664 447	CONTROLLER BOARD		1	1		I.B.	
5	G	E17 516 375	TERMINAL BLOCK	2P (1, 2)	1	1		TB5	
6	G	E17 162 375	TERMINAL BLOCK	3P (S1, S2, S3)	1	1		TB4	
7	G	E17 648 382	FUSE	6.3A 250VAC	1	1		FUSE	
8	G	-	ELECTRICAL BOX COVER		1		(BH00R348G11)		
	G	-	ELECTRICAL BOX COVER			1	(BH00R348G22)		
9	G	-	ELECTRICAL BOX COVER		1	1	(RG02V755G03)		
⑩	G	E12 A45 385	VARISTOR		1	1		ZNR01,02	

Mr. SLIM™

mitsubishi electric corporation

HEAD OFFICE : TOKYO BLDG., 2-7-3, MARUNOUCHI, CHIYODA-KU, TOKYO 100-8310, JAPAN
