

SPLIT-TYPE, HEAT PUMP AIR CONDITIONERS  
SPLIT-TYPE, AIR CONDITIONERS

December 2023

No.OCB455  
REVISED EDITION-A

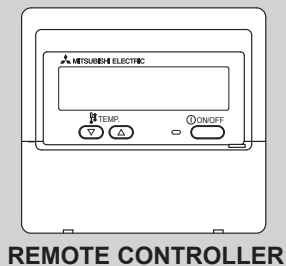
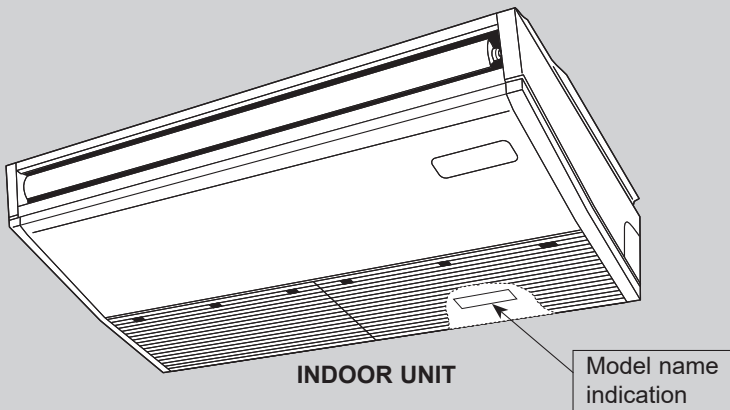
# PARTS CATALOG

## Series PCA Ceiling Suspended R410A

Indoor unit [Model names]	[Service Ref.]
PCA-A24KA	<b>PCA-A24KA</b>
PCA-A30KA	<b>PCA-A30KA</b>
PCA-A36KA	<b>PCA-A36KA</b>
PCA-A42KA	<b>PCA-A42KA</b>

NOTE:  
 • Revised the positions of SIROCCO FANS in REVISED EDITION-A.

OCB455 is void.




---

**CONTENTS**

---

1. SERVICE PARTS LIST .....2

**SERVICE MANUAL (OCH455)**



# SERVICE PARTS LIST

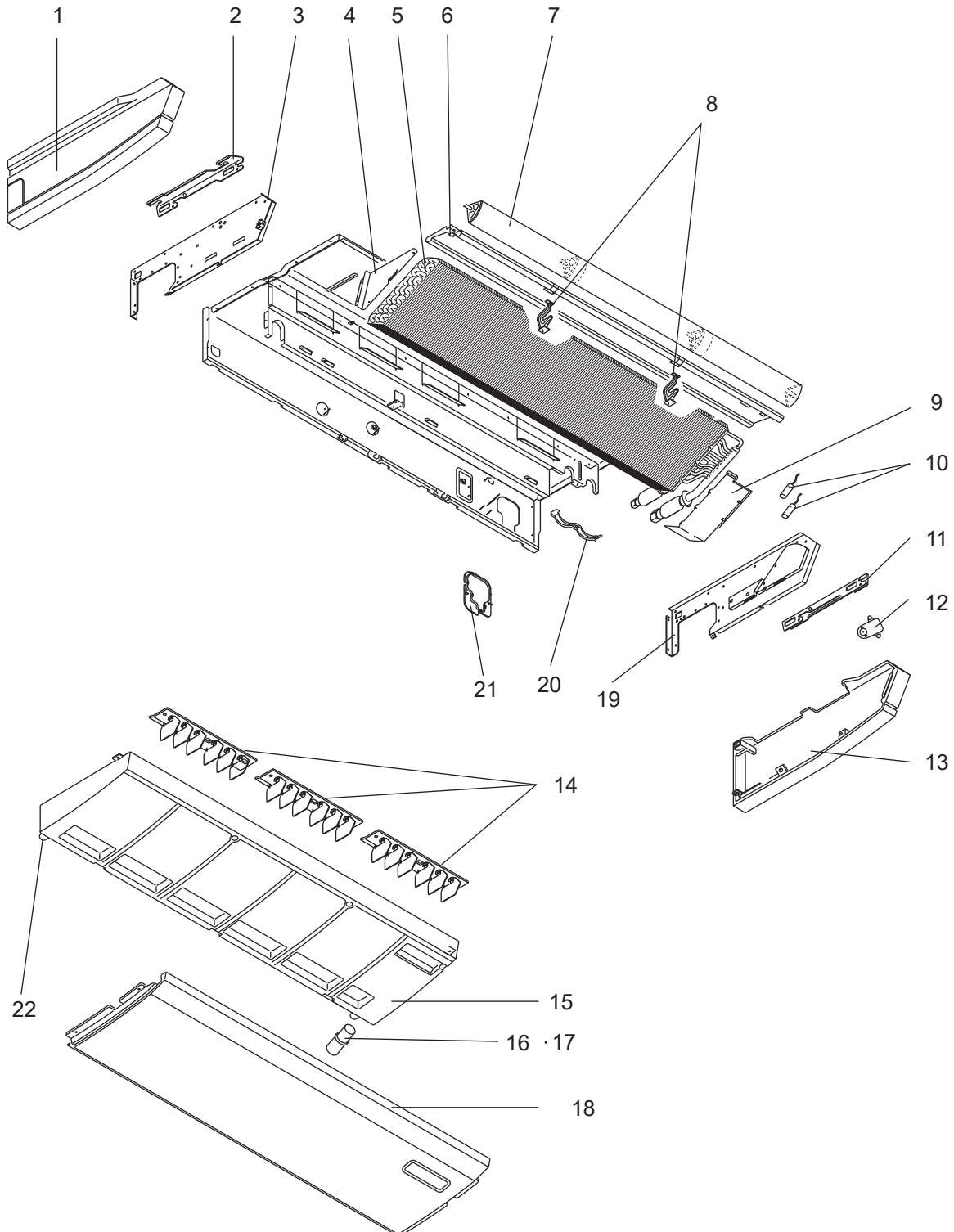
## STRUCTURAL AND FUNCTIONAL PARTS (1)

PCA-A24KA

PCA-A30KA

PCA-A36KA

PCA-A42KA



1. The part quantity below indicates the required number of pieces per unit.
2. The circled No. indicates that the part is not shown in the figure.

No.	Parts No.	Parts Name	PCA-A24KA	PCA-A30KA	PCA-A36KA	PCA-A42KA	Wiring Diagram Symbol	Remarks [Drawing No.]
1	R01 E26 662	SIDE PANEL-L	1	1	1	1		
2	R01 E06 809	LEG-L	1	1	1	1		
3	T7W E04 666	SIDE PLATE-L	1	1	1	1		
4	R01 E05 615	COIL SUPPORT-H	1	1	1	1		
5	T7W N10 480	HEAT EXCHANGER	1	1				
5	R01 N51 480	HEAT EXCHANGER			1			
5	R01 N52 480	HEAT EXCHANGER				1		
6	T7W E14 651	FRONT PANEL	1	1				
6	T7W E15 651	FRONT PANEL			1	1		
7	R01 E29 002	AUTO VANE	1	1				
7	R01 E30 002	AUTO VANE			1	1		
8	R01 E04 033	VANE SUPPORT	2	2	2	2		
9	T7W E00 615	COIL SUPPORT	1	1	1	1		
10	T7W E61 202	THERMISTOR (PIPE)	1	1	1	1	TH2/TH5	
11	R01 E06 808	LEG-R	1	1	1	1		
12	R01 E25 223	VANE MOTOR ASSY	1	1	1	1	MV	
13	R01 E45 661	SIDE PANEL-R	1	1	1	1		
14	R01 E03 085	GUIDE VANE	3	3				
14	R01 E04 085	GUIDE VANE			3	3		
15	T7W E36 529	DRAIN PAN	1	1				
15	T7W E37 529	DRAIN PAN			1	1		
16	R01 18J 523	JOINT SOCKET	1	1	1	1		
17	R01 18J 072	DRAIN HOSE COVER	1	1	1	1		
18	R01 E04 669	UNDER PANEL	1	1				
18	R01 E05 669	UNDER PANEL			1	1		
19	T7W E05 665	SIDE PLATE-R	1	1	1	1		
20	R01 E02 126	PIPE BAND	1	1	1	1		
21	R01 E00 053	PIPE HOLE COVER	1	1	1	1		
22	R01 18J 524	DRAIN PLUG	1	1	1	1		

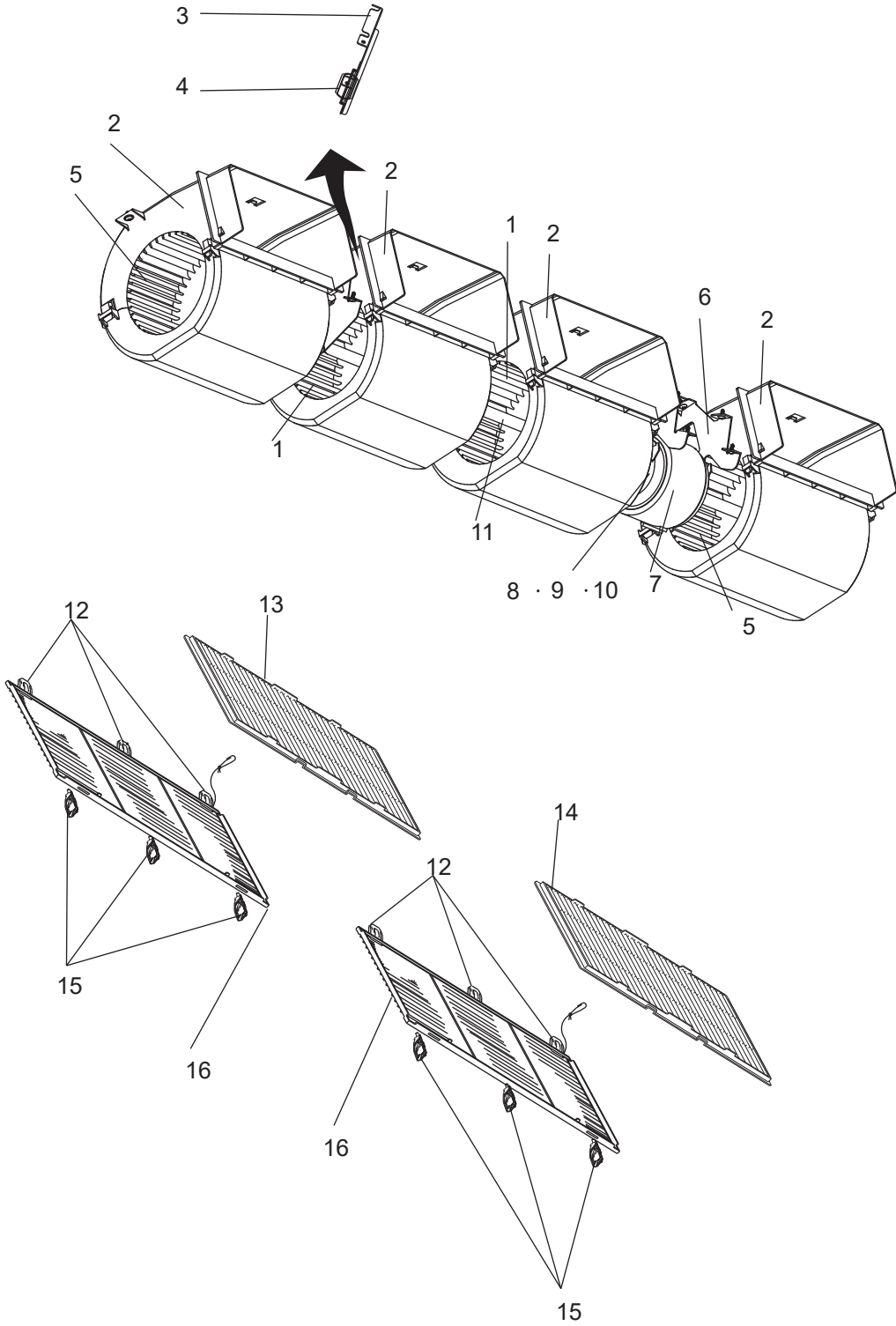
**STRUCTURAL AND FUNCTIONAL PARTS (2)**

**PCA-A24KA**

**PCA-A30KA**

**PCA-A36KA**

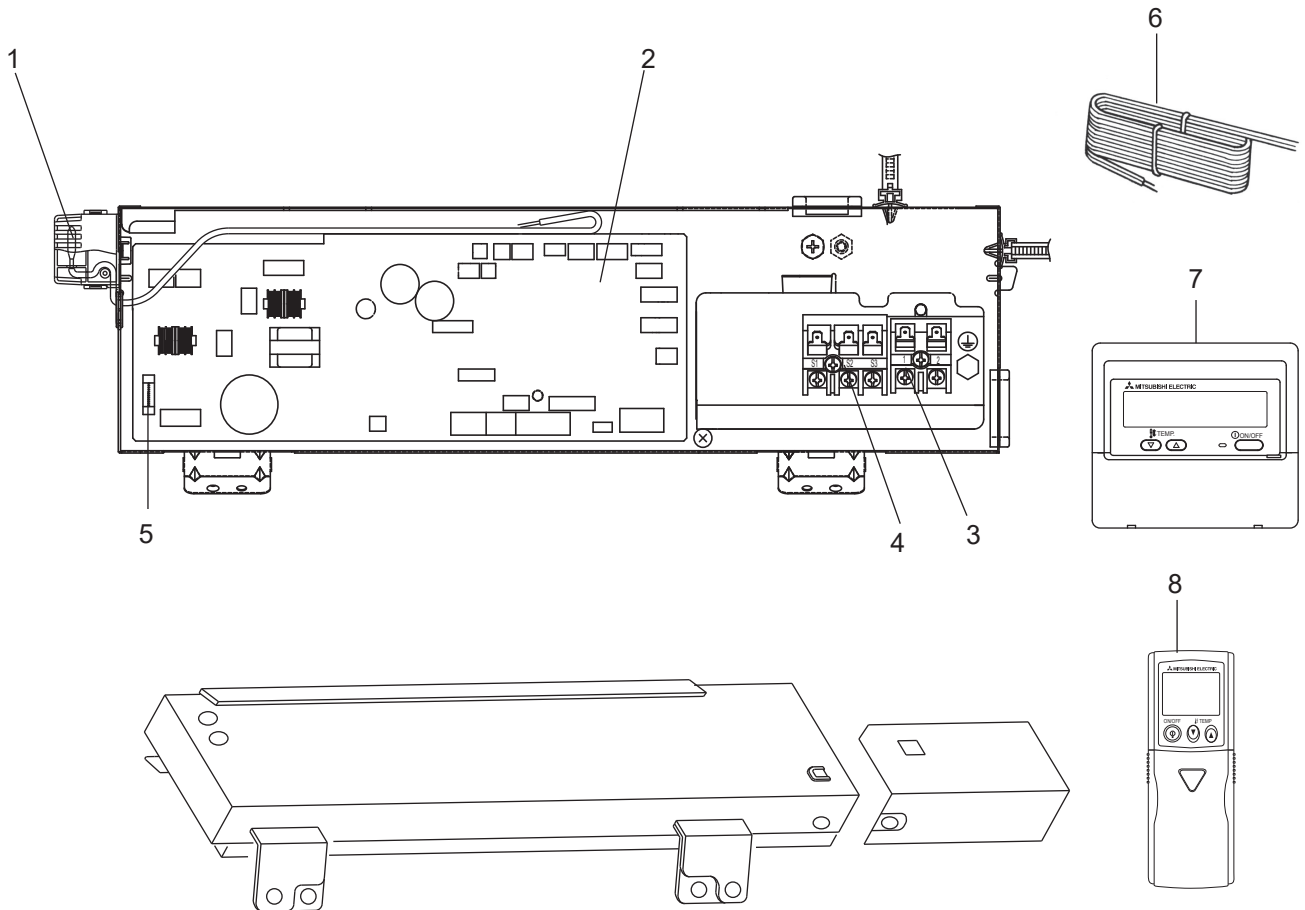
**PCA-A42KA**



1. The part quantity below indicates the required number of pieces per unit.
2. The circled No. indicates that the part is not shown in the figure.

No.	Parts No.	Parts Name	PCA-A24KA	PCA-A30KA	PCA-A36KA	PCA-A42KA	Wiring Diagram Symbol	Remarks [Drawing No.]
1	R01 E41 114	SIROCCO FAN			2	2		
2	R01 20J 110	CASING	3	3	4	4		
3	R01 E00 145	BEARING SUPPORT	1	1	1	1		
4	R01 E05 103	BEARING	1	1	1	1		
5	R01 E40 114	SIROCCO FAN	3	3	2	2		
6	R01 E41 130	MOTOR LEG	1	1	1	1		
7	R01 E47 220	FAN MOTOR	1	1			MF	
7	R01 E48 220	FAN MOTOR			1	1	MF	
8	R01 46E 126	PIECE (MOTOR) R.L	1	1	1	1		
9	R01 E00 116	JOINT(SHAFT)	1	1	1	1		
10	R01 47A 105	RUBBER MOUNT	2	2	2	2		
11	R01 31J 100	SHAFT	1	1				
11	R01 32J 100	SHAFT			1	1		
12	R01 E04 061	GRILLE HINGE	5	5	6	6		
13	R01 E24 500	AIR FILTER	1	1				
14	R01 E25 500	AIR FILTER	1	1	2	2		
15	R01 E11 054	GRILLE CATCH	5	5	6	6		
16	R01 E54 691	GRILLE (SMALL)	1	1				
16	R01 E55 691	GRILLE (LARGE)	1	1	2	2		

## ELECTRICAL PARTS



1. The part quantity below indicates the required number of pieces per unit.  
 2. The circled No. indicates that the part is not shown in the figure.

No.	Parts No.	Parts Name					Wiring Diagram Symbol	Remarks [Drawing No.]
			PCA-A24KA	PCA-A30KA	PCA-A36KA	PCA-A42KA		
1	R01 N18 202	THERMISTOR (ROOM)	1	1	1	1	TH1	
2	T7W E89 310	CONTROLLER BOARD	1	1	1	1	I.B.	
3	R01 E48 246	TERMINAL BLOCK	1	1	1	1	TB5	2P (1,2)
4	R01 E18 246	TERMINAL BLOCK	1	1	1	1	TB4	3P (S1, S2, S3)
5	R01 E14 239	FUSE	1	1	1	1	FUSE	6.3A 250V
6	T7W E05 305	REMOTE CONTROLLER CORD	1	1	1	1		
7	T7W E14 713	REMOTE CONTROLLER	1	1	1	1	R.B	PAR-21MAA
8	T7W E13 714	REMOTE CONTROLLER	1	1	1	1		

**Mr. SLIM**

**mitsubishi electric corporation**

HEAD OFFICE: TOKYO BUILDING, 2-7-3, MARUNOUCHI, CHIYODA-KU, TOKYO 100-8310, JAPAN