

Air-Conditioners Indispensable Optional Parts BRANCH BOX

PAC-MKA50BC

ONLY FOR R410A OUTDOOR UNIT

PAC-MKA30BC

ONLY FOR INDOOR USE



INSTALLATION MANUAL

For safe and correct use, please read this installation manual thoroughly before installing the air-conditioner unit.

FOR INSTALLER

MANUEL D'INSTALLATION

Veillez lire le manuel d'installation en entier avant d'installer ce climatiseur pour éviter tout accident et vous assurer d'une utilisation correcte.

POUR L'INSTALLATEUR

MANUAL DE INSTALACIÓN

Para un uso seguro y correcto, lea detalladamente este manual de instalación antes de montar la unidad de aire acondicionado.

PARA EL INSTALADOR

English

Français

Español

Contents

1. Safety precautions	2	6. Mounting the Branch Box	7
2. Selecting a location for installation	2	7. Installing refrigerant piping	7
3. Confirming supplied accessories	3	8. Electrical work	9
4. Dimensions and required servicing space of Branch Box	3	9. Test run	13
5. Refrigerant piping	6		

This installation manual is only for the branch box installation. In installing the indoor units and outdoor units, refer to the installation manual attached to each unit.

1. Safety precautions

- ▶ Before installing the unit, make sure you read all the “Safety precautions”.
- ▶ Please report to or take consent by the supply authority before connection to the system.

⚠ Warning:

Describes precautions that must be observed to prevent danger of injury or death to the user.

⚠ Caution:

Describes precautions that must be observed to prevent damage to the unit.

⚠ Warning:

- Ask a dealer or an authorized technician to install the unit.
- For installation work, follow the instructions in the Installation Manual and use tools and pipe components specifically made for use with refrigerant specified in the outdoor unit installation manual.
- The unit must be installed according to the instructions in order to minimize the risk of damage from earthquakes, typhoons, or strong winds. An incorrectly installed unit may fall down and cause damage or injuries.
- The unit must be securely installed on a structure that can sustain its weight.
- If the air conditioner is installed in a small room, measures must be taken to prevent the refrigerant concentration in the room from exceeding the safety limit in the event of refrigerant leakage. Should the refrigerant leak and cause the concentration limit to be exceeded, hazards due to lack of oxygen in the room may result.
- Ventilate the room if refrigerant leaks during operation. If refrigerant comes into contact with a flame, poisonous gases will be released.
- All electric work must be performed by a qualified technician according to local regulations and the instructions given in this manual.
- Use only specified cables for wiring.
- The terminal block cover panel of the unit must be firmly attached.
- Use only accessories authorized by Mitsubishi Electric and ask a dealer or an authorized technician to install them.
- The user should never attempt to repair the unit or transfer it to another location.
- After installation has been completed, check for refrigerant leaks. If refrigerant leaks into the room and comes into contact with the flame of a heater or portable cooking range, poisonous gases will be released.
- Be sure to connect the power supply cords and the connecting wires for the indoor units, outdoor units, and branch boxes directly to the units (no intermediate connections).
Intermediate connections can lead to communication errors if water enters the cords or wires and causes insufficient insulation to ground or a poor electrical contact at the intermediate connection point.
(If an intermediate connection is necessary, be sure to take measures to prevent water from entering the cords and wires.)

After installation work has been completed, explain the “Safety Precautions,” use, and maintenance of the unit to the customer according to the information in the Operation Manual and perform the test run to ensure normal operation. Both the Installation Manual and Operation Manual must be given to the user for keeping. These manuals must be passed on to subsequent users.

⚡ : Indicates a part which must be grounded.

⚠ Warning:

Carefully read the labels affixed to the main unit.

⚠ Caution:

- Make sure that the refrigerant pipes are well insulated to prevent condensation.
Incomplete insulation may cause condensation on the surface of pipes, wetting of the ceiling, floor and other important properties.
- Do not use the unit in an unusual environment. If the air conditioner is installed in areas exposed to steam, volatile oil (including machine oil), or sulfuric gas, areas exposed to high salt content such as the seaside, the performance can be significantly reduced and the internal parts can be damaged.
- Do not install the unit where combustible gases may leak, be produced, flow, or accumulate. If combustible gas accumulates around the unit, fire or explosion may result.
- When installing the unit in a hospital or communications office, be prepared for noise and electronic interference. Inverters, home appliances, high-frequency medical equipment, and radio communications equipment can cause the air conditioner to malfunction or breakdown. The air conditioner may also affect medical equipment, disturbing medical care, and communications equipment, harming the screen display quality.
- Thermal insulation of the refrigerant pipe is necessary to prevent condensation. If the refrigerant pipe is not properly insulated, condensation will be formed.
- Place thermal insulation on the pipes to prevent condensation. If the drain-pipe is installed incorrectly, water leakage and damage to the ceiling, floor, furniture, or other possessions may result.
- Do not clean the air conditioner unit with water. Electric shock may result.
- Tighten all flare nuts to specification using a torque wrench. If tightened too much, the flare nut can break after an extended period.
- Do not turn off the breaker of M-NET Branch Box when installing the unit below -4°F, otherwise it may result in communication failure.

2. Selecting a location for installation

* The branch box is only indoor use.

- Ensure that the branch box is installed in a location which facilitates servicing and maintenance. (ensure that the required maintenance hole or service space is available).
- Do not install near bedrooms. The sound of refrigerant flowing through the piping may sometimes be audible.
- Ensure that it is located where noise in operation will not be a problem. After power is supplied or after an operation stop for a while, a small clicking noise may be heard from the inside of the branch box. The electronic expansion valve is opening and closing. The unit is not faulty.
- Determine the route of refrigerant piping, and electrical wiring beforehand.

- Ensure that the location of the installation is such that the length of refrigerant piping is within the specified limits.

• Do not install in location that is hot or humid for long periods of time.

- Ensure that the branch box is installed above the ceiling of corridor, bath room, etc., where persons are not regularly there (Avoid installing at around center of the room.) for maintenance.
- * Ensure that the unit is installed in a location able to support its weight.

⚠ Warning:

Ensure that the unit is installed firmly in a location able to support its weight. If the installation is of insufficient strength the unit may fall, resulting in injury.

3. Confirming supplied accessories

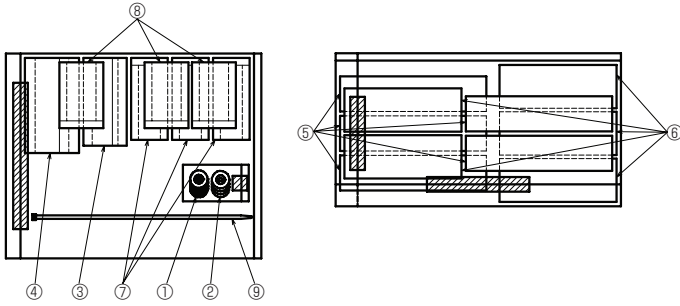


Fig. 3-1

3.1. Check the Branch Box accessories and parts

	Accessory name	Q'ty		
		PAC-MKA30BC	PAC-MKA50BC	
①	Washer (with insulation)	4	4	
②	Washer	4	4	
③	Pipe cover (Liquid)	1	1	TO OUTDOOR UNIT
④	Pipe cover (Gas)	1	1	TO OUTDOOR UNIT
⑤	Pipe cover (Liquid)	3	5	TO INDOOR UNITS
⑥	Pipe cover (Gas)	3	5	TO INDOOR UNITS
⑦	Joint cover (Liquid)	1	3	
⑧	Joint cover (Gas)	1	3	
⑨	Band	16	24	
⑩	Conduit plate	1	1	Fastened to the main body and shipped.

4. Dimensions and required servicing space of Branch Box

Optional different-diameter (deformed) joints

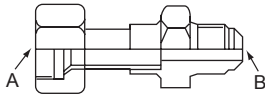


Fig. 4-1

Model name	Connected pipes diameter	Diameter A	Diameter B
	inch, mm	inch, mm	inch, mm
MAC-A454JP	3/8, ø9.52 → 1/2, ø12.7	3/8, ø9.52	1/2, ø12.7
MAC-A455JP	1/2, ø12.7 → 3/8, ø9.52	1/2, ø12.7	3/8, ø9.52
MAC-A456JP	1/2, ø12.7 → 5/8, ø15.88	1/2, ø12.7	5/8, ø15.88
PAC-493PI	1/4, ø6.35 → 3/8, ø9.52	1/4, ø6.35	3/8, ø9.52
PAC-SG76RJ-E	3/8, ø9.52 → 5/8, ø15.88	3/8, ø9.52	5/8, ø15.88

- * Please connect 2 indoor units or more with 1 system.
- * Up to 2 branch boxes may be connected to 1 outdoor unit.
- * Suspension bolt : W3/8 (M10)
- * Refrigerant pipe flared connection

* The piping connection size differs according to the type and capacity of indoor units. Match the piping connection size for indoor unit and branch box. If the piping connection size of branch box does not match the piping connection size of indoor unit, use optional different-diameter (deformed) joints to the branch box side. (Connect deformed joint directly to the branch box side.)

- Ⓐ Suspension bolt pitch
- Ⓑ To indoor unit
- Ⓒ To outdoor unit
- Ⓓ Service panel (for LEV, THERMISTOR)
- Ⓔ Electric cover
- Ⓕ Conduit plate
- Ⓖ Terminal block (to indoor unit on control board)
- Ⓗ Terminal block (to outdoor unit)
- Ⓙ Terminal block (for communication cable)

* Ensure that the branch box is installed as shown on the below drawing.

■ PAC-MKA50BC (5-branches type)

(inch)

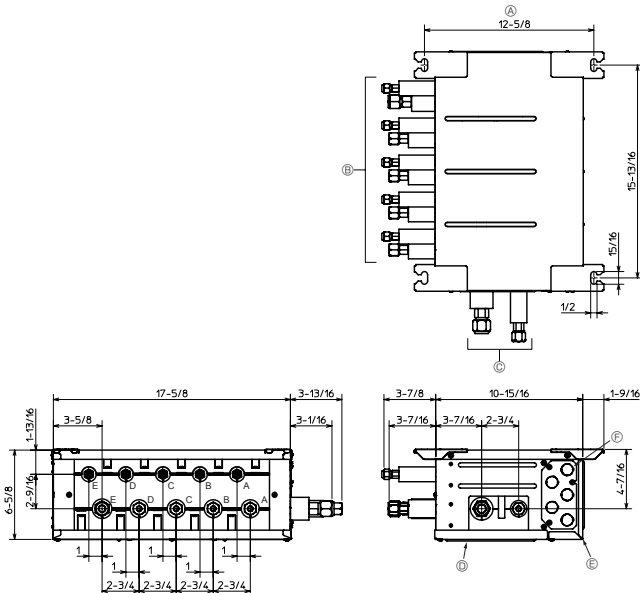


Fig. 4-2

■ PAC-MKA50BC (Fig.4-2)

Suspension bolt: W3/8 (M10)

Refrigerant pipe flared connection

	inch, mm					
	A	B	C	D	E	To outdoor unit
Liquid pipe	1/4, ø6.35	1/4, ø6.35	1/4, ø6.35	1/4, ø6.35	1/4, ø6.35	3/8, ø9.52
Gas pipe	3/8, ø9.52	3/8, ø9.52	3/8, ø9.52	3/8, ø9.52	1/2, ø12.7	5/8, ø15.88

Conversion formula

1/4 F	ø6.35
3/8 F	ø9.52
1/2 F	ø12.7
5/8 F	ø15.88
3/4 F	ø19.05

4. Dimensions and required servicing space of Branch Box

■ PAC-MKA30BC (3-branches type)

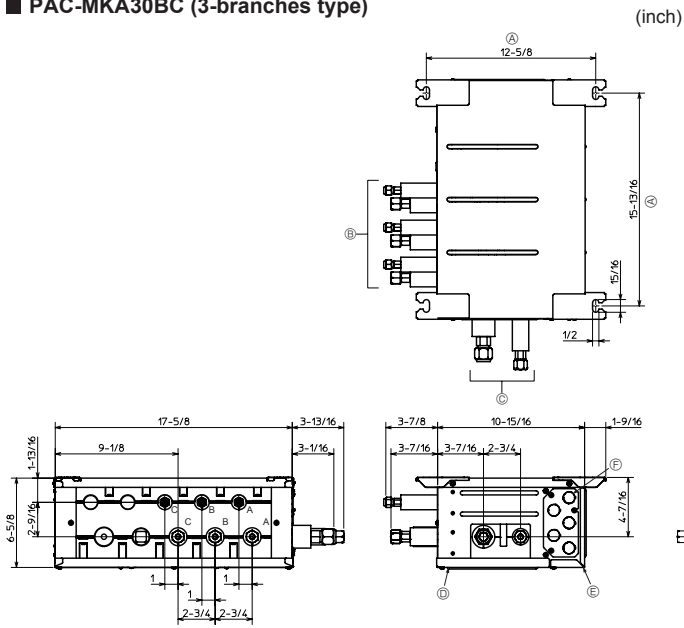


Fig. 4-3

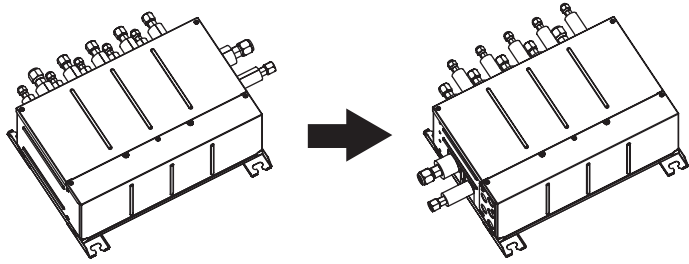
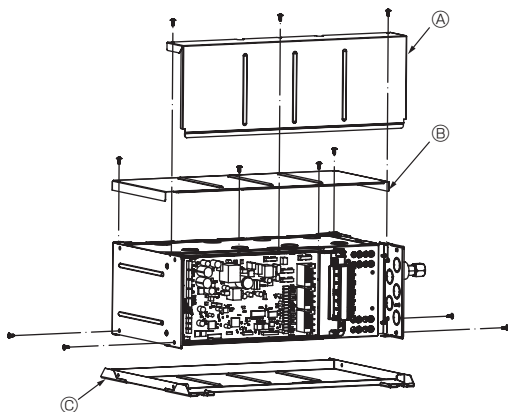


Fig. 4-4

② Remove the electric cover, service panel, and top panel.

- Ⓐ Electric cover
- Ⓑ Service panel
- Ⓒ Top panel



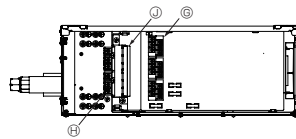
■ PAC-MKA30BC (Fig.4-3)

Suspension bolt: W3/8 (M10)

Refrigerant pipe flared connection

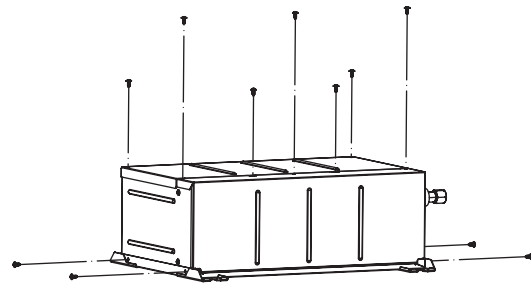
inch, mm

	A	B	C	To outdoor unit
Liquid pipe	1/4, ø6.35	1/4, ø6.35	1/4, ø6.35	3/8, ø9.52
Gas pipe	3/8, ø9.52	3/8, ø9.52	3/8, ø9.52	5/8, ø15.88



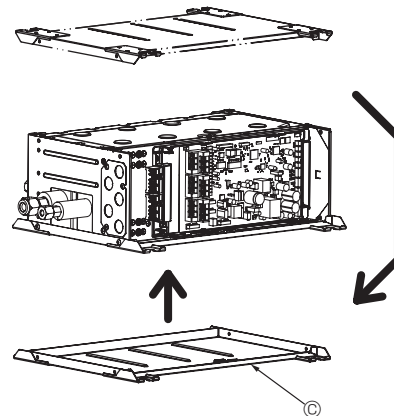
4.1. The direction of the piping can be changed. (Fig. 4-4). [Work Procedures] (Fig. 4-5)

① Remove the screws in each part.



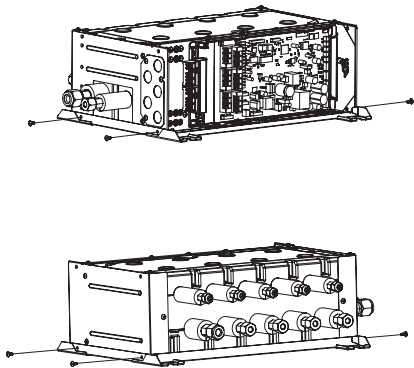
③ Install the top panel on the opposite surface.

- Ⓒ Top panel



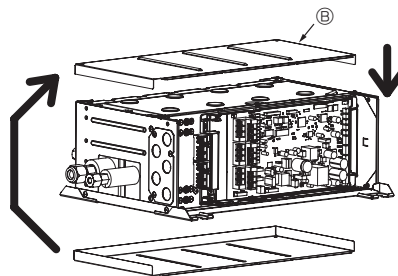
4. Dimensions and required servicing space of Branch Box

④ Fasten the screws in each part.

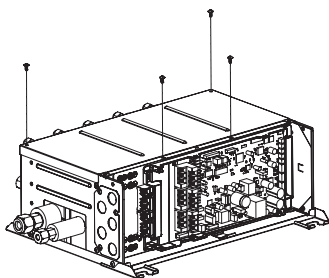


⑤ Install the service panel on the opposite surface.

ⓑ Service panel

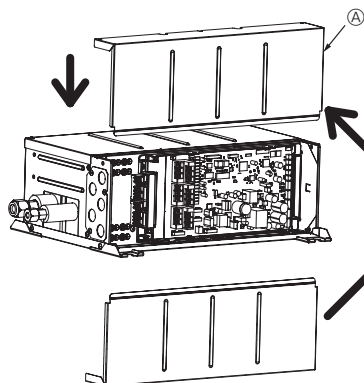


⑥ Fasten the screws.



⑦ Install the electric cover on the opposite surface.

Ⓐ Electric cover



⑧ Fasten the screws.

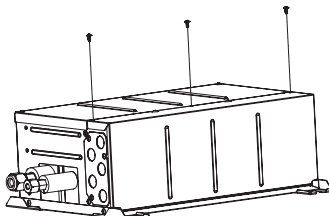


Fig. 4-5

4. Dimensions and required servicing space of Branch Box

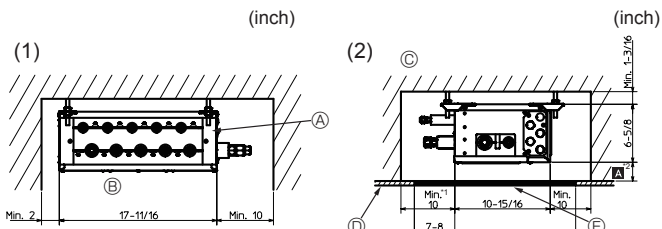


Fig. 4-6

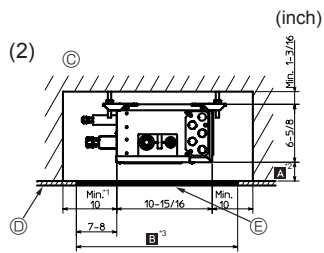


Fig. 4-7

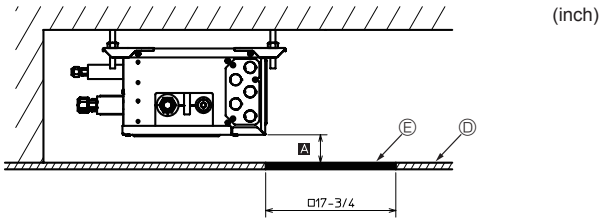


Fig. 4-8

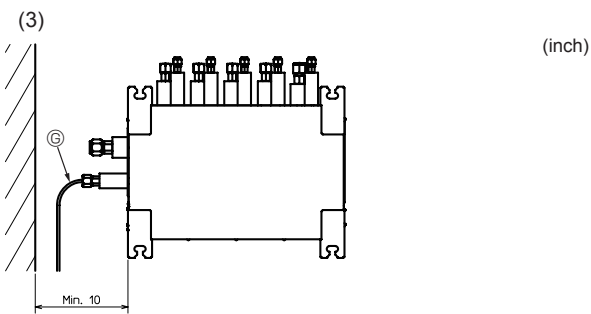


Fig. 4-9

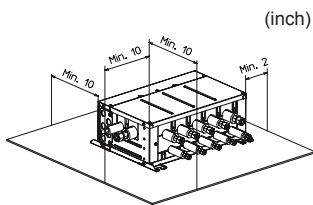


Fig. 4-10

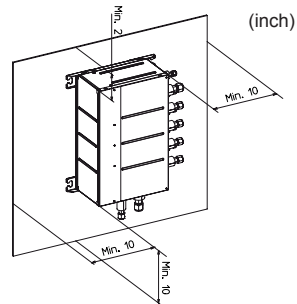


Fig. 4-11

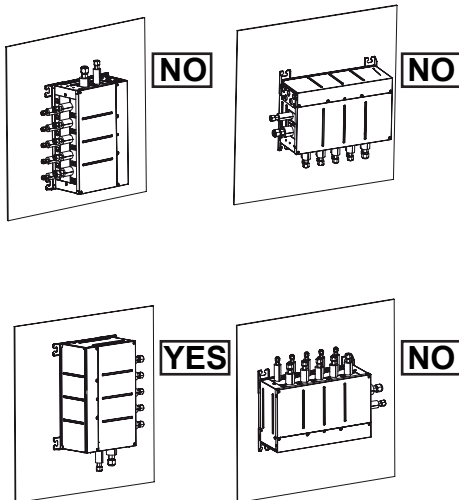


Fig. 4-12

4.2. Space required for installation and servicing

I. The space when installing with the suspension bolts.

(1) Front View (Fig. 4-6)

- Ⓐ Branch box
- Ⓑ On the side of piping

(2) Side View (Fig. 4-7, Fig. 4-8)

- Ⓒ For indoor installations
- Ⓓ Ceiling board
- Ⓔ Maintenance hole

*1: Minimum 13-3/4 inch (350 mm) is required for 90° bends in refrigerant piping.

***2: Ⓐ is "Min. 7-7/8 inch (200 mm)" <recommendation>.**
(Premise: The slope of drain piping is securable 1/100 or more. Required 7-7/8 inch (200 mm) or more, when not securable.)

In the case of less than 7-7/8 inch (200 mm) (for example Ⓐ is 4 inch (100 mm)), the exchange work of Branch box from a maintenance hole becomes difficult (Only exchange work of a PCB, linear expansion valve coils and sensors are possible).

***3: Ⓑ is "□ 23 - 5/8 inch (600 mm)" <recommendation>.**

In the case of "□ 17-3/4 inch (450 mm)", prepare a maintenance hole at a PCB side (as it is shown in Fig. 4-8), and "Min. 11-13/16 inch (300 mm)" is needed as distance Ⓐ.

In the case of less than 11-13/16 inch (300 mm) (for example Ⓐ is 4 inch (100 mm)), the exchange work of Branch box, linear expansion valve coils and sensors from a maintenance hole becomes difficult (Only exchange work of a PCB is possible).

(3) Top View (Fig. 4-9)

- Ⓒ Refrigerant piping

II. The space when installing on the floor. (Fig. 4-10)

III. The space when installing on a wall. (Fig. 4-11)

The installation direction is limited when installing on a wall. (Fig. 4-12)

When installing the unit on the wall, install the piping connected to the outdoor unit facing down. Other ways are not acceptable.

5. Refrigerant piping

* Always follow the specifications written in the installation manual of the outdoor unit. Exceeding these requirements may cause reduced performance of the equipment, and malfunctions.

6. Mounting the Branch Box

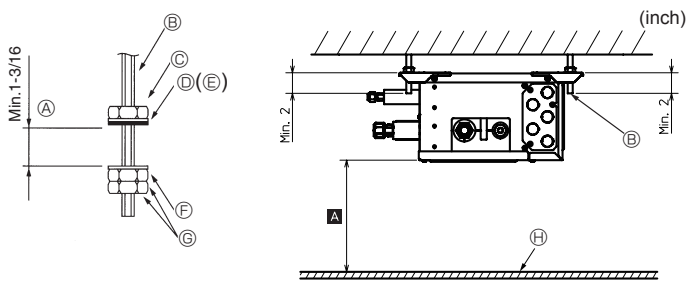


Fig. 6-1

- (1) Install the suspension bolts (procure locally) at the specified pitch (Fig. 4-2, 4-3).
 - (2) Fit the washers and nuts (①, ②, procure locally) to the suspension bolts.
(Fig. 6-1)
 - (3) Hang the unit on the suspension bolts.
 - (4) Fully tighten the nuts (check ceiling height).
 - (5) Use a level to adjust the branch box to the horizontal.
- A When unit is hung and nuts tightened
 B Suspension bolt
 C Nuts
 D Washer (with cushion) ①
 E Ensure that cushion faces downwards
 F Washer (without cushion) ②
 G Nut (procure locally)
 H Ceiling board

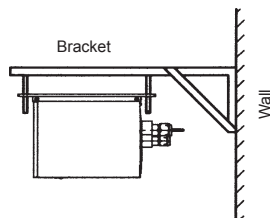


Fig. 6-2

* Purchase an appropriate bracket locally if the unit is to be mounted on a wall.

7. Installing refrigerant piping

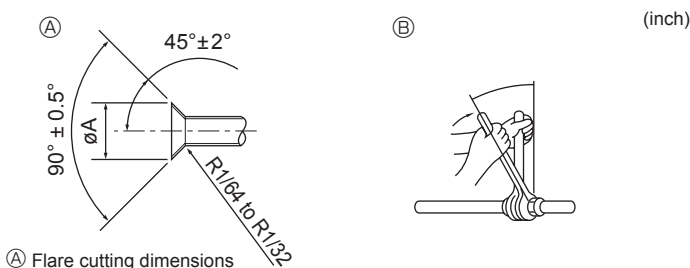


Fig. 7-1

- ▶ Connect the liquid and gas pipes of each indoor unit to the same end connection numbers as indicated on the indoor unit flare connection section of each Branch Box. If connected to wrong end connection numbers, it doesn't work normally.
- ▶ When connecting indoor units, make sure to connect refrigerant pipes and connection wires to the appropriate connection ports marked with matching alphabets. (Ex. A, B, C, D, E)

Note:

- Be sure to mark all the local refrigerant piping (liquid pipes, gas pipes, etc.) for each indoor unit designating clearly which room it belongs in. (Ex. A, B, C, D, E)
- ▶ List indoor unit model names in the name plate on the control box of Branch Box (for identification purposes).

- Conduct sufficient anti-condensation and insulation work to prevent water dripping from the refrigerant piping. (liquid pipe/gas pipe)
- Increase insulation depending on the environment where the refrigerant piping is installed, or condensation may occur on the surface of the insulation material. (Insulation material Heat-resistant temperature: 120 °C [248 °F], Thickness: 15 mm [19/32 inch] or more)
- * When the refrigerant piping is used in locations subject to high temperature and humidity such as in the attic, further addition of insulation may be required.

- To insulate the refrigerant piping, apply heat-resistant polyethylene foam between the indoor unit and insulation material as well as to the net between the insulation material filling all gaps. (Condensation forming on the piping may result in condensation in the room or burns when contacting the piping.)

- ▶ When using commercially available refrigerant piping, ensure that both liquid and gas piping are wrapped with commercially available thermal insulation materials (insulation materials at least 1/2 inch (12 mm) thick and able to withstand temperatures in excess of 212 °F, 100 °C).
- ▶ Refer to the installation manual of the outdoor unit when creating a vacuum and opening or closing valves.

- (1) Remove the flared nuts and caps from the branch box.
- (2) Flare the ends of the liquid and gas piping, and apply refrigeration oil (procure locally) to the flared seat.
Do not apply oil to the threaded portion.
- (3) Connect the refrigerant piping immediately. Always tighten the flared nuts to the torque specified in the table 2 using a torque wrench and double spanner.
- (4) Press the pipe covers ③ and ⑤ on the liquid piping against the unit and wrap to hold in place. (Fig. 7-3)
- (5) Press the pipe covers ④ and ⑥ on the gas piping against the unit and wrap to hold in place. (Fig. 7-3)
- (6) Apply the supplied bands ⑨ at a position 7/16-13/16 inch (10 - 20 mm) from each end of the pipe covers (③④⑤⑥).
- (7) If the indoor unit is not connected, fit the supplied pipe covers (with caps, ⑦ and ⑧) to the branch box refrigerant piping connections against the unit to prevent condensation dripping from the pipes. (Fig. 7-4)
- (8) Clamp the pipe covers (⑦⑧) in place with the supplied bands ⑩.

① Flare cutting dimensions

Table 1 (mm (inch))

Copper pipe O.D.	Flare dimensions øA dimensions
ø6.35 (1/4)	8.7-9.1 (11/32-23/64)
ø9.52 (3/8)	12.8-13.2 (1/2-33/64)
ø12.7 (1/2)	16.2-16.6 (41/64-21/32)
ø15.88 (5/8)	19.3-19.7 (49/64-25/32)

② Flare nut tightening torque

Table 2

Copper pipe O.D. (mm (inch))	Flare nut O.D. (mm (inch))	Tightening torque (N·m (ft·lbs))
ø6.35 (1/4)	17 (43/64)	14-18 (10-13)
ø6.35 (1/4)	22 (7/8)	34-42 (25-30)
ø9.52 (3/8)	22 (7/8)	34-42 (25-30)
ø12.7 (1/2)	26 (1-3/64)	49-61 (35-44)
ø12.7 (1/2)	29 (1-9/64)	68-82 (49-59)
ø15.88 (5/8)	29 (1-9/64)	68-82 (49-59)
ø15.88 (5/8)	36 (1-27/64)	100-120 (71-87)

7. Installing refrigerant piping

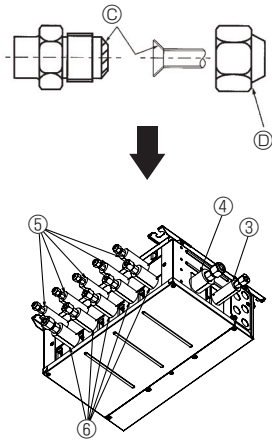


Fig. 7-2

⚠ Caution:

Tighten the flare nut with a torque wrench in the specified method. Overtightening will cause the flare nut to crack and it will cause refrigerant leakage over a period of time.

- Ⓒ Apply refrigeration oil to the entire (Fig. 7-2) surface of the flared seat.
- Ⓓ Basically use flared nuts fitted to the body (commercially available flared nuts may crack).

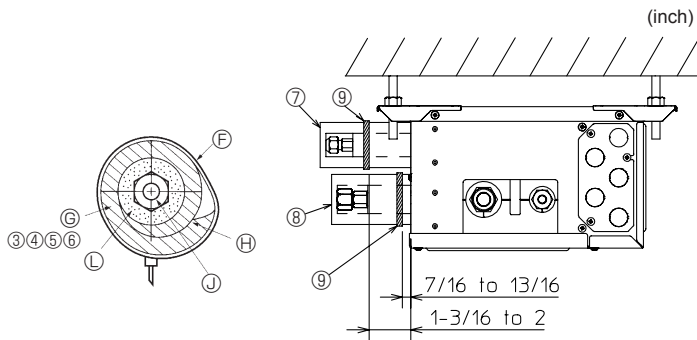


Fig. 7-3

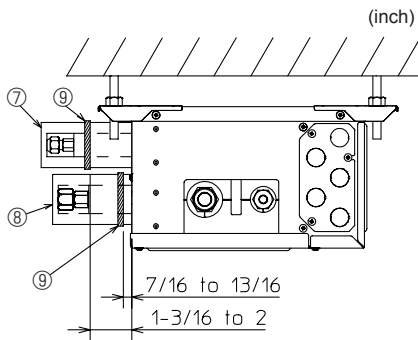


Fig. 7-4

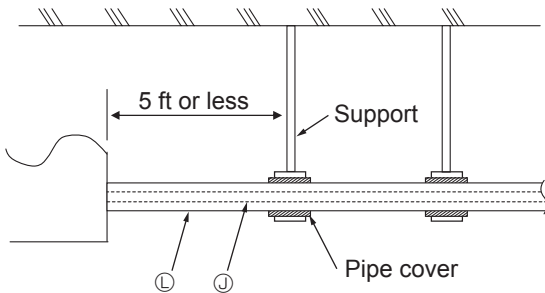


Fig. 7-5

Note:

A special flare nut (optional or attached to the indoor unit) is needed to some indoor units. Please refer to the installation manual of outdoor unit and indoor unit for details.

- Ⓕ Band ⑨
- Ⓖ Pipe covers ③④⑤⑥
- Ⓗ Tighten
- Ⓙ Refrigerant piping
- Ⓛ Thermal insulation for refrigerant piping

► Use the following procedures for indoor connection part which indoor unit is not connected. (Fig. 7-4)

- (1) In order to prevent refrigerant leaks, make sure that the flare nuts are tightened according to the specified torques* in Table 3.
* Refrigerant may also leak if the flare nuts are tightened more than the specified torques.
- (2) In order to prevent condensation, install the pipe covers ⑦ ⑧ against the unit and fasten them with the supplied bands ⑨ .

Table 3

Diameters of branch box openings for connecting indoor units (inch, mm)	Tightening torque (ft•lbs, N•m)
1/4, $\phi 6.35$	8-11, 13 ± 2
3/8, $\phi 9.52$	21-24, 30 ± 2
1/2, $\phi 12.7$	35-38, 50 ± 2

► **Refrigerant charge:**

Refer to the installation manual of the outdoor unit.
Use only R410A refrigerant (use of other refrigerants may cause troubles).

⚠ Caution:

To avoid excessive strain on the branch box, support the piping with one or more support(s) 5 ft or less from the branch box.

Refer to Fig. 7-5 as an example.

- Ⓙ Refrigerant piping
- Ⓛ Thermal insulation for refrigerant piping

8. Electrical work

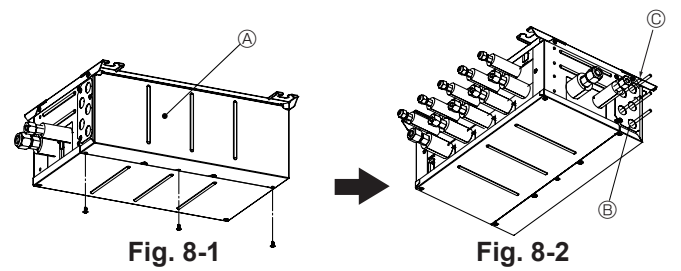
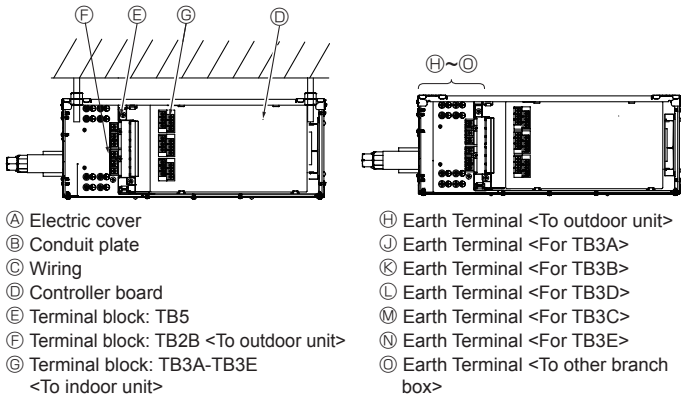


Fig. 8-1

Fig. 8-2



- Ⓐ Electric cover
- Ⓑ Conduit plate
- Ⓒ Wiring
- Ⓓ Controller board
- Ⓔ Terminal block: TB5
- Ⓕ Terminal block: TB2B <To outdoor unit>
- Ⓖ Terminal block: TB3A-TB3E <To indoor unit>

Fig. 8-3

- Ⓗ Earth Terminal <To outdoor unit>
- Ⓘ Earth Terminal <For TB3A>
- Ⓚ Earth Terminal <For TB3B>
- Ⓛ Earth Terminal <For TB3D>
- Ⓜ Earth Terminal <For TB3C>
- Ⓝ Earth Terminal <For TB3E>
- Ⓞ Earth Terminal <To other branch box>

Fig. 8-4

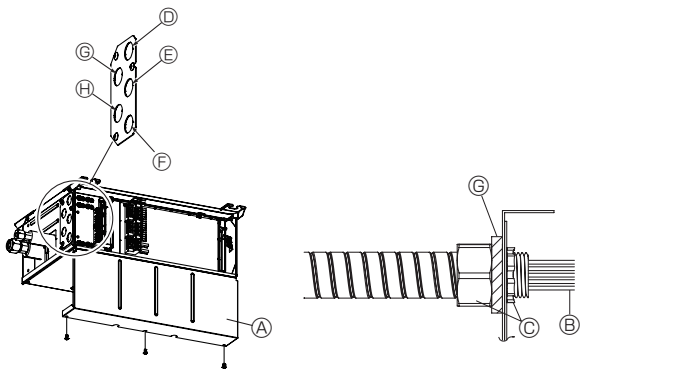


Fig. 8-5

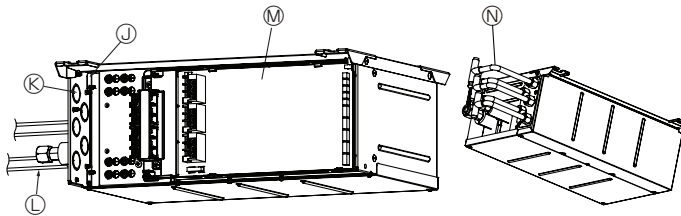


Fig. 8-6

Fig. 8-7

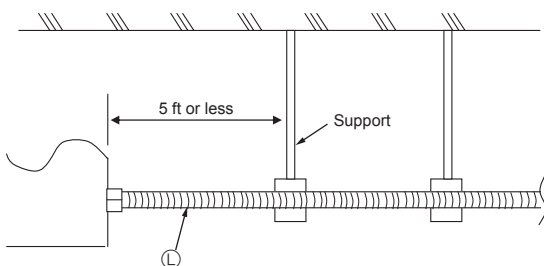


Fig. 8-8

► Cautions for electrical work.

⚠ Warning:

- Always use dedicated circuits with breakers, and at the rated voltage. Power supply circuits with insufficient capacity, and bad workmanship during installation, may result in electric shock or fire.

⚠ Caution:

- Be sure to establish an earth. Do not earth the unit to a utility pipe, arrester, or telephone earth. Incomplete earth may cause electrical shock. A high surge current from lightning or other sources may cause damage to the air conditioner.
- Use the specified electrical wiring and ensure that it is connected properly, and that it is not under tension. Failure to follow these requirements may result in broken wiring, heating, or fire.
- Before turning Branch Box on, be sure to set the switches.
- To turn the power on, turn on the Branch Box then the outdoor unit, in that order.
(In case power supplies for Branch Box and outdoor unit are separated)
- Wiring connecting branch box and outdoor unit, and branch box and indoor units, functions as both power supply and signal cable. Connect this wiring in accordance with the terminal block numbers to ensure correct polarity.
- Ensure that the appropriate refrigerant piping and electrical wiring are connected to each indoor unit. Incorrect wiring will interfere with the correct operation of the unit.

► Connect refrigerant pipes and connection wires to the appropriate ports marked with matching alphabets (Ex. A, B, C, D, E) on this unit.

- First, connect the power supply cable from the outdoor unit.
- Always fix each ground wire separately with a ground screw.
- To prevent that wiring installed in the ceiling is chewed by rats etc., it should be installed in wiring conduit.
 1. Remove the electric cover. (Fig. 8-1)
 2. Remove the conduit cover.
 3. Pass the wiring into the branch box through the conduit plate and fix with the conduit plate. (Refer to 8.1)
 4. Firmly connect each wire to the appropriate terminal block. (Fig. 8-9)
 5. Set dip sw. (Refer to 8.3)
 6. Replace the electric cover.

8.1. When using wiring conduit (Fig. 8-5,6,7)

Replace the horizontal cover when the wiring conduit has been fixed in place.

- Ⓐ Electric cover
- Ⓑ Wiring
- Ⓒ Nut 1/2" (procure locally)
- Ⓓ Wiring conduit (For TB3A, TB3B)
- Ⓔ Wiring conduit (For TB3C, TB3D)
- Ⓕ Wiring conduit (For TB3E)
- Ⓖ Wiring conduit (For TB2B)
- Ⓗ Wiring conduit (For TB5B)
- Ⓙ Conduit plate ⑩
- Ⓚ Conduit hole
- Ⓛ Conduit pipe
- Ⓜ Controller board
- Ⓝ 2-branch wiring conduit (procure locally)

⚠ Caution:

- When installing the conduit plate ⑩, cut out only the knockout holes that are necessary for wiring ⑦.
Cutting out unnecessary knockout holes may cause damage due to the invasion of small creatures and the like.
- When cutting out the knockout holes on the conduit plate, beware that neither deformation nor distortion occurs on the plate.
Also, when installing the conduit plate, beware that no gap exists between the plate and the conduit pipes or the conduit holes, otherwise it may cause failure of the controller board due to the invasion of small creatures or insects. (Fig. 8-6)

- To divide the wirings of each terminal block into 2 branches outside the branch box, use 2-branch wiring conduits ⑮. (Fig. 8-7)

⚠ Caution:

- To avoid excessive strain on the branch box, support the conduit pipe ⑬ with one or more support(s) 5 ft or less from the branch box. Refer to Fig. 8-8 as an example.

8. Electrical work

Supply power separately to branch box and outdoor unit

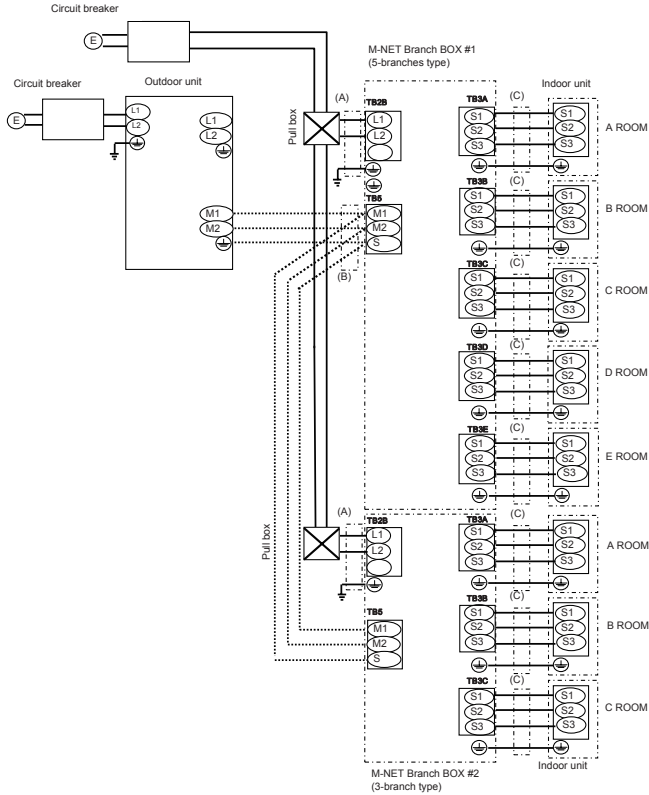
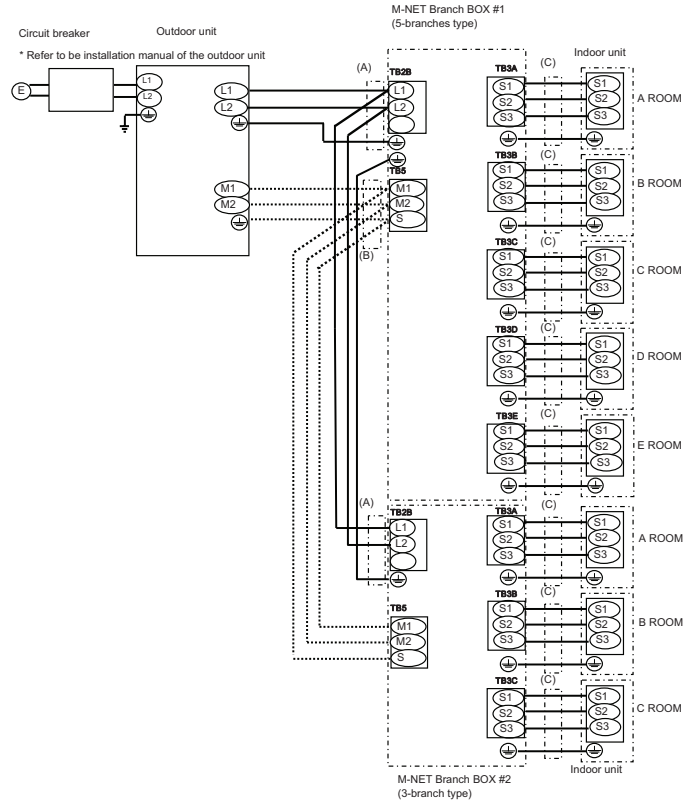


Fig. 8-9

8.2. External wiring procedure (Fig. 8-9, Fig 8-10)

Power supply from Outdoor unit



Ⓔ Power supply: Single phase 208 /230V, 60 Hz

Note:

- Connect the lines (B), (C) in accordance with the terminal block names to ensure correct polarity.
- As for lines (C), S1 and S2 are for connecting the power source. And S2 and S3 are for signals. S2 is common cable for the power source and signal.

Wire diameter		
(A) Main power line/ Earth line	(B) M-NET cable Shielding wire CVVS or CPEVS	(C) Signal line/ Earth line
2.1 mm ² (AWG14)	1.25 mm ² (AWG16) Less Than 200 m	1.25 mm ² (AWG16) Less Than 25 m

When using twisted wire for the wiring, the use of round terminal is required.

Notes: 1. Wiring size must comply with the applicable local and national code.

- Power supply cords and indoor unit/branch box/outdoor unit connecting cords shall not be lighter than polychloroprene sheathed flexible cord. (Design 60245 IEC 57)
- Install an earth line longer than power cables.
- Do not bundle the M-NET cable with the connection cable and power supply cable. It may cause erroneous operation.

Warning:

Never splice the cable, otherwise it may result in a smoke, a fire or communication failure.

M-NET Branch BOX (5-branches type)

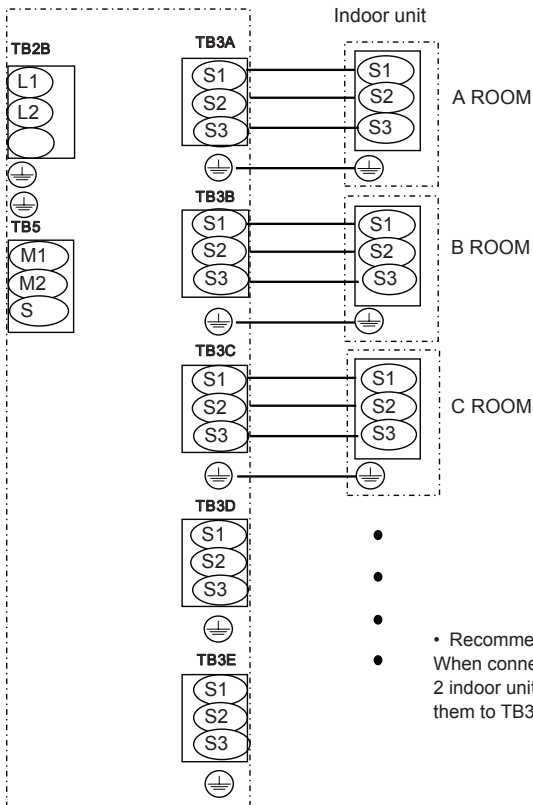


Fig. 8-10

Recommended Connection Method

When connecting one indoor unit to the branch box, connect it to TB3A. When connecting 2 indoor units, connect them to TB3A and TB3B. When connecting 3 indoor units, connect them to TB3A, TB3B, and TB3C. Connect indoor units in the order of A→B→C→D→E.

8. Electrical work

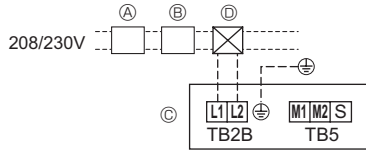


Fig. 8-11

■ Power supply wiring (Supply power separately to branch box and outdoor unit)

- Install an earth line longer than other cables.
- Power supply cords of appliance shall not be lighter than design 245IEC57 or 227IEC57, 245 IEC 53 or 227 IEC 53.
- A switch with at least 3 mm, 1/8 inch contact separation in each pole shall be provided by the air conditioner installation.

[Fig. 8-11]

- Ⓐ Ground-fault interrupter
- Ⓑ Local switch/Wiring breaker
- Ⓒ Branch Box
- Ⓓ Pull box

Total operating current of the indoor unit	Minimum wire thickness (mm ² /AWG)					Breaker for wiring (NFB)	Ground-fault interrupter *1
	Main cable	Branch	Ground	Capacity	Fuse		
F0 = 15A or less *2	2.1/14	2.1/14	2.1/14	15	15	15	15A current sensitivity *3
F0 = 20A or less *2	3.3/12	3.3/12	3.3/12	20	20	20	20A current sensitivity *3
F0 = 30A or less *2	5.3/10	5.3/10	5.3/10	30	30	30	30A current sensitivity *3

Apply to IEC61000-3-3 about max. permissive system impedance.

*1 The Ground-fault interrupter should support inverter circuit.

The Ground-fault interrupter should combine using of local switch or wiring breaker.

*2 Please take the larger of F1 or F2 as the value for F0.

F1 = Total operating maximum current of the indoor units × 1.2

F2 = (V1/C)

Indoor unit	V1	V2
Type 1 SEZ-KD•NA, PLA-A•BA	19.8	2.4
Type 2 PEAD-A•AA, MVZ-A•AA	26.9	
Type 3 MSZ-FE•NA	9.9	
Type 4 MSZ-FH•NA, MSZ-GE•NA	6.8	
Type 5 SLZ-KA•NA	3.5	
Type 6 MFZ-KA•NA	16.2	
Type 7 Branch box (PAC-MKA•BC)	5.1	

C : Multiple of tripping current at tripping time 0.01s

Please pick up "C" from the tripping characteristic of the breaker.

*Condition Branch Box × 2 + SEZ-KD•NA × 5, C=8 (refer to right sample chart)

F2 = 5.1 × 2/8 + 19.8 × 5/8

= 14.9

→ 16A breaker (Tripping current = 8 × 16A at 0.01s)

*3 Current sensitivity is calculated using the following formula.

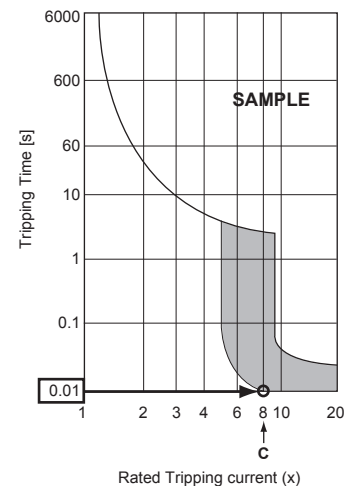
G1 = V2 + V3 × (Wire length[km])

G1	Current sensitivity
30 or less	30 mA 0.1sec or less
100 or less	100 mA 0.1sec or less

Wire thickness (mm ² /AWG)	V3
2.1/14	48
3.3/12	56
5.3/10	66

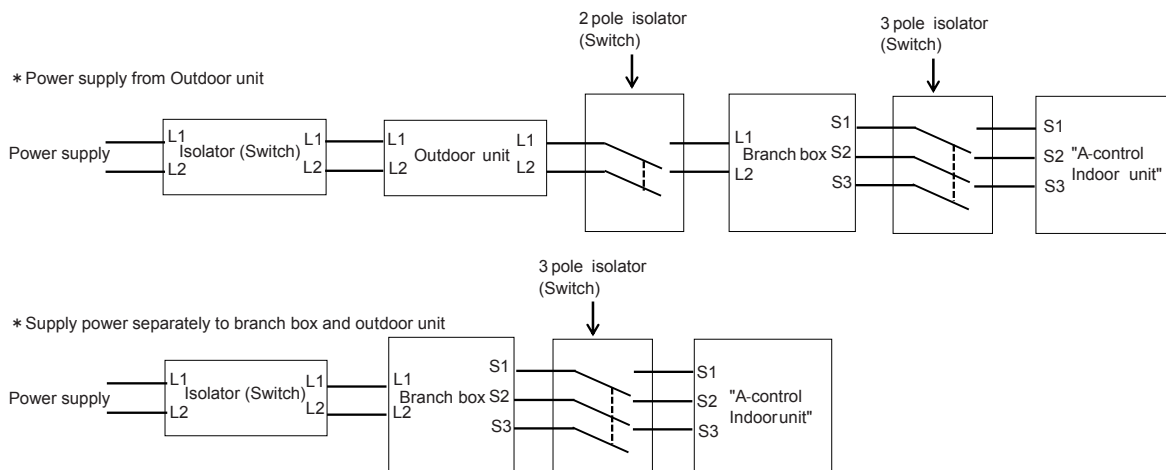
	V2
Indoor unit	2.4
Branch Box	3.0

Sample chart



⚠ Warning:

In case of A-control wiring, there is high voltage potential on the S3 terminal caused by electrical circuit design that has no electrical insulation between power line and communication signal line. Therefore, please turn off the main power supply when servicing. And do not touch the S1, S2, S3 terminals when the power is energized. If isolator should be used between outdoor unit and branch box/indoor unit and branch box, please use 3-pole type.

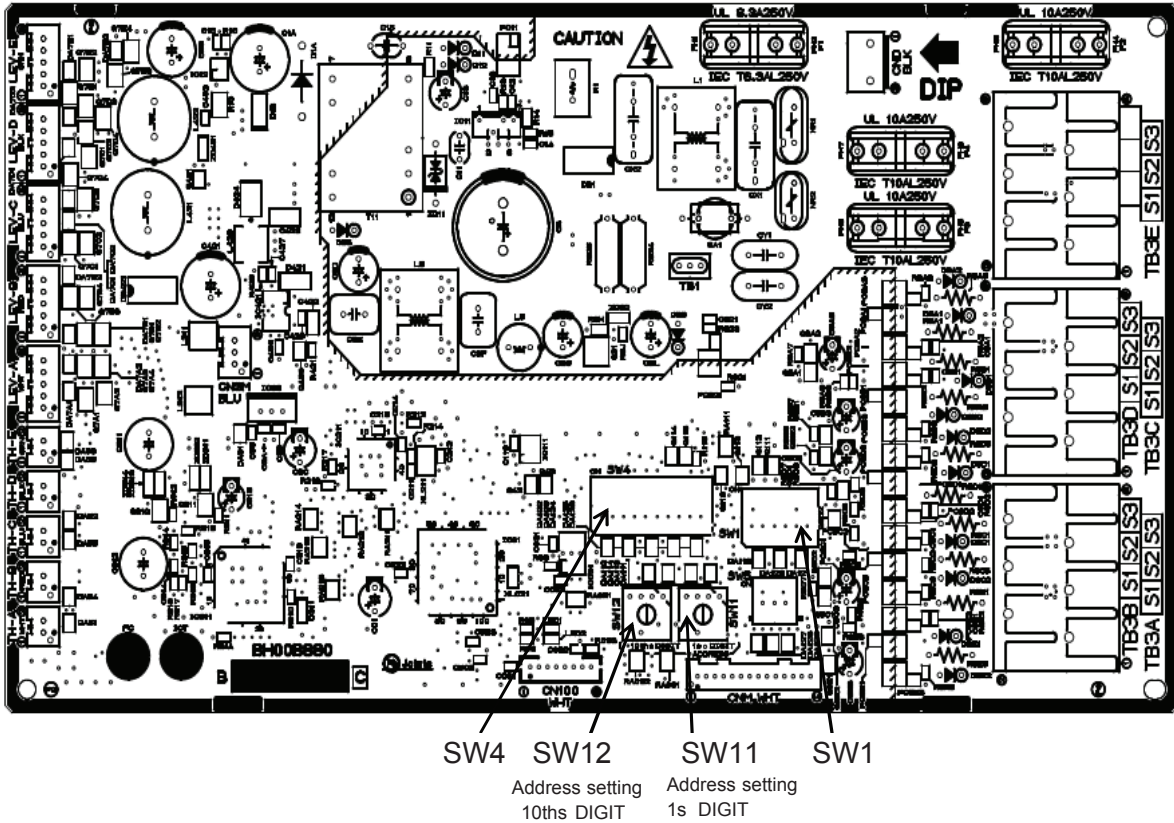


⚠ Caution:

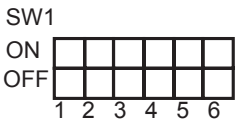
After using the isolator, be sure to turn off and on the main power supply to reset the system. Otherwise, the outdoor unit may not be able to detect the branch box(es) or indoor units.

8. Electrical work

8.3. Switch setting



Dip switch setting (Effective only before turning on the power)



Indoor Unit A
Indoor Unit B
Indoor Unit C
Indoor Unit D
Indoor Unit E
Unassigned

Switch	OFF	ON
SW1-1	No	Yes
SW1-2	No	Yes
SW1-3	No	Yes
SW1-4	No	Yes
SW1-5	No	Yes
SW1-6		

Address switch (Effective only before turning on the power)

Actual indoor unit address setting varies in different systems. Refer to the installation manual for the outdoor unit for details on how to make the address setting. Each address is set with a combination of the settings for the 10ths digit and 1s digit.

(Example)

- When setting the address to "3", set the 1s digit to 3, and the 10ths digit to 0.
- When setting the address to "25", set the 1s digit to 5, and the 10ths digit to 2.

(Example)

- When setting the address of the branch BOX to "3", an address is assigned to each indoor unit starting with Unit A as shown below no matter if each indoor unit is connected. (SW1-1~5 ON)

Indoor Unit A Address 3
Indoor Unit B Address 4
Indoor Unit C Address 5
Indoor Unit D Address 6
Indoor Unit E Address 7

- When the address is set to "25" and also 3 indoor units (Unit A, Unit C, and Unit E) are connected. (SW1-1, 1-3, 1-5 ON)

Indoor Unit A Address 25
Indoor Unit C Address 26
Indoor Unit E Address 27

9. Test run

- Refer to the "Test run" section of the installation manual of the indoor units and outdoor unit.
- When the branch box and outdoor power source are separate, turn on the power of the branch box first, and then turn on the outdoor unit power.

• After power is supplied or after an operation stop for a while, a small clicking noise may be heard from the inside of the branch box. The electronic expansion valve is opening and closing. The unit is not faulty.

- Be sure to perform the test run in cooling mode for each indoor unit. Make sure each indoor unit operates properly following the installation manual attached to the unit.
- If you perform the test run for all indoor units at once, you cannot detect any erroneous connection, if any, of the refrigerant pipes and the indoor/outdoor unit connecting wires.
- To check for improper wiring, perform the test run for each indoor unit individually.

⚠ Caution:

- **Use the remote controller to operate the indoor unit.**
- **The following symptoms are not malfunctions.**

Symptom	Cause	Indoor unit LED display *
Indoor unit does not operate even if set to cooling (heating) operation	The cooling (heating) operation cannot be operated when the heating (cooling) operation of another indoor unit is operating.	Stand by (For Multi System)
Indoor unit fan stops during heating operation	The fan stops during defrosting operation.	-
	Fan stops when the refrigerant collecting mode ** is activated.	Stand by (For Multi System)

* See the operation manual of indoor units for details.

** This mode is activated for approximately 1 minute to help avoid an insufficient supply of refrigerant during heating operation when refrigerant is stored in an indoor unit that has been turned off or thermo-off.

Index

1. Consignes de sécurité	14	6. Montage du boîtier de dérivation	19
2. Choix d'un endroit pour l'installation	14	7. Installation des tuyaux de réfrigérant	19
3. Vérification des accessoires fournis	15	8. Installations électriques	21
4. Dimensions et espace requis pour l'entretien du boîtier de dérivation	15	9. Marche d'essai	25
5. Tuyau de réfrigérant	18		

Ce manuel d'installation n'est dédié qu'à l'installation d'un boîtier de dérivation. Se reporter au manuel d'installation propre à chaque appareil lors de l'installation d'appareils intérieurs et extérieurs.

1. Consignes de sécurité

- ▶ Avant d'installer le climatiseur, lire attentivement toutes les "Consignes de sécurité".
- ▶ Veuillez consulter ou obtenir la permission votre compagnie d'électricité avant de connecter votre système.

⚠ Avertissement:

Précautions à suivre pour éviter tout danger de blessure ou de décès de l'utilisateur.

⚠ Précaution:

Décrit les précautions qui doivent être prises pour éviter d'endommager l'appareil.

⚠ Avertissement:

- Contacter un revendeur ou un technicien agréé pour installer l'appareil.
- Pour l'installation, respecter les instructions du manuel d'installation et utiliser des outils et des composants de tuyau spécialement conçus pour une utilisation avec le réfrigérant spécifié dans le manuel d'installation de l'appareil extérieur.
- L'appareil doit être installé conformément aux instructions pour réduire les risques de dommages liés à des tremblements de terre, des typhons ou des vents violents. Une installation incorrecte peut entraîner la chute de l'appareil et provoquer des dommages ou des blessures.
- L'appareil doit être solidement installé sur une structure pouvant supporter son poids.
- Si le climatiseur est installé dans une petite pièce, certaines mesures doivent être prises pour éviter que la concentration de réfrigérant ne dépasse le seuil de sécurité en cas de fuite. En cas de fuite de réfrigérant et de dépassement du seuil de concentration, des risques liés au manque d'oxygène dans la pièce peuvent survenir.
- Aérer la pièce en cas de fuite de réfrigérant lors de l'utilisation. Le contact du réfrigérant avec une flamme peut provoquer des émanations de gaz toxiques.
- Tout travail sur les installations électriques doit être effectué par un technicien qualifié conformément aux réglementations locales et aux instructions fournies dans ce manuel.
- N'utiliser que les câbles spécifiés pour les raccordements.
- Le couvercle du bloc de sortie de l'appareil doit être solidement fixé.
- N'utiliser que les accessoires agréés par Mitsubishi Electric et contacter un revendeur ou un technicien agréé pour les installer.
- L'utilisateur ne doit jamais essayer de réparer ou de déplacer l'appareil.
- Une fois l'installation terminée, vérifier les éventuelles fuites de réfrigérant. Si le réfrigérant fuit dans la pièce et entre en contact avec la flamme d'un chauffage ou d'une cuisinière, des gaz toxiques peuvent se dégager.
- Veiller à relier les cordons d'alimentation et les fils de raccordement des appareils intérieurs, des appareils extérieurs et des boîtiers de dérivation directement sur les appareils (sans raccordement intermédiaire). Les raccordements intermédiaires peuvent engendrer des erreurs de communication si de l'eau s'infiltré dans les cordons et les fils et provoquent une isolation insuffisante de la mise à la terre ou un mauvais contact électrique au niveau du point de raccordement intermédiaire.

2. Choix d'un endroit pour l'installation

* Le boîtier de dérivation est destiné uniquement à une utilisation intérieure.

- Vérifier que le boîtier de dérivation est installé dans un endroit pratique pour l'entretien et la maintenance (vérifier que l'espace ou les orifices d'entretien nécessaires sont accessibles).

- Ne pas installer à proximité de chambres. Le bruit de l'écoulement du réfrigérant dans les tuyaux peut parfois s'entendre.
 - Vérifier qu'il est placé dans un endroit où le bruit en fonctionnement ne représente pas un problème.
- Une fois sous tension ou après un arrêt prolongé, un cliquetis provenant de l'intérieur du boîtier de dérivation se fait entendre. Le détendeur électrique s'ouvre et se ferme. L'appareil n'est pas défectueux.

- Déterminer l'agencement des tuyaux de réfrigérant et des câbles électriques avant l'installation.

Une fois l'installation terminée, expliquer les "Consignes de sécurité", l'utilisation et l'entretien de l'appareil au client conformément aux informations du mode d'emploi et effectuer l'essai de fonctionnement en continu pour garantir un fonctionnement normal. Le manuel d'installation et le mode d'emploi doivent être fournis à l'utilisateur qui doit les conserver. Ces manuels doivent également être transmis aux nouveaux utilisateurs.

⚡ : Indique un élément qui doit être mis à la terre.

⚠ Avertissement:

Prendre soin de lire les étiquettes se trouvant sur l'appareil principal.

⚠ Précaution:

- Vérifier que les tuyaux de réfrigérant sont bien isolés pour empêcher la formation de condensation. Une isolation incomplète peut provoquer de la condensation à la surface des tuyaux, l'apparition d'humidité au niveau du plafond et du sol, ainsi qu'à d'autres éléments importants.
- Ne pas utiliser l'appareil dans un environnement inhabituel. Si le climatiseur est installé dans des endroits exposés à la vapeur, à l'huile volatile (notamment l'huile de machine), au gaz sulfurique ou à une forte teneur en sel, par exemple, en bord de mer, les performances peuvent considérablement diminuer et les pièces internes de l'appareil être endommagées.
- Ne pas installer l'appareil dans des endroits où des gaz de combustion peuvent s'échapper, se dégager ou s'accumuler. L'accumulation de gaz de combustion autour de l'appareil peut provoquer un incendie ou une explosion.
- Lors de l'installation de l'appareil dans un hôpital ou un centre de communications, se préparer au bruit et aux interférences électroniques. Les inverseurs, les appareils électroménagers, les équipements médicaux haute fréquence et de communications radio peuvent provoquer un dysfonctionnement ou une défaillance du climatiseur. Le climatiseur peut également endommager les équipements médicaux et de communications, perturbant ainsi les soins et réduisant la qualité d'affichage des écrans.
- Isoler le tuyau de réfrigérant pour éviter la condensation. S'il n'est pas correctement isolé, de la condensation risque de se former.
- Placer un isolant thermique sur les tuyaux pour éviter la condensation. L'installation incorrecte du tuyau d'écoulement peut provoquer des fuites d'eau et endommager le plafond, le sol, les meubles ou d'autres objets.
- Ne pas nettoyer le climatiseur à l'eau au risque de provoquer un choc électrique.
- Serrer tous les écrous évasés conformément aux spécifications à l'aide d'une clé dynamométrique. S'ils sont trop serrés, ils peuvent casser après une période prolongée.
- Ne pas couper le disjoncteur du boîtier de dérivation M-NET lors de l'installation de l'unité à une température inférieure à -20 °C (-4°F), sinon cela pourrait provoquer une panne de communication.

- Vérifier que l'endroit d'installation est tel que la longueur des tuyaux de réfrigérant ne dépasse pas les limites spécifiées.

* Ne pas procéder à l'installation dans un endroit qui est chaud ou humide pendant de longues périodes.

- Vérifier que le boîtier de dérivation est installé au-dessus du plafond du couloir, de la salle de bain, etc. c'est-à-dire dans un endroit peu fréquenté (éviter de procéder à l'installation au milieu de la pièce) pour la maintenance.

- * Vérifier que l'appareil est installé dans un endroit capable de supporter son poids.

⚠ Avertissement:

Vérifier que l'appareil est correctement installé dans un endroit capable de supporter son poids.

Si l'installation manque de solidité, l'appareil peut tomber et provoquer des blessures.

3. Vérification des accessoires fournis

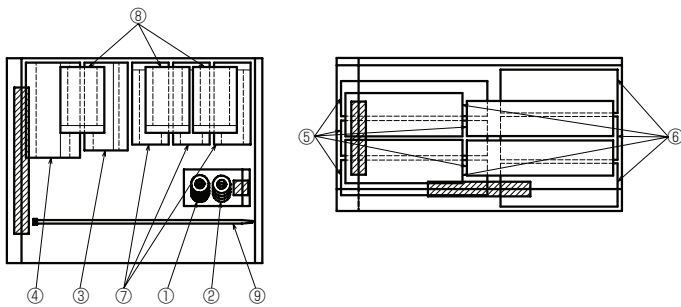


Fig. 3-1

3.1. Vérifier les accessoires et les pièces du boîtier de dérivation

	Nom des accessoires	Qté		
		PAC-MKA30BC	PAC-MKA50BC	
①	Rondelle (isolée)	4	4	
②	Rondelle	4	4	
③	Cache-tuyaux (liquide)	1	1	Vers l'appareil extérieur
④	Cache-tuyaux (gaz)	1	1	Vers l'appareil extérieur
⑤	Cache-tuyaux (liquide)	3	5	Vers l'appareil intérieur
⑥	Cache-tuyaux (gaz)	3	5	Vers l'appareil intérieur
⑦	Couvre-joint (liquide)	1	3	
⑧	Couvre-joint (gaz)	1	3	
⑨	Sangle	16	24	
⑩	Plaque de conduit	1	1	Attaché au corps principal et expédié.

4. Dimensions et espace requis pour l'entretien du boîtier de dérivation

Joint optionnels de différents diamètres (déformés)

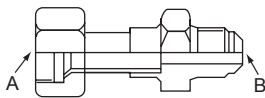


Fig. 4-1

Nom de modèle	Diamètre des tuyaux raccordés	Diamètre A	Diamètre B
	pouce, mm	pouce, mm	pouce, mm
MAC-A454JP	3/8, ø9,52 → 1/2, ø12,7	3/8, ø9,52	1/2, ø12,7
MAC-A455JP	1/2, ø12,7 → 3/8, ø9,52	1/2, ø12,7	3/8, ø9,52
MAC-A456JP	1/2, ø12,7 → 5/8, ø15,88	1/2, ø12,7	5/8, ø15,88
PAC-493PI	1/4, ø6,35 → 3/8, ø9,52	1/4, ø6,35	3/8, ø9,52
PAC-SG76RJ-E	3/8, ø9,52 → 5/8, ø15,88	3/8, ø9,52	5/8, ø15,88

■ PAC-MKA50BC (type à 5 embranchements)

(pouce)

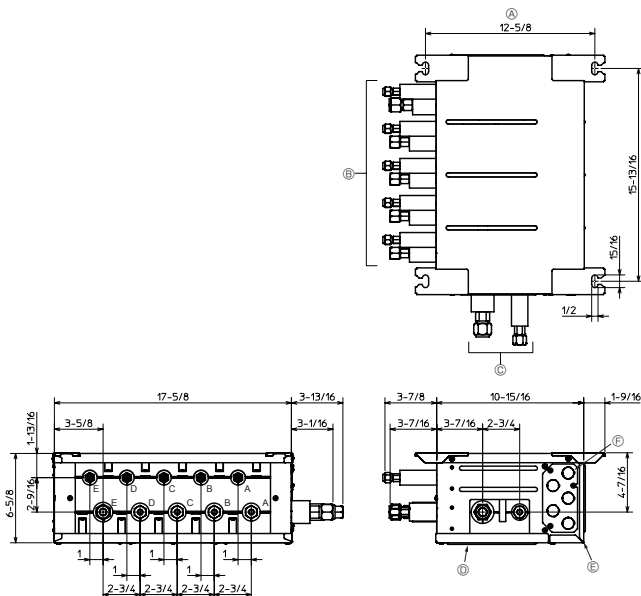


Fig. 4-2

- * Il est possible de raccorder deux appareils intérieurs minimum à un système.
- * Vous pouvez raccorder jusqu'à 2 boîtiers de dérivation sur 1 unité extérieure.
- * Boulon de suspension : W3/8 (M10)
- * Raccord évasé des tuyaux de réfrigérant

* La taille des raccordements de tuyau diffère selon le type et la capacité des appareils intérieurs. Adapter la taille du raccordement du tuyau de l'appareil intérieur et du boîtier de dérivation. Si la taille du raccordement du tuyau de l'appareil intérieur, utiliser des joints (déformés) d'un diamètre différent (disponibles en option) au niveau du boîtier de dérivation. (Raccorder le joint déformé directement au niveau du boîtier de dérivation.)

- Ⓐ Pas de boulon de suspension
 - Ⓑ Vers l'appareil intérieur
 - Ⓒ Vers l'appareil extérieur
 - Ⓓ Panneau de service (pour LEV, THERMISTOR)
 - Ⓔ Protection électrique
 - Ⓕ Plaque de conduit
 - Ⓖ Bloc de raccordement (vers l'appareil intérieur sur la carte de commande)
 - Ⓗ Bloc de raccordement (vers l'appareil extérieur)
 - Ⓙ Bloc de raccordement (pour le câble de communication)
- * Vérifier que le boîtier de dérivation est installé comme illustré sur le schéma ci-après.

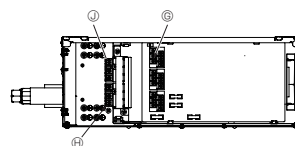
■ PAC-MKA50BC (Fig.4-2)

Boulon de suspension: W3/8 (M10)

Raccord évasé des tuyaux de réfrigérant

pouce, mm

	A	B	C	D	E	Vers l'appareil extérieur
Tuyau de liquide	1/4, ø6,35	1/4, ø6,35	1/4, ø6,35	1/4, ø6,35	1/4, ø6,35	3/8, ø9,52
Tuyau de gaz	3/8, ø9,52	3/8, ø9,52	3/8, ø9,52	3/8, ø9,52	1/2, ø12,7	5/8, ø15,88



Formule de conversion

1/4 F	ø6,35
3/8 F	ø9,52
1/2 F	ø12,7
5/8 F	ø15,88
3/4 F	ø19,05

4. Dimensions et espace requis pour l'entretien du boîtier de dérivation

■ PAC-MKA30BC (type à 3 embranchements)

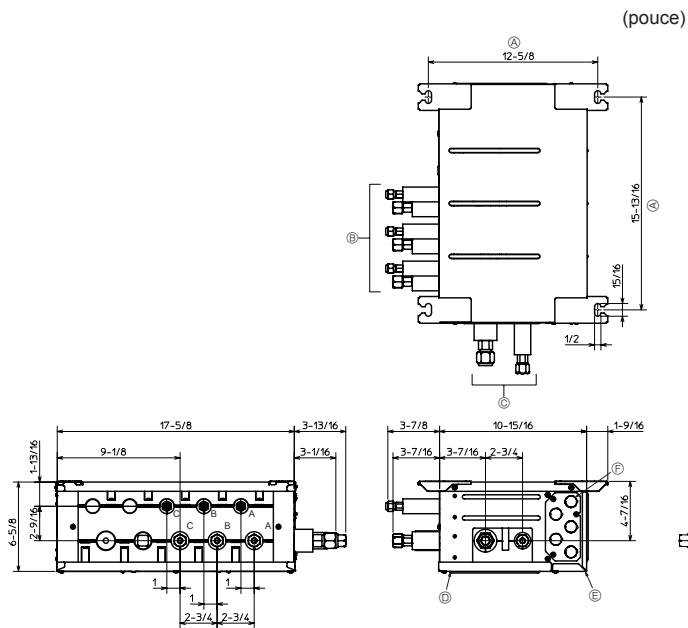


Fig. 4-3

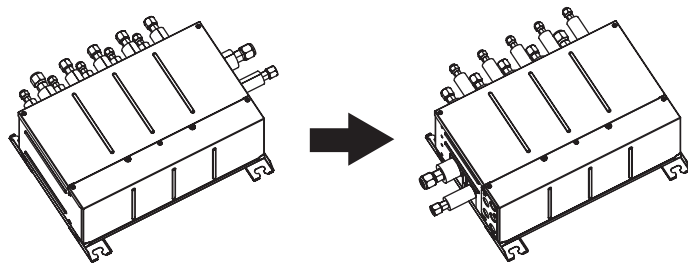
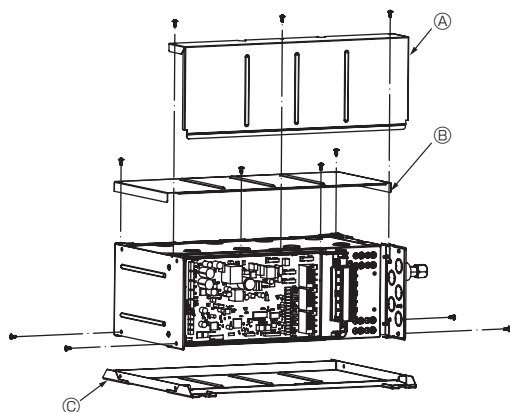


Fig. 4-4

② Retirez le capot électrique, le panneau de service et le panneau supérieur.

- Ⓐ Protection électrique
- Ⓑ Panneau de service
- Ⓒ Panneau supérieur



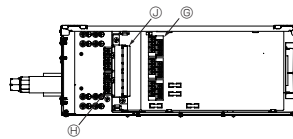
■ PAC-MKA30BC (Fig.4-3)

Boulon de suspension: W3/8 (M10)

Raccord évasé des tuyaux de réfrigérant

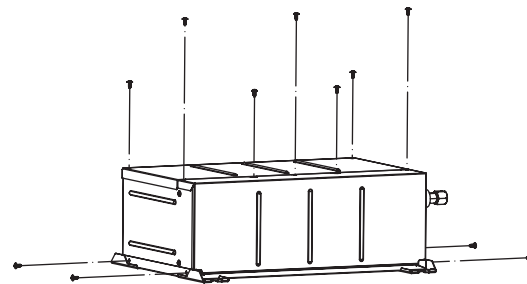
pouce, mm

	A	B	C	Vers l'appareil extérieur
Tuyau de liquide	1/4, ø6,35	1/4, ø6,35	1/4, ø6,35	3/8, ø9,52
Tuyau de gaz	3/8, ø9,52	3/8, ø9,52	3/8, ø9,52	5/8, ø15,88



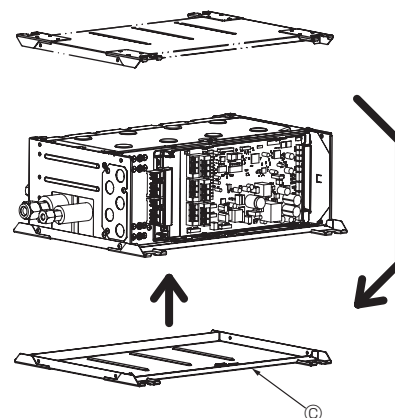
4.1. Il est possible de modifier la direction des tuyaux. (Fig. 4-4). [Procédures de travail] (Fig. 4-5)

① Retirer les vis de chaque pièce.



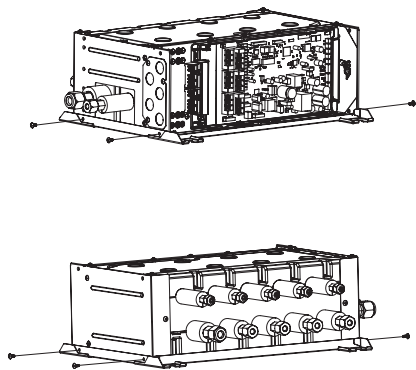
③ Installer le panneau supérieur sur la surface opposée.

- Ⓒ Panneau supérieur



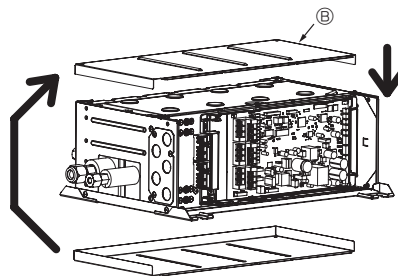
4. Dimensions et espace requis pour l'entretien du boîtier de dérivation

④ Fixer les vis de chaque pièce.

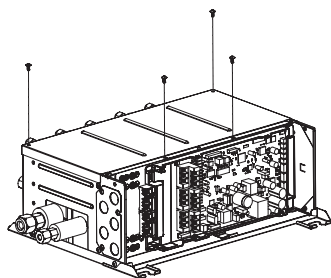


⑤ Installer le panneau de service sur la surface opposée.

ⓑ Panneau de service

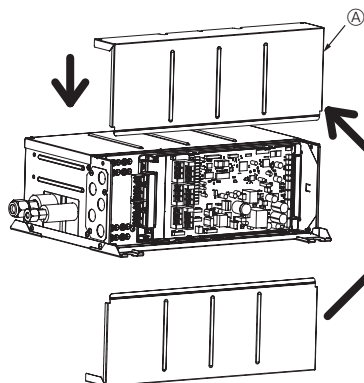


⑥ Fixer les vis.



⑦ Installer la protection électrique sur la surface opposée.

Ⓐ Protection électrique



⑧ Fixer les vis.

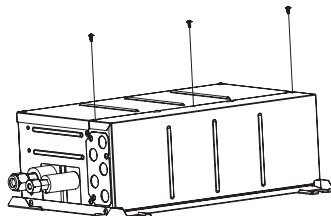


Fig. 4-5

4. Dimensions et espace requis pour l'entretien du boîtier de dérivation

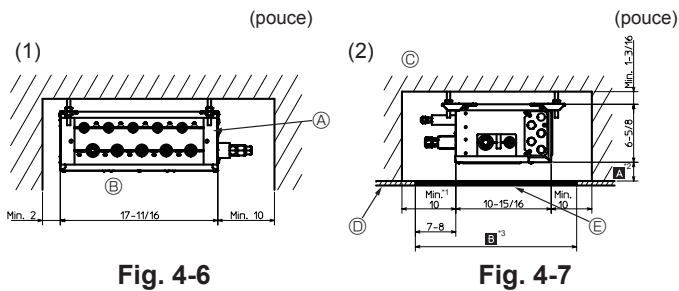


Fig. 4-6

Fig. 4-7

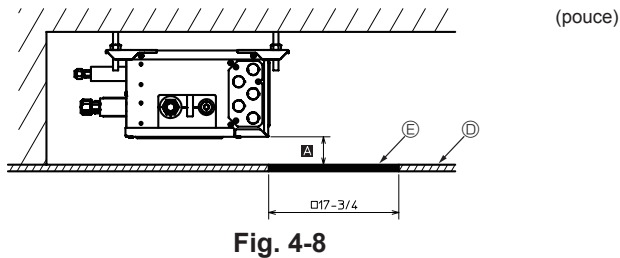


Fig. 4-8

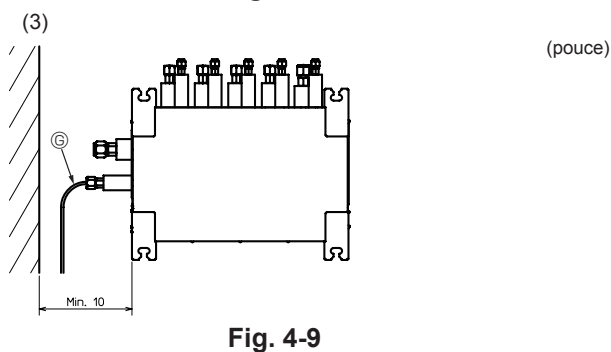


Fig. 4-9

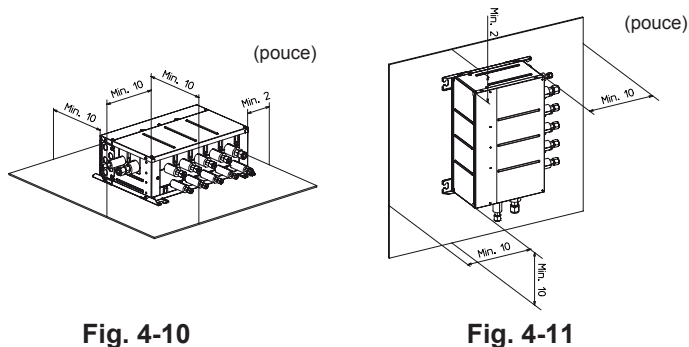
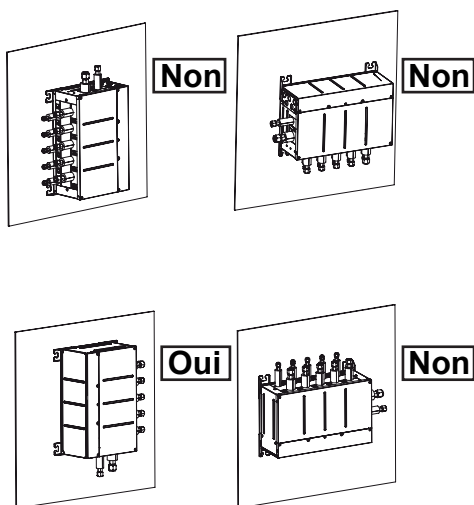


Fig. 4-10

Fig. 4-11



5. Tuyau de réfrigérant

* Toujours suivre les spécifications figurant dans le manuel d'installation de l'appareil extérieur. Le dépassement de ces exigences peut induire une baisse des performances de l'équipement et des dysfonctionnements.

4.2. Espace requis pour l'installation et l'entretien

I. Espace lors de l'installation avec les boulons de suspension.

- (1) Vue de face (Fig. 4-6)
 - A Boîtier de dérivation
 - B Sur la face latérale des tuyaux
- (2) Vue de profil (Fig. 4-7, Fig. 4-8)
 - C Pour les installations intérieures
 - D Panneau pour plafond
 - E Orifice d'entretien

*1: Un rayon minimum de 13-3/4 pouce (350 mm) est requis pour obtenir une courbure de 90° de la tuyauterie de réfrigérant.

***2: A correspond à "7-7/8 pouce (200 mm) minimum" <recommandation>.**
 (Condition : la pente du tuyau d'écoulement est garantie à 1/100 minimum.
 7-7/8 pouce (200 mm) minimum sont requis si ce n'est pas possible.)

Si la valeur est inférieure à 7-7/8 pouce (200 mm) (par exemple, si A correspond à 4 pouce (100 mm)), le remplacement du boîtier de dérivation à partir d'un orifice d'entretien devient difficile (Seul le remplacement d'une carte de circuit imprimé, des bobines du détendeur linéaire et des capteurs est possible.)

***3: B correspond à "17-3/4 pouce (450 mm)" <recommandation>.**

Si la valeur est "17-3/4 pouce (450 mm)" préparer un orifice d'entretien du côté de la carte de circuit intégré (comme illustré à la Fig. 4-8) et la distance A doit correspondre à "11-13/16 pouce (300 mm) minimum".

Si la valeur est inférieure à 11-13/16 pouce (300 mm) (par exemple, si A correspond à 4 pouces (100 mm)), le remplacement du boîtier de dérivation, des bobines du détendeur linéaire et des capteurs à partir d'un orifice d'entretien devient difficile (Seul le remplacement d'une carte de circuits intégrés est possible.).

- (3) Vue de dessus (Fig. 4-9)
 - C Tuyau de réfrigérant

II. Espace lors de l'installation au sol. (Fig. 4-10)

III. Espace lors sur l'installation sur un mur. (Fig. 4-11)

Le sens d'installation est limité lors de l'installation sur un mur. (Fig. 4-12)

Lors de l'installation de l'appareil sur le mur, installer les tuyaux raccordés à l'appareil extérieur dirigés vers le bas. Toute autre manière n'est pas acceptable.

6. Montage du boîtier de dérivation

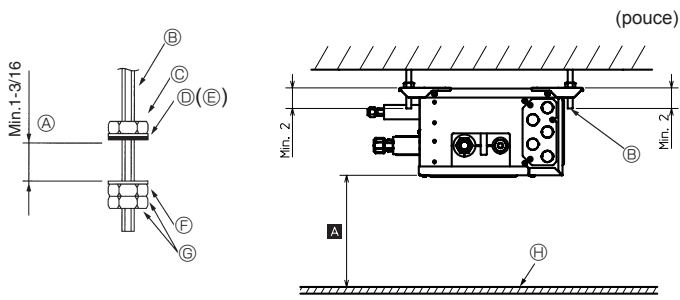


Fig. 6-1

- (1) Installer les boulons de suspension (à acheter localement) suivant le pas requis (Fig. 4-2, 4-3).
- (2) Fixer les rondelles et les écrous (①, ②, à acheter localement) sur les boulons de suspension. (Fig. 6-1)
- (3) Accrocher l'appareil sur les boulons de suspension.
- (4) Serrer correctement les écrous (vérifier la hauteur de plafond).
- (5) Utiliser un niveau pour ajuster le boîtier de dérivation à l'horizontale.

- Ⓐ Une fois l'appareil suspendu et les écrous correctement fixés
- Ⓑ Boulon de suspension
- Ⓒ Ecrous
- Ⓓ Rondelle (avec amortisseur) ①
- Ⓔ Vérifier que le plan de joint des matrices est orienté vers le bas
- Ⓕ Rondelle (sans amortisseur) ②
- Ⓖ Ecrou (à acheter localement)
- Ⓗ Panneau pour plafond

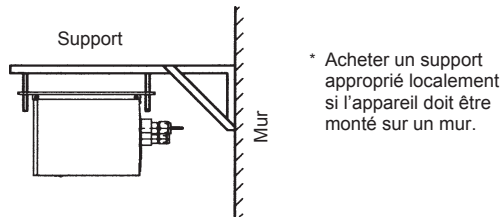
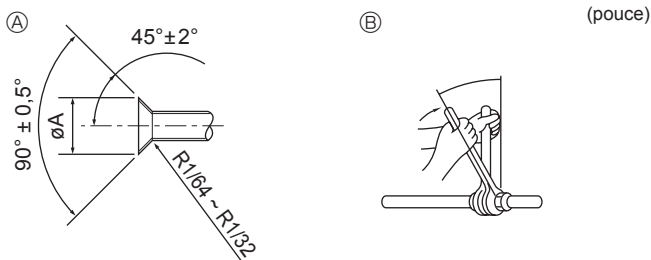


Fig. 6-2

7. Installation des tuyaux de réfrigérant



- Ⓐ Dimension de l'évasement
- Ⓑ Couple de serrage du raccord conique

Fig. 7-1

- Ⓐ Dimension de l'évasement

Tableau 1 (mm (pouce))

Diam. ext. Tuyau en cuivre	Dimensions évasement Dimensions ϕA
$\phi 6,35$ (1/4)	8,7-9,1 (11/32-23/64)
$\phi 9,52$ (3/8)	12,8-13,2 (1/2-33/64)
$\phi 12,7$ (1/2)	16,2-16,6 (41/64-21/32)
$\phi 15,88$ (5/8)	19,3-19,7 (49/64-25/32)

- Ⓑ Couple de serrage du raccord conique

Tableau 2

Diam. ext. Tuyau en cuivre (mm (pouce))	Diam. ext. raccord conique (mm (pouce))	Couple de serrage (N·m (ft·lbs))
$\phi 6,35$ (1/4)	17 (43/64)	14-18 (10-13)
$\phi 6,35$ (1/4)	22 (7/8)	34-42 (25-30)
$\phi 9,52$ (3/8)	22 (7/8)	34-42 (25-30)
$\phi 12,7$ (1/2)	26 (1-3/64)	49-61 (35-44)
$\phi 12,7$ (1/2)	29 (1-9/64)	68-82 (49-59)
$\phi 15,88$ (5/8)	29 (1-9/64)	68-82 (49-59)
$\phi 15,88$ (5/8)	36 (1-27/64)	100-120 (71-87)

- ▶ Raccorder les tuyaux de liquide et de gaz de chaque appareil intérieur au raccordement portant le même numéro, comme indiqué dans la section sur le raccordement évasé des appareils intérieurs de chaque boîtier de dérivation. Tout raccordement incorrect engendre un dysfonctionnement.

- ▶ Lors du raccordement des appareils intérieurs, s'assurer de raccorder les tuyaux de réfrigérant et de raccordement aux orifices de raccordement appropriés portant une lettre de l'alphabet identique (Par exemple A, B, C, D, E)

Remarque:

Veiller à marquer chaque tuyau de réfrigérant local (tuyaux de liquide, de gaz, etc.) de chaque appareil intérieur afin d'identifier clairement la pièce concernée (Par exemple A, B, C, D, E).

- ▶ Noter les références des appareils intérieurs figurant sur la plaque signalétique du boîtier de commande du boîtier de dérivation (à des fins d'identification).

- Isoler et protéger efficacement le système contre la condensation, de manière à empêcher tout écoulement d'eau de la tuyauterie de réfrigérant. (Tuyau de liquide/de gaz)
- Augmenter l'isolation en fonction de l'environnement dans lequel la tuyauterie de réfrigérant est installée, sinon de la condensation peut se former à la surface du matériau d'isolation. (Matériau d'isolation résistant à une température de 120 °C [248 °F] ; épaisseur : 15 mm [19/32 inch] ou plus)

- * Lorsque la tuyauterie de réfrigérant est placée dans des endroits soumis à des températures élevées et à une forte humidité, dans un grenier par exemple, une isolation supplémentaire peut être nécessaire.

- Pour isoler la tuyauterie de réfrigérant, appliquer de la mousse de polyéthylène résistant à la chaleur entre l'appareil intérieur et le matériau d'isolation, ainsi que sur le filet entre les couches de matériau isolant, en remplissant tous les trous. (La formation de condensation sur la tuyauterie peut engendrer la formation de condensation dans le local ou provoquer des brûlures au contact de la tuyauterie).

- ▶ Lors de l'utilisation de tuyaux de réfrigérant disponibles dans le commerce, s'assurer que les tuyaux de gaz et de liquide sont entourés d'un isolant thermique disponible dans le commerce (matériaux isolants d'une épaisseur minimum de 1/2 pouce (12 mm) et pouvant supporter des températures supérieures à 212 °F, 100 °C).

- ▶ Consulter le manuel d'installation de l'appareil extérieur lors de la création de vide ou lors de l'ouverture ou de la fermeture des vannes.

- (1) Retirer les écrous évasés et les capuchons du boîtier de dérivation.
- (2) Evaser les extrémités des tuyaux de liquide et de gaz et appliquer de l'huile réfrigérante (à acheter localement) sur la surface évasée. N'appliquez pas d'huile sur la partie filetée.
- (3) Raccorder immédiatement les tuyaux de réfrigérant. Serrez toujours les écrous évasés jusqu'au couple spécifié dans le tableau 2 à l'aide d'une clé dynamométrique et d'une double clé à molette.
- (4) Appuyer les cache-tuyaux ③ et ⑤ des tuyaux de liquide contre l'appareil et les enrouler pour les maintenir en place. (Fig. 7-3)
- (5) Appuyer les cache-tuyaux ④ et ⑥ des tuyaux de gaz contre l'appareil et les enrouler pour les maintenir en place. (Fig. 7-3)
- (6) Fixer les sangles fournies ⑨ à 7/16-13/16 pouce (10 à 20 mm) de chaque extrémité des cache-tuyaux (③ ④ ⑤ ⑥).
- (7) Si l'unité intérieure n'est pas raccordée, raccordez les cache-tuyaux (avec les bouchons, ⑦ et ⑧) sur les branchements des tuyaux de réfrigérant du boîtier de dérivation contre l'unité afin d'éviter un écoulement de condensation des tuyaux. (Fig. 7-4)
- (8) Fixer les cache-tuyaux (⑦ ⑧) à l'aide des sangles fournies ⑨.

7. Installation des tuyaux de réfrigérant

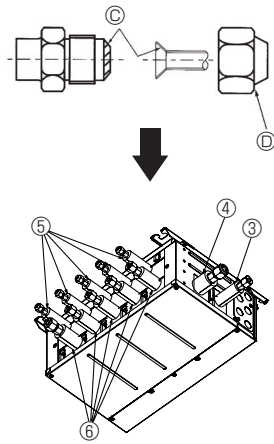


Fig. 7-2

⚠ Précaution:

Serrer l'écrou évasé à l'aide d'une clé dynamométrique en respectant la méthode spécifiée.

Un serrage trop important cassera l'écrou évasé et provoquera une fuite de réfrigérant pendant un certain temps.

ⓐ Appliquer de l'huile réfrigérante sur toute la surface évasée (Fig. 7-2).

ⓑ Utiliser en principe des écrous évasés adaptés (les écrous évasés en vente dans le commerce peuvent se briser).

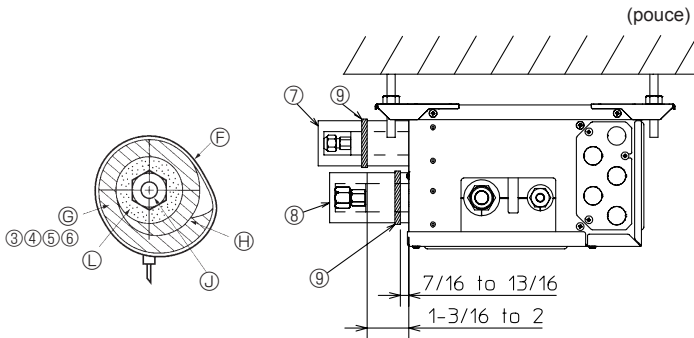


Fig. 7-3

Fig. 7-4

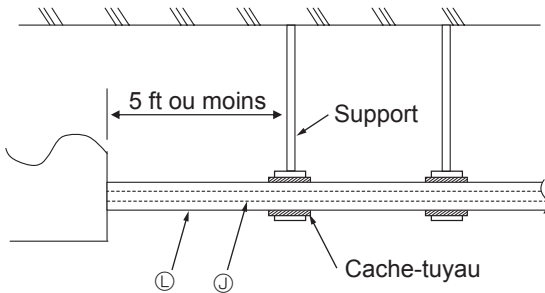


Fig. 7-5

Remarque:

Certains appareils intérieurs requièrent l'achat d'un écrou évasé (en option ou fourni avec l'appareil intérieur).

Consulter le manuel d'installation des appareils intérieur et extérieur pour plus de détails.

- Ⓣ Sangle ⑨
- ⓖ Cache-tuyaux ③ ④ ⑤ ⑥
- ⓗ Serrer
- ⓐ Tuyau de réfrigérant
- ⓓ Isolant thermique pour tuyau de réfrigérant

► Appliquer les procédures suivantes aux composants du boîtier de dérivation qui ne sont pas raccordés à un appareil intérieur. (Fig. 7-4)

- (1) Afin d'éviter toute fuite de réfrigérant, veiller à serrer les raccords coniques conformément aux couples de serrage indiqués* dans le Tableau 3.
* Des fuites de réfrigérant peuvent également survenir si les raccords coniques sont serrés au-delà des couples de serrage indiqués.
- (2) Pour éviter la condensation, mettaient en place les cache-tuyaux ⑦ et ⑧ contre l'unité et attachez-les à l'aide des sangles ⑨ fournies.

Tableau 3

Diamètre des ouvertures du boîtier de dérivation pour le raccordement des appareils intérieurs (pouce, mm)	Couple de serrage (ft•lbs, N•m)
1/4, ø6,35	8-11, 13 ± 2
3/8, ø9,52	21-24, 30 ± 2
1/2, ø12,7	35-38, 50 ± 2

► **Charge de réfrigérant:**

Se reporter au manuel d'installation de l'appareil extérieur.

N'utiliser que du réfrigérant R410A (l'utilisation de tout autre réfrigérant peut engendrer des dysfonctionnements).

⚠ Précaution:

Pour éviter un effort excessif sur le boîtier de dérivation, soutenir les tuyaux avec un ou deux support(s) de 5 ft (1,5 m) ou moins depuis le boîtier de dérivation.

Se reporter à la Fig. 7-5 comme exemple.

- ⓐ Tuyau de réfrigérant
- ⓓ Isolant thermique pour tuyau de réfrigérant

8. Installations électriques

■ Utiliser des alimentations distinctes pour le boîtier de dérivation et l'appareil extérieur

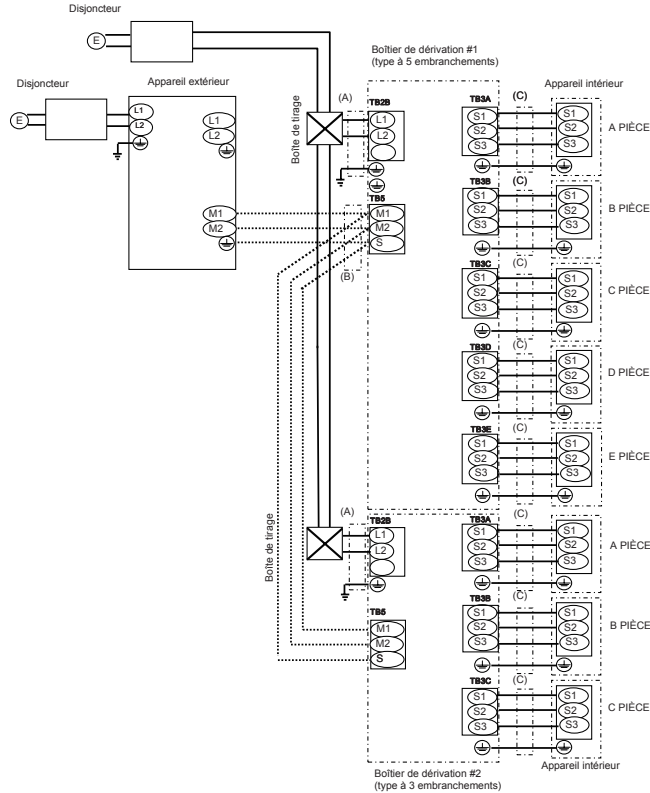
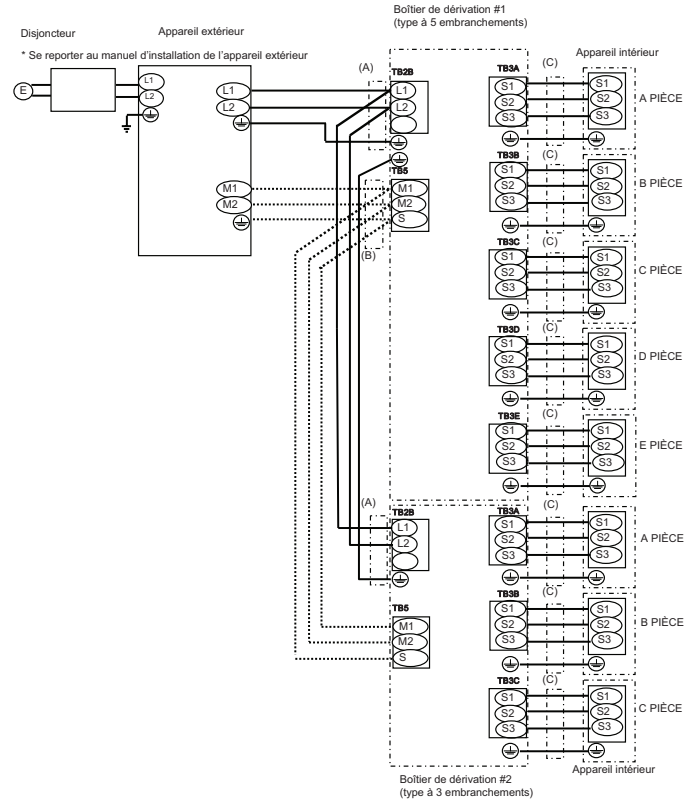


Fig. 8-9

8.2. Procédure de câblage externe (Fig. 8-9, Fig. 8-10)

■ Alimentation de l'appareil extérieur



Ⓒ Alimentation : 208/230 V, 60 Hz

Remarque:

- ① Branchez les lignes (B), (C) sur le nom des blocs de raccordement pour assurer une polarité correcte.
- ② Quant aux la lignes (C), S1 et S2, elles permettent de raccorder la source d'alimentation. Et S2 et S3 sont destinées aux signaux. S2 est un câble commun pour la source d'alimentation et le signal.

Diamètre du fil		
(A) Ligne d'alimentation principale/Ligne de mise à la terre	(B) Câble M-NET Câble blindé CVVS ou CPEVS	(C) Ligne du signal/ Ligne de mise à la terre
2,1 mm ² (AWG14)	1,25 mm ² (AWG16) Moins de 200 m	1,25 mm ² (AWG16) Moins de 25 m

Si vous utilisez un câble torsadé pour le câblage, l'utilisation d'une borne circulaire est requise.

Remarques: 1. La taille du câblage doit être conforme aux codes locaux et nationaux applicables.

2. Raccordement des cordons d'alimentation et des unité intérieure/boîtier de dérivation/unité extérieure ne doivent pas être plus légers qu'un cordon flexible à gainage en polychloroprène. (Norme 60245 IEC 57)

3. Installez une ligne de mise à la terre plus longue que les câbles d'alimentation.

4. Ne pas attacher le câble M-NET avec le câble de connexion et câble d'alimentation.

Cela peut entraîner un fonctionnement erroné.

⚠ Avertissement:

Ne faites jamais d'épissure au niveau du câble car cela pourrait provoquer l'apparition de fumée, d'un incendie ou une panne de communication.

• Méthode de raccordement recommandée

Lors du raccordement d'un appareil intérieur au boîtier de dérivation, raccordez-le sur TB3A. Lors du raccordement de 2 appareils intérieurs, raccordez-les sur TB3A et TB3B. Lors du raccordement de 3 appareils intérieurs, raccordez-les sur TB3A, TB3B et TB3C. Raccordez les appareils intérieurs dans l'ordre A→B→C→D→E.

BOÎTIER de dérivation M-NET (type à 5 embranchements)

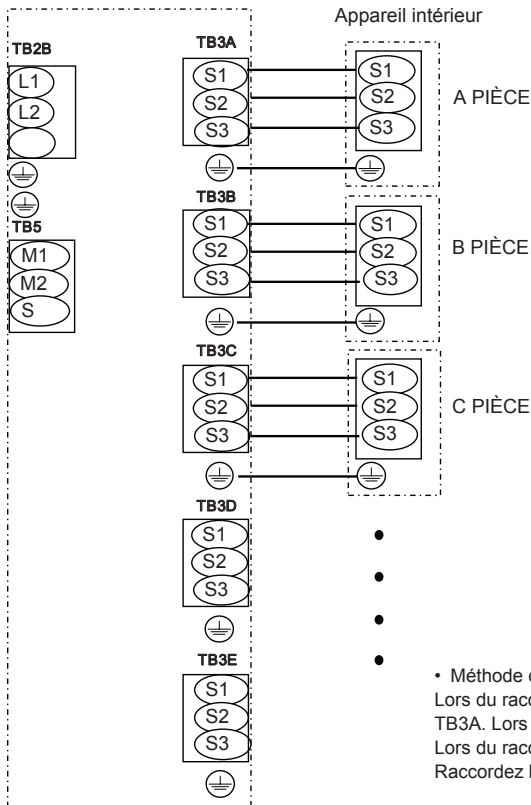


Fig. 8-10

8. Installations électriques

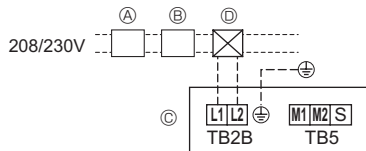


Fig. 8-11

■ Câblage d'alimentation (Utiliser des alimentations distinctes pour le boîtier de dérivation et l'appareil extérieur)

- Installez un conducteur de terre plus long que les autres câbles.
- Les cordons d'alimentation de l'appareil ne doivent pas être plus légers que décrit dans les normes 245IEC57 ou 227IEC57, 245 IEC 53 ou 227 IEC 53.
- Un commutateur avec séparation de contact d'au moins 3 mm, 1/8 inch, dans chaque pôle doit être assuré par l'installation de climatisation.

[Fig. 8-11]

- Ⓐ Disjoncteur de fuite à la terre
- Ⓑ Commutateur local/Disjoncteur
- Ⓒ Boîtier de dérivation
- Ⓓ Boîte de tirage

Courant de fonctionnement total de l'appareil intérieur	Épaisseur minimum câble (mm ² /AWG)					Disjoncteur de câblage (NFB)	Disjoncteur de fuite à la terre *1
	Câble principal	Ramification	Terre	Capacité	Fusible		
F0 = 15A ou moins *2	2,1/14	2,1/14	2,1/14	15	15	15	Sensibilité de courant 15A *3
F0 = 20A ou moins *2	3,3/12	3,3/12	3,3/12	20	20	20	Sensibilité de courant 20A *3
F0 = 30A ou moins *2	5,3/10	5,3/10	5,3/10	30	30	30	Sensibilité de courant 30A *3

Appliquez à IEC61000-3-3 environ l'impédance max. de système autorisée.

*1 Le disjoncteur de fuite à la terre doit prendre en charge le circuit onduleur.

Le disjoncteur de fuite à la terre doit se combiner à l'utilisation du commutateur local ou du disjoncteur.

*2 Prenez la plus grande des deux valeurs entre F1 ou F2 comme valeur pour F0.

F1 = Courant total maximum des appareils intérieurs × 1,2

F2 = (V1/C)

Appareil intérieur	V1	V2
Type 1 SEZ-KD•NA, PLA-A•BA	19,8	2,4
Type 2 PEAD-A•AA, MVZ-A•AA	26,9	
Type 3 MSZ-FE•NA	9,9	
Type 4 MSZ-FH•NA, MSZ-GE•NA	6,8	
Type 5 SLZ-KA•NA	3,5	
Type 6 MFZ-KA•NA	16,2	
Type 7 Boîtier de dérivation (PAC-MKA•BC)	5,1	

C : Multiple de courant de déclenchement au temps de déclenchement 0,01 s

Prenez "C" dans les caractéristiques de déclenchement du disjoncteur.

*Boîtier de dérivation conditionnel × 2 + SEZ-KD•NA × 5, C=8 (Se reporter au graphique d'exemple de droite)

F2 = 5,1 × 2/8 + 19,8 × 5/8

= 14,9

→ Disjoncteur 16A (Courant de déclenchement = 8 × 16 A à 0,01s)

*3 La sensibilité de courant est calculée selon la formule suivante.

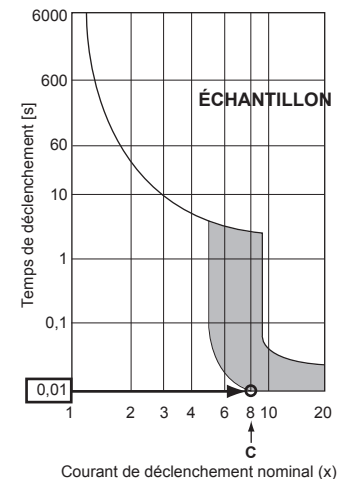
G1 = V2 + V3 × (Longueur câble [km])

G1	Sensibilité de courant
30 ou moins	30 mA 0,1sec ou moins
100 ou moins	100 mA 0,1sec ou moins

Épaisseur câble (mm ² /AWG)	V3
2,1/14	48
3,3/12	56
5,3/10	66

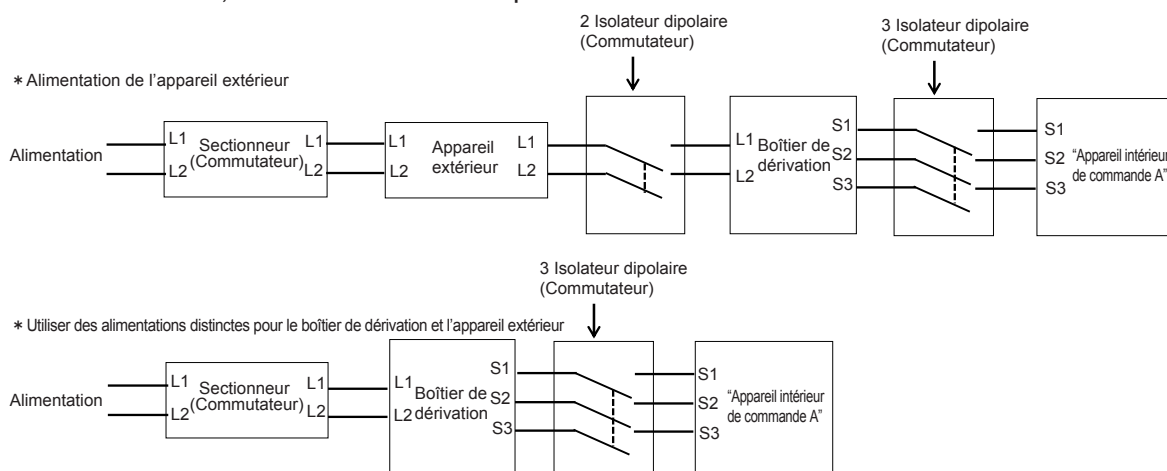
	V2
Appareil intérieur	2,4
Boîtier de dérivation	3,0

Diagramme d'échantillon



⚠ Avertissement:

Dans le cas d'un câblage de contrôle A, il est possible que la borne S3 reçoive une tension élevée en raison du schéma du circuit électrique qui ne présente aucune isolation électrique entre le câble d'alimentation et les câbles de signaux de communication. Ainsi, veuillez couper l'alimentation principale pendant l'entretien. Et ne touchez pas aux bornes S1, S2, S3 lorsque le circuit est alimenté. Si un isolateur doit être utilisé entre l'unité externe et le boîtier de dérivation/ unité interne et le boîtier de dérivation, veuillez utiliser un isolateur à 3 pôles.

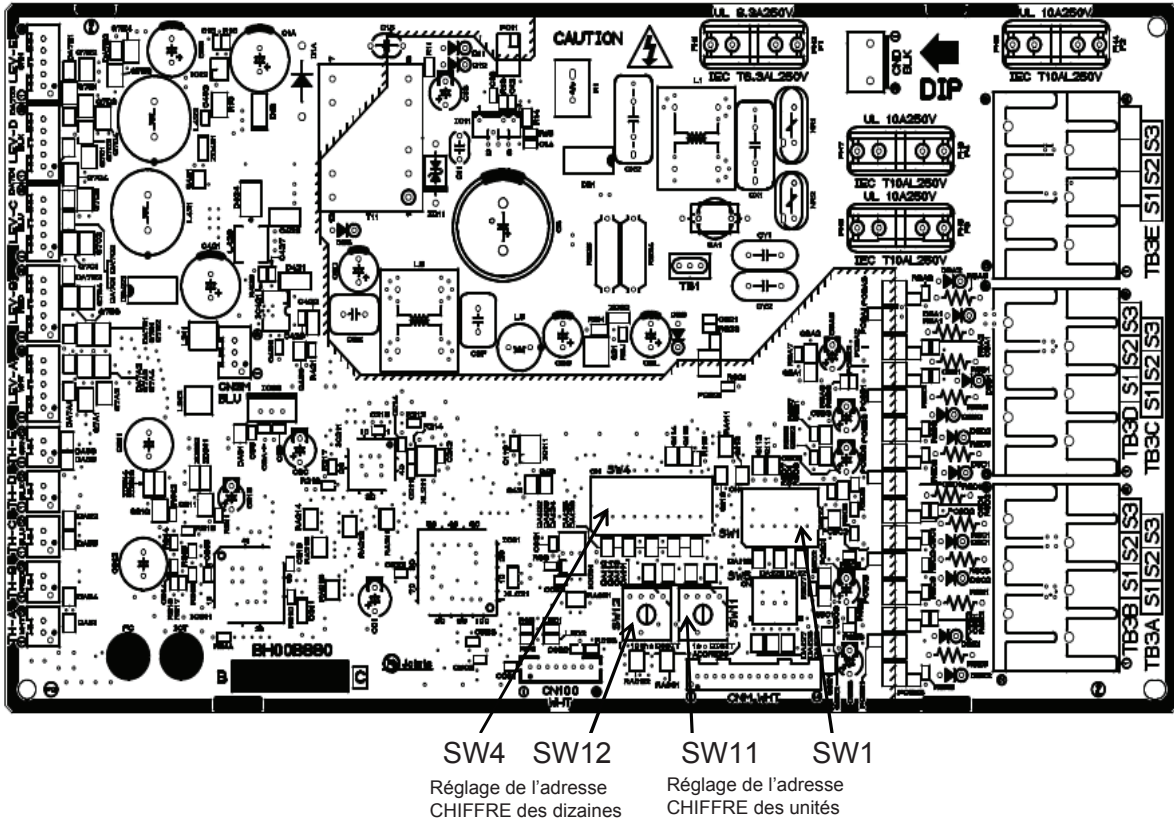


⚠ Précaution:

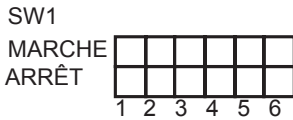
Après avoir utilisé l'isolateur, veuillez à couper puis à remettre l'alimentation principale afin de réinitialiser le système. Sinon, l'unité externe pourra ne pas détecter le(s) boîtier(s) de dérivation ou les unités internes.

8. Installations électriques

8.3. Réglage des commutateurs



Réglage des commutateurs DIP (efficace uniquement avant la mise sous tension)



Appareil intérieur A
Appareil intérieur B
Appareil intérieur C
Appareil intérieur D
Appareil intérieur E
Non attribué

Commutateur	ARRÊT	MARCHE
SW1-1	Non	Oui
SW1-2	Non	Oui
SW1-3	Non	Oui
SW1-4	Non	Oui
SW1-5	Non	Oui
SW1-6		

Commutateur d'adresse (efficace uniquement avant la mise sous tension)

Le réglage réel de l'adresse de l'appareil intérieur varie en fonction des différents systèmes. Consulter le manuel d'installation de l'appareil extérieur pour en savoir plus sur la méthode de réglage de l'adresse. Chaque adresse est réglée avec une combinaison du réglage des chiffres des dizaines et des unités.

(Exemple)

- Si vous réglez l'adresse sur "3", régler le chiffre des unités sur 3 et celui des dizaines sur 0.
- Si vous réglez l'adresse sur "25", régler le chiffre des unités sur 5 et celui des dizaines sur 2.

(Exemple)

- Si vous réglez l'adresse du BOÎTIER de dérivation sur "3", une adresse est attribuée à chaque appareil intérieur en commençant par l'appareil A, comme indiqué ci-dessous, même si chaque appareil intérieur est raccordé. (SW1-1~5 MARCHE)

Appareil intérieur A Adresse 3
Appareil intérieur B Adresse 4
Appareil intérieur C Adresse 5
Appareil intérieur D Adresse 6
Appareil intérieur E Adresse 7

- Si l'adresse est réglée sur "25" et que 3 appareils intérieurs sont également raccordés (appareil A, appareil C et appareil E). (SW1-1, 1-3, 1-5 MARCHE)

Appareil intérieur A Adresse 25
Appareil intérieur C Adresse 26
Appareil intérieur E Adresse 27

9. Marche d'essai

- Se reporter à la section "Marche d'essai" du manuel d'installation des appareils extérieur et intérieurs.
- Lorsque le boîtier de dérivation et une source d'alimentation extérieure sont séparés, mettez d'abord sous tension le boîtier de dérivation, puis l'unité extérieure.

• Une fois sous tension ou après un arrêt prolongé, un cliquetis provenant de l'intérieur du boîtier de dérivation se fait entendre. Le détendeur électronique s'ouvre et se ferme. L'appareil n'est pas défectueux.

- Veiller à effectuer un essai de fonctionnement en mode de refroidissement pour chaque appareil intérieur. S'assurer que chaque appareil intérieur fonctionne correctement en suivant le manuel d'installation fourni avec l'appareil.
- Si l'essai est réalisé simultanément pour tous les appareils intérieurs, il est impossible de détecter les mauvais raccordements, le cas échéant, des tuyaux de réfrigérant et des fils de raccordement des appareils extérieur/intérieurs.
- Pour vérifier toute erreur de câblage, effectuer un essai de fonctionnement pour chaque appareil intérieur individuellement.

⚠ Attention:

- **Utiliser la télécommande pour actionner l'appareil intérieur.**
- **Les symptômes suivants ne sont pas des dysfonctionnements.**

Symptôme	Cause	Affichage des LED de l'appareil intérieur *
L'appareil intérieur ne fonctionne pas, même s'il est réglé sur refroidissement (chauffage).	Le refroidissement (chauffage) ne peut pas fonctionner si le chauffage (refroidissement) d'un autre appareil intérieur fonctionne.	Veille (pour système multiple)
Le ventilateur de l'appareil intérieur s'arrête pendant le chauffage	Le ventilateur s'arrête pendant le dégivrage.	-
	Le ventilateur s'arrête lorsque le mode de collecte du réfrigérant ** est activé.	Veille (pour système multiple)

* Se reporter au mode d'emploi des appareils intérieurs pour plus de détails.

** Le mode est activé pendant environ 1 minute pour éviter d'avoir un afflux insuffisant de réfrigérant pendant le chauffage lorsque le réfrigérant est stocké dans un appareil intérieur qui a été mis hors tension ou désactivé thermiquement.

Contenido

1. Medidas de seguridad	26	6. Montaje de la Caja de Derivación	31
2. Selección del lugar de instalación	26	7. Instalación de los tubos de refrigerante	31
3. Confirmación de los accesorios suministrados	27	8. Trabajo eléctrico	33
4. Dimensiones y espacio requerido para mantenimiento y reparación de la Caja de Derivación	27	9. Prueba de funcionamiento	37
5. Tubos de refrigerante	30		

El presente manual de instalación sirve sólo para la instalación de la caja de derivación. Para instalar las unidades interiores y la unidad exterior, consulte el manual de instalación que se suministra con cada unidad.

1. Medidas de seguridad

- ▶ Antes de instalar la unidad, asegúrese de haber leído el capítulo de “Medidas de seguridad”.
- ▶ Antes de conectar el sistema, informe al servicio de suministro o pídale permiso para efectuar la conexión.

⚠ Atención:

Describe las precauciones que deben tenerse en cuenta para evitar el riesgo de lesiones o muerte del usuario.

⚠ Cuidado:

Describe las precauciones que deben tenerse en cuenta para evitar daños en la unidad.

⚠ Atención:

- La instalación del aire acondicionado debe correr a cargo del distribuidor o técnico autorizado.
- Para la instalación, siga las instrucciones del Manual de instalación y utilice las herramientas y piezas de fontanería específicamente diseñadas para utilizar con el refrigerante especificado en el manual de instalación de la unidad exterior.
- La unidad debe instalarse según las instrucciones para reducir posibles daños en caso de terremoto, huracán o vientos fuertes. Si no se instala correctamente, la unidad podría caerse y provocar daños o lesiones.
- La unidad debe instalarse firmemente sobre una estructura capaz de soportar su peso.
- Si el equipo de aire acondicionado se instala en una sala pequeña deberán tomarse medidas para prevenir que la concentración de refrigerante exceda los límites de seguridad en caso de fugas. Si se produce una fuga de refrigerante que sobrepase los límites de concentración, la estancia en la sala puede ser peligrosa por falta de oxígeno.
- Si se produce una fuga de refrigerante durante el funcionamiento, ventile la sala. Si el refrigerante entra en contacto con una llama, se desprenderán gases nocivos.
- Todas las conexiones eléctricas deberán ser realizadas por un técnico cualificado según la normativa local y las instrucciones de este manual.
- Utilice sólo cables especificados para el cableado.
- El panel de la cubierta del bloque de terminales de la unidad debe colocarse firmemente.
- Utilice sólo accesorios autorizados por Mitsubishi Electric y pida a su distribuidor o a un técnico autorizado que se los instale.
- El usuario nunca debe intentar reparar la unidad o moverla de sitio.
- Tras haber realizado la instalación, compruebe si hay fugas de refrigerante. Si en caso de fuga el refrigerante entra en contacto con las llamas de un calentador o de un equipo de cocina portátil, se desprenderán gases nocivos.
- Asegúrese de conectar los cables de alimentación y los cables de conexión a las unidades interiores, unidades exteriores y a las cajas de derivación directamente con las unidades (sin ninguna conexión intermedia). Las conexiones intermedias pueden producir errores de comunicación

Después de terminar la instalación, explique las “Medidas de Seguridad”, funcionamiento y mantenimiento de la unidad al cliente según el Manual de instrucciones y realice una prueba para asegurarse de que funciona correctamente. Entregue una copia del Manual de instalación y del Manual de instrucciones al usuario. Estos manuales deben pasar a usuarios posteriores del equipo.

⚡ : Indica una pieza que debe estar conectada a tierra.

⚠ Atención:

Lea atentamente las etiquetas adheridas a la unidad principal.

en caso de que el agua moje los cordones o los cables de conexión y, por consiguiente, la toma a tierra sea insuficiente, así como el contacto eléctrico en el punto de conexión intermedio.

⚠ Cuidado:

- Asegúrese de que los tubos de refrigerante tengan un buen material aislante para evitar la condensación. Si el aislamiento no es total, se puede producir condensación en la superficie de los tubos, humedad en el techo y en el suelo, y afectar a otros objetos.
- No utilice la unidad en un ambiente enrarecido. Si instala el aire acondicionado en áreas expuestas al vapor, aceite esencial (incluyendo el aceite para máquinas), o humo sulfúrico, áreas con alto contenido en sal como playas, el rendimiento puede verse reducido significativamente y las piezas internas pueden dañarse.
- No instale la unidad donde se puedan verter, producir, circular o acumular gases inflamables. Si se acumula gas inflamable en zonas próximas a la unidad, se podría producir un incendio o una explosión.
- Si instala la unidad en un hospital o en un centro de comunicaciones, recuerde que la unidad produce ruidos e interferencias electrónicas. Los conmutadores, aparatos domésticos, equipos médicos de alta frecuencia y las comunicaciones de radio pueden provocar un mal funcionamiento o la avería del equipo de aire acondicionado. El equipo de aire acondicionado también puede afectar los equipos médicos e interrumpir los cuidados médicos, así como los equipos de comunicación y dañar la calidad de la pantalla.
- El tubo de refrigerante debe estar aislado térmicamente para evitar la condensación. Si el tubo de refrigerante no se aísla correctamente, se formará condensación.
- Sitúe material aislante térmico en las tuberías para evitar la condensación. Si el tubo de drenaje no se instala correctamente, se puede producir un escape de agua o daños en el techo, suelo, muebles u otros objetos.
- No limpie con agua el equipo de aire acondicionado. Puede sufrir una descarga eléctrica.
- Apriete las tuercas de abocardado a los niveles especificados mediante una llave dinamométrica. Si las aprieta demasiado, se pueden romper al cabo de un tiempo.
- No desconecte el disyuntor de la caja de derivación M-NET cuando instale la unidad por debajo de -20 °C (-4°F), ya que ello podría provocar un fallo de comunicación.

2. Selección del lugar de instalación

* La caja de derivación sólo se utiliza en interiores.

- Asegúrese de que la caja de derivación se instale en un lugar que facilite su acceso para reparación y mantenimiento. (asegúrese de que el orificio de mantenimiento esté accesible y de que haya espacio suficiente para realizar estas tareas).

- No la instale cerca de dormitorios. Es posible que a veces se oiga el ruido del refrigerante que circula por los tubos.
- Asegúrese de que se instale en un lugar donde el ruido del aparato no moleste.

Después de conectar la corriente o cuando se apaga el aparato durante un momento, puede que se oiga un pequeño “clic” en el interior de la caja de derivación. La válvula de expansión electrónica se está abriendo y cerrando. La unidad no está averiada.

- Determine previamente el recorrido de los tubos de refrigerante y el cableado eléctrico.
- Asegúrese de que el lugar de instalación tenga suficiente espacio para que la longitud de los tubos del refrigerante se encuentre dentro de los límites especificados.

• No la instale en un lugar que tenga humedad y esté expuesta a temperaturas muy altas durante largos periodos de tiempo.

- A efectos de mantenimiento, asegúrese de que la caja de derivación se instale encima del techo del pasillo, cuarto de baño, etc., es decir, en lugares donde la gente no permanezca mucho tiempo (Evite instalarla en el centro de la habitación).

* Asegúrese de que la unidad se instale en un lugar que aguante su peso.

⚠ Atención:

Asegúrese de que la unidad se instale firmemente en un lugar que aguante su peso.

Si la instalación no tiene suficiente resistencia, la unidad se podría caer con el riesgo de provocar lesiones a terceros.

3. Confirmación de los accesorios suministrados

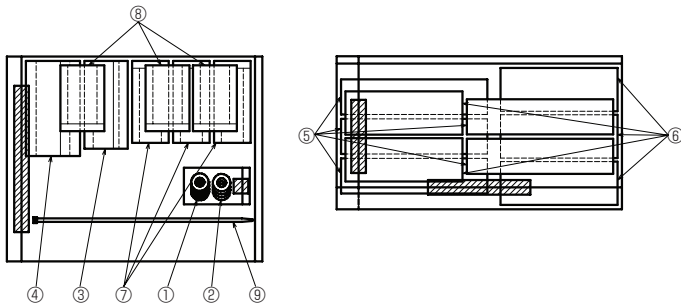


Fig. 3-1

3.1. Compruebe las piezas y accesorios de la Caja de Derivación

	Nombre del accesorio	Cantidad		
		PAC-MKA30BC	PAC-MKA50BC	
①	Arandela (con aislamiento)	4	4	
②	Arandela	4	4	
③	Cubierta de la tubería (Líquido)	1	1	A la unidad exterior
④	Cubierta de la tubería (Gas)	1	1	A la unidad exterior
⑤	Cubierta de la tubería (Líquido)	3	5	A la unidad interior
⑥	Cubierta de la tubería (Gas)	3	5	A la unidad interior
⑦	Cubierta de la unión (Líquido)	1	3	
⑧	Cubierta de la unión (Gas)	1	3	
⑨	Cinta	16	24	
⑩	Placa de conducto	1	1	Sujetada al cuerpo principal cuando se envía.

4. Dimensiones y espacio requerido para mantenimiento y reparación de la Caja de Derivación

Juntas opcionales de diámetro diferente (deformadas)

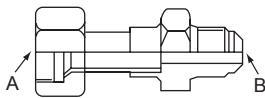


Fig. 4-1

Nombre del modelo	Diámetro de los tubos conectados pulg., mm	Diámetro A pulg., mm	Diámetro B pulg., mm
MAC-A454JP	3/8, ø9,52 → 1/2, ø12,7	3/8, ø9,52	1/2, ø12,7
MAC-A455JP	1/2, ø12,7 → 3/8, ø9,52	1/2, ø12,7	3/8, ø9,52
MAC-A456JP	1/2, ø12,7 → 5/8, ø15,88	1/2, ø12,7	5/8, ø15,88
PAC-493PI	1/4, ø6,35 → 3/8, ø9,52	1/4, ø6,35	3/8, ø9,52
PAC-SG76RJ-E	3/8, ø9,52 → 5/8, ø15,88	3/8, ø9,52	5/8, ø15,88

■ PAC-MKA50BC (de tipo 5 derivaciones)

(pulgadas)

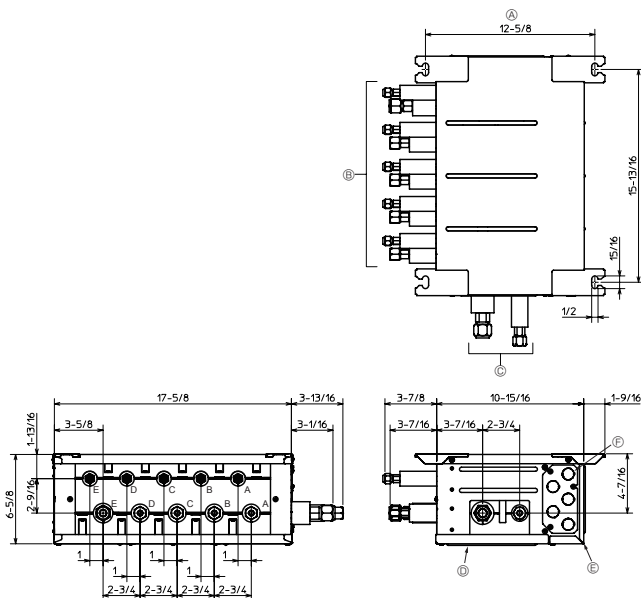


Fig. 4-2

* Conecte dos unidades interiores o más con un sistema.

* Se pueden conectar hasta 2 cajas de derivación a una unidad exterior.

* Perno de suspensión : W3/8 (M10)

* Conexión abocardada del tubo de refrigerante

* El tamaño de la conexión de los tubos varía en función del tipo y la capacidad de las unidades interiores. Haga que coincida el tamaño de la conexión de los tubos con la unidad interior y con la caja de derivación. Si el tamaño de la conexión de los tubos de la caja de derivación no coincide con el tamaño de la conexión de los tubos de la unidad interior, utilice juntas opcionales de diámetro diferente (deformadas) en el lateral de la caja de derivación. (Conecte la junta deformada directamente al lateral de la caja de derivación).

Ⓐ Paso del perno de suspensión

Ⓑ A la unidad interior

Ⓒ A la unidad exterior

Ⓓ Panel de servicio (para LEV, THERMISTOR)

Ⓔ Cubierta eléctrica

Ⓕ Placa de conducto

Ⓖ Bloque de terminales (a la unidad interior en el tablero de control)

Ⓗ Bloque de terminales (a la unidad exterior)

Ⓙ Bloque de terminales (para el cable de comunicación)

* Asegúrese de que la caja de derivación se instale tal y como se indica en el gráfico siguiente.

■ PAC-MKA50BC (Fig.4-2)

Perno de suspensión: W3/8 (M10)

Conexión abocardada del tubo de refrigerante

pulgadas, mm

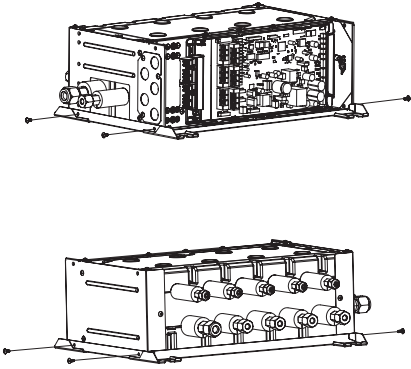
	A	B	C	D	E	A la unidad exterior
Tubo de líquido	1/4, ø6,35	1/4, ø6,35	1/4, ø6,35	1/4, ø6,35	1/4, ø6,35	3/8, ø9,52
Tubo de gas	3/8, ø9,52	3/8, ø9,52	3/8, ø9,52	3/8, ø9,52	1/2, ø12,7	5/8, ø15,88

Fórmula de conversión

1/4 F	ø6,35
3/8 F	ø9,52
1/2 F	ø12,7
5/8 F	ø15,88
3/4 F	ø19,05

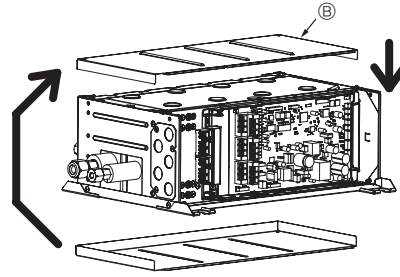
4. Dimensiones y espacio requerido para mantenimiento y reparación de la Caja de Derivación

④ Apriete los tornillos de cada una de las partes.

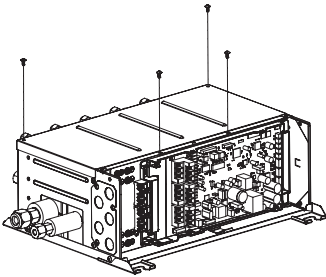


⑤ Instale el panel de servicio en la superficie opuesta.

ⓑ Panel de servicio

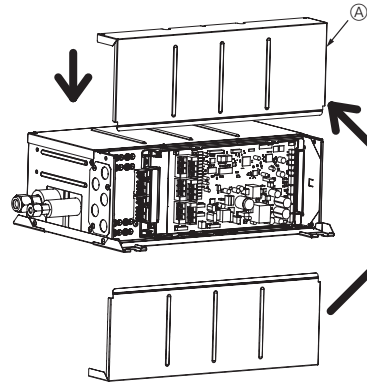


⑥ Apriete los tornillos.



⑦ Instale la cubierta eléctrica en la superficie opuesta.

Ⓐ Cubierta eléctrica



⑧ Apriete los tornillos.

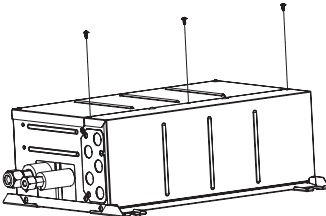


Fig. 4-5

4. Dimensiones y espacio requerido para mantenimiento y reparación de la Caja de Derivación

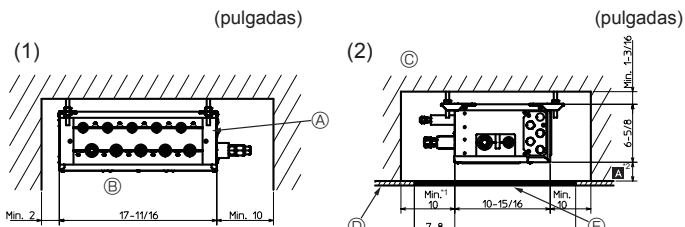


Fig. 4-6

Fig. 4-7

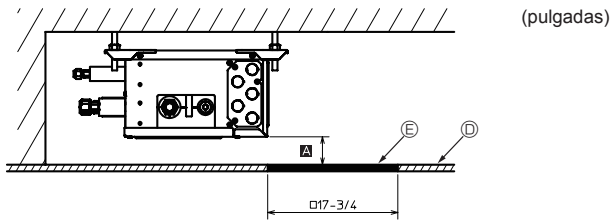


Fig. 4-8

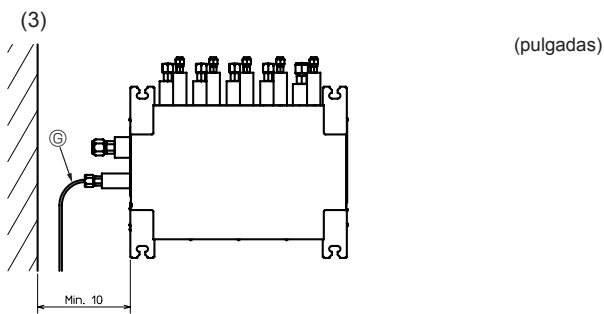


Fig. 4-9

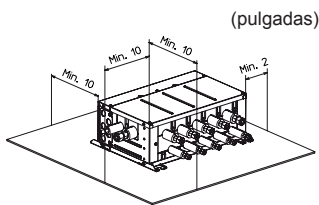


Fig. 4-10

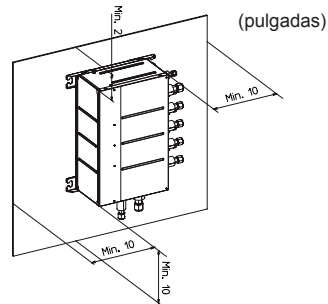


Fig. 4-11

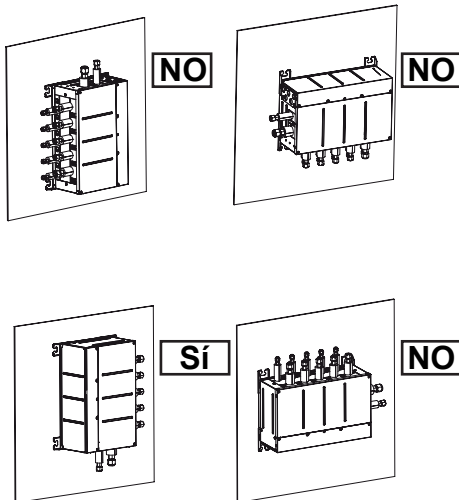


Fig. 4-12

4.2. Espacio requerido para instalación y mantenimiento

I. Espacio al realizar la instalación con los pernos de suspensión.

(1) Vista frontal (Fig. 4-6)

- Ⓐ Caja de derivación
- Ⓑ Del lado de las tuberías

(2) Vista lateral (Fig. 4-7, Fig. 4-8)

- Ⓒ Para instalaciones interiores
- Ⓓ Panel de techo
- Ⓔ Orificio de mantenimiento

*1: Para las encorvaduras de 90° en las tuberías de refrigerante se necesita un mínimo de 13-3/4 pulg. (350 mm).

***2: Ⓐ es "Mín. 7-7/8 pulg. (200 mm)" <recomendado>.**
(Premisa: La inclinación de la tubería de drenaje es asegurable en 1/100 o más. Se necesitará 7-7/8 pulg. (200 mm) o más, si no es asegurable).

En caso de que sea inferior a 7-7/8 pulg. 200 mm (por ejemplo Ⓐ es 4 pulg. (100 mm)), los trabajos de intercambio de la caja de derivación desde un orificio de mantenimiento resultan difíciles (sólo es posible realizar trabajos de intercambio de una PCB, bobinas de la válvula de expansión lineal y sensores).

***3: Ⓑ es "□ 23 - 5/8 pulg. (600 mm)" <recomendado>.**

En el caso de "□ 17-3/4 pulg. (450 mm)", prepare un orificio de mantenimiento en el lado de la PCB (tal y como se muestra en la Fig. 4-8), y se necesitará "Mín. 11-13/16 pulg. (300 mm)" como distancia Ⓐ.

En caso de que sea inferior a 11-13/16 pulg. (300 mm) (por ejemplo Ⓐ es 4 pulg. (100 mm)), los trabajos de intercambio de la caja de derivación, bobinas de la válvula de expansión lineal y sensores desde el orificio de mantenimiento resultarán difíciles (sólo es posible realizar trabajos de intercambio de una PCB).

(3) Vista superior (Fig. 4-9)

- Ⓒ Tubos de refrigerante

II. Espacio requerido al instalar en el suelo. (Fig. 4-10)

III. Espacio requerido al instalar en una pared. (Fig. 4-11)

La dirección de instalación está limitada cuando se instala en una pared. (Fig. 4-12)

Cuando instale la unidad en la pared, instale los tubos conectados a la unidad exterior cara abajo. Otras formas de instalación no son aceptables.

5. Tubos de refrigerante

* Cumpla sistemáticamente con las especificaciones que figuran en el manual de instalación de la unidad exterior. Si sobrepasa las especificaciones indicadas, puede que disminuya el rendimiento del equipo y no funcione correctamente.

6. Montaje de la Caja de Derivación

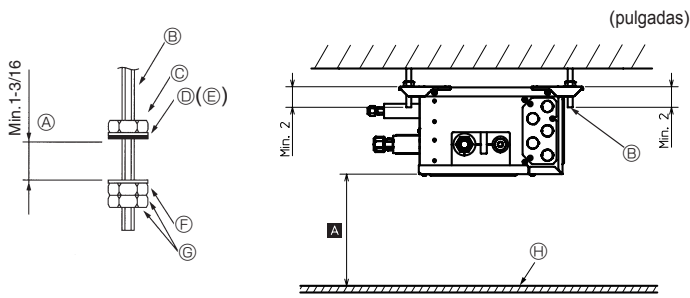


Fig. 6-1

- (1) Instale los pernos de suspensión (adquiridos localmente) con la separación especificada (Fig. 4-2, 4-3).
- (2) Fije las arandelas y tuercas (①, ②, adquiridas localmente) a los pernos de suspensión. (Fig. 6-1)
- (3) Cuelgue la unidad de los pernos de suspensión.
- (4) Apriete completamente las tuercas (compruebe la altura del techo).
- (5) Utilice un nivel para alinear la caja de derivación horizontalmente.

- A Cuando la unidad esté colgada y las tuercas fijadas
 B Perno de suspensión
 C Tuercas
 D Arandela (con cojinete) ①
 E Asegúrese de que el cojinete esté hacia abajo
 F Arandela (sin cojinete) ②
 G Tuerca (adquirida localmente)
 H Panel de techo

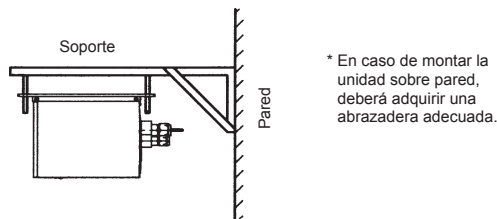
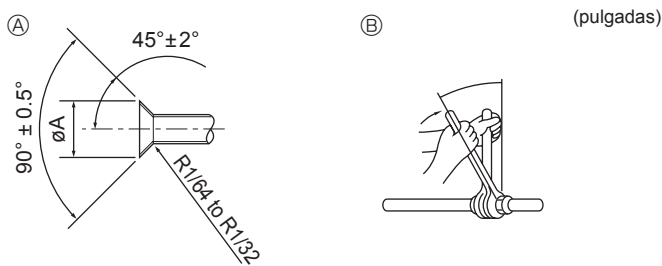


Fig. 6-2

* En caso de montar la unidad sobre pared, deberá adquirir una abrazadera adecuada.

7. Instalación de los tubos de refrigerante



- A Dimensiones del corte abocinado
 B Torsión de apriete de la tuerca abocardada

- A Dimensiones del corte abocinado

Tubo de cobre O.D.	Dimensiones de abocinado dimensiones øA
ø6,35 (1/4)	8,7-9,1 (11/32-23/64)
ø9,52 (3/8)	12,8-13,2 (1/2-33/64)
ø12,7 (1/2)	16,2-16,6 (41/64-21/32)
ø15,88 (5/8)	19,3-19,7 (49/64-25/32)

- B Torsión de apriete de la tuerca abocardada

Tubo de cobre O.D. (mm (pulg.))	Tuerca de abocardado O.D. (mm (pulg.))	Torsión de apriete (N•m (ft•lbs))
ø6,35 (1/4)	17 (43/64)	14-18 (10-13)
ø6,35 (1/4)	22 (7/8)	34-42 (25-30)
ø9,52 (3/8)	22 (7/8)	34-42 (25-30)
ø12,7 (1/2)	26 (1-3/64)	49-61 (35-44)
ø12,7 (1/2)	29 (1-9/64)	68-82 (49-59)
ø15,88 (5/8)	29 (1-9/64)	68-82 (49-59)
ø15,88 (5/8)	36 (1-27/64)	100-120 (71-87)

- ▶ Conecte los tubos de líquido y de gas de cada unidad interior a los mismos números de conexiones finales que se indican en la sección de conexión abocardada de la unidad interior de cada Caja de Derivación. Si se conecta a los números equivocados de las conexiones finales, no funcionará normalmente.

- ▶ Cuando conecte las unidades interiores, asegúrese de conectar los tubos de refrigerante y los cables de conexión a los puertos de conexión adecuados indicados con las letras correspondientes. (Ej.: A, B, C, D, E)

Nota:

Asegúrese de marcar todos los tubos de refrigerantes locales (tubos de líquido, tubos de gas, etc.) de cada unidad interior designando claramente a qué habitación pertenece. (Ej.: A, B, C, D, E)

- ▶ Anote los nombres de modelo de las unidades en la placa indicadora del cuadro de control de la Caja de Derivación (a efectos de identificación).

- Proporcione suficiente aislamiento y protección contra la condensación para evitar goteos de agua en la tubería de refrigeración. (tubería de líquido/tubería de gas)
- Incremente el aislamiento en función del entorno en el que está instalada la tubería de refrigeración, ya que podría producirse condensación en la superficie del material de aislamiento. (Material aislante Resistencia al calor: 120 °C [248 °F], Grosor: 15 mm [19/32 inch] o más)
- * Cuando la tubería de refrigerante se utiliza en ubicaciones con temperaturas elevadas y altos niveles de humedad (por ejemplo, en áticos), es posible que se requiera un mayor aislamiento.
- Para aislar la tubería de refrigerante, aplique espuma de polietileno resistente al calor entre la unidad interior y el material aislante, así como en la malla entre el material de aislamiento, rellenando todos los huecos. (La condensación en la tubería podría ocasionar condensación en la habitación o provocar quemaduras al tocarla).
- ▶ Si utiliza los tubos de refrigerante convencionales, asegúrese de que tanto los tubos de líquido como de gas están envueltos en materiales térmicos aislantes comercialmente disponibles (deben ser materiales aislantes de un espesor mínimo de 1/2 pulg. (12 mm) y resistentes a temperaturas superiores a los 212 °F, 100 °C).
- ▶ Consulte el manual de instalación de la unidad exterior cuando quiera purgar el aire, y para abrir y cerrar las válvulas.
- (1) Retire las tuercas abocardadas y las tapas de la caja de derivación.
- (2) Proceda a abocardar los extremos de la tuberías de líquido y de gas y aplique aceite de refrigeración (adquirido localmente) a la superficie abocardada. No aplique aceite en la parte roscada.
- (3) Conecte inmediatamente los tubos de refrigerante. Apriete siempre las tuercas abocardadas según la torsión que se indique en la tabla 2; para ello, utilice una llave dinamométrica y llave doble.
- (4) Presione las cubiertas de los tubos ③ y ⑤ de la tubería de líquido contra la unidad y envuélvala para que se fije. (Fig. 7-3)
- (5) Presione las cubiertas de los tubos ④ y ⑥ de la tubería de gas contra la unidad y envuélvala para que se fije. (Fig. 7-3)
- (6) Aplique las cintas suministradas ⑨ en una posición de 7/16-13/16 pulg. (10 - 20 mm) de cada extremo de las cubiertas de los tubos (③ ④ ⑤ ⑥).
- (7) Si la unidad interior no está conectada, ajuste las cubiertas de los tubos que se suministran (con las tapas ⑦ y ⑧) en las conexiones de los tubos de refrigerante de la caja de derivación contra la unidad para evitar el goteo de condensación de los tubos. (Fig. 7-4)
- (8) Fije las cubiertas de los tubos (⑦ ⑧) con las cintas ⑨ suministradas.

7. Instalación de los tubos de refrigerante

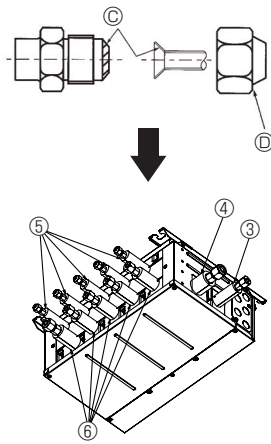


Fig. 7-2

⚠ Cuidado:

Apriete la tuerca abocardada con una llave dinamométrica según el método indicado.

Si la aprieta excesivamente puede que la tuerca se resquebraje y provoque con el tiempo un goteo de agua.

Ⓢ Aplique aceite de refrigeración a la totalidad de la superficie abocardada (Fig. 7-2).

Ⓣ Básicamente, utilice tuercas abocardadas que se puedan adaptar (las tuercas abocardadas comercialmente disponibles pueden resquebrajarse).

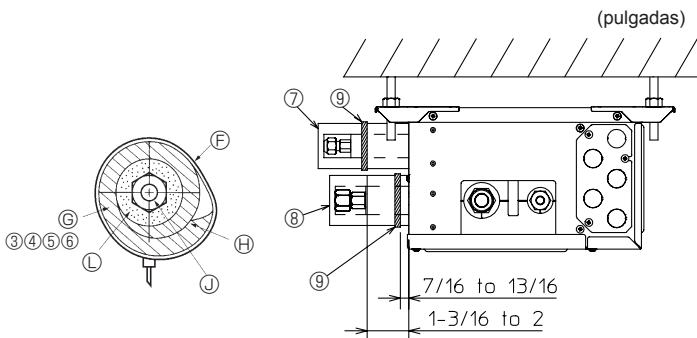


Fig. 7-3

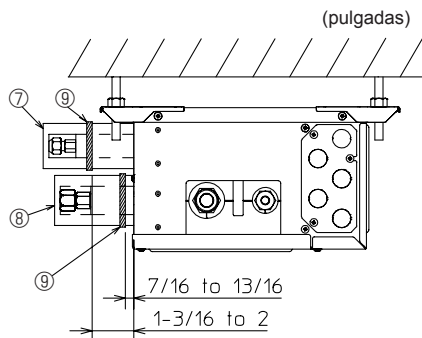


Fig. 7-4

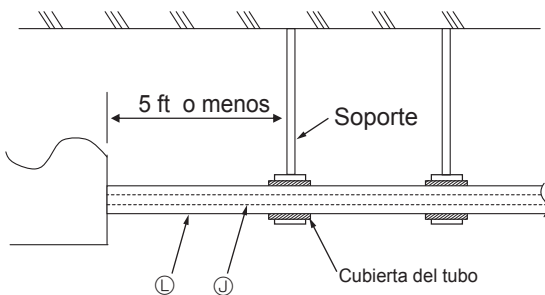


Fig. 7-5

Nota:

Será necesario utilizar una tuerca abocardada especial (opcional o conectada a la unidad interior) para algunas unidades interiores.

Para obtener información detallada, consulte el manual de instalación de la unidad exterior y de la unidad interior.

- Ⓢ Cinta Ⓢ
- Ⓣ Cubiertas de los tubos Ⓣ Ⓞ Ⓟ Ⓠ
- Ⓢ Apretar
- Ⓣ Tubo de refrigerante
- Ⓦ Material térmico aislante para tubo de refrigerante

► Utilice los siguientes procedimientos para la parte de conexión interior cuando la unidad interior no está conectada. (Fig. 7-4)

- (1) Para evitar fugas de refrigerante, asegúrese de que las tuercas abocardadas están apretadas según los pares* especificados en la tabla 3.
* El refrigerante también puede salir si las tuercas se aprietan más de lo especificado en los pares.
- (2) Para evitar la condensación, instale las cubiertas de las tuberías Ⓣ Ⓞ contra la unidad y apriételas con las cintas suministradas Ⓢ.

Tabla 3

Diámetros de las aberturas de la caja de derivación para conectar las unidades interiores (pulg.,mm)	Par de torsión (ft•lbs, N•m)
1/4, ø6,35	8-11, 13 ± 2
3/8, ø9,52	21-24, 30 ± 2
1/2, ø12,7	35-38, 50 ± 2

► Carga de refrigerante:

Consulte el manual de instalación de la unidad exterior.

Utilice sólo el refrigerante R410A (la utilización de otro tipo de refrigerantes puede generar problemas).

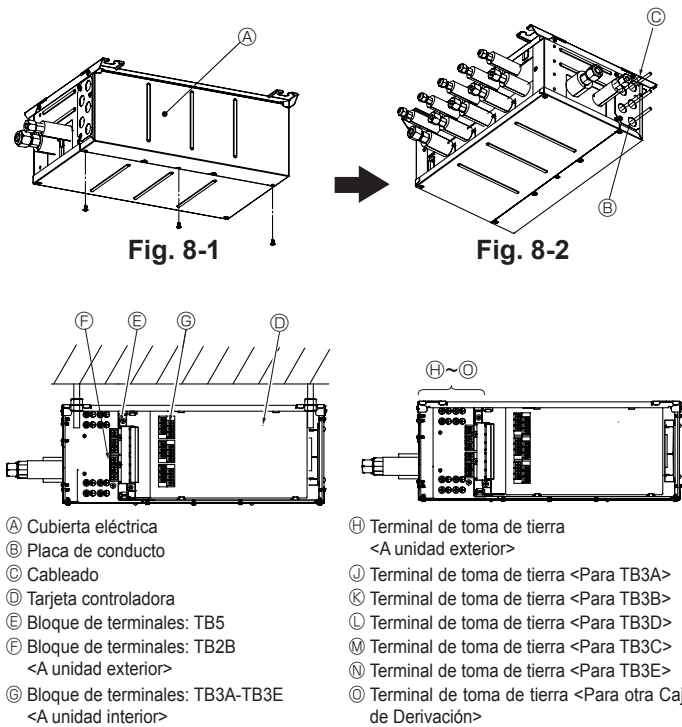
⚠ Cuidado:

Para evitar ejercer demasiada presión en la caja de derivación, refuerce los tubos con uno o más soportes situados a 5 ft (1,5 m) o menos de la caja de derivación.

Tome la Fig. 7-5 como referencia.

- Ⓣ Tubo de refrigerante
- Ⓦ Material térmico aislante para tubo de refrigerante

8. Trabajo eléctrico



► Precauciones con el tendido eléctrico.

⚠ Atención:

- Utilice siempre circuitos exclusivos con disyuntores y con el voltaje nominal. Los circuitos de alimentación que no tengan la capacidad suficiente y que no hayan sido instalados adecuadamente, pueden provocar descargas eléctricas o incendios.

⚠ Cuidado:

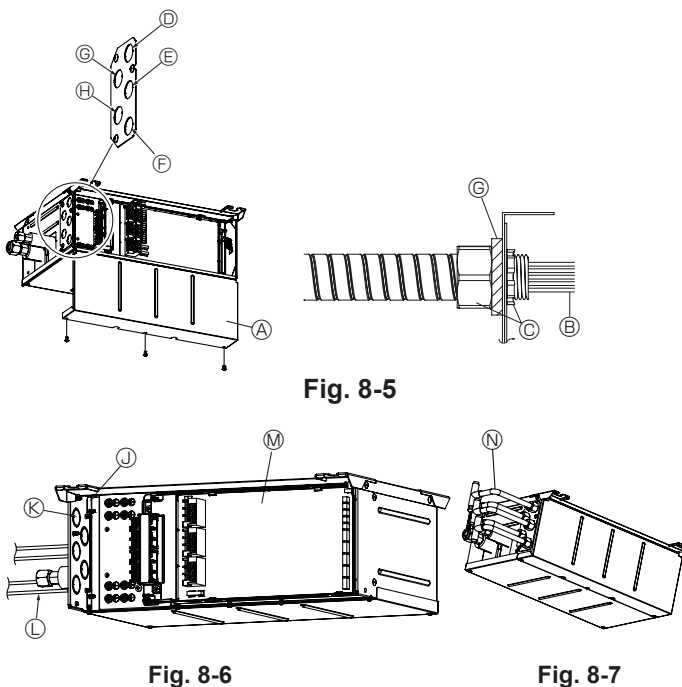
- Asegúrese de instalar una toma de tierra. La derivación a tierra de la unidad no debe conectarse a la red pública, pararrayos o toma a tierra de líneas telefónicas. Una puesta a tierra incompleta podría provocar descargas eléctricas. Un sobrevoltaje resultante de un rayo o de otras fuentes podría dañar el aparato.
- Utilice el cableado eléctrico que se especifica, y asegúrese de que esté conectado correctamente y no estén sujetos a una tensión inadecuada. Si no se cumplen estos requisitos, se podría producir una rotura de los cables, un exceso de calentamiento o un incendio.
- Asegúrese de ajustar los interruptores antes de encender la caja de derivación.
- Para encender, encienda primero la caja de derivación y luego la unidad exterior, en ese orden. (Cuando la caja de derivación y la unidad exterior tengan fuentes de alimentación independientes.)
- El cableado que conecta la caja de derivación con la unidad exterior, y la caja de derivación con las unidades interiores, funciona como alimentación eléctrica y como cable para señalización. Conecte este cableado conforme a los números de los bloques de terminales para garantizar que la polaridad sea la correcta.
- Asegúrese de que se conecten los tubos de refrigerante y el cableado eléctrico correctos a cada unidad interior. Si el cableado no fuese el adecuado, entorpecería el buen funcionamiento de la unidad.

► **Conecte los tubos de refrigerante y los cables de conexión a los puertos correspondientes marcados con las letras coincidentes (Ej.: A, B, C, D, E) de esta unidad.**

- En primer lugar, conecte el cable de alimentación de la unidad exterior.
- Instale cada cable de puesta a tierra por separado con un tornillo de puesta a tierra.
- Para evitar que el cableado instalado en el techo sea mordido por roedores, etc., se deberá instalar en un conducto de cables.
 1. Retire la cubierta eléctrica. (Fig. 8-1)
 2. Retire la cubierta de conducto.
 3. Introduzca el cableado en la caja de derivación a través de la placa de conducto y fíjelo con la placa de conducto. (Consulte el 8.1)
 4. Conecte firmemente cada cable al bloque de terminales pertinente. (Fig. 8-9)
 5. Ajuste el interruptor DIP. (Consulte el 8.3)
 6. Vuelva a colocar la cubierta eléctrica.

8.1. Cuando se utiliza un conducto de cableado (Fig. 8-5, 6, 7)

Una vez que instale el conducto de cableado, vuelva a colocar la cubierta horizontal.



⚠ Cuidado:

- Cuando instale la placa de conducto **I**, corte sólo los orificios ciegos que son necesarios para los cables **B**. Al cortar orificios ciegos innecesarios se pueden provocar daños debidos a la invasión de pequeños animales y similares.
- Cuando se corten los agujeros ciegos en la placa de conducto, prevenga que no se produzca deformación ni distorsión en la placa. Asimismo, cuando instale la placa de conducto, prevenga que no exista un espacio entre la placa y los tubos de conducto ni los agujeros de conducto, de lo contrario puede provocar el fallo de la tarjeta controladora debido a la invasión de animalillos o insectos. (Fig. 8-6)

- Para dividir el cableado de cada bloque de terminales en 2 derivaciones fuera de la caja de la rama, el uso de conducto de cables de dos derivaciones **N**. (Fig. 8-7)

⚠ Cuidado:

Para evitar ejercer demasiada presión en la caja de derivación, refuerce el tubo conductor **L** con uno o más soportes a 5 ft (1,5 m) o menos de la caja de derivación.

Tome la Fig. 8-8 como referencia.

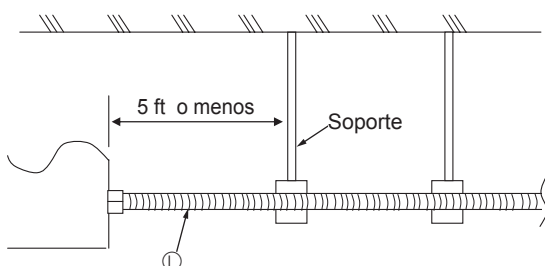


Fig. 8-8

8. Trabajo eléctrico

■ Suministre alimentación de forma separada a la caja de derivación y a la unidad exterior

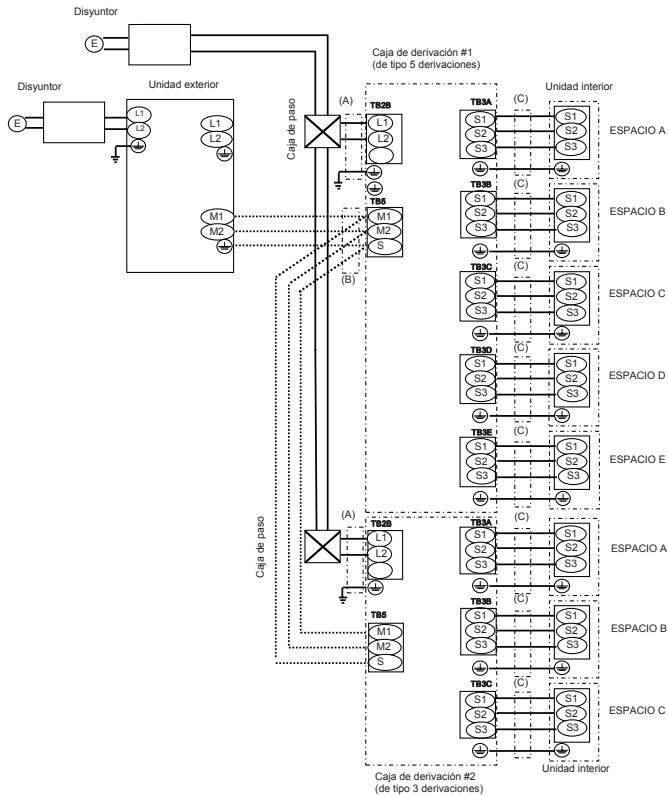
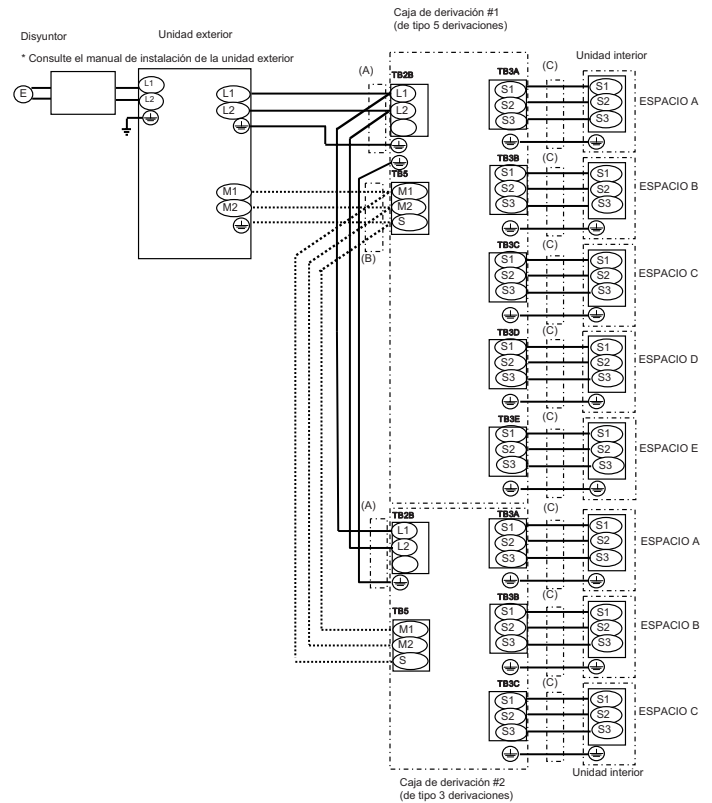


Fig. 8-9

8.2. Procedimiento de cableado exterior (Fig. 8-9, Fig. 8-10)

■ Fuente de alimentación de la unidad exterior



Ⓒ Fuente de alimentación: 208/230 V, 60 Hz

Nota:

- ① Conecte las líneas (B), (C) según los nombres de los bloques de terminales para asegurar que la polaridad sea la correcta.
- ② En cuanto a las líneas (C), S1 y S2 sirven para conectar la fuente de alimentación. Y S2 y S3 sirven para señalización. S2 es un cable común para alimentación y señalización.

Diámetro del cable		
(A) Línea eléctrica principal/Línea de tierra	(B) Cable M-NET Cable apantallado CVVS o CPEVS	(C) Línea de señal/Línea de tierra
2,1 mm ² (AWG14)	1,25 mm ² (AWG16) Menos de 200m	1,25 mm ² (AWG16) Menos de 25 m

Se requiere un terminal redondo cuando se utiliza cable de par trenzado.

- Notas:**
1. El diámetro de los cables debe cumplir la normativa local y nacional.
 2. Los cables de la fuente de alimentación y los cables de conexión de la unidad interior/caja de derivación/unidad exterior no deben ser más ligeros que el cable flexible forrado de policloropreno. (Diseño 60245 IEC 57)
 3. Instale una línea de tierra más larga que los cables de alimentación.
 4. No ate el cable M-NET con el cable de conexión y el cable de alimentación. Puede causar un funcionamiento erróneo.

⚠ Advertencia:

No empalme nunca el cable, ya que ello podría provocar humo, un incendio o un error de comunicación.

Caja de derivación (de tipo 5 derivaciones)

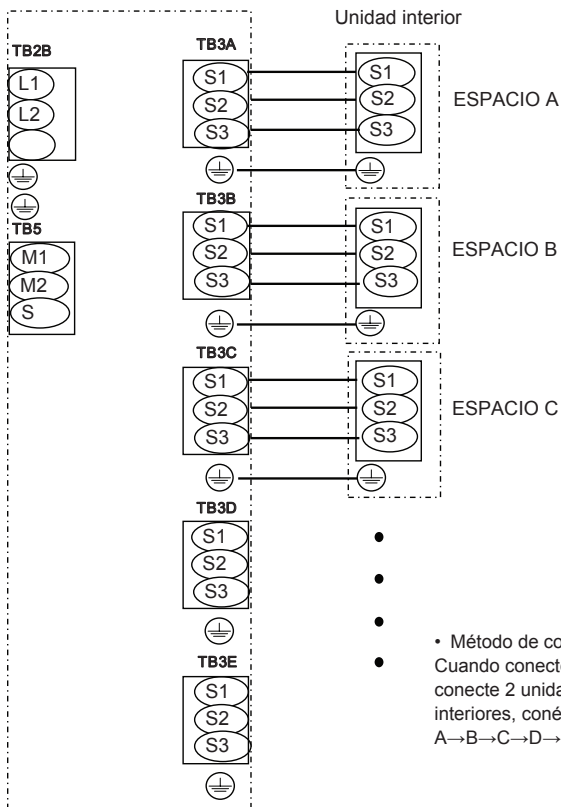


Fig. 8-10

- Método de conexión recomendado
- Cuando conecte una unidad interior a la caja de derivación, conéctela a TB3A. Cuando conecte 2 unidades interiores, conéctelas a TB3A y TB3B. Cuando conecte 3 unidades interiores, conéctelas a TB3A, TB3B y TB3C. Conecte las unidades interiores en el orden A→B→C→D→E.

8. Trabajo eléctrico

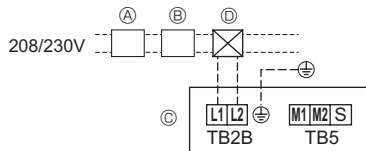


Fig. 8-11

■ Cableado de alimentación (Suministre alimentación de forma separada a la caja de derivación y a la unidad exterior)

- Instale un cable de tierra más largo que los demás cables.
- Los cables de la fuente de alimentación del aparato eléctrico no deben ser más ligeros que el diseño 245 IEC 57, 227 IEC 57, 245 IEC 53 o 227 IEC 53.
- La instalación del aire acondicionado debe proporcionar un interruptor con un mínimo de 3 mm (1/8 inch) de separación entre los contactos de cada polo.

[Fig. 8-11]

- Ⓐ Interruptor de falta de tierra
- Ⓑ Interruptor local/Interruptor de cableado
- Ⓒ Caja de derivación
- Ⓓ Caja de paso

Corriente operativa total de la unidad interior	Grosor mínimo de cable (mm ² /AWG)					Interruptor para cableado (NFB)	Interruptor de falta de tierra *1
	Cable principal	Ramal	Tierra	Capacidad	Fusible		
F0 = 15 A o menos *2	2,1/14	2,1/14	2,1/14	15	15	15	Sensibilidad de corriente de 15 A *3
F0 = 20 A o menos *2	3,3/12	3,3/12	3,3/12	20	20	20	Sensibilidad de corriente de 20 A *3
F0 = 30 A o menos *2	5,3/10	5,3/10	5,3/10	30	30	30	Sensibilidad de corriente de 30 A *3

Aplicase el IEC61000-3-3 para la impedancia máx. admitida en el sistema.

*1 El interruptor de falta de tierra debería ser compatible con el circuito del inversor.

El interruptor de falta de tierra debería emplear un interruptor local o un interruptor de cableado.

*2 Emplee el mayor de F1 o F2 como valor de F0.

F1 = corriente máxima operativa total de las unidades interiores × 1,2

F2 = (V1/C)

Caja de derivación		V1	V2
Tipo 1	SEZ-KD•NA, PLA-A•BA	19,8	2,4
Tipo 2	PEAD-A•AA, MVZ-A•AA	26,9	
Tipo 3	MSZ-FE•NA	9,9	
Tipo 4	MSZ-FH•NA, MSZ-GE•NA	6,8	
Tipo 5	SLZ-KA•NA	3,5	
Tipo 6	MFZ-KA•NA	16,2	
Tipo 7	Caja de derivación (PAC-MKA•BC)	5,1	

C: Múltiplo de la corriente de activación en un tiempo de activación de 0,01 s

Por favor, calcule la variable "C" en función del grado de activación del interruptor.

*Caja de derivación condicional × 2 + SEZ-KD•NA × 5, C=8 (véase el gráfico de la derecha)

F2 = 5,1 × 2/8 + 19,8 × 5/8

= 14,9

→ Disyuntor de 16 A (corriente de activación = 8 × 16 A a 0,01 s)

*3 La sensibilidad de corriente se calcula mediante la siguiente fórmula.

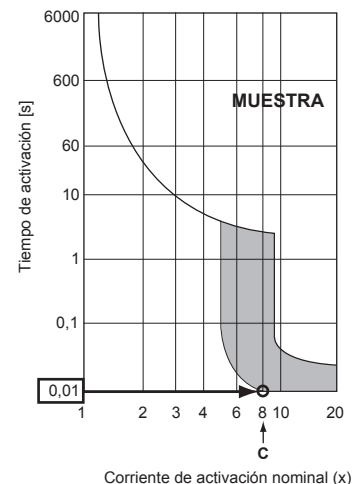
G1 = V2 + V3 × (longitud del cable[km])

G1	Sensibilidad de corriente
30 o menos	30 mA 0,1 s o menos
100 o menos	100 mA 0,1 s o menos

Grosor de cable (mm ² /AWG)	V3
2,1/14	48
3,3/12	56
5,3/10	66

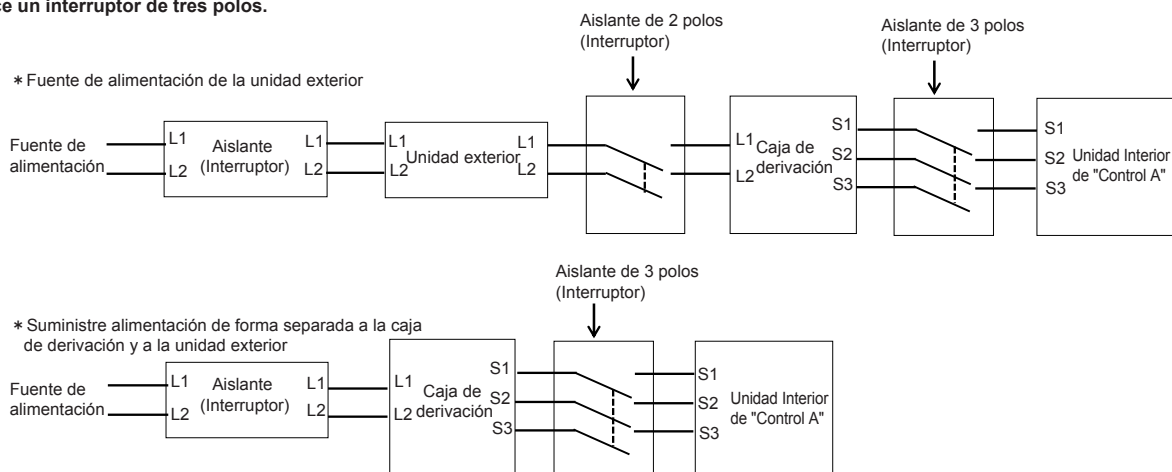
	V2
Unidad interior	2,4
Caja de derivación	3,0

Gráfico de muestra



⚠ Atención:

Si realiza el cableado de control A, el terminal S3 presentará potencial de alto voltaje debido al diseño del circuito eléctrico, que no tendrá aislamiento eléctrico entre la línea de alimentación y la línea de señal de comunicación. Por lo tanto, desconecte la fuente de alimentación principal antes de realizar el mantenimiento. Y nunca toque los terminales S1, S2 ni S3 mientras esté conectada la alimentación. Si es necesario aislar la unidad exterior de la caja de derivación/unidad interior, utilice un interruptor de tres polos.

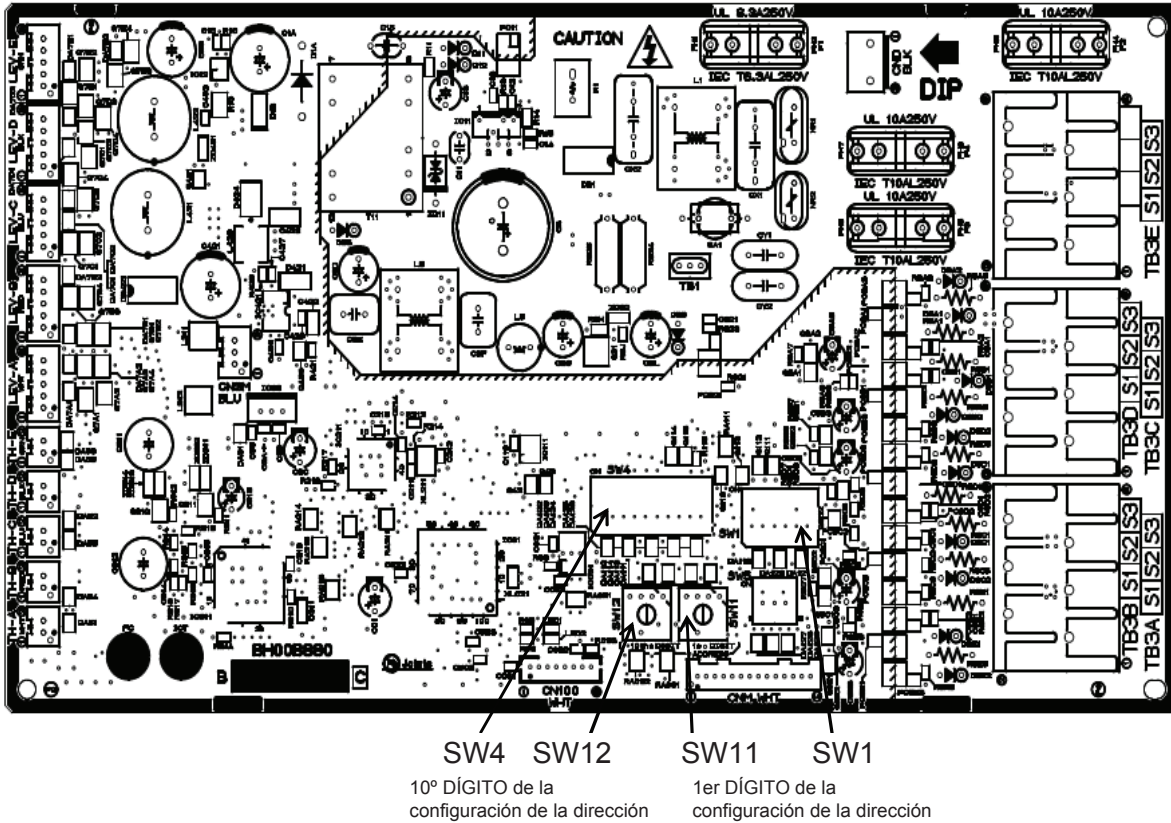


⚠ Cuidado:

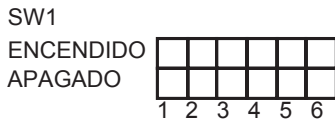
Cuando termine de utilizar el aislante, asegúrese de apagar y volver a encender la alimentación principal para reiniciar el sistema. De lo contrario, es posible que la unidad exterior no pueda detectar la caja o cajas de derivación ni las unidades interiores.

8. Trabajo eléctrico

8.3. Posición del interruptor



Configuración del interruptor DIP (efectivo únicamente antes de encender)



Unidad interior A
 Unidad interior B
 Unidad interior C
 Unidad interior D
 Unidad interior E
 No asignado

Interruptor	APAGADO	ENCENDIDO
SW1-1	No	Sí
SW1-2	No	Sí
SW1-3	No	Sí
SW1-4	No	Sí
SW1-5	No	Sí
SW1-6		

Interruptor de dirección (efectivo únicamente antes de encender)

La configuración de la dirección de la unidad interior varía en los diferentes sistemas. Consulte el manual de instalación de la unidad exterior para obtener información sobre cómo configurar la dirección.

Cada dirección se ajusta configurando de forma combinada el 1er y el 10º dígito.

(Ejemplo)

- Para ajustar la dirección en "3", ajuste el 1er dígito en 3 y el 10º dígito en 0.
- Para ajustar la dirección en "25", ajuste el 1er dígito en 5 y el 10º dígito en 2.

(Ejemplo)

- Al ajustar la dirección de la caja de derivación en "3", se asigna una dirección a cada unidad interior empezando por la unidad A como se muestra a continuación, sin importar si cada unidad interior está conectada.

(Interruptor 1-1 a 5 encendido)

Unidad interior A Dirección 3
 Unidad interior B Dirección 4
 Unidad interior C Dirección 5
 Unidad interior D Dirección 6
 Unidad interior E Dirección 7

- Cuando la dirección se ajusta en "25" y además se conectan 3 unidades interiores (unidad A, unidad C y unidad E). (Interruptor 1-1, 1-3 y 1-5 encendido)

Unidad interior A Dirección 25
 Unidad interior C Dirección 26
 Unidad interior E Dirección 27

9. Prueba de funcionamiento

- Consulte la sección "Prueba de funcionamiento" del manual de instalación de las unidades interiores y de la unidad exterior.
- Cuando la caja de derivación y la unidad exterior tengan fuentes de alimentación independientes, encienda primero la caja de derivación y luego la unidad exterior.

• Después de conectar la corriente o cuando se apaga el aparato durante un momento, puede que se oiga un pequeño "clic" en el interior de la caja de derivación. La válvula de expansión electrónica se está abriendo y cerrando. La unidad no está averiada.

- Asegúrese de realizar la prueba de funcionamiento en modo de refrigeración en cada una de las unidades interiores. Compruebe que cada unidad interior funcione correctamente siguiendo el manual de instalación incluido con la unidad.
- If you perform the test run for all indoor units at once, you cannot detect any erroneous connection, if any, of the refrigerant pipes and the indoor/outdoor unit connecting wires.
- Para detectar un posible cableado incorrecto, realice la prueba de funcionamiento de forma individual en cada una de las unidades interiores.

⚠ Precaución:

- **Utilice el mando a distancia para accionar la unidad interior.**
- **Los síntomas siguientes no son indicativos de un mal funcionamiento.**

Síntoma	Causa	Indicador LED de la unidad interior*
La unidad interior no funciona cuando se ajusta en modo de refrigeración (calefacción)	El funcionamiento en modo de refrigeración (calefacción) no está disponible cuando hay otra unidad interior funcionando en modo de calefacción (refrigeración).	En espera (para sistema múltiple)
El ventilador de la unidad interior se para durante el funcionamiento en modo de calefacción	El ventilador se detiene durante la descongelación.	-
	El ventilador se detiene cuando el modo de recogida de refrigerante** está activado.	En espera (para sistema múltiple)

* Consulte el manual de instrucciones de las unidades interiores para obtener más información.

** Este modo se activa durante aproximadamente 1 minuto para evitar un suministro insuficiente de refrigerante durante el funcionamiento en modo de calefacción, cuando el refrigerante está almacenado en una unidad interior que se ha apagado o está en termo-off.

This product is designed and intended for use in the residential,
commercial and light-industrial environment.

Please be sure to put the contact address/telephone number on
this manual before handing it to the customer.