

PARTS CATALOG

<Outdoor unit>

[Model Name]

[Service Ref.]

MXZ-SM36NAM

MXZ-SM36NAM-U1

MXZ-SM48NAM

MXZ-SM48NAM-U1

MXZ-SM60NAM

MXZ-SM60NAM-U1

MXZ-SM36NAMHZ

MXZ-SM36NAMHZ-U1

MXZ-SM42NAMHZ

MXZ-SM42NAMHZ-U1

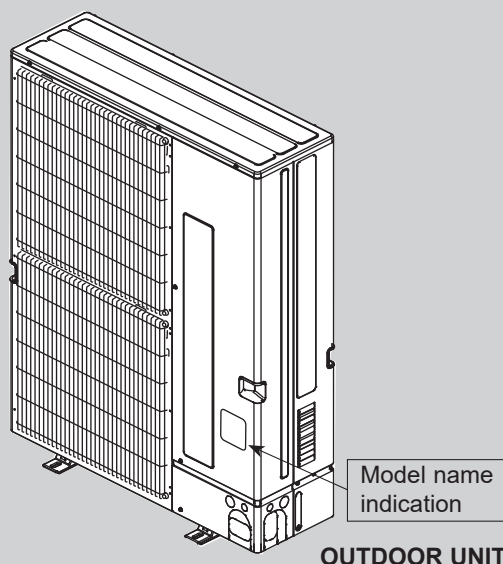
MXZ-SM48NAMHZ

MXZ-SM48NAMHZ-U1

Revision:

- Parts No. of side panel (R) and service panel have been updated in REVISED EDITION-A.

OCB789 is void.



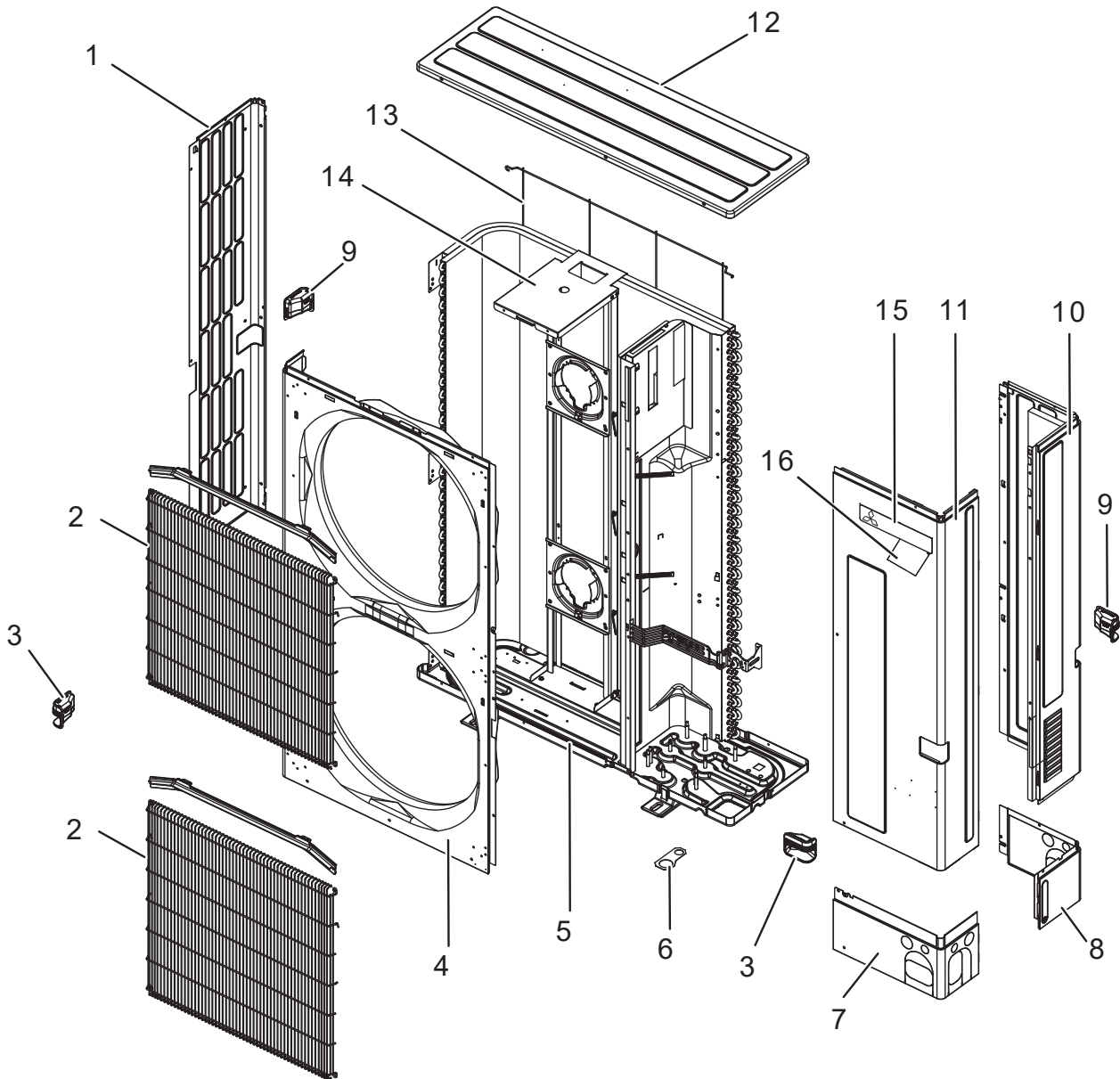
CONTENTS

1. SERVICE PARTS LIST 2
2. OPTIONAL PARTS 10

SERVICE MANUAL (OCH789)

STRUCTURAL PARTS

MXZ-SM36NAM-U1
 MXZ-SM48NAM-U1
 MXZ-SM60NAM-U1
 MXZ-SM36NAMHZ-U1
 MXZ-SM42NAMHZ-U1
 MXZ-SM48NAMHZ-U1

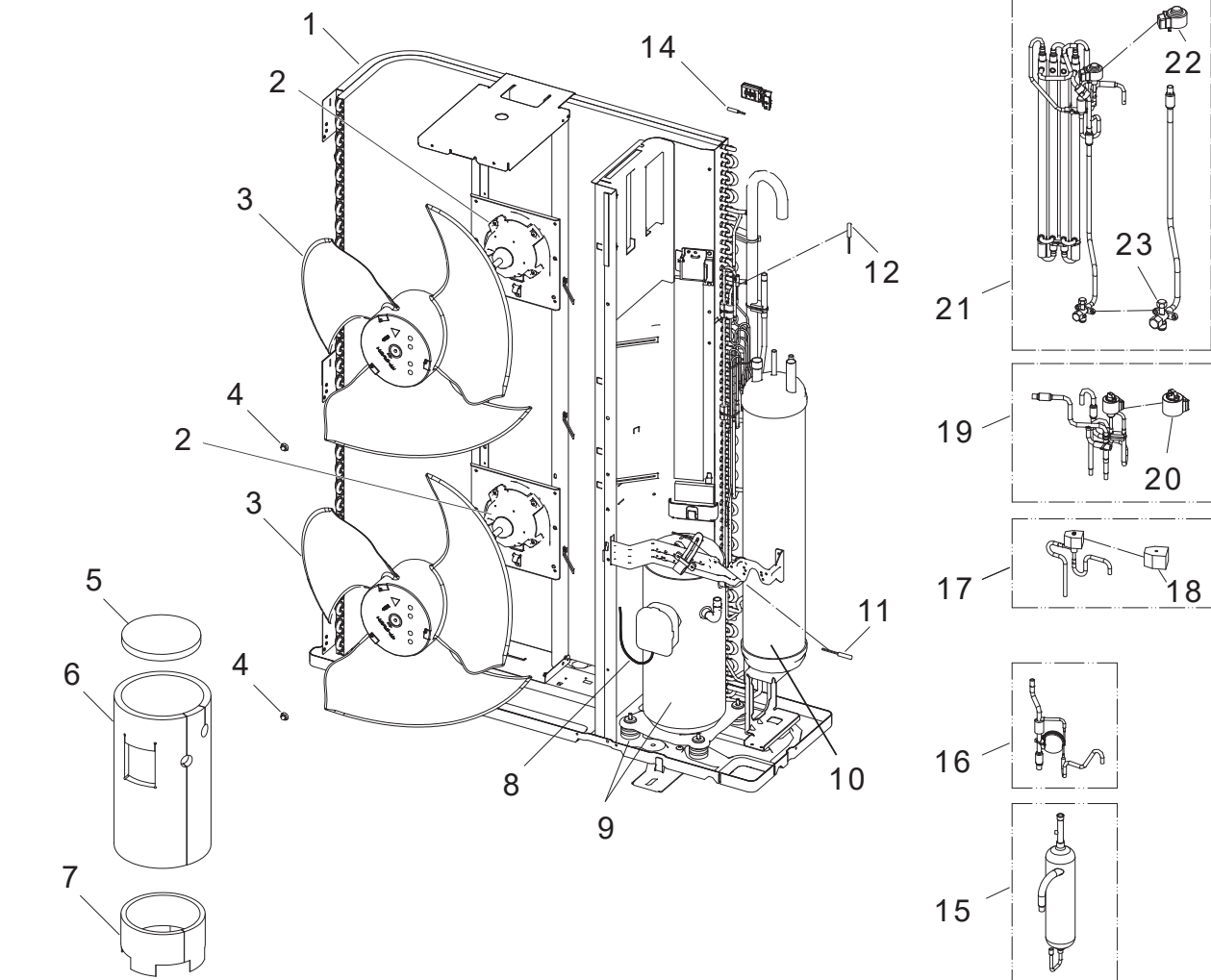
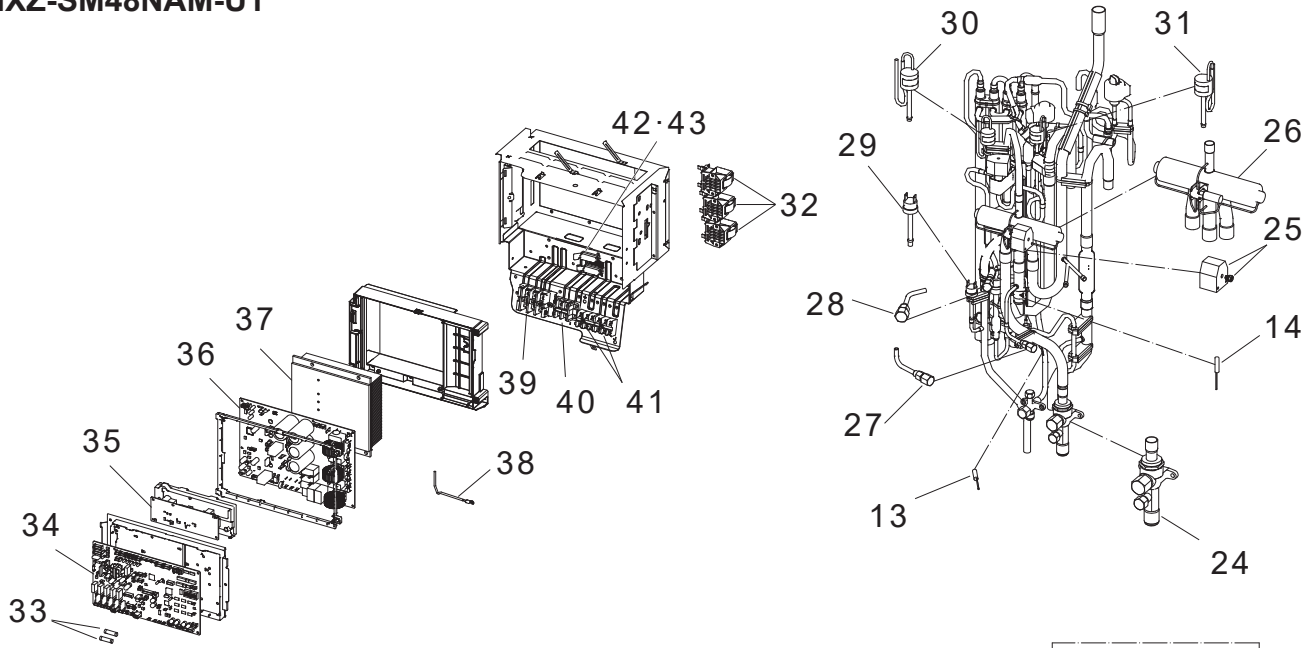


1. The part quantity below indicates the required number of pieces per unit.
2. The circled No. indicates that the part is not shown in the figure.

No.	Parts No.	Parts Name	MXZ-SM36NAM-U1	MXZ-SM48NAM-U1	MXZ-SM60NAM-U1	MXZ-SM36NAMHZ-U1	MXZ-SM42NAMHZ-U1	MXZ-SM48NAMHZ-U1	Remarks
1	R 0 1 E 3 0 6 6 2	SIDE PANEL (L)	1	1	1	1	1	1	
2	R 0 1 E 7 3 6 9 1	WIRE GRILLE	2	2	2	2	2	2	
3	R 0 1 E 0 5 6 5 5	HANDLE (FRONT)	2	2	2	2	2	2	
4	R 0 1 E 2 3 6 6 8	FRONT PANEL	1	1	1	1	1	1	
5	T 7 W E 3 5 6 8 6	BASE ASSY	1	1	1	1	1	1	
6	T 7 W E 0 5 6 1 7	CONDUIT PLATE	1	1	1	1	1	1	
7	R 0 1 E 3 5 6 5 8	COVER PANEL (FRONT)	1	1	1	1	1	1	
8	R 0 1 E 3 6 6 5 8	COVER PANEL (REAR)	1	1	1	1	1	1	
9	R 0 1 E 0 6 6 5 5	HANDLE (REAR)	2	2	2	2	2	2	
10	R 0 1 E 8 1 6 6 1	SIDE PANEL (R)	1	1					
10	R 0 1 E 7 4 6 6 1	SIDE PANEL (R)			1	1	1	1	
11	T 7 W E 2 8 6 6 8	SERVICE PANEL	1	1					
11	T 7 W E 2 4 6 6 8	SERVICE PANEL			1	1	1	1	
12	R 0 1 E 3 6 6 4 1	TOP PANEL	1	1	1	1	1	1	
13	R 0 1 E 1 0 6 9 8	REAR GUARD	1	1	1	1	1	1	
14	R 0 1 E 5 9 1 3 0	MOTOR SUPPORT	1	1		1	1	1	
14	R 0 1 E 6 0 1 3 0	MOTOR SUPPORT			1				
15	T 7 W B 0 3 0 0 5	BRAND LABEL/SM	1	1	1	1	1	1	
16	T 7 W A 1 0 0 0 5	LABEL (H2I)				1	1	1	

FUNCTIONAL PARTS

MXZ-SM36NAM-U1
MXZ-SM48NAM-U1

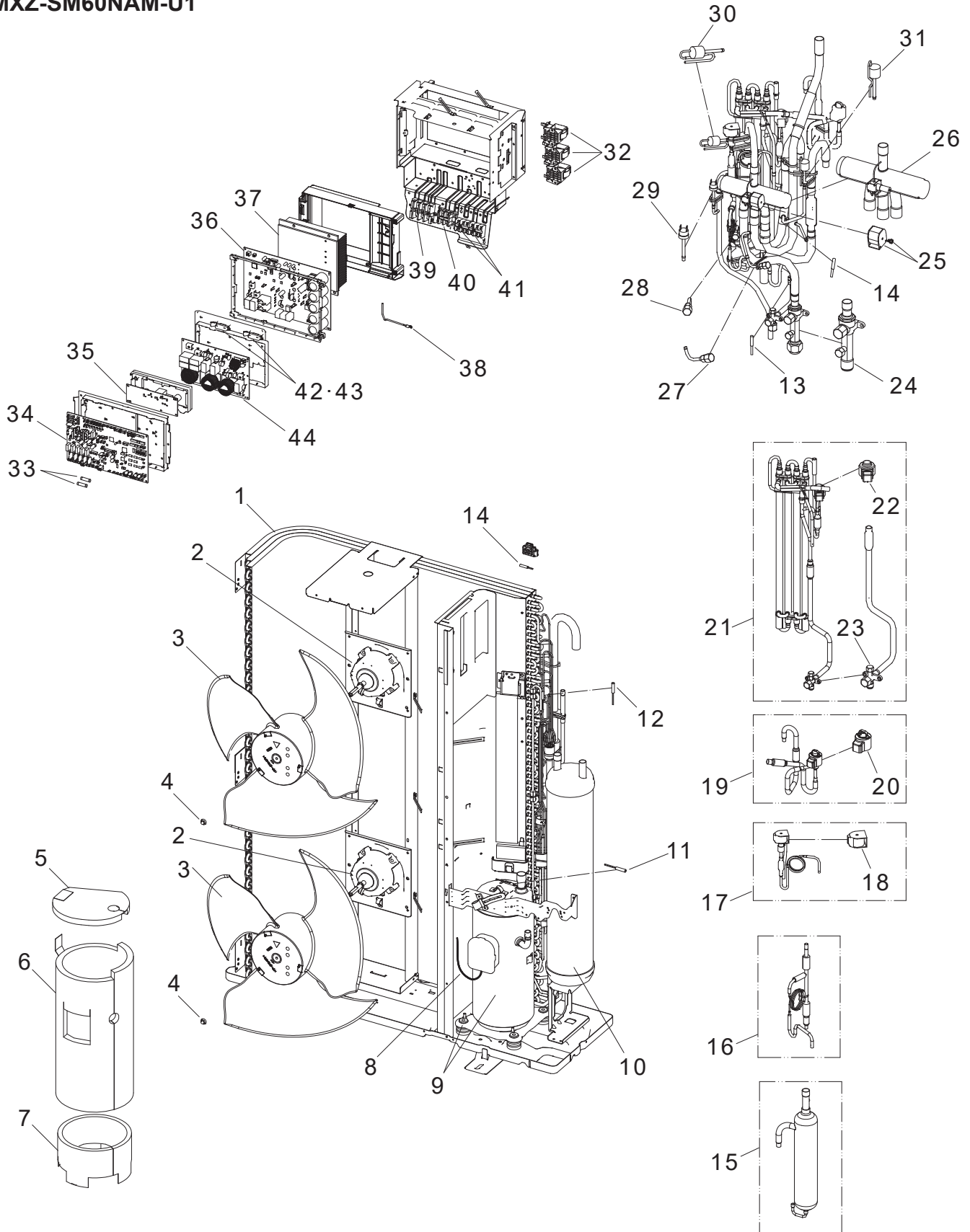


1. The part quantity below indicates the required number of pieces per unit.
2. The circled No. indicates that the part is not shown in the figure.

No.	Parts No.	Parts Name	MXZ-SM36NAM-U1	MXZ-SM48NAM-U1	Wiring Diagram Symbol	Remarks
1	R 0 1 R 6 5 4 0 8	HEAT EXCHANGER	1	1		
2	T 7 W A 1 0 2 2 1	FAN MOTOR	2	2	MF1, MF2	
3	R 0 1 E 1 6 1 1 5	PROPELLER FAN/D550	2	2		
4	R 0 1 E 1 6 0 9 7	CAP NUT (MEC) M6	2	2		
5	R 0 1 A 5 7 6 0 2	COMP FELT (TOP)	1	1		
6	T 7 W B 0 4 6 0 2	COMP FELT-B/ANB33FN	1	1		
7	R 0 1 U 0 0 6 0 2	COMP FELT-U/ANB	1	1		
8	R 0 1 C 1 1 5 1 0	LEAD ASSY COMP	1	1		
9	T 9 7 4 7 7 0 7 7	COMPRESSOR	1	1	MC	ANB33FNHMT Includes RUBBER MOUNT
10	R 0 1 E 8 1 4 4 0	ACCUMULATOR	1	1		
11	R 0 1 E 3 6 2 0 1	THERMISTOR/SHELL	1	1	TH4 (Compressor)	
12	R 0 1 H 8 7 2 0 2	THERMISTOR	1	1	TH3 (Outdoor Liquid Pipe)	
13	R 0 1 M 3 0 2 0 2	THERMISTOR	1	1	TH2 (HIC Pipe)	
14	R 0 1 M 3 1 2 0 2	THERMISTOR W	1	1	TH6 (Suction Pipe) TH7 (Ambient)	Combined Port
15	R 0 1 E 1 6 4 9 0	OIL SEPARATOR	1	1		
16	R 0 1 E 0 2 4 2 6	CT ASSY	1	1		
17	T 7 W E 1 1 4 2 8	SV1 ASSY	1	1	SV1	
18	T 7 W E 9 1 2 4 2	SOLENOID COIL (SV)	1	1	SV1	Includes SCREW
19	R 0 1 R 2 7 4 0 1	LEV ASSY-A	1	1	LEV-A	
20	R 0 1 H R 1 2 4 2	COIL (LEV)/XAP-5P WH	1	1	LEV-A	
21	T 7 W B 0 7 4 0 1	HIC & LEV-B ASSY	1	1	LEV-B	
22	R 0 1 H 5 8 2 4 2	COIL (LEV)/XAP-5P RED	1	1	LEV-B	
23	T 7 W E 1 5 4 1 0	STOP VALVE ASSY-3/8F	1	1		3/8
24	T 7 W E 1 1 4 1 1	BALL VALVE & STRAINER	1	1		5/8
25	T 7 W F 0 0 2 4 2	SOLENOID COIL (21S4)	1	1	21S4	Includes SCREW
26	R 0 1 E 4 0 4 0 3	4WAY VALVE	1	1	21S4	
27	T 7 W E 1 3 4 1 3	CHARGE PLUG/LB54	1	1		Lo
28	R 0 1 E 1 2 4 1 3	CHARGE PLUG/LB90	1	1		Hi
29	T 7 W E 1 5 2 0 8	H. P. SWITCH UL4.14MPA	1	1	63H	
30	R 0 1 E 1 4 2 0 8	H. P. SENSOR	1	1	63HS	
31	R 0 1 E 0 4 2 0 9	LOW PRESSURE SENSOR	1	1	63LS	
32	R 0 1 E 5 6 2 5 9	REACTOR	3	3	DCL	
33	R 0 1 E 1 4 2 3 9	FUSE 6.3A 250V	2	2	F1, F2	6.3 A 250 V
34	R 0 1 M 1 1 3 5 0	CONTROLLER BOARD	1	1	MULTI.B.	
35	R 0 1 E 0 7 3 1 1	M-NET POWER BOARD	1	1	M-NET P.B.	
36	R 0 1 M 0 5 3 5 3	POWER BOARD	1	1	P.B.	
37	R 0 1 A 2 2 3 7 1	HEAT SINK	1	1		Includes SCREWS
38	R 0 1 M 1 3 2 0 2	THERMISTOR (HS)	1	1	TH8 (Heat Sink)	
39	T 7 W 6 0 3 2 4 6	T.B./L1.L2.GR	1	1	TB1	3P (L1, L2, GR)
40	T 7 W E 5 7 7 1 6	T.B./B1.B2	1	1	TB1B	2P (B1, B2)
41	R 0 1 E 2 7 2 4 6	T.B./M1.M2.S	2	2	TB3, TB7	3P (M1, M2, S)
42	R 0 1 E 2 0 2 3 9	FUSE 20 A 250 V	2	2	FUSE1, 2	20 A 250 V
43	R 0 1 3 0 L 2 4 1	FUSE HOLDER	2	2		

FUNCTIONAL PARTS

MXZ-SM60NAM-U1

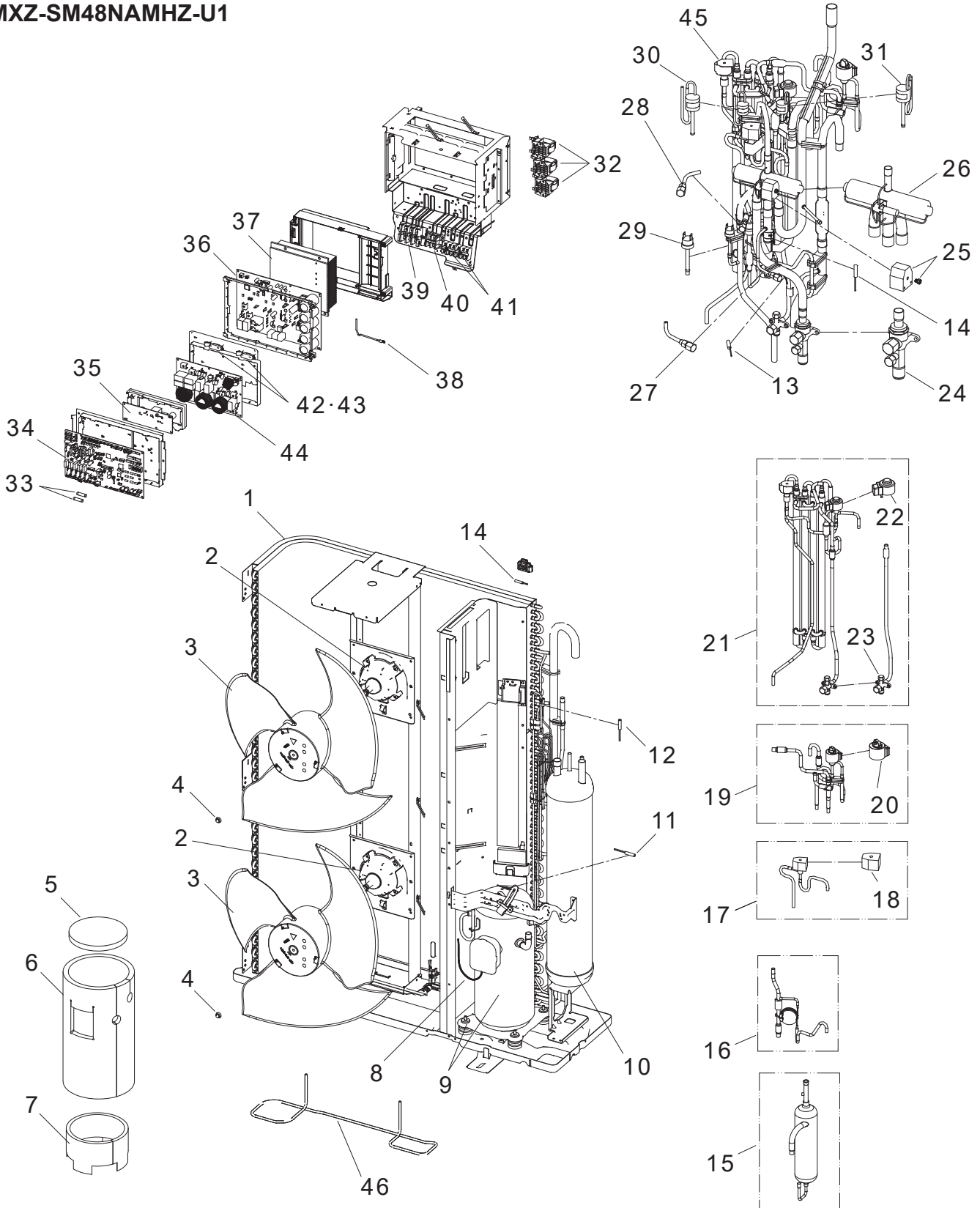


1. The part quantity below indicates the required number of pieces per unit.
2. The circled No. indicates that the part is not shown in the figure.

No.	Parts No.	Parts Name	MXZ-SM60NAM-U1	Wiring Diagram Symbol	Remarks
1	R 0 1 H 6 6 4 0 8	HEAT EXCHANGER	1		
2	T 7 W A 1 2 2 2 1	FAN MOTOR	2	MF1, MF2	
3	R 0 1 E 1 6 1 1 5	PROPELLER FAN/D550	2		
4	R 0 1 E 1 6 0 9 7	CAP NUT (MEC) M6	2		
5	R 0 1 T 1 1 6 0 2	COMP FELT-TOP/ANB	1		
6	T 7 W B 0 5 6 0 2	COMP FELT-B/ANB52	1		
7	R 0 1 U 0 0 6 0 2	COMP FELT-U/ANB	1		
8	R 0 1 C 1 2 5 1 0	LEAD ASSY COMP	1		
9	T 9 7 4 7 9 0 7 7	COMPRESSOR	1	MC	ANB52FYDMT Includes RUBBER MOUNT
10	R 0 1 H 6 7 4 4 0	ACCUMULATOR	1		
11	R 0 1 E 3 6 2 0 1	THERMISTOR/SHELL	1	TH4 (Compressor)	
12	R 0 1 H 8 7 2 0 2	THERMISTOR	1	TH3 (Outdoor Liquid Pipe)	
13	R 0 1 M 3 0 2 0 2	THERMISTOR	1	TH2 (HIC Pipe)	
14	R 0 1 M 3 1 2 0 2	THERMISTOR W	1	TH6 (Suction Pipe) TH7 (Ambient)	Combined Port
15	R 0 1 E 1 4 4 9 0	OIL SEPARATOR	1		
16	R 0 1 C 0 0 4 2 6	CT ASSY	1		
17	T 7 W E 1 2 4 2 8	SV1 ASSY	1	SV1	
18	T 7 W E 9 1 2 4 2	SOLENOID COIL (SV)	1	SV1	Includes SCREW
19	T 7 W H 6 1 4 0 1	LEV ASSY-A/C-HIC	1	LEV-A	
20	R 0 1 H 3 9 2 4 2	COIL (LEV)/XAP-5P WH	1	LEV-A	
21	T 7 W B 0 8 4 0 1	HIC & LEV-B ASSY	1	LEV-B	
22	R 0 1 H 5 8 2 4 2	COIL (LEV)/XAP-5P RED	1	LEV-B	
23	T 7 W E 1 6 4 1 0	STOP VALVE ASSY-3/8F	1		3/8
24	T 7 W E 1 3 4 1 1	BALL VALVE & STRAINER	1		3/4
25	T 7 W F 0 0 2 4 2	SOLENOID COIL (21S4)	1	21S4	Includes SCREW
26	T 7 W E 0 9 4 0 3	4WAY VALVE	1	21S4	
27	R 0 1 E 1 2 4 1 3	CHARGE PLUG/LB90	1		Lo
28	R 0 1 E 1 2 4 1 3	CHARGE PLUG/LB90	1		Hi
29	T 7 W E 1 5 2 0 8	H. P. SWITCH UL4.14MPA	1	63H	
30	R 0 1 E 1 4 2 0 8	H. P. SENSOR	1	63HS	
31	R 0 1 E 0 4 2 0 9	LOW PRESSURE SENSOR	1	63LS	
32	R 0 1 E 5 6 2 5 9	REACTOR	3	DCL	
33	R 0 1 E 1 4 2 3 9	FUSE 6.3A 250V	2	F1, F2	6.3 A 250 V
34	T 7 W M 2 9 3 1 5	CONTROLLER BOARD	1	MULTI.B.	
35	R 0 1 E 0 7 3 1 1	M-NET POWER BOARD	1	M-NET P.B.	
36	T 7 W M 0 1 3 2 3	POWER BOARD	1	P.B.	
37	R 0 1 A 2 3 3 7 1	HEAT SINK	1		Includes SCREWS
38	R 0 1 M 1 6 2 0 2	THERMISTOR (HS)	1	TH8 (Heat Sink)	
39	T 7 W 6 0 3 2 4 6	T.B./L1.L2.GR	1	TB1	3P (L1, L2, GR)
40	T 7 W E 5 7 7 1 6	T.B./B1.B2	1	TB1B	2P (B1.B2)
41	R 0 1 E 2 7 2 4 6	T.B./M1.M2.S	2	TB3, TB7	3P (M1, M2, S)
42	R 0 1 E 2 0 2 3 9	FUSE 20 A 250 V	2	FUSE1, 2	20 A 250 V
43	R 0 1 3 0 L 2 4 1	FUSE HOLDER	2		
44	T 7 W E 3 9 3 4 6	NOISE FILTER	1	N.F.	

FUNCTIONAL PARTS

MXZ-SM36NAMHZ-U1
 MXZ-SM42NAMHZ-U1
 MXZ-SM48NAMHZ-U1



1. The part quantity below indicates the required number of pieces per unit.
2. The circled No. indicates that the part is not shown in the figure.

No.	Parts No.	Parts Name	MXZ-SM36NAMHZ-U1	MXZ-SM42NAMHZ-U1	MXZ-SM48NAMHZ-U1	Wiring Diagram Symbol	Remarks
1	R 0 1 R 6 5 4 0 8	HEAT EXCHANGER	1	1	1		
2	T 7 W A 1 0 2 2 1	FAN MOTOR	2	2	2	MF1, MF2	
3	R 0 1 E 1 6 1 1 5	PROPELLER FAN/D550	2	2	2		
4	R 0 1 E 1 6 0 9 7	CAP NUT (MEC) M6	2	2	2		
5	R 0 1 A 5 7 6 0 2	COMP FELT (TOP)	1	1	1		
6	T 7 W B 0 3 6 0 2	COMP FELT-B/ANB33FJ	1	1	1		
7	R 0 1 U 0 0 6 0 2	COMP FELT-U/ANB	1	1	1		
8	R 0 1 C 1 3 5 1 0	LEAD ASSY COMP	1	1	1		
9	T 9 7 4 4 3 0 7 7	COMPRESSOR	1	1	1	MC	ANB33FJSMT Includes RUBBER MOUNT
10	R 0 1 E 8 1 4 4 0	ACCUMULATOR	1	1	1		
11	R 0 1 E 3 6 2 0 1	THERMISTOR/SHELL	1	1	1	TH4 (Compressor)	
12	R 0 1 H 8 7 2 0 2	THERMISTOR	1	1	1	TH3 (Outdoor Liquid Pipe)	
13	R 0 1 M 3 0 2 0 2	THERMISTOR	1	1	1	TH2 (HIC Pipe)	
14	R 0 1 M 3 1 2 0 2	THERMISTOR W	1	1	1	TH6 (Suction Pipe) TH7 (Ambient)	Combined Port
15	R 0 1 E 1 6 4 9 0	OIL SEPARATOR	1	1	1		
16	R 0 1 E 0 2 4 2 6	CT ASSY	1	1	1		
17	T 7 W E 1 1 4 2 8	SV1 ASSY	1	1	1	SV1	
18	T 7 W E 9 1 2 4 2	SOLENOID COIL (SV)	1	1	1	SV1	Includes SCREW
19	R 0 1 R 2 7 4 0 1	LEV ASSY-A	1	1	1	LEV-A	
20	R 0 1 H R 1 2 4 2	COIL (LEV)/XAP-5P WH	1	1	1	LEV-A	
21	T 7 W B 0 9 4 0 1	HIC & LEV-B ASSY	1	1	1	LEV-B	
22	R 0 1 H 5 8 2 4 2	COIL (LEV)/XAP-5P RED	1	1	1	LEV-B	
23	T 7 W E 1 5 4 1 0	STOP VALVE ASSY-3/8F	1	1	1		3/8
24	T 7 W E 1 1 4 1 1	BALL VALVE & STRAINER	1	1	1		5/8
25	T 7 W F 0 0 2 4 2	SOLENOID COIL (21S4)	1	1	1	21S4	Includes SCREW
26	R 0 1 E 4 0 4 0 3	4WAY VALVE	1	1	1	21S4	
27	T 7 W E 1 3 4 1 3	CHARGE PLUG/LB54	1	1	1		Lo
28	R 0 1 E 1 2 4 1 3	CHARGE PLUG/LB90	1	1	1		Hi
29	T 7 W E 1 5 2 0 8	H. P. SWITCH UL4.14MPA	1	1	1	63H	
30	R 0 1 E 1 4 2 0 8	H. P. SENSOR	1	1	1	63HS	
31	R 0 1 E 0 4 2 0 9	LOW PRESSURE SENSOR	1	1	1	63LS	
32	R 0 1 E 5 6 2 5 9	REACTOR	3	3	3	DCL	
33	R 0 1 E 1 4 2 3 9	FUSE 6.3A 250V	2	2	2	F1, F2	6.3 A 250 V
34	R 0 1 M 1 1 3 5 0	CONTROLLER BOARD	1	1	1	MULTI.B.	
35	R 0 1 E 0 7 3 1 1	M-NET POWER BOARD	1	1	1	M-NET P.B.	
36	T 7 W M 0 1 3 2 3	POWER BOARD	1	1	1	P.B.	
37	R 0 1 A 2 3 3 7 1	HEAT SINK	1	1	1		Includes SCREWS
38	R 0 1 M 1 6 2 0 2	THERMISTOR (HS)	1	1	1	TH8 (Heat Sink)	
39	T 7 W 6 0 3 2 4 6	T.B./L1.L2.GR	1	1	1	TB1	3P (L1, L2, GR)
40	T 7 W E 5 7 7 1 6	T.B./B1.B2	1	1	1	TB1B	2P (B1, B2)
41	R 0 1 E 2 7 2 4 6	T.B./M1.M2.S	2	2	2	TB3, TB7	3P (M1, M2, S)
42	R 0 1 E 2 0 2 3 9	FUSE 20 A 250 V	2	2	2	FUSE1, 2	20 A 250 V
43	R 0 1 3 0 L 2 4 1	FUSE HOLDER	2	2	2		
44	T 7 W E 3 9 3 4 6	NOISE FILTER	1	1	1	N.F.	
45	T 7 W E 7 2 2 4 2	SOLENOID COIL (SV)	1	1	1	SV2	Includes SCREW
46	T 7 W B 0 3 3 0 0	BASE HEATER	1	1	1	BH, THP	

2

OPTIONAL PARTS

Parts name	Parts No.
AIR OUTLET GUIDE*1	PAC-SH96SG-E
DRAIN SOCKET *2	PAC-SG61DS-E
CENTRALIZED DRAIN PAN*2	PAC-SH97DP-E
DEFROST HEATER	PAC-SJ20BH-E
2 BRANCH PIPE (Joint)	CMY-Y62-G-E
4 BRANCH PIPE (Joint)	CMY-Y64-G-E
8 BRANCH PIPE (Joint)	CMY-Y68-G-E
JOINT PIPE (Unit → Extension pipe)	MAC-A454JP-E (ø3/8 [9.52] → ø1/2 [12.7])
	PAC-SG76RJ-E (ø3/8 [9.52] → ø5/8 [15.88])
	PAC-SG75RJ-E (ø5/8 [15.88] → ø3/4 [19.05])*3
	PAC-493PI (ø1/4 [6.35] → ø3/8 [9.52])
	MAC-A456JP-E (ø1/2 [12.7] → ø5/8 [15.88])
EXTERNAL LEV BOX	PAC-SG95LE-E

*1: Need 2 pieces

*2: Only for MXZ-SM36/48/60NAM model

It can not be used with DEFROST HEATER.

*3: Only for MXZ-SM60

MITSUBISHI ELECTRIC CORPORATION

HEAD OFFICE: TOKYO BUILDING, 2-7-3, MARUNOUCHI, CHIYODA-KU, TOKYO 100-8310, JAPAN

©Copyright 2021 MITSUBISHI ELECTRIC CORPORATION
 Issued: Jul. 2022 No. OCB789 REVISED EDITION-A
 Published: Nov. 2021 No. OCB789
 Made in Japan

Specifications are subject to change without notice.