

Revision E:

• MSZ-GL06/09/12/15NA-**U2** and
MSY-GL09/12/15NA-**U2** have been
added.

OBB732 REVISED EDITION-D is void.

INDOOR UNIT

**No. OBB732
REVISED EDITION-E**

PARTS CATALOG

Models

MSZ-GL06NA - **U1**, **U2**

MSZ-GL09NA - **U1**, **U2**

MSZ-GL12NA - **U1**, **U2**

MSZ-GL15NA - **U1**, **U2**

MSZ-GL18NA - **U1**

MSZ-GL24NA - **U1**

MSY-GL09NA - **U1**, **U2**

MSY-GL12NA - **U1**, **U2**

MSY-GL15NA - **U1**, **U2**

MSY-GL18NA - **U1**

MSY-GL24NA - **U1**



**MSZ-GL18NA
MSY-GL18NA**



CONTENTS

| | |
|--------------------------------|---|
| 1. SERVICE PARTS LIST | 2 |
| SERVICE MANUAL (OBH732) | |

Revision A:

- MSZ-GL06/09/12/15NA-[U1] and MSY-GL09/12/15NA-[U1] have been added.

Revision B:

- Electronic control P.C. boards for MSZ-GL06/09/12/15NA-[U1], have been changed.

Revision C:

- Indoor heat exchanger for MSZ-GL06/09/12/15/18/24NA-[U1] and MSY-GL09/12/15/18/24NA-[U1] have been changed.

Revision D:

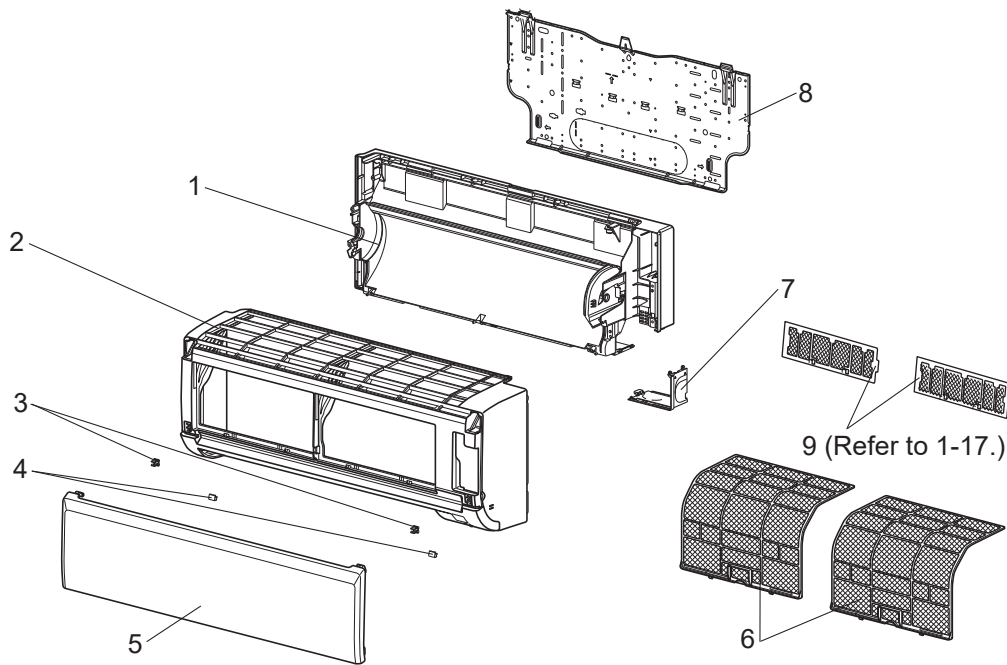
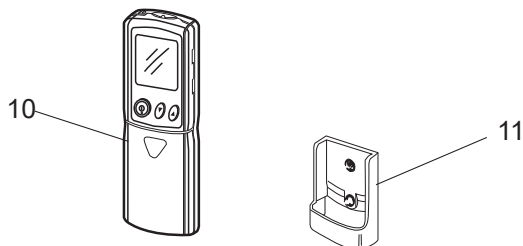
- Some descriptions have been modified.

Revision E:

- MSZ-GL06/09/12/15NA-[U2] and MSY-GL09/12/15NA-[U2] have been added.

1**SERVICE PARTS LIST**

MSZ-GL06NA-[U1] MSZ-GL09NA-[U1] MSZ-GL12NA-[U1] MSZ-GL15NA-[U1]
 MSY-GL09NA-[U1] MSY-GL12NA-[U1] MSY-GL15NA-[U1]

1-1. INDOOR UNIT STRUCTURAL PARTS**1-2. ACCESSORY AND REMOTE CONTROLLER**

1-1. INDOOR UNIT STRUCTURAL PARTS

1. The part quantity below indicates the required number of pieces per unit.

| No. | Part No. | Part name | MSZ-GL06NA - U1 | MSZ-GL09NA - U1 | MSZ-GL12NA - U1 | MSZ-GL15NA - U1 | MSY-GL09NA - U1 | MSY-GL12NA - U1 | MSY-GL15NA - U1 | Symbol in Wiring Diagram | Remarks |
|-----|-------------|--|-----------------|-----------------|-----------------|-----------------|-----------------|-----------------|-----------------|--------------------------|--------------------------|
| | | | | | | | | | | | |
| 1 | U01 A01 234 | BOX ASSEMBLY | 1 | 1 | 1 | 1 | 1 | 1 | 1 | | |
| 2 | U01 A02 000 | PANEL ASSEMBLY | 1 | 1 | 1 | 1 | 1 | 1 | 1 | | Includes No. 3, 4, and 5 |
| 3 | U01 A01 142 | CATCH | 2 | 2 | 2 | 2 | 2 | 2 | 2 | | 2 PCS/SET |
| 4 | U01 A01 067 | SCREW CAP | 2 | 2 | 2 | 2 | 2 | 2 | 2 | | 2 PCS/SET |
| 5 | U01 A02 010 | FRONT PANEL | 1 | 1 | 1 | 1 | 1 | 1 | 1 | | |
| 6 | U01 A01 100 | AIR FILTER (NANO PLATINUM FILTER) | 2 | 2 | 2 | 2 | 2 | 2 | 2 | | 1 PC/SET |
| 7 | U01 A01 975 | CORNER BOX (RIGHT) | 1 | 1 | 1 | 1 | 1 | 1 | 1 | | |
| 8 | U01 A01 970 | INSTALLATION PLATE | 1 | 1 | 1 | 1 | 1 | 1 | 1 | | |
| 9 | - | AIR CLEANING FILTER (ANTI-ALLERGY ENZYME FILTER) | 2 | 2 | 2 | 2 | 2 | 2 | 2 | | MAC-408FT-E 2 PCS/SET |

1-2. ACCESSORY AND REMOTE CONTROLLER

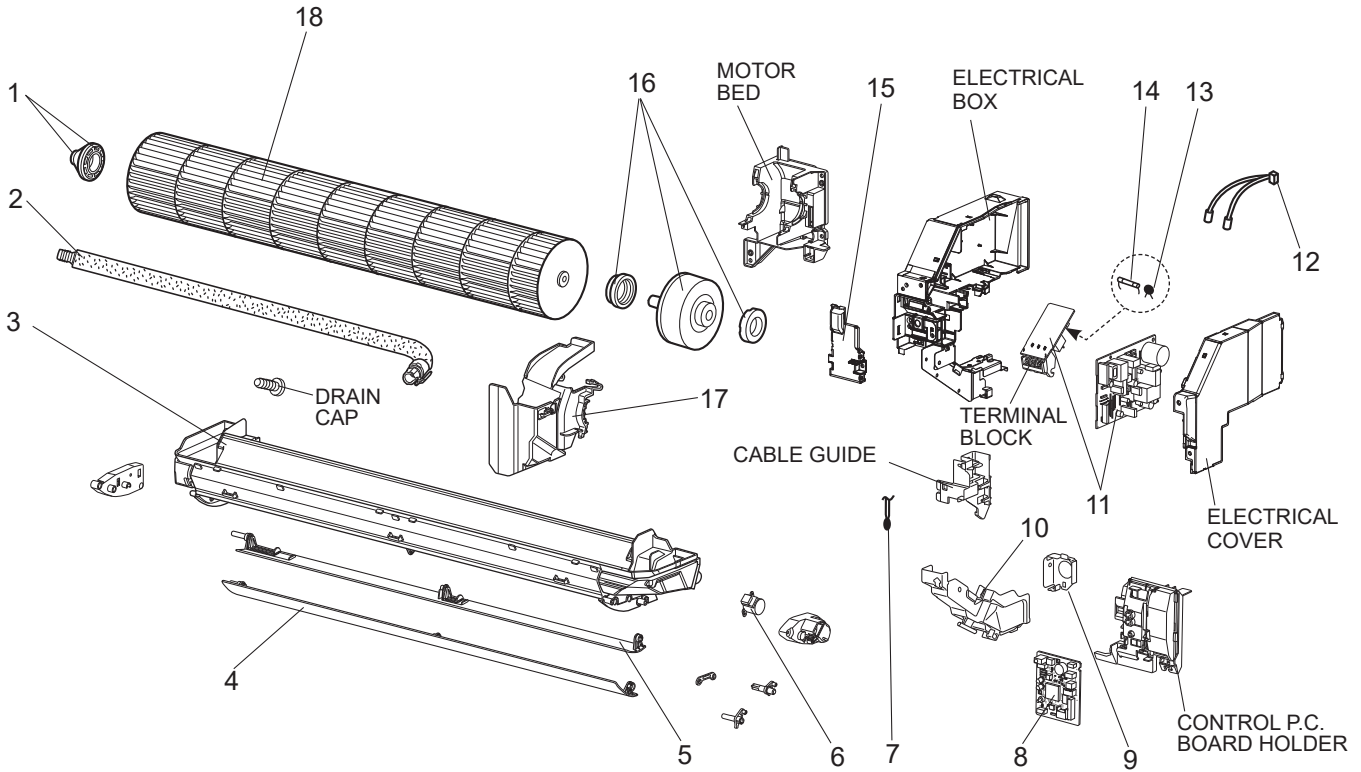
1. The part quantity below indicates the required number of pieces per unit.

| No. | Part No. | Part name | MSZ-GL06NA - U1 | MSZ-GL09NA - U1 | MSZ-GL12NA - U1 | MSZ-GL15NA - U1 | MSY-GL09NA - U1 | MSY-GL12NA - U1 | MSY-GL15NA - U1 | Symbol in Wiring Diagram | Remarks |
|-----|-------------|--------------------------|-----------------|-----------------|-----------------|-----------------|-----------------|-----------------|-----------------|--------------------------|---------|
| | | | | | | | | | | | |
| 10 | U01 A03 426 | REMOTE CONTROLLER | 1 | 1 | 1 | 1 | | | | | KM15E |
| 10 | U01 A04 426 | REMOTE CONTROLLER | | | | | 1 | 1 | 1 | | KM15F |
| 11 | U01 A01 083 | REMOTE CONTROLLER HOLDER | 1 | 1 | 1 | 1 | 1 | 1 | 1 | | |

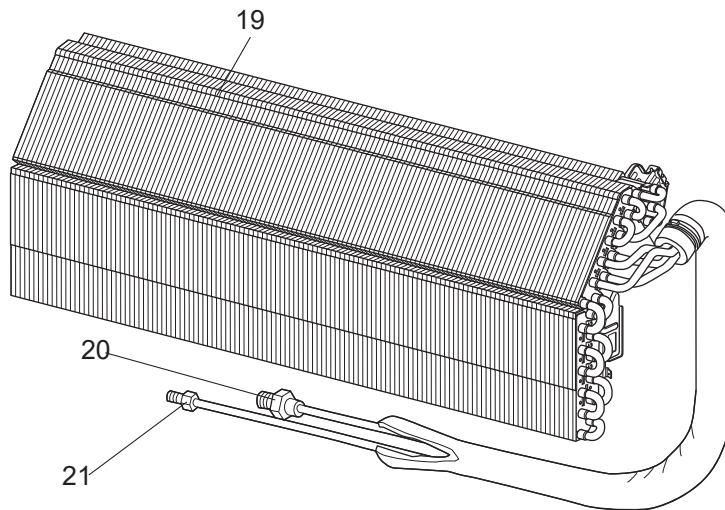
MSZ-GL06NA-U1 MSZ-GL09NA-U1 MSZ-GL12NA-U1 MSZ-GL15NA-U1

MSY-GL09NA-U1 MSY-GL12NA-U1 MSY-GL15NA-U1

1-3. INDOOR UNIT ELECTRICAL PARTS AND FUNCTIONAL PARTS



1-4. INDOOR UNIT HEAT EXCHANGER



1-3. INDOOR UNIT ELECTRICAL PARTS AND FUNCTIONAL PARTS

1. The part quantity below indicates the required number of pieces per unit.

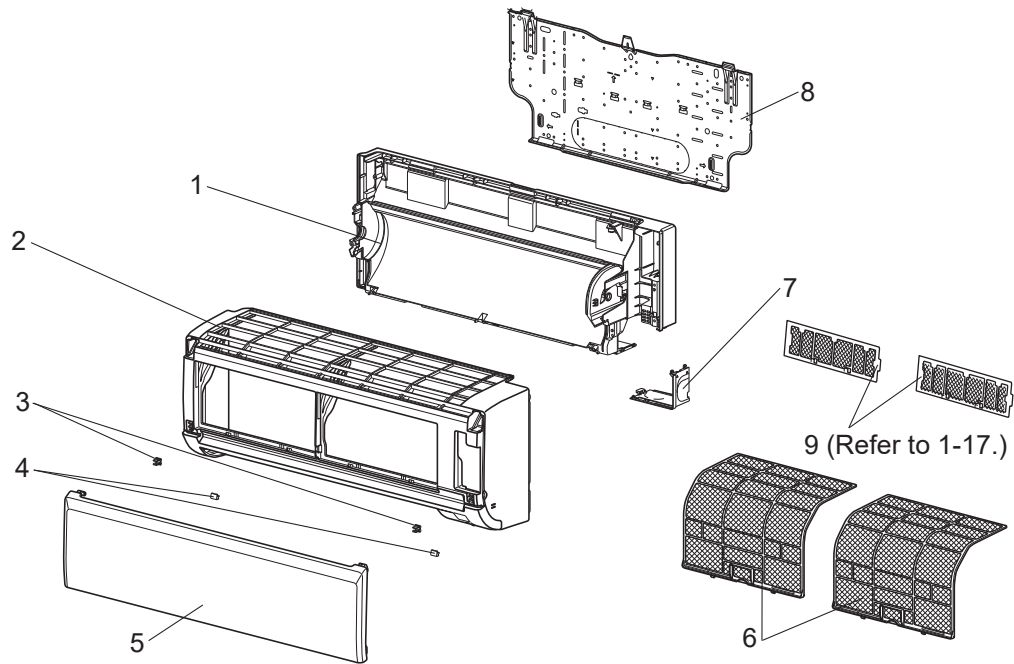
| No. | Part No. | Part name | MSZ-GL06NA - [U1] | MSZ-GL09NA - [U1] | MSZ-GL12NA - [U1] | MSZ-GL15NA - [U1] | MSY-GL09NA - [U1] | MSY-GL12NA - [U1] | MSY-GL15NA - [U1] | Symbol in Wiring Diagram | Remarks |
|-----|-------------|-------------------------------|-------------------|-------------------|-------------------|-------------------|-------------------|-------------------|-------------------|--------------------------|--|
| 1 | U01 A02 510 | BEARING MOUNT ASSEMBLY | 1 | 1 | 1 | 1 | 1 | 1 | 1 | | Includes sleeve bearing |
| 2 | U01 A01 702 | DRAIN HOSE | 1 | 1 | 1 | 1 | 1 | 1 | 1 | | |
| 3 | U01 A01 235 | NOZZLE ASSEMBLY | 1 | 1 | 1 | 1 | 1 | 1 | 1 | | |
| 4 | U01 A01 040 | VANE-UPPER | 1 | 1 | 1 | 1 | 1 | 1 | 1 | | |
| 5 | U01 A01 041 | VANE-LOWER | 1 | 1 | 1 | 1 | 1 | 1 | 1 | | |
| 6 | U01 A01 303 | VANE MOTOR | 1 | 1 | 1 | 1 | 1 | 1 | 1 | MV | UP & DOWN |
| 7 | U01 A01 308 | ROOM TEMPERATURE THERMISTOR | 1 | 1 | 1 | 1 | 1 | 1 | 1 | RT11 | |
| 8 | U01 A28 452 | ELECTRONIC CONTROL P.C. BOARD | 1 | | | | | | | | |
| 8 | U01 A29 452 | ELECTRONIC CONTROL P.C. BOARD | | 1 | | | | | | | |
| 8 | U01 A30 452 | ELECTRONIC CONTROL P.C. BOARD | | | 1 | | | | | | |
| 8 | U01 A31 452 | ELECTRONIC CONTROL P.C. BOARD | | | | 1 | | | | | |
| 8 | U01 A14 452 | ELECTRONIC CONTROL P.C. BOARD | | | | | 1 | | | | |
| 8 | U01 A15 452 | ELECTRONIC CONTROL P.C. BOARD | | | | | | 1 | | | |
| 8 | U01 A16 452 | ELECTRONIC CONTROL P.C. BOARD | | | | | | | 1 | | |
| 9 | U01 A04 978 | CONDUIT PLATE | 1 | 1 | 1 | 1 | 1 | 1 | 1 | | |
| 10 | U01 A01 979 | CONDUIT COVER | 1 | 1 | 1 | 1 | 1 | 1 | 1 | | |
| 11 | U01 A01 440 | POWER P.C. BOARD | 1 | 1 | 1 | 1 | 1 | 1 | 1 | | Includes TERMINAL P.C. BOARD with TERMINAL BLOCK |
| 12 | U01 A01 307 | INDOOR COIL THERMISTOR | 1 | 1 | 1 | 1 | 1 | 1 | 1 | RT12, RT13 | |
| 13 | U01 A01 385 | VARIATOR | 1 | 1 | 1 | 1 | 1 | 1 | 1 | NR11 | |
| 14 | U01 A01 382 | FUSE | 1 | 1 | 1 | 1 | 1 | 1 | 1 | F11 | T3.15AL250V |
| 15 | U01 A01 784 | V.A. CLAMP | 1 | 1 | 1 | 1 | 1 | 1 | 1 | | |
| 16 | U01 A01 300 | INDOOR FAN MOTOR | 1 | 1 | 1 | 1 | 1 | 1 | 1 | MF | RC0J30-□□, Includes FAN MOTOR RUBBER MOUNT (2 PCS/SET) |
| 17 | U01 A01 333 | MOTOR BAND | 1 | 1 | 1 | 1 | 1 | 1 | 1 | | |
| 18 | U01 A01 302 | LINE FLOW FAN | 1 | 1 | 1 | 1 | 1 | 1 | 1 | | |

1-4. INDOOR UNIT HEAT EXCHANGER

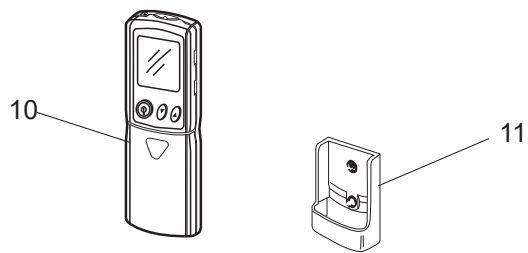
1. The part quantity below indicates the required number of pieces per unit.

| No. | Part No. | Part name | MSZ-GL06NA - [U1] | MSZ-GL09NA - [U1] | MSZ-GL12NA - [U1] | MSZ-GL15NA - [U1] | MSY-GL09NA - [U1] | MSY-GL12NA - [U1] | MSY-GL15NA - [U1] | Symbol in Wiring Diagram | Remarks |
|-----|-------------|-----------------------|-------------------|-------------------|-------------------|-------------------|-------------------|-------------------|-------------------|--------------------------|--------------|
| 19 | U01 A03 620 | INDOOR HEAT EXCHANGER | 1 | 1 | 1 | | 1 | 1 | | | |
| 19 | U01 A04 620 | INDOOR HEAT EXCHANGER | | | | 1 | | 1 | | | |
| 20 | U01 A01 666 | UNION GAS | 1 | 1 | 1 | | 1 | 1 | | | ø3/8 (ø9.52) |
| 20 | U01 A02 666 | UNION GAS | | | | 1 | | 1 | | | ø1/2 (ø12.7) |
| 21 | U01 A01 667 | UNION LIQUID | 1 | 1 | 1 | 1 | 1 | 1 | | | ø1/4 (ø6.35) |

MSZ-GL06NA-U2 MSZ-GL09NA-U2 MSZ-GL12NA-U2 MSZ-GL15NA-U2
MSY-GL09NA-U2 MSY-GL12NA-U2 MSY-GL15NA-U2
1-5. INDOOR UNIT STRUCTURAL PARTS



1-6. ACCESSORY AND REMOTE CONTROLLER



1-5. INDOOR UNIT STRUCTURAL PARTS

1. The part quantity below indicates the required number of pieces per unit.

| No. | Part No. | Part name | MSZ-GL06NA - U2 | MSZ-GL09NA - U2 | MSZ-GL12NA - U2 | MSZ-GL15NA - U2 | MSY-GL09NA - U2 | MSY-GL12NA - U2 | MSY-GL15NA - U2 | Symbol in Wiring Diagram | Remarks |
|-----|-------------|--|-----------------|-----------------|-----------------|-----------------|-----------------|-----------------|-----------------|--------------------------|--------------------------|
| | | | | | | | | | | | |
| 1 | U01 A01 234 | BOX ASSEMBLY | 1 | 1 | 1 | 1 | 1 | 1 | 1 | | |
| 2 | U01 A02 000 | PANEL ASSEMBLY | 1 | 1 | 1 | 1 | 1 | 1 | 1 | | Includes No. 3, 4, and 5 |
| 3 | U01 A01 142 | CATCH | 2 | 2 | 2 | 2 | 2 | 2 | 2 | | 2 PCS/SET |
| 4 | U01 A01 067 | SCREW CAP | 2 | 2 | 2 | 2 | 2 | 2 | 2 | | 2 PCS/SET |
| 5 | U01 A02 010 | FRONT PANEL | 1 | 1 | 1 | 1 | 1 | 1 | 1 | | |
| 6 | U01 A01 100 | AIR FILTER (NANO PLATINUM FILTER) | 2 | 2 | 2 | 2 | 2 | 2 | 2 | | 1 PC/SET |
| 7 | U01 A01 975 | CORNER BOX (RIGHT) | 1 | 1 | 1 | 1 | 1 | 1 | 1 | | |
| 8 | U01 A01 970 | INSTALLATION PLATE | 1 | 1 | 1 | 1 | 1 | 1 | 1 | | |
| 9 | - | AIR CLEANING FILTER (ANTI-ALLERGY ENZYME FILTER) | 2 | 2 | 2 | 2 | 2 | 2 | 2 | | MAC-408FT-E 2 PCS/SET |

1-6. ACCESSORY AND REMOTE CONTROLLER

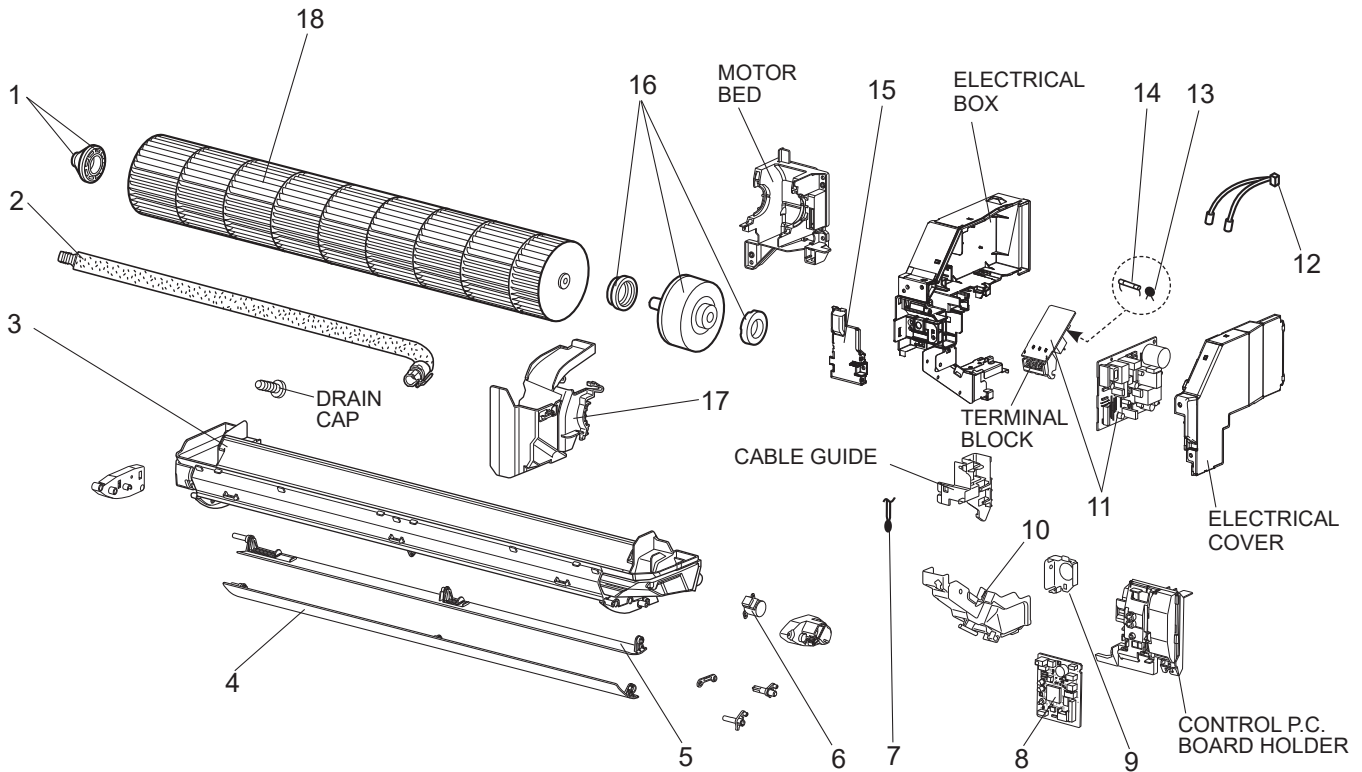
1. The part quantity below indicates the required number of pieces per unit.

| No. | Part No. | Part name | MSZ-GL06NA - U2 | MSZ-GL09NA - U2 | MSZ-GL12NA - U2 | MSZ-GL15NA - U2 | MSY-GL09NA - U2 | MSY-GL12NA - U2 | MSY-GL15NA - U2 | Symbol in Wiring Diagram | Remarks |
|-----|-------------|--------------------------|-----------------|-----------------|-----------------|-----------------|-----------------|-----------------|-----------------|--------------------------|---------|
| | | | | | | | | | | | |
| 10 | U01 A11 426 | REMOTE CONTROLLER | 1 | 1 | 1 | 1 | | | | | KH21A |
| 10 | U01 A12 426 | REMOTE CONTROLLER | | | | | 1 | 1 | 1 | | KH21B |
| 11 | U01 A03 083 | REMOTE CONTROLLER HOLDER | 1 | 1 | 1 | 1 | 1 | 1 | 1 | | |

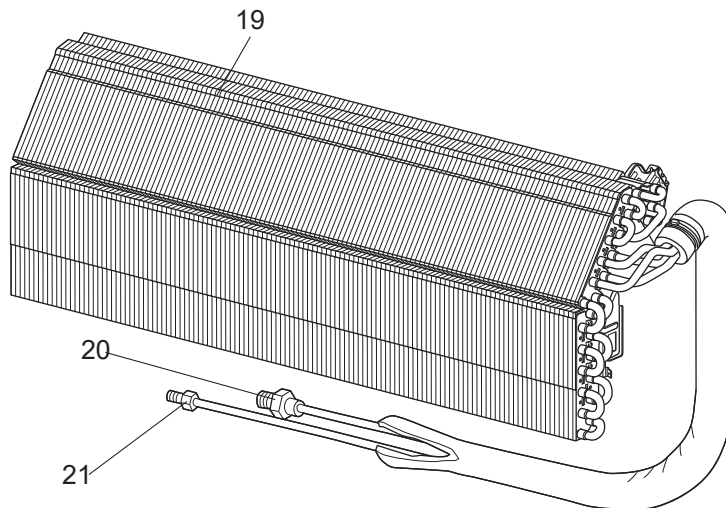
MSZ-GL06NA-U2 MSZ-GL09NA-U2 MSZ-GL12NA-U2 MSZ-GL15NA-U2

MSY-GL09NA-U2 MSY-GL12NA-U2 MSY-GL15NA-U2

1-7. INDOOR UNIT ELECTRICAL PARTS AND FUNCTIONAL PARTS



1-8. INDOOR UNIT HEAT EXCHANGER



1-7. INDOOR UNIT ELECTRICAL PARTS AND FUNCTIONAL PARTS

1. The part quantity below indicates the required number of pieces per unit.

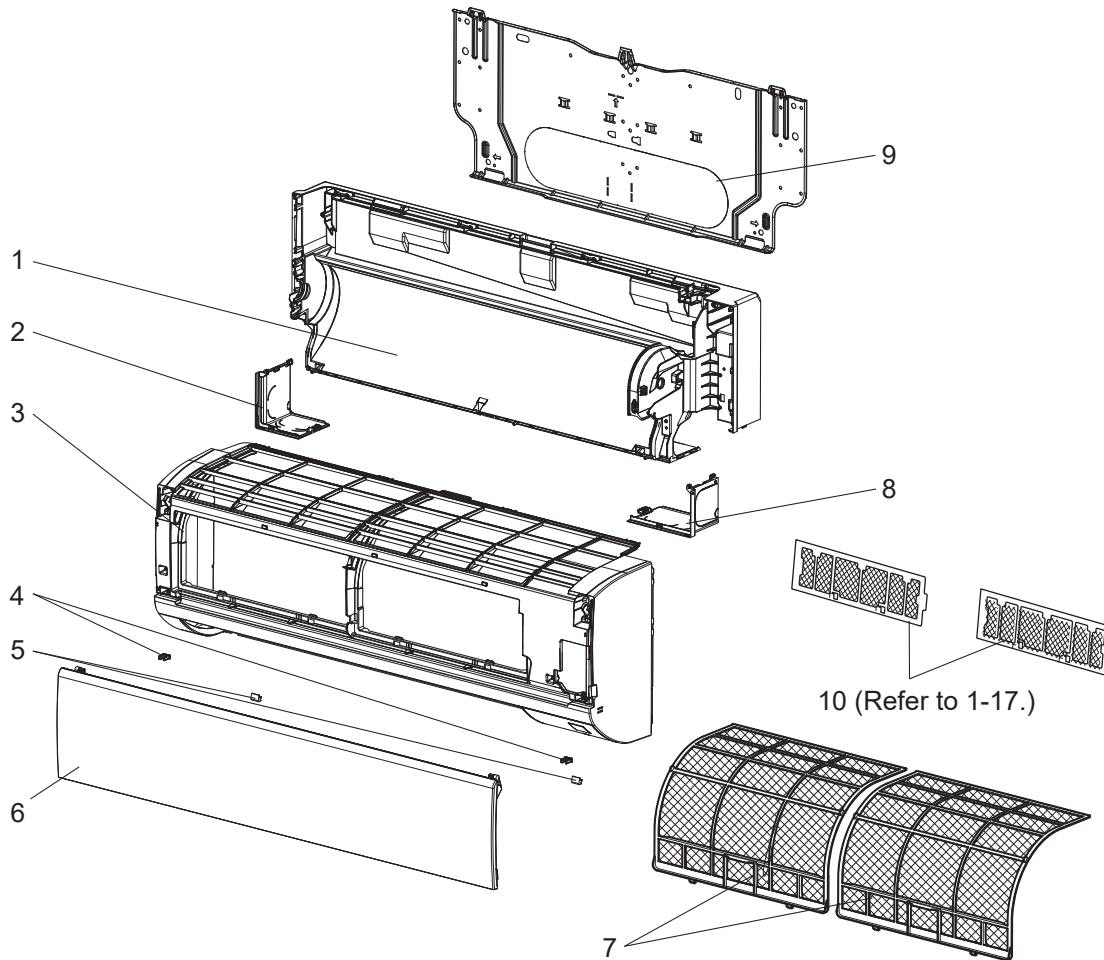
| No. | Part No. | Part name | MSZ-GL06NA - [U2] | MSZ-GL09NA - [U2] | MSZ-GL12NA - [U2] | MSZ-GL15NA - [U2] | MSY-GL09NA - [U2] | MSY-GL12NA - [U2] | MSY-GL15NA - [U2] | Symbol in Wiring Diagram | Remarks |
|-----|-------------|-------------------------------|-------------------|-------------------|-------------------|-------------------|-------------------|-------------------|-------------------|--------------------------|--|
| | | | | | | | | | | | |
| 1 | U01 A02 510 | BEARING MOUNT ASSEMBLY | 1 | 1 | 1 | 1 | 1 | 1 | 1 | | Includes sleeve bearing |
| 2 | U01 A01 702 | DRAIN HOSE | 1 | 1 | 1 | 1 | 1 | 1 | 1 | | |
| 3 | U01 A01 235 | NOZZLE ASSEMBLY | 1 | 1 | 1 | 1 | 1 | 1 | 1 | | |
| 4 | U01 A01 040 | VANE-UPPER | 1 | 1 | 1 | 1 | 1 | 1 | 1 | | |
| 5 | U01 A01 041 | VANE-LOWER | 1 | 1 | 1 | 1 | 1 | 1 | 1 | | |
| 6 | U01 A01 303 | VANE MOTOR | 1 | 1 | 1 | 1 | 1 | 1 | 1 | MV | UP & DOWN |
| 7 | U01 A08 308 | ROOM TEMPERATURE THERMISTOR | 1 | 1 | 1 | 1 | 1 | 1 | 1 | RT11 | |
| 8 | U01 A45 452 | ELECTRONIC CONTROL P.C. BOARD | 1 | | | | | | | | |
| 8 | U01 A46 452 | ELECTRONIC CONTROL P.C. BOARD | | 1 | | | | | | | |
| 8 | U01 A47 452 | ELECTRONIC CONTROL P.C. BOARD | | | 1 | | | | | | |
| 8 | U01 A48 452 | ELECTRONIC CONTROL P.C. BOARD | | | | 1 | | | | | |
| 8 | U01 A49 452 | ELECTRONIC CONTROL P.C. BOARD | | | | | 1 | | | | |
| 8 | U01 A50 452 | ELECTRONIC CONTROL P.C. BOARD | | | | | | 1 | | | |
| 8 | U01 A51 452 | ELECTRONIC CONTROL P.C. BOARD | | | | | | | 1 | | |
| 9 | U01 A04 978 | CONDUIT PLATE | 1 | 1 | 1 | 1 | 1 | 1 | 1 | | |
| 10 | U01 A01 979 | CONDUIT COVER | 1 | 1 | 1 | 1 | 1 | 1 | 1 | | |
| 11 | U01 A03 440 | POWER P.C. BOARD | 1 | 1 | 1 | 1 | 1 | 1 | 1 | | Includes TERMINAL P.C. BOARD with TERMINAL BLOCK |
| 12 | U01 A09 308 | INDOOR COIL THERMISTOR | 1 | 1 | 1 | 1 | 1 | 1 | 1 | RT12, RT13 | |
| 13 | U01 A01 385 | VARISTOR | 1 | 1 | 1 | 1 | 1 | 1 | 1 | NR11 | |
| 14 | U01 001 239 | FUSE | 1 | 1 | 1 | 1 | 1 | 1 | 1 | F11 | T3.15AL250V |
| 15 | U01 A01 784 | V.A. CLAMP | 1 | 1 | 1 | 1 | 1 | 1 | 1 | | |
| 16 | U01 A01 300 | INDOOR FAN MOTOR | 1 | 1 | 1 | 1 | 1 | 1 | 1 | MF | RC0J30-□□, Includes FAN MOTOR RUBBER MOUNT (2 PCS/SET) |
| 17 | U01 A01 333 | MOTOR BAND | 1 | 1 | 1 | 1 | 1 | 1 | 1 | | |
| 18 | U01 A01 302 | LINE FLOW FAN | 1 | 1 | 1 | 1 | 1 | 1 | 1 | | |

1-8. INDOOR UNIT HEAT EXCHANGER

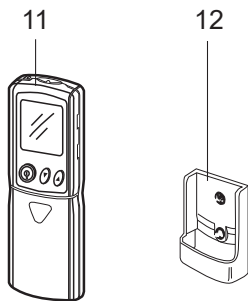
1. The part quantity below indicates the required number of pieces per unit.

| No. | Part No. | Part name | MSZ-GL06NA - [U2] | MSZ-GL09NA - [U2] | MSZ-GL12NA - [U2] | MSZ-GL15NA - [U2] | MSY-GL09NA - [U2] | MSY-GL12NA - [U2] | MSY-GL15NA - [U2] | Symbol in Wiring Diagram | Remarks |
|-----|-------------|-----------------------|-------------------|-------------------|-------------------|-------------------|-------------------|-------------------|-------------------|--------------------------|--------------|
| | | | | | | | | | | | |
| 19 | U01 A03 620 | INDOOR HEAT EXCHANGER | 1 | 1 | 1 | | 1 | 1 | | | |
| 19 | U01 A04 620 | INDOOR HEAT EXCHANGER | | | | 1 | | 1 | | | |
| 20 | U01 A01 666 | UNION GAS | 1 | 1 | 1 | | 1 | 1 | | | ø3/8 (ø9.52) |
| 20 | U01 A02 666 | UNION GAS | | | | 1 | | 1 | | | ø1/2 (ø12.7) |
| 21 | U01 A01 667 | UNION LIQUID | 1 | 1 | 1 | 1 | 1 | 1 | 1 | | ø1/4 (ø6.35) |

MSZ-GL18NA MSY-GL18NA
1-9. INDOOR UNIT STRUCTURAL PARTS



1-10. ACCESSORY AND REMOTE CONTROLLER



1-9. INDOOR UNIT STRUCTURAL PARTS

1. The part quantity below indicates the required number of pieces per unit.

| No. | Part No. | Part name | MSZ-GL18NA - [UT] | MSY-GL18NA - [UT] | Symbol in Wiring Diagram | Remarks |
|-----|-------------|---|-------------------|-------------------|--------------------------|--------------------------|
| 1 | E22 N87 234 | BOX ASSEMBLY | 1 | 1 | | |
| 2 | E22 N87 976 | CORNER BOX LEFT | 1 | 1 | | |
| 3 | E22 N94 000 | PANEL ASSEMBLY | 1 | 1 | | Includes No. 4, 5, and 6 |
| 4 | E22 F95 142 | CATCH | 2 | 2 | | 2 PCS/SET |
| 5 | E22 913 067 | SCREW CAP | 2 | 2 | | 2 PCS/SET |
| 6 | E22 N87 010 | FRONT PANEL | 1 | 1 | | |
| 7 | E22 N94 100 | AIR FILTER (NANO PLATINUM FILTER) | 2 | 2 | | 1 PC/SET |
| 8 | E22 N87 975 | CORNER BOX RIGHT | 1 | 1 | | |
| 9 | E22 N87 970 | INSTALLATION PLATE | 1 | 1 | | |
| 10 | - | AIR CLEANING FILTER (ANTI-ALLERGY ENZYME FILTER) | 2 | 2 | | MAC-408FT-E 2 PCS/SET |

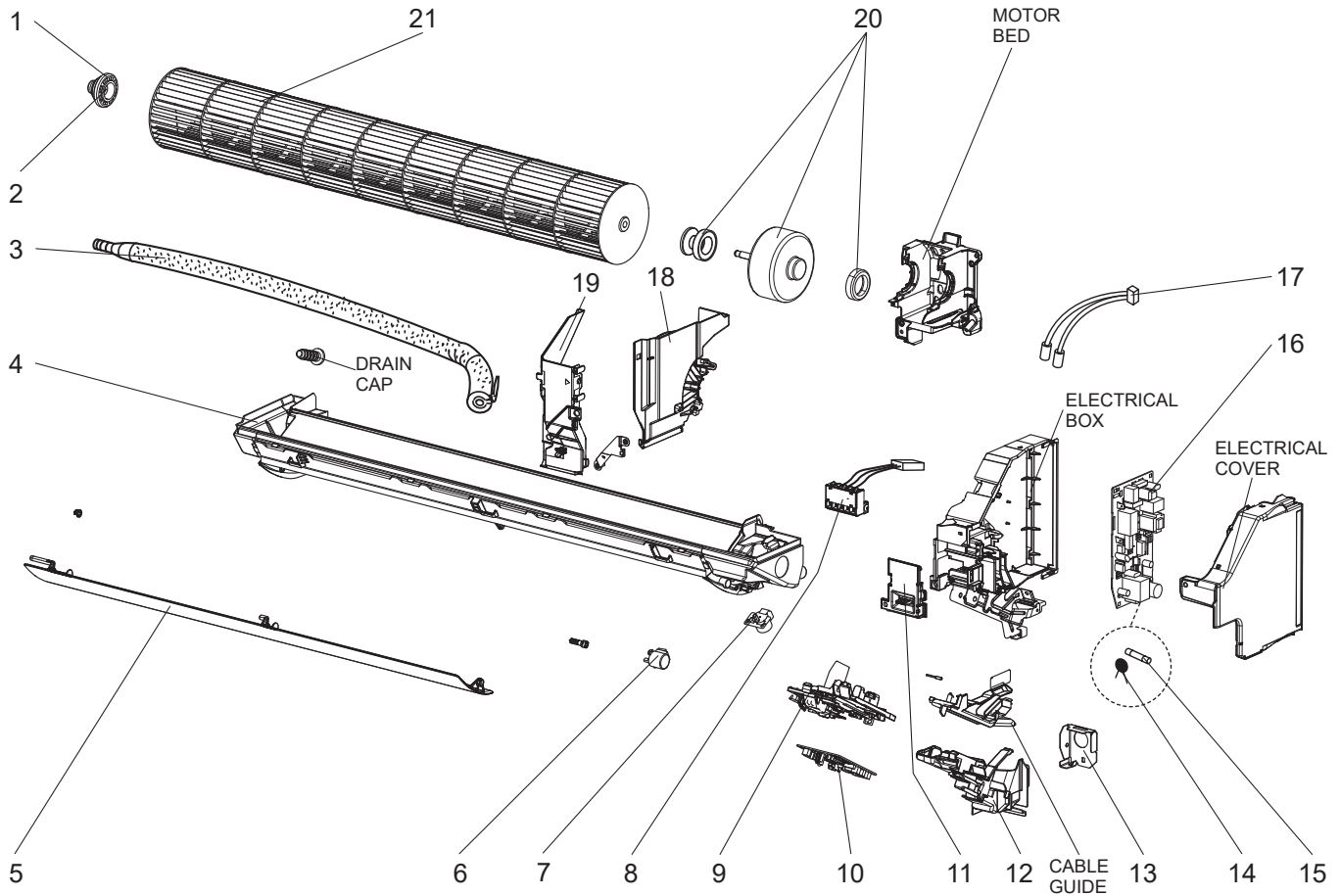
1-10. ACCESSORY AND REMOTE CONTROLLER

1. The part quantity below indicates the required number of pieces per unit.

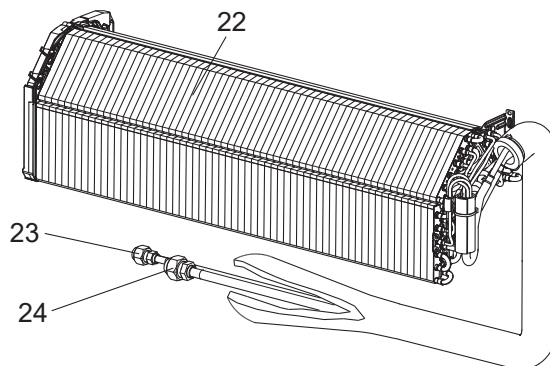
| No. | Part No. | Part name | MSZ-GL18NA - [UT] | MSY-GL18NA - [UT] | Symbol in Wiring Diagram | Remarks |
|-----|-------------|--------------------------|-------------------|-------------------|--------------------------|---------|
| 11 | E22 N91 426 | REMOTE CONTROLLER | 1 | | | KM15A |
| 11 | E22 N94 426 | REMOTE CONTROLLER | | 1 | | KM15B |
| 12 | E22 527 083 | REMOTE CONTROLLER HOLDER | 1 | 1 | | |

MSZ-GL18NA MSY-GL18NA

1-11. INDOOR UNIT ELECTRICAL PARTS AND FUNCTIONAL PARTS



1-12. INDOOR UNIT HEAT EXCHANGER



1-11. INDOOR UNIT ELECTRICAL PARTS AND FUNCTIONAL PARTS

1. The part quantity below indicates the required number of pieces per unit.

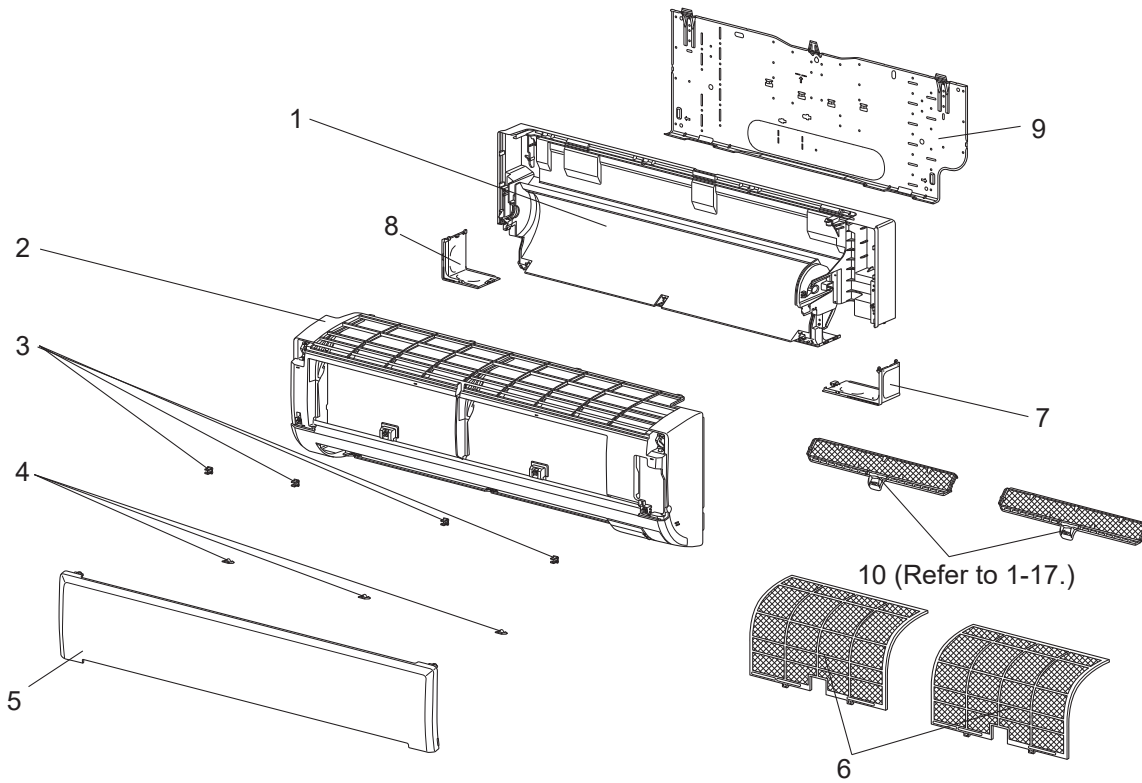
| No. | Part No. | Part name | MSZ-GL18NA-□□ | MSY-GL18NA-□□ | Symbol in Wiring Diagram | Remarks |
|-----|-------------|------------------------------------|---------------|---------------|--------------------------|---|
| 1 | E22 751 509 | BEARING MOUNT | 1 | 1 | | |
| 2 | E22 001 504 | SLEEVE BEARING | 1 | 1 | | |
| 3 | E22 P72 702 | DRAIN HOSE | 1 | 1 | | |
| 4 | E22 N94 235 | NOZZLE ASSEMBLY | 1 | 1 | | |
| 5 | E22 N87 040 | HORIZONTAL VANE | 1 | 1 | | |
| 6 | E22 N87 303 | VANE MOTOR (HORIZONTAL) | 1 | 1 | MV1 | UP & DOWN |
| 7 | E22 J44 303 | VANE MOTOR (VERTICAL) | 1 | 1 | MV2 | RIGHT & LEFT |
| 8 | E22 N94 375 | TERMINAL BLOCK ASSEMBLY | 1 | 1 | TB | Includes THERMAL FUSE (F12) |
| 9 | E22 N87 095 | CONTROL P.C. BOARD HOLDER ASSEMBLY | 1 | 1 | | |
| 10 | E22 21B 452 | ELECTRONIC CONTROL P.C. BOARD | 1 | | | Includes ROOM TEMPERATURE THERMISTOR (RT11) |
| 10 | E22 N94 452 | ELECTRONIC CONTROL P.C. BOARD | | 1 | | Includes ROOM TEMPERATURE THERMISTOR (RT11) |
| 11 | E22 N87 784 | V.A. CLAMP | 1 | 1 | | |
| 12 | E22 N94 979 | CONDUIT COVER | 1 | 1 | | |
| 13 | E22 N94 978 | CONDUIT PLATE | 1 | 1 | | |
| 14 | E22 B75 385 | VARISTOR | 1 | 1 | NR11 | |
| 15 | E22 A49 382 | FUSE | 1 | 1 | F11 | T3.15AL250V |
| 16 | E22 N94 440 | POWER P.C. BOARD | 1 | 1 | | |
| 17 | E22 N87 307 | INDOOR COIL THERMISTOR | 1 | 1 | RT12, RT13 | |
| 18 | E22 N87 333 | MOTOR BAND | 1 | 1 | | |
| 19 | E22 N87 541 | WATER COVER | 1 | 1 | | |
| 20 | E22 J44 300 | INDOOR FAN MOTOR | 1 | 1 | MF | RC0J30-□□, Includes FAN MOTOR RUBBER MOUNT (2 PCS/SET) |
| 21 | E22 N87 302 | LINE FLOW FAN | 1 | 1 | | |

1-12. INDOOR UNIT HEAT EXCHANGER

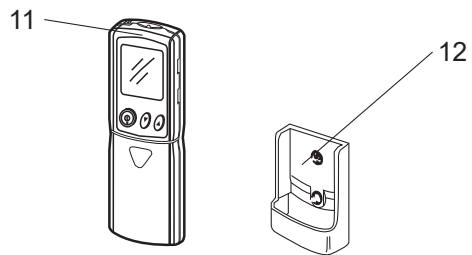
1. The part quantity below indicates the required number of pieces per unit.

| No. | Part No. | Part name | MSZ-GL18NA-□□ | MSY-GL18NA-□□ | Symbol in Wiring Diagram | Remarks |
|-----|-------------|-----------------------|---------------|---------------|--------------------------|--------------|
| 22 | E22 28E 620 | INDOOR HEAT EXCHANGER | 1 | 1 | | |
| 23 | E22 151 667 | UNION (LIQUID) | 1 | 1 | | ø1/4 (ø6.35) |
| 24 | E22 179 667 | UNION (GAS) | 1 | 1 | | ø1/2 (ø12.7) |

MSZ-GL24NA MSY-GL24NA
1-13. INDOOR UNIT STRUCTURAL PARTS



1-14. ACCESSORY AND REMOTE CONTROLLER



1-13. INDOOR UNIT STRUCTURAL PARTS

1. The part quantity below indicates the required number of pieces per unit.

| No. | Part No. | Part name | MSZ-GL24NA - [UT] | MSY-GL24NA - [UT] | Symbol in Wiring Diagram | Remarks |
|-----|-------------|---|-------------------|-------------------|--------------------------|---------------------------|
| 1 | E22 J94 234 | BOX ASSEMBLY | 1 | 1 | | |
| 2 | E22 T16 000 | PANEL ASSEMBLY | 1 | 1 | | Includes No. 3, 4, and 5 |
| 3 | E22 408 142 | CATCH | 4 | 4 | | 4 PCS/SET |
| 4 | E22 F28 067 | SCREW CAP | 3 | 3 | | 3 PCS/SET |
| 5 | E22 R19 010 | FRONT PANEL | 1 | 1 | | |
| 6 | E22 F28 100 | AIR FILTER (NANO PLATINUM FILTER) | 2 | 2 | | 1 PC/SET |
| 7 | E22 F28 975 | CORNER BOX (RIGHT) | 1 | 1 | | |
| 8 | E22 F28 976 | CORNER BOX (LEFT) | 1 | 1 | | |
| 9 | E22 F28 970 | INSTALLATION PLATE | 1 | 1 | | |
| 10 | - | AIR CLEANING FILTER (ELECTROSTATIC ANTI-ALLERGY ENZYME FILTER) | 2 | 2 | | MAC-2310FT-E 2 PCS/SET |

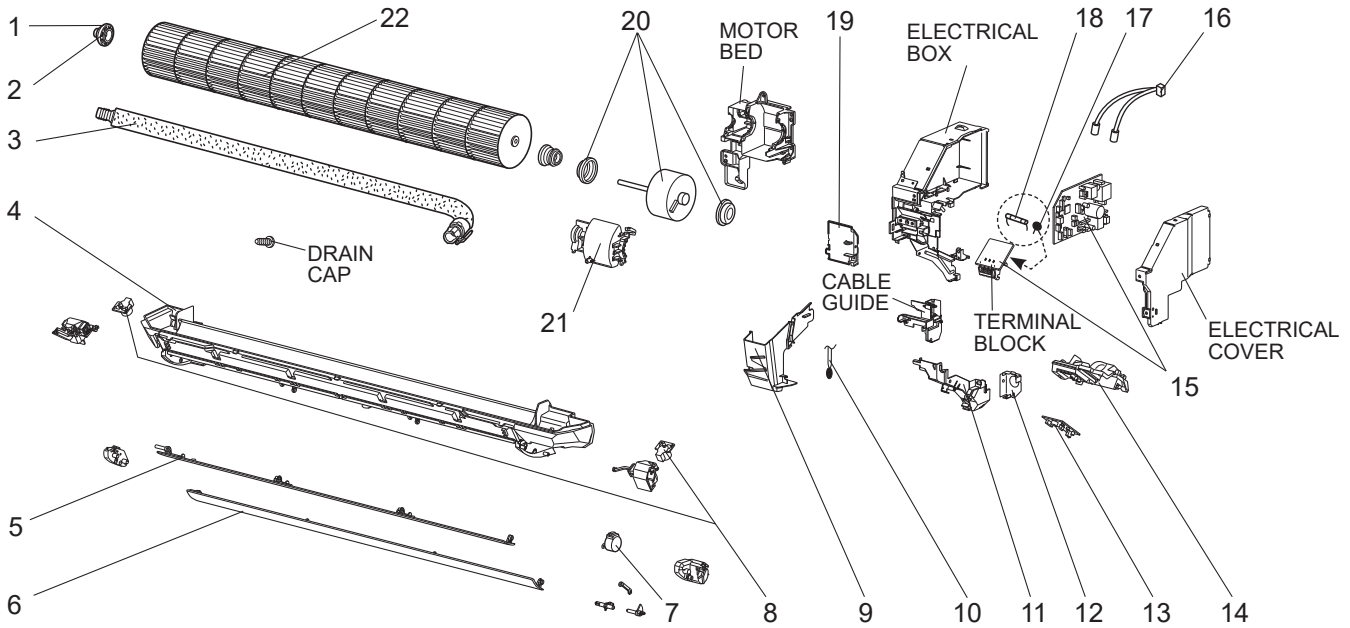
1-14. ACCESSORY AND REMOTE CONTROLLER

1. The part quantity below indicates the required number of pieces per unit.

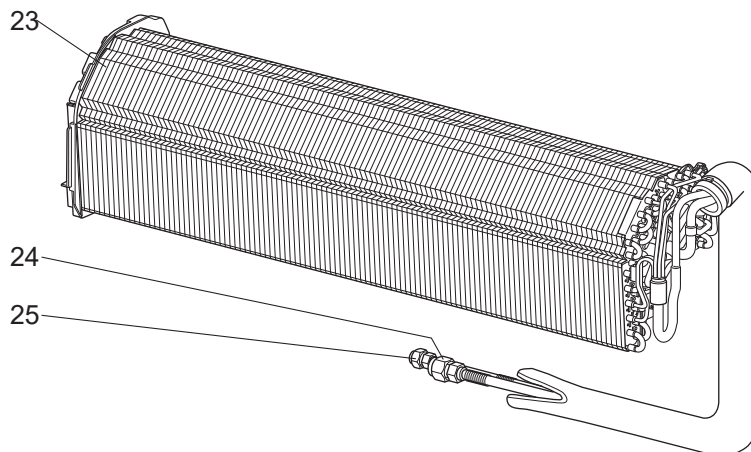
| No. | Part No. | Part name | MSZ-GL24NA - [UT] | MSY-GL24NA - [UT] | Symbol in Wiring Diagram | Remarks |
|-----|-------------|--------------------------|-------------------|-------------------|--------------------------|---------|
| 11 | E22 T16 426 | REMOTE CONTROLLER | 1 | | | KM15H |
| 11 | E22 T17 426 | REMOTE CONTROLLER | | 1 | | KM15J |
| 12 | E22 527 083 | REMOTE CONTROLLER HOLDER | 1 | 1 | | |

MSZ-GL24NA MSY-GL24NA

1-15. INDOOR UNIT ELECTRICAL PARTS AND FUNCTIONAL PARTS



1-16. INDOOR UNIT HEAT EXCHANGER



1-15. INDOOR UNIT ELECTRICAL PARTS AND FUNCTIONAL PARTS

1. The part quantity below indicates the required number of pieces per unit.

| No. | Part No. | Part name | MSZ-GL24NA - [UT] | MSY-GL24NA - [UT] | Symbol in Wiring Diagram | Remarks |
|-----|-------------|--------------------------------------|-------------------|-------------------|--------------------------|--|
| 1 | E22 751 509 | BEARING MOUNT | 1 | 1 | | |
| 2 | E22 001 504 | SLEEVE BEARING | 1 | 1 | | |
| 3 | E22 T20 702 | DRAIN HOSE | 1 | 1 | | |
| 4 | E22 F76 235 | NOZZLE ASSEMBLY | 1 | 1 | | |
| 5 | E22 F76 040 | VANE (UPPER) | 1 | 1 | | |
| 6 | E22 F76 041 | VANE (LOWER) | 1 | 1 | | |
| 7 | E22 C33 303 | VANE MOTOR (HORIZONTAL) | 1 | 1 | MV1 | UP & DOWN |
| 8 | E22 C32 303 | VANE MOTOR (VERTICAL) | 2 | 2 | MV2 | RIGHT & LEFT |
| 9 | E22 F28 541 | WATER CUT | 1 | 1 | | |
| 10 | E22 C32 308 | ROOM TEMPERATURE THERMISTOR | 1 | 1 | RT11 | |
| 11 | E22 F76 979 | CONDUIT COVER | 1 | 1 | | |
| 12 | E22 F76 978 | CONDUIT PLATE | 1 | 1 | | |
| 13 | E22 F28 468 | POWER MONITOR RECEIVER SW P.C. BOARD | 1 | 1 | | |
| 14 | E22 F28 095 | POWER MONITOR RECEIVER HOLDER | 1 | 1 | | |
| 15 | E22 94A 452 | ELECTRONIC CONTROL P.C. BOARD | 1 | | | Includes TERMINAL P.C. BOARD with TERMINAL BLOCK |
| 15 | E22 T17 452 | ELECTRONIC CONTROL P.C. BOARD | | 1 | | Includes TERMINAL P.C. BOARD with TERMINAL BLOCK |
| 16 | E22 F28 307 | INDOOR COIL THERMISTOR | 1 | 1 | RT12, RT13 | |
| 17 | E22 B75 385 | VARISTOR | 1 | 1 | NR11 | |
| 18 | E22 A49 382 | FUSE | 1 | 1 | F11 | T3.15A/250V |
| 19 | E22 F76 784 | V.A. CLAMP | 1 | 1 | | |
| 20 | E22 F28 300 | INDOOR FAN MOTOR | 1 | 1 | MF | RC0J56-□□, Includes FAN MOTOR RUBBER MOUNT (2 PCS/SET) |
| 21 | E22 F28 333 | MOTOR BAND | 1 | 1 | | |
| 22 | E22 F28 302 | LINE FLOW FAN | 1 | 1 | | |

1-16. INDOOR UNIT HEAT EXCHANGER

1. The part quantity below indicates the required number of pieces per unit.

| No. | Part No. | Part name | MSZ-GL24NA - [UT] | MSY-GL24NA - [UT] | Symbol in Wiring Diagram | Remarks |
|-----|-------------|-----------------------|-------------------|-------------------|--------------------------|---------------|
| 23 | E22 36E 620 | INDOOR HEAT EXCHANGER | 1 | 1 | | |
| 24 | E22 527 666 | UNION (GAS) | 1 | 1 | | ø5/8 (ø15.88) |
| 25 | E22 815 666 | UNION (LIQUID) | 1 | 1 | | ø3/8 (ø9.52) |

1-17. AIR CLEANING FILTER

Every 3 months:

- Remove dirt by a vacuum cleaner.

When dirt cannot be removed by vacuum cleaning:

- Soak the filter and its frame in lukewarm water before rinsing it.
- After washing, dry it well in shade.

Every year:

- Replace it with a new air cleaning filter for best performance.

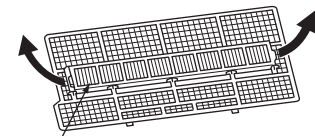
NOTE 1: Clean the filters regularly for best performance and to reduce power consumption.

NOTE 2: Dirty filters cause condensation in the air conditioner which will contribute to the growth of fungi such as mold. It is therefore recommended to clean air filters every 2 weeks.

(ANTI-ALLERGY ENZYME FILTER)

| Model | Part No. |
|------------|-------------|
| MSZ-GL06NA | MAC-408FT-E |
| MSZ-GL09NA | |
| MSZ-GL12NA | |
| MSZ-GL15NA | |
| MSZ-GL18NA | |
| MSY-GL09NA | |
| MSY-GL12NA | |
| MSY-GL15NA | |
| MSY-GL18NA | |

Pull to remove from the air filter



Air cleaning filter
(Blue bellows type)

(ELECTROSTATIC ANTI-ALLERGY ENZYME FILTER)

| Model | Part No. |
|------------|--------------|
| MSZ-GL24NA | MAC-2310FT-E |
| MSY-GL24NA | |

MITSUBISHI ELECTRIC CORPORATION

HEAD OFFICE: TOKYO BUILDING, 2-7-3, MARUNOUCHI, CHIYODA-KU, TOKYO 100-8310, JAPAN

© Copyright 2015 MITSUBISHI ELECTRIC CORPORATION

Issued: Feb. 2022 No. OBB732 REVISED EDITION-E

Issued: Oct. 2019 No. OBB732 REVISED EDITION-D

Issued: Mar. 2018 No. OBB732 REVISED EDITION-C

Issued: Oct. 2017 No. OBB732 REVISED EDITION-B

Issued: Nov. 2015 No. OBB732 REVISED EDITION-A

Published: Sep. 2015 No. OBB732

Made in Japan

Specifications are subject to change without notice.