



SPLIT-TYPE AIR CONDITIONERS

INDOOR UNIT

Revision B:

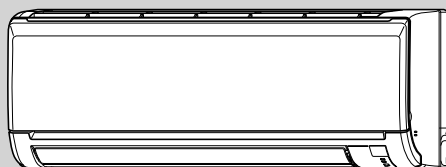
- Electronic control P.C. boards for MSZ-HE09/12/15/18NA have been changed.
- OBB686 REVISED EDITION-A is void.

No. OBB685
REVISED EDITION-B

PARTS CATALOG

Models

MSZ-HE09NA
MSZ-HE12NA
MSZ-HE15NA
MSZ-HE18NA
MSZ-HE24NA



MSZ-HE09NA
MSZ-HE12NA
MSZ-HE15NA
MSZ-HE18NA



CONTENTS

- 1. RoHS PARTS LIST..... 2
- 2. OPTIONAL PARTS..... 10

SERVICE MANUAL (OBH685)

NOTE:

RoHS compliant products have <G> mark on the spec name plate.

Revision A:

• Electronic control P.C. board for MSZ-HE24NA has been changed.

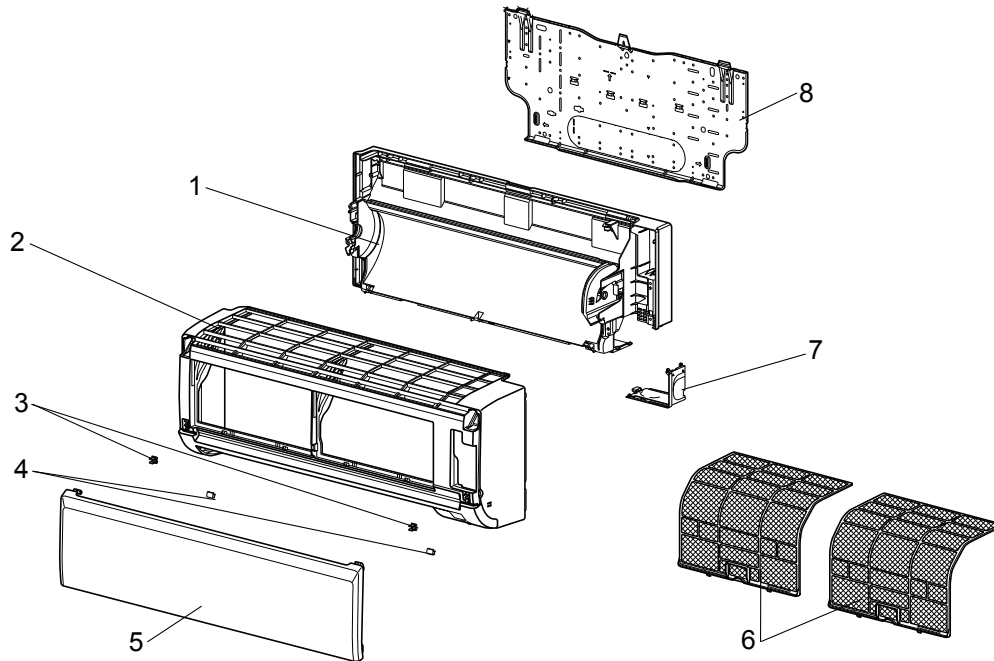
Revision B:

• Electronic control P.C. boards for MSZ-HE09/12/15/18NA have been changed.

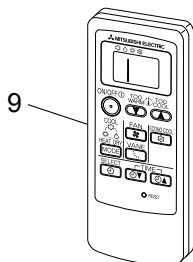
1 RoHS PARTS LIST

MSZ-HE09NA MSZ-HE12NA MSZ-HE15NA MSZ-HE18NA

1-1. INDOOR UNIT STRUCTURAL PARTS



1-2. ACCESSORY AND REMOTE CONTROLLER



RoHS PARTS LIST

MSZ-HE09NA MSZ-HE12NA MSZ-HE15NA MSZ-HE18NA

1-1. INDOOR UNIT STRUCTURAL PARTS

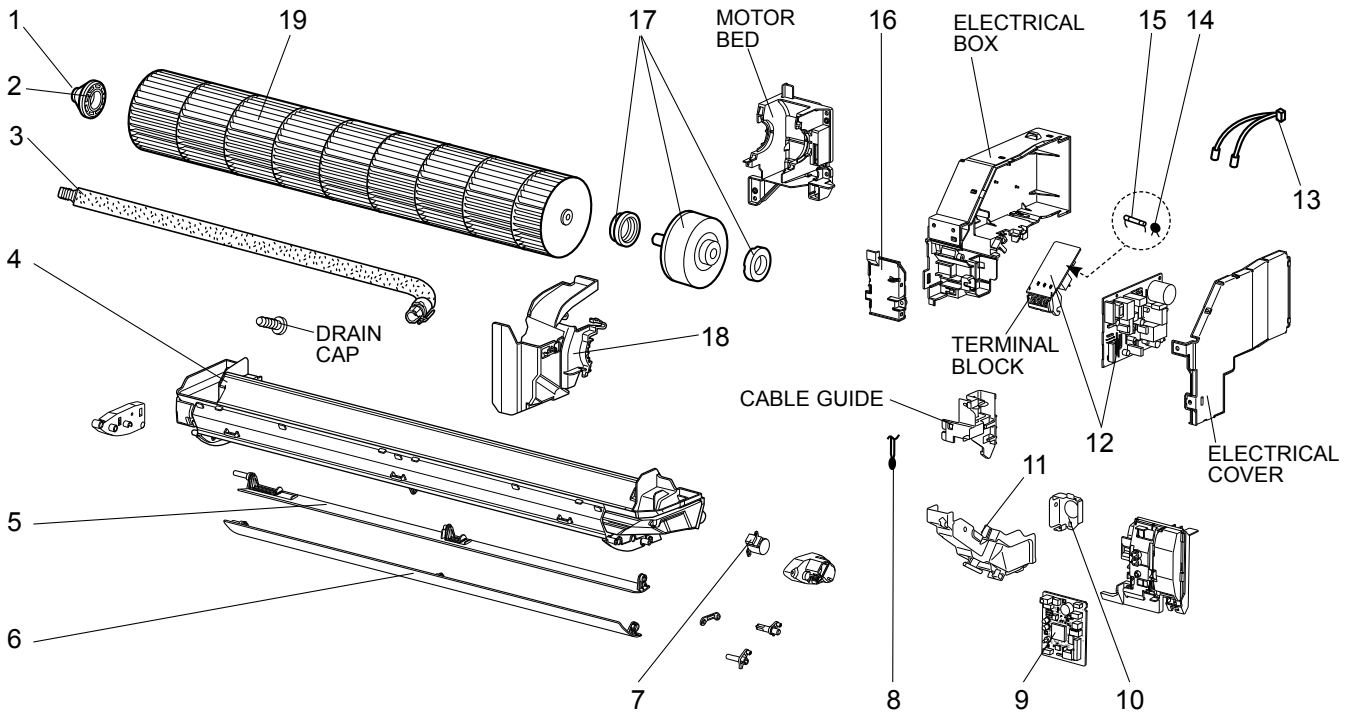
| No. | RoHS | Part No. | Part name | Symbol in Wiring Diagram | Q'ty/unit | | | | Remarks |
|-----|------|-------------|--------------------|--------------------------|-----------|------|------|------|---------------------|
| | | | | | MSZ-HE | | | | |
| | | | | | 09NA | 12NA | 15NA | 18NA | |
| 1 | G | E12 D68 234 | BOX ASSEMBLY | | 1 | 1 | 1 | 1 | |
| 2 | G | E12 N38 000 | PANEL ASSEMBLY | | 1 | 1 | 1 | 1 | Including No. 3,4,5 |
| 3 | G | E12 408 142 | CATCH | | 2 | 2 | 2 | 2 | 2 PCS/SET |
| 4 | G | E12 913 067 | SCREW CAP | | 2 | 2 | 2 | 2 | 2 PCS/SET |
| 5 | G | E12 E79 010 | FRONT PANEL | | 1 | 1 | 1 | 1 | |
| 6 | G | E12 N38 100 | AIR FILTER | | 2 | 2 | 2 | 2 | 1 PC/SET |
| 7 | G | E12 D68 975 | CORNER BOX (RIGHT) | | 1 | 1 | 1 | 1 | |
| 8 | G | E12 D68 970 | INSTALLATION PLATE | | 1 | 1 | 1 | 1 | |

1-2. ACCESSORY AND REMOTE CONTROLLER

| No. | RoHS | Part No. | Part name | Symbol in Wiring Diagram | Q'ty/unit | | | | Remarks |
|-----|------|-------------|-------------------|--------------------------|-----------|------|------|------|---------|
| | | | | | MSZ-HE | | | | |
| | | | | | 09NA | 12NA | 15NA | 18NA | |
| 9 | G | E12 N38 426 | REMOTE CONTROLLER | | 1 | 1 | 1 | 1 | MP14A |

RoHS PARTS LIST

MSZ-HE09NA MSZ-HE12NA MSZ-HE15NA MSZ-HE18NA 1-3. INDOOR UNIT ELECTRICAL PARTS AND FUNCTIONAL PARTS



RoHS PARTS LIST

MSZ-HE09NA MSZ-HE12NA MSZ-HE15NA MSZ-HE18NA 1-3. INDOOR UNIT ELECTRICAL PARTS AND FUNCTIONAL PARTS

| No. | RoHS | Part No. | Part name | Symbol in Wiring Diagram | Q'ty/unit | | | | Remarks |
|-----|------|-------------|----------------------------------|--------------------------------|-----------|------|------|------|-------------|
| | | | | | MSZ-HE | | | | |
| | | | | | 09NA | 12NA | 15NA | 18NA | |
| 1 | G | E12 751 509 | BEARING MOUNT | | 1 | 1 | 1 | 1 | |
| 2 | G | E12 001 504 | SLEEVE BEARING | | 1 | 1 | 1 | 1 | |
| 3 | G | E12 897 702 | DRAIN HOSE | | 1 | 1 | 1 | 1 | |
| 4 | G | E12 E79 235 | NOZZLE ASSEMBLY | | 1 | 1 | 1 | 1 | |
| 5 | G | E12 D68 040 | VANE (UPPER) | | 1 | 1 | 1 | 1 | |
| 6 | G | E12 D68 041 | VANE (LOWER) | | 1 | 1 | 1 | 1 | |
| 7 | G | E12 A89 303 | VANE MOTOR | MV | 1 | 1 | 1 | 1 | UP & DOWN |
| 8 | G | E12 D68 308 | ROOM TEMPERATURE THERMISTOR | RT11 | 1 | 1 | 1 | 1 | |
| 9 | G | E12 19C 452 | ELECTRONIC CONTROL P.C. BOARD | | 1 | | | | |
| | G | E12 20C 452 | | | | 1 | | | |
| | G | E12 21C 452 | | | | | 1 | | |
| | G | E12 22C 452 | | | | | | 1 | |
| 10 | G | E12 E79 978 | CONDUIT PLATE | | 1 | 1 | 1 | 1 | |
| 11 | G | E12 E79 979 | CONDUIT COVER | | 1 | 1 | 1 | 1 | |
| 12 | G | E12 E79 440 | POWER P.C. BOARD ※1 | | 1 | 1 | 1 | 1 | |
| 13 | G | E12 D68 307 | INDOOR COIL THERMISTOR | RT12,RT13 | 1 | 1 | 1 | 1 | |
| 14 | G | E12 B75 385 | VARISTOR | NR11 | 1 | 1 | 1 | 1 | |
| 15 | G | E12 A49 382 | FUSE | F11 | 1 | 1 | 1 | 1 | T3.15AL250V |
| 16 | G | E12 G41 784 | V.A. CLAMP | | 1 | 1 | 1 | 1 | |
| 17 | G | E12 G41 300 | INDOOR FAN MOTOR ※2 | MF | 1 | 1 | 1 | 1 | RC0J40-□□ |
| 18 | G | E12 D68 333 | MOTOR BAND | | 1 | 1 | 1 | 1 | |
| 19 | G | E12 A89 302 | LINE FLOW FAN | | 1 | 1 | 1 | 1 | |

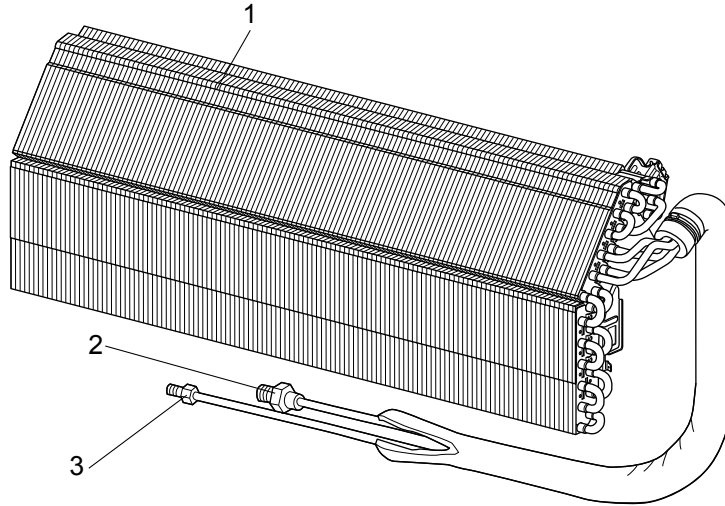
※1 Including TERMINAL BLOCK with TERMINAL P.C. BOARD

※2 Including FAN MOTOR RUBBER MOUNT (2 PCS/SET)

RoHS PARTS LIST

MSZ-HE09NA MSZ-HE12NA MSZ-HE15NA MSZ-HE18NA

1-4. INDOOR UNIT HEAT EXCHANGER

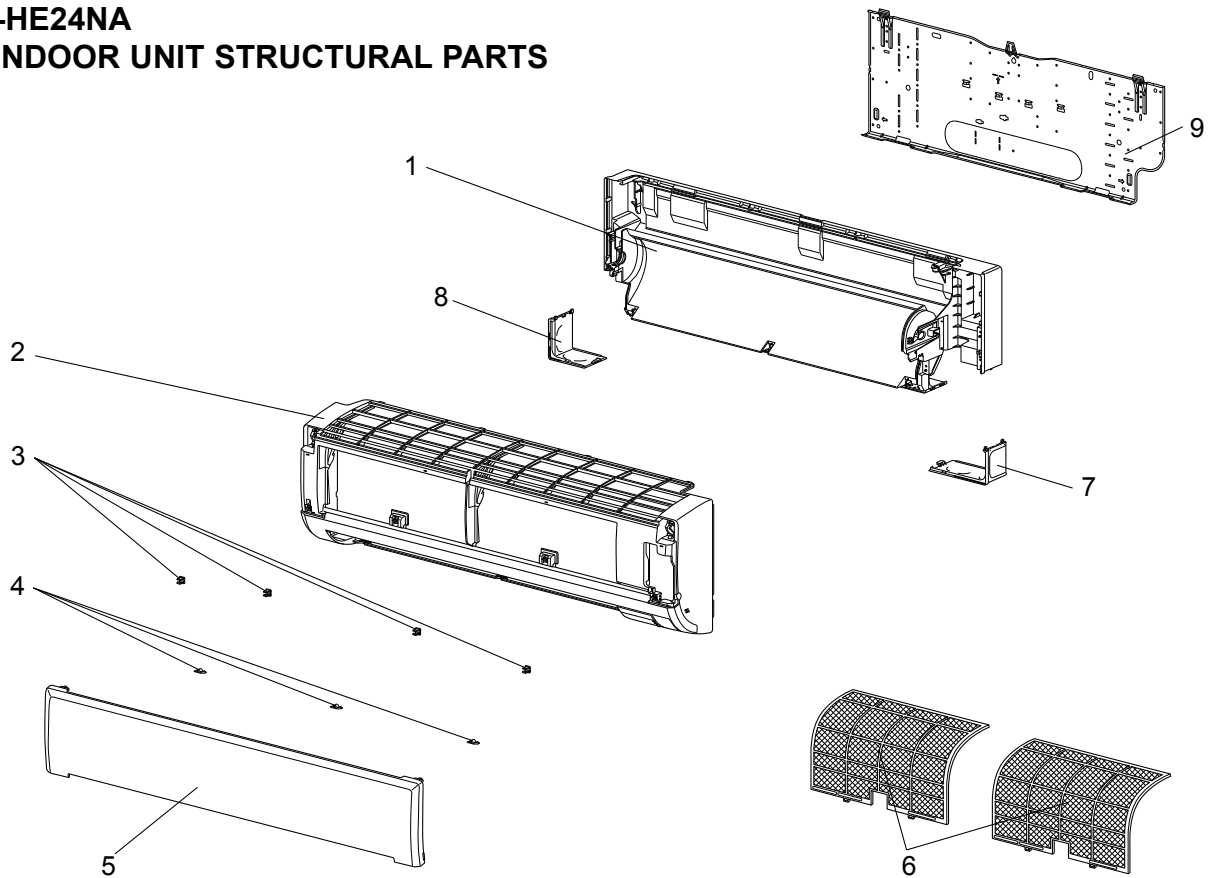


| No. | RoHS | Part No. | Part name | Symbol in Wiring Diagram | Q'ty/unit | | | | Remarks |
|-----|------|-------------|------------------------|--------------------------------|-----------|------|------|------|---------|
| | | | | | MSZ-HE | | | | |
| | | | | | 09NA | 12NA | 15NA | 18NA | |
| 1 | G | E12 N38 620 | INDOOR HEAT EXCHANGER | | 1 | 1 | | | |
| | G | E12 N40 620 | | | | | 1 | 1 | |
| 2 | G | E12 815 666 | UNION (GAS) (ø9.52) | | 1 | 1 | | | ø3/8 |
| | G | E12 155 666 | UNION (GAS) (ø12.7) | | | | 1 | 1 | ø1/2 |
| 3 | G | E12 151 667 | UNION (LIQUID) (ø6.35) | | 1 | 1 | 1 | 1 | ø1/4 |

RoHS PARTS LIST

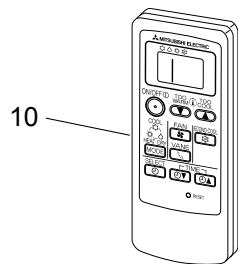
MSZ-HE24NA

1-5. INDOOR UNIT STRUCTURAL PARTS



| No. | RoHS | Part No. | Part name | Symbol in Wiring Diagram | Q'ty/unit | | Remarks |
|-----|------|-------------|--------------------|--------------------------|-----------|------------|---------------------|
| | | | | | | MSZ-HE24NA | |
| 1 | G | E12 J94 234 | BOX ASSEMBLY | | | 1 | |
| 2 | G | E12 N42 000 | PANEL ASSEMBLY | | | 1 | Including No. 3,4,5 |
| 3 | G | E12 408 142 | CATCH | | | 4 | 4 PCS/SET |
| 4 | G | E12 F28 067 | SCREW CAP | | | 3 | 3 PCS/SET |
| 5 | G | E12 F28 010 | FRONT PANEL | | | 1 | |
| 6 | G | E12 L53 100 | ANTI MOLD FILTER | | | 2 | 1 PC/SET |
| 7 | G | E12 F28 975 | CORNER BOX (RIGHT) | | | 1 | |
| 8 | G | E12 F28 976 | CORNER BOX (LEFT) | | | 1 | |
| 9 | G | E12 F28 970 | INSTALLATION PLATE | | | 1 | |

1-6. ACCESSORY AND REMOTE CONTROLLER

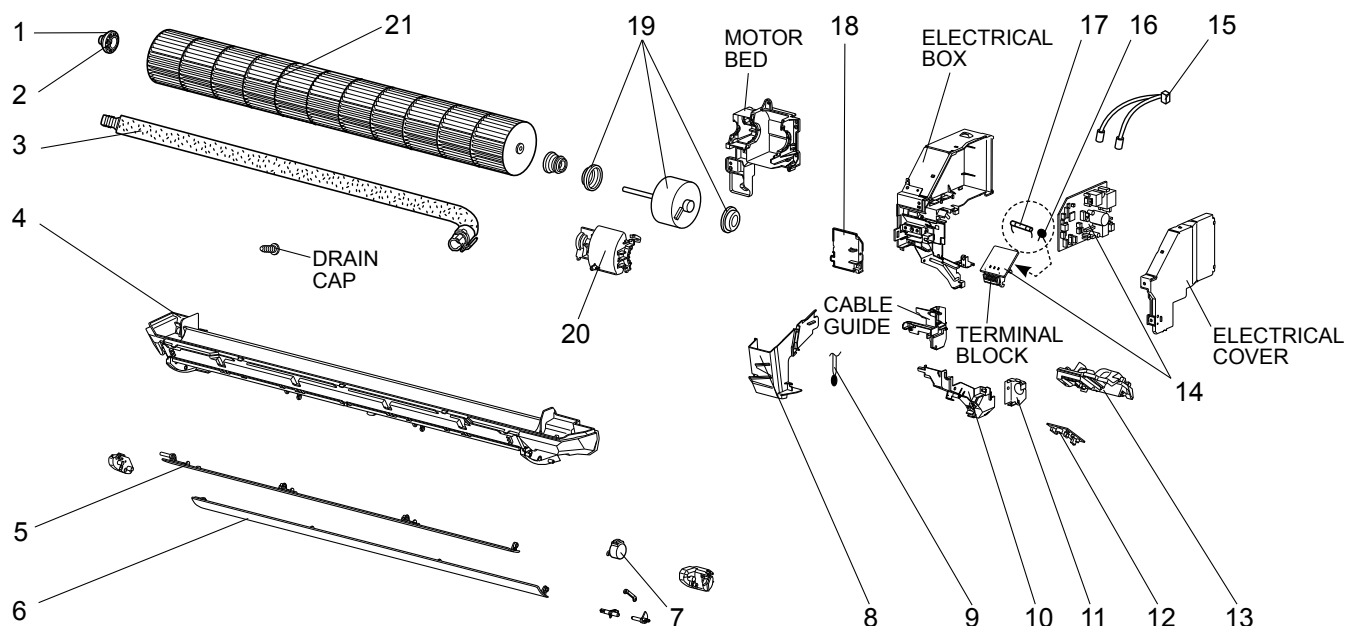


| No. | RoHS | Part No. | Part name | Symbol in Wiring Diagram | Q'ty/unit | | Remarks |
|-----|------|-------------|-------------------|--------------------------|-----------|------------|---------|
| | | | | | | MSZ-HE24NA | |
| 10 | G | E12 N38 426 | REMOTE CONTROLLER | | | 1 | MP14A |

RoHS PARTS LIST

MSZ-HE24NA

1-7. INDOOR UNIT ELECTRICAL PARTS AND FUNCTIONAL PARTS



| No. | RoHS | Part No. | Part name | Symbol in Wiring Diagram | Q'ty/unit | | Remarks |
|-----|------|-------------|--------------------------------------|--------------------------|-----------|------------|-------------|
| | | | | | | MSZ-HE24NA | |
| 1 | G | E12 751 509 | BEARING MOUNT | | | 1 | |
| 2 | G | E12 001 504 | SLEEVE BEARING | | | 1 | |
| 3 | G | E12 408 702 | DRAIN HOSE | | | 1 | |
| 4 | G | E12 N42 235 | NOZZLE ASSEMBLY | | | 1 | |
| 5 | G | E12 F76 040 | VANE (UPPER) | | | 1 | |
| 6 | G | E12 F76 041 | VANE (LOWER) | | | 1 | |
| 7 | G | E12 C33 303 | VANE MOTOR (HORIZONTAL) | MV | | 1 | UP & DOWN |
| 8 | G | E12 F28 541 | WATER CUT | | | 1 | |
| 9 | G | E12 C32 308 | ROOM TEMPERATURE THERMISTOR | RT11 | | 1 | |
| 10 | G | E12 F76 979 | CONDUIT COVER | | | 1 | |
| 11 | G | E12 F76 978 | CONDUIT PLATE | | | 1 | |
| 12 | G | E12 F28 468 | POWER MONITOR RECEIVER SW P.C. BOARD | | | 1 | |
| 13 | G | E12 F28 095 | POWER MONITOR RECEIVER HOLDER | | | 1 | |
| 14 | G | E12 P67 452 | ELECTRONIC CONTROL P.C. BOARD ※ 1 | | | 1 | |
| 15 | G | E12 F28 307 | INDOOR COIL THERMISTOR | RT12, RT13 | | 1 | |
| 16 | G | E12 B75 385 | VARIATOR | NR11 | | 1 | |
| 17 | G | E12 A49 382 | FUSE | F11 | | 1 | T3.15AL250V |
| 18 | G | E12 F76 784 | V.A. CLAMP | | | 1 | |
| 19 | G | E12 F28 300 | INDOOR FAN MOTOR ※2 | MF | | 1 | RC0J56-□□ |
| 20 | G | E12 F28 333 | MOTOR BAND | | | 1 | |
| 21 | G | E12 F28 302 | LINE FLOW FAN | | | 1 | |

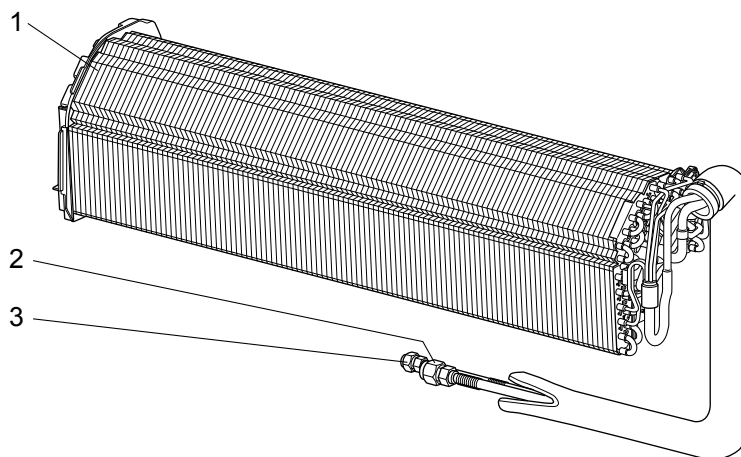
※1 Including TERMINAL BLOCK with TERMINAL P.C. BOARD

※2 Including FAN MOTOR RUBBER MOUNT (2 PCS/SET)

RoHS PARTS LIST

MSZ-HE24NA

1-8. INDOOR UNIT HEAT EXCHANGER



| No. | RoHS | Part No. | Part name | Symbol in Wiring Diagram | Q'ty/unit | | Remarks |
|-----|------|-------------|------------------------|--------------------------------|-----------|------------|---------|
| | | | | | | MSZ-HE24NA | |
| 1 | G | E12 N42 620 | INDOOR HEAT EXCHANGER | | | 1 | |
| 2 | G | E12 527 666 | UNION (GAS) (ø15.88) | | | 1 | ø5/8 |
| 3 | G | E12 815 666 | UNION (LIQUID) (ø9.52) | | | 1 | ø3/8 |

2

OPTIONAL PARTS

2-1. AIR CLEANING FILTER

Every 3 months:

- Remove dirt by a vacuum cleaner.

When dirt cannot be removed by vacuum cleaning:

- Soak the filter and its frame in lukewarm water before rinsing it.
- After washing, dry it well in shade.

Every year:

- Replace it with a new air cleaning filter for best performance.

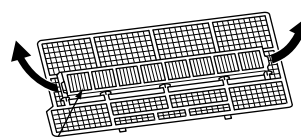
NOTE 1: Clean the filters regularly for best performance and to reduce power consumption.

NOTE 2: Dirty filters cause condensation in the air conditioner which will contribute to the growth of fungi such as mold. It is therefore recommended to clean air filters every 2 weeks.

| Model | Part No. |
|--|-------------|
| MSZ-HE09NA MSZ-HE12NA MSZ-HE15NA MSZ-HE18NA | MAC-408FT-E |

| Model | Part No. |
|------------|--------------|
| MSZ-HE24NA | MAC-2310FT-E |

Pull to remove from the air filter



Air cleaning filter
(Anti-allergy enzyme filter)



Air cleaning filter
(Electrostatic anti-allergy enzyme filter)

MITSUBISHI ELECTRIC CORPORATION

HEAD OFFICE: TOKYO BUILDING, 2-7-3, MARUNOUCHI, CHIYODA-KU, TOKYO 100-8310, JAPAN

© Copyright 2014 MITSUBISHI ELECTRIC CORPORATION

Issued: Sep. 2017. No. OBB685 REVISED EDITION-B

Issued: Nov. 2014. No. OBB685 REVISED EDITION-A

Published: Feb. 2014. No. OBB685

Made in Japan

Specifications are subject to change without notice.