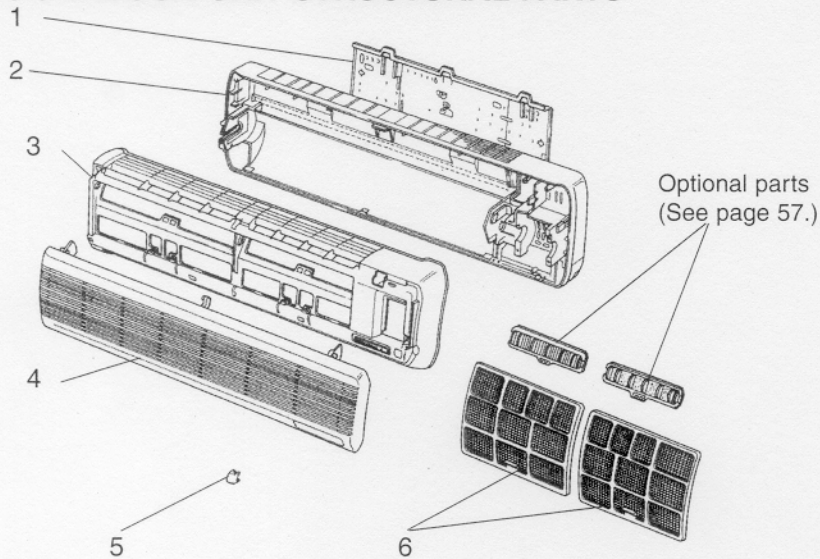
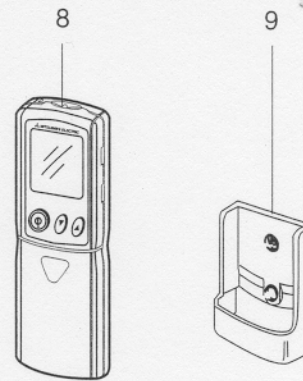


MS12TN (W)
MS15TN (W)
MS17TN (W)

13-6. INDOOR UNIT STRUCTURAL PARTS



13-7. ACCESSORY AND REMOTE CONTROLLER



Part number that is circled is not shown in the illustration.

13-6. INDOOR UNIT STRUCTURAL PARTS

No.	Parts No.	Parts Name	Symbol in Wiring Diagram	Q'ty / set			Remarks
				MS12TN (W)	MS15TN (W)	MS17TN (W)	
1	E02 141 970	INSTALLATION PLATE		1	1	1	
2	E02 143 234	BOX(W)		1	1	1	
3	E02 138 000	FRONT PANEL ASSEMBLY(W)		1	1	1	Including 4,5
4	E02 138 010	GRILLE(W)		1	1	1	
5	E02 143 067	SCREW CAP(W)		3	3	3	3PCS/SET
6	E02 141 100	AIR FILTER		2	2	2	
7	E02 470 007	LAMP PANEL		1	1	1	

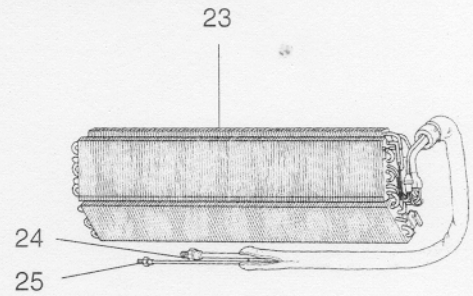
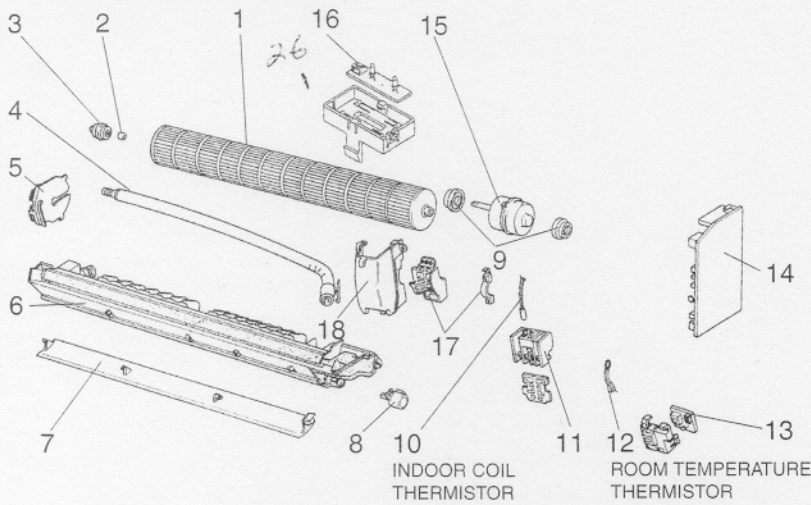
13-7. ACCESSORY AND REMOTE CONTROLLER

8	E02 541 426	REMOTE CONTROLLER		1	1	1	
9	E02 527 083	REMOTE CONTROLLER HOLDER		1	1	1	

MS12TN (W)
MS15TN (W)
MS17TN (W)

13-8. INDOOR UNIT ELECTRICAL PARTS AND FUNCTIONAL PARTS

13-9. INDOOR UNIT HEAT EXCHANGER



Part numbers that are circled are not shown in the illustration.

13-8. INDOOR UNIT ELECTRICAL PARTS AND FUNCTIONAL PARTS

No.	Parts No.	Parts Name	Symbol in Wiring Diagram	Q'ty / set			Remarks
				MS12TN (W)	MS15TN (W)	MS17TN (W)	
1	E02 141 302	LINE FLOW FAN		1	1	1	
2	E02 001 504	SLEEVE BEARING		1	1	1	
3	E02 141 509	BEARING MOUNT		1	1	1	
4	E02 408 702	DRAIN HOSE		1	1	1	
5	E02 494 512	BEARING SUPPORT		1	1	1	
6	E02 143 235	NOZZLE (W)		1	1	1	
7	E02 143 040	VANE (W)		1	1	1	
8	E02 141 303	VANE MOTOR	MV	1	1	1	
9	E02 001 505	FAN MOTOR RUBBER MOUNT		2	2	2	2PCS/SET
10	E02 138 307	INDOOR COIL THERMISTOR	RT12	1	1	1	
11	E02 268 375	TERMINAL BLOCK	TB	1	1	1	
12	E02 138 308	ROOM TEMPERATURE THERMISTOR	RT11	1	1	1	
13	E02 141 468	RECEIVER P. C. BOARD		1	1	1	
14	E02 542 450	ELECTRONIC CONTROL P.C. BOARD		1	1	1	
15	E02 270 300	INDOOR FAN MOTOR	MF	1	1		RA4W18 - □□
	E02 272 300	INDOOR FAN MOTOR	MF			1	RA4W23 - □□
16	E02 138 329	DISPLAY P.C. BOARD		1	1	1	
17	E02 138 333	MOTOR BAND ASSEMBLY		1	1	1	
18	E02 542 541	WATER CUT		1	1	1	
19	E02 270 452	AUTO RESTART ASSEMBLY		1	1	1	
20	E02 268 385	VARISTOR	NR11	1	1	1	
21	E02 268 382	FUSE	F11	1	1	1	250V 3.0A
22	E02 475 383	SURGE ABSORBER	DSAR	1	1	1	

13-9. INDOOR UNIT HEAT EXCHANGER

23	E02 141 620	INDOOR HEAT EXCHANGER		1	1	1	
24	E02 179 667	UNION(GAS)		1			φ1/2
	E02 138 666	UNION(GAS)			1	1	φ5/8
25	E02 138 667	UNION(LIQUID)		1	1	1	φ1/4

261-Dm25A687G03

OB274-55