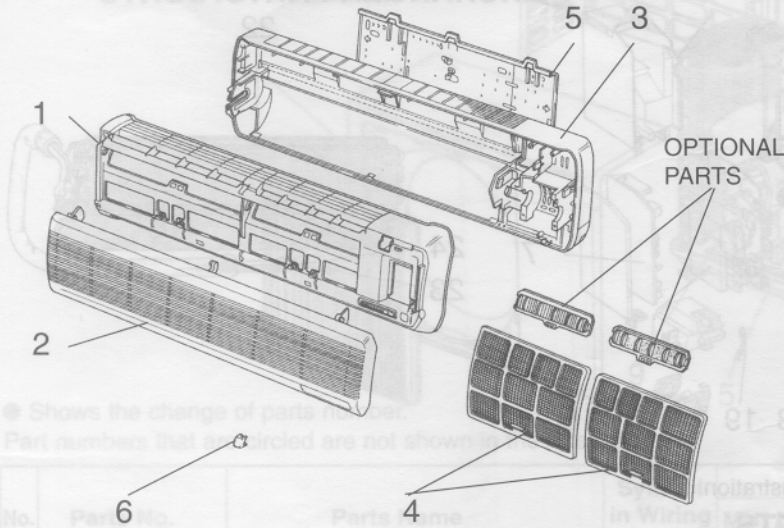
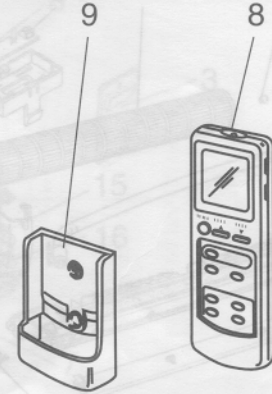


MS12NN (W) MS12NN2 (W)
 MS15NN (W) MS15NN2 (W)
 MS17NN (W) MS17NN2 (W)

13-6. INDOOR UNIT STRUCTURAL PARTS



13-7. ACCESSORY AND REMOTE CONTROLLER



This figure shows about MS12/15/17NN2.

Part number that is circled is not shown in the illustration.

13-6. INDOOR UNIT STRUCTURAL PARTS

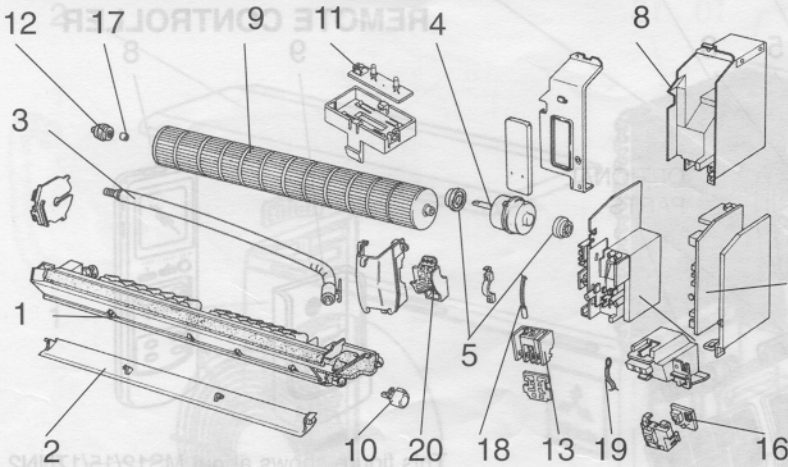
No.	Parts No.	Parts Name	Symbol in Wiring Diagram	Q'ty / set						Remarks (Drawing No.)
				MS 12NN (W)	MS 12NN2 (W)	MS 15NN (W)	MS 15NN2 (W)	MS 17NN (W)	MS 17NN2 (W)	
1	E02 270 000	FRONT PANEL (W)		1						
	E02 271 000	FRONT PANEL (W)				1				
	E02 272 000	FRONT PANEL (W)					1			
	E02 138 000	FRONT PANEL (W)			1	1		1		
2	E02 138 010	GRILLE (W)		1	1	1	1	1	1	
3	E02 143 234	BOX(W)		1	1	1	1	1	1	
4	E02 141 100	AIR FILTER		2	2	2	2	2	2	
5	E02 141 970	INSTALLATION PLATE		1	1	1	1	1	1	
6	E02 143 067	SCREW CAP (W)		3	3	3	3	3	3	3PCS/SET
⑦	E02 270 007	LAMP PANEL		1	1					
	E02 271 007	LAMP PANEL				1	1			
	E02 272 007	LAMP PANEL						1	1	

13-7. ACCESSORY AND REMOTE CONTROLLER

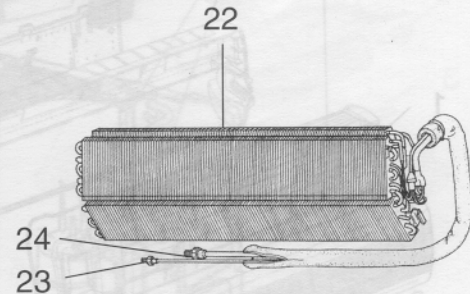
8	E02 268 426	REMOTE CONTROLLER		1		1		1		
	E02 474 426	REMOTE CONTROLLER			1		1		1	
9	E02 141 083	REMOTE CONTROLLER HOLDER		1	1	1	1	1	1	

MS12NN (W) MS12NN2 (W)
 MS15NN (W) MS15NN2 (W)
 MS17NN (W) MS17NN2 (W)

13-8. INDOOR UNIT ELECTRICAL PARTS



13-9. INDOOR UNIT HEAT EXCHANGER PARTS



● Shows the change of parts number.
 Part numbers that are circled are not shown in the illustration.

13-8. INDOOR UNIT ELECTRICAL PARTS

No.	Parts No.	Parts Name	Symbol in Wiring Diagram	Q'ty / set						Remarks (Drawing No.)
				MS 12NN (W)	MS 12NN2 (W)	MS 15NN (W)	MS 15NN2 (W)	MS 17NN (W)	MS 17NN2 (W)	
1	E02 143 235	NOZZLE (W)		1	1	1	1	1	1	FAN GUARD
2	E02 143 040	VANE (W)		1	1	1	1	1	1	
3	E02 141 702	DRAIN HOSE		1		1		1		
	E02 408 702	DRAIN HOSE			1	1			1	
4	E02 270 300	INDOOR FAN MOTOR	MF	1	1	1	1			RA4W18 - □□
	E02 272 300	INDOOR FAN MOTOR	MF					1	1	RA4W23 - □□
5	E02 001 505	RUBBER MOUNT		2	2	2	2	2	2	2PCS/SET
⑥	E02 270 452	AUTO RESTART ASSEMBLY		1	1	1	1	1	1	
7	E02 270 450	ELECTRONIC CONTROL P.C. BOARD		1	1					
	E02 271 450	ELECTRONIC CONTROL P.C. BOARD				1	1			
	E02 272 450	ELECTRONIC CONTROL P.C. BOARD						1	1	
8	E02 270 081	ELECTRICAL BOX		1	1	1	1	1	1	
9	E02 141 302	LINE FLOW FAN		1	1	1	1	1	1	
10	E02 141 303	VANE MOTOR	MV	1	1	1	1	1	1	
11	E02 138 329	DISPLAY P.C. BOARD		1	1	1	1	1	1	
12	E02 141 509	BEARING MOUNT		1	1	1	1	1	1	
13	E02 268 375	TERMINAL BLOCK	TB	1	1	1	1	1	1	
⑭	E02 268 385	VARISTOR	NR11	1	1	1	1	1	1	
⑮	E02 268 382	FUSE	F11	1	1	1	1	1	1	250V 3.0A
16	E02 141 468	RECEIVER P. C. BOARD		1	1	1	1	1	1	
17	E02 001 504	SLEEVE BEARING		1	1	1	1	1	1	
18	E02 138 307	INDOOR COIL THERMISTOR	RT12	1	1	1	1	1	1	
19	E02 138 308	ROOM TEMPERATURE THERMISTOR	RT11	1	1	1	1	1	1	
20	E02 138 333	MOTOR BAND		1	1	1	1	1	1	
⑰	E02 475 383	SURGE ABSORBER	DSAR	1	1	1	1	1	1	

13-9. INDOOR UNIT HEAT EXCHANGER

22	E02 141 620	INDOOR HEAT EXCHANGER		1	1	1	1	1	1	
23	E02 138 667	UNION(LIQUID)		1	1	1	1	1	1	φ1/4
24	E02 138 666	UNION(GAS)		1	1	1	1	1	1	φ5/8