

SERVICE PARTS LIST FOR MITSUBISHI ELECTRIC PACKAGED AIR-CONDITIONERS

Series : CMB

REVISED

Nov. 2020

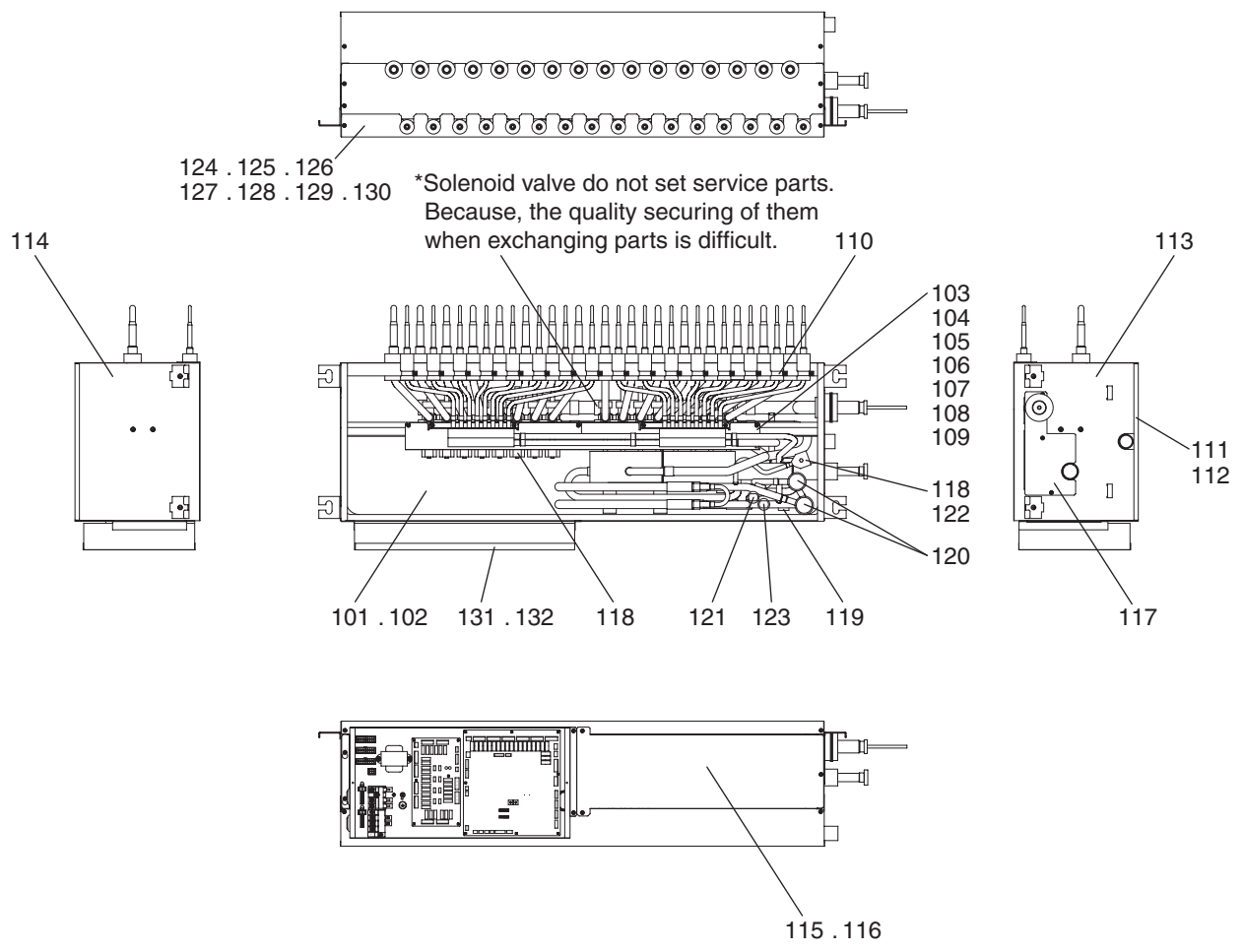
BWE01513C

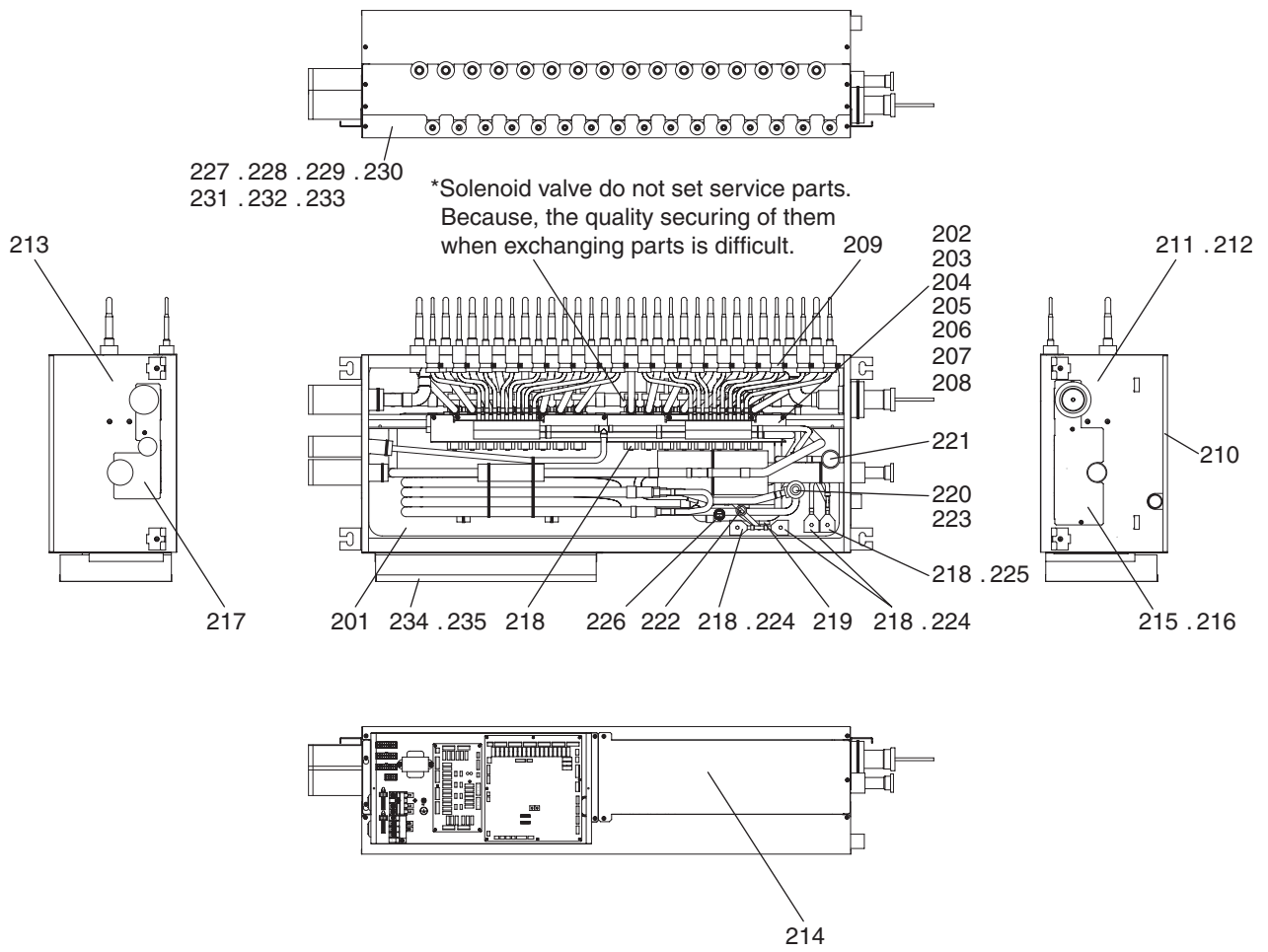
INDEX
CMB-P104NU-G1
CMB-P105NU-G1
CMB-P106NU-G1
CMB-P108NU-G1
CMB-P1010NU-G1
CMB-P1013NU-G1
CMB-P1016NU-G1
CMB-P108NU-GA1
CMB-P1010NU-GA1
CMB-P1013NU-GA1
CMB-P1016NU-GA1
CMB-P104NU-GB1
CMB-P108NU-GB1
CMB-P108NU-HA1
CMB-P1010NU-HA1
CMB-P1016NU-HA1
CMB-P1016NU-HB1

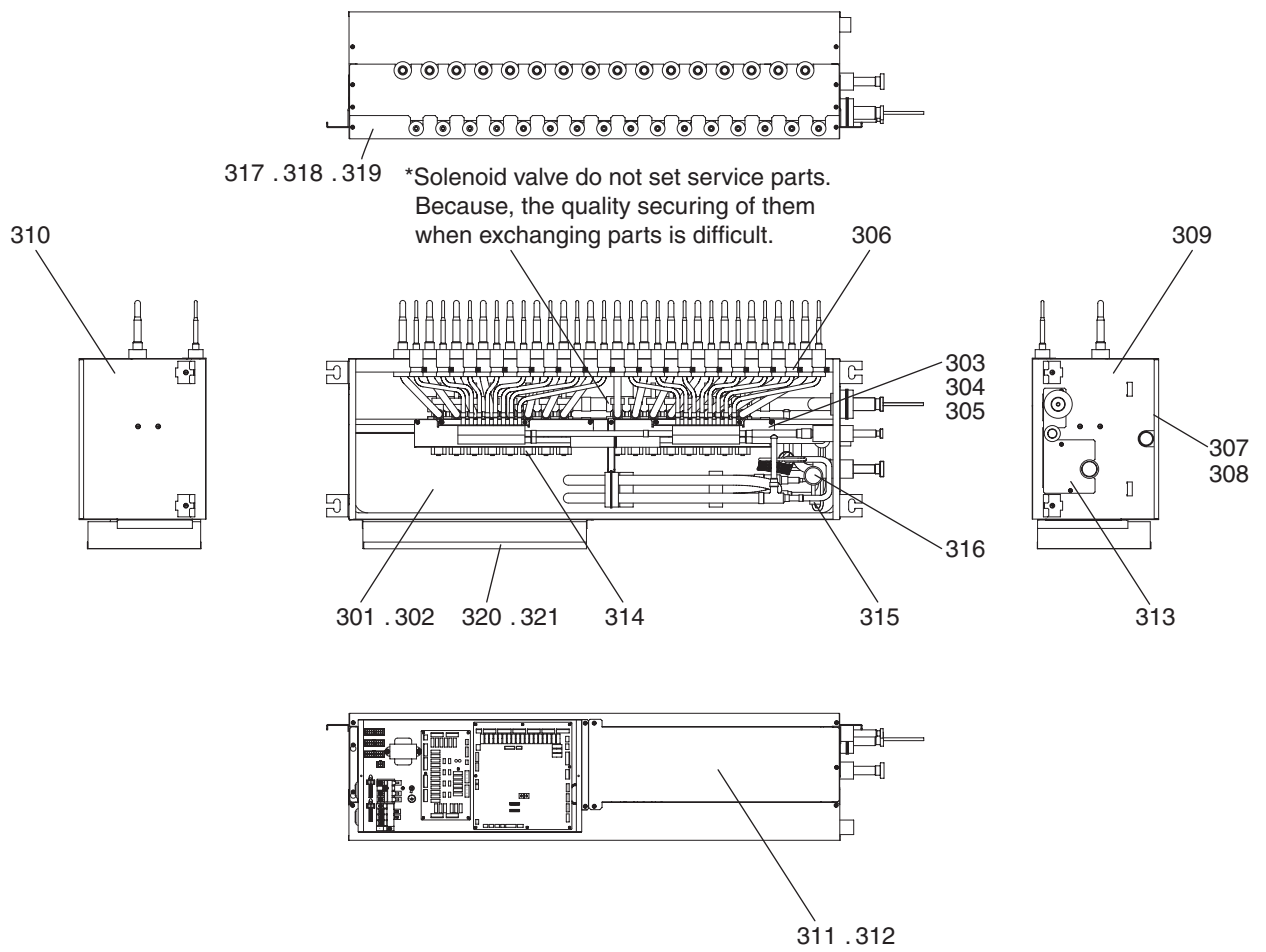
Part information update day : 2020/11/26

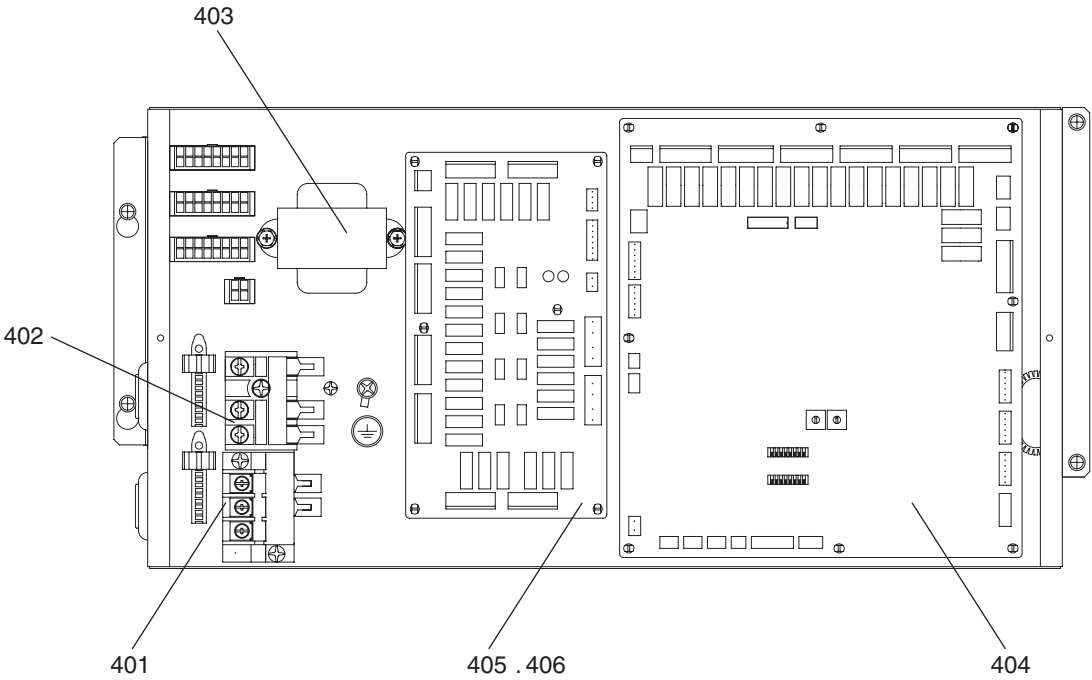
Please change the old catalog (issued May 2017, No.BWE01513B) to this new catalog.
Content of revision : Some of parts are changed.











CMB-P108,P1010,P1013,P1016NU-GA1 CONTROL BOX PARTS (2)
CMB-P108,P1010,P1016NU-HA1

