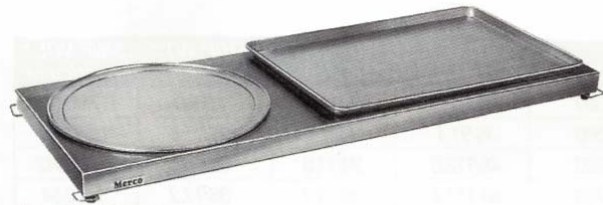




## **PARTS & SERVICE MANUAL for TS-24, 36, 48, 60 and 72 Thermal Shelves**



*Model TS-48 Shown*

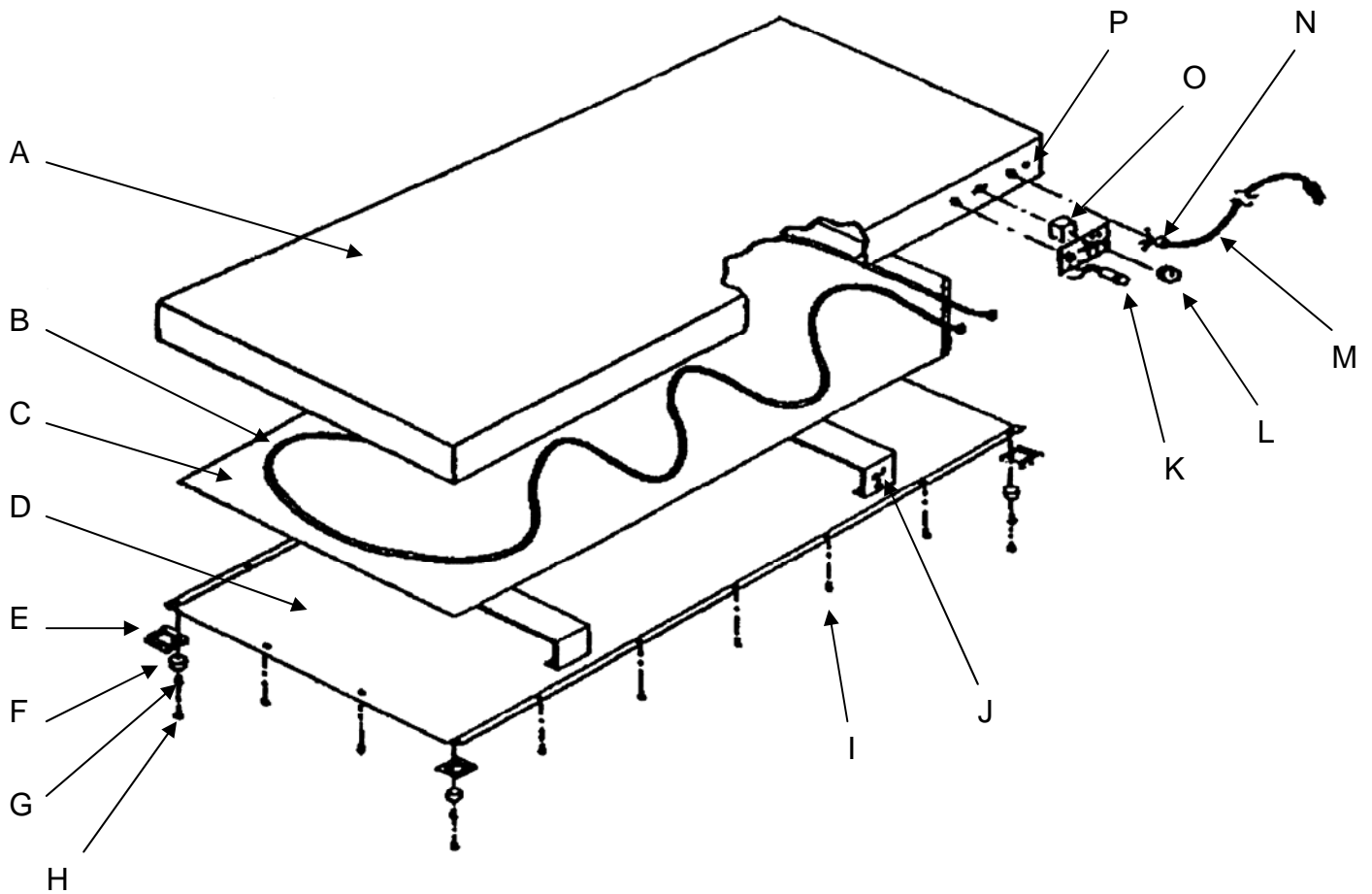
The Merco Thermal Shelves are manufactured from .090" aluminum specifically selected for even heat transfer. All units are heliarc welded for strength and rust-free long life. The insulated heat and cable base combined with the infinitely adjustable heat control lets you "dial-in" precise warming for any requirement.

The Merco thermal Shelves are engineered for efficient, dependable service throughout the years. Like any piece of fine equipment with moving parts and broad temperature ranges, physical wear takes its toll. When this happens, the information found in this manual will prove very helpful. Although the instructions are easy to follow, all repair procedures should be carried out by a qualified Merco Certified Service Representative.



**• THIS MANUAL SHOULD BE RETAINED FOR FUTURE REFERENCE •**

## TS REPLACEMENT PARTS



• Common Parts To All •

ITEM #	DESCRIPTION	PART #
A	Thermal Base	See List
B	Thermal Cable (Voltage & Size)	See List
C	Coil Cover	See List
D	Bottom Cover	See List
E	Corner Guard	080001
F	Foot, Phenolic	000329
G	No Longer Used	N/A
H	Screw, Foot	000604
I	Screws	000591
J	Coil Cover Insert	080002
K	Pilot Light	000274
L	Knob (Inf Control)	000320
M	Cordset, Voltage	See List
N	HEYCO Bushing	See List
O	Infinite Control (Voltage)	See List
P		

## TS-24/B

ITEM #	PART #	DESCRIPTION	QUANTITY / UNIT
A	**	Thermal Base, TS-24	1
B	111560	Thermal Cable, 120V, 300W, 6.5'	1
	111561	Thermal Cable, 208V, 300W, 6.5'	1
	111562	Thermal Cable, 240V, 300W, 6.5'	1
C	**	Coil Cover	1
D	**	Bottom Cover	1
E	080001	Corner Guards	4
F	000329	Foot, Rubber	4
H	000604	Screw, Foot	4
J	080002	Coil Cover Insert	2
K	000274	Pilot Light	1
L	000320	Knob, For "O"	1
M	072036	Cordset, 120V	1
	072037	Cordset, 208V & 240V	1
N	000170	HEYCO, Strain Relief	1
O	050377	Infinite Control, 120V	1
	050378	Infinite Control, 208V & 240V	1

NOTE: All parts listed above are for standard units only. Please call factory for [custom](#) sizes.

## TS-36/B

ITEM #	PART #	DESCRIPTION	QUANTITY / UNIT
A	**	Thermal Base, TS-24	1
B	111661	Thermal Cable, 120V, 500W, 11'	1
	111662	Thermal Cable, 208V, 500W, 11'	1
	111663	Thermal Cable, 240V, 500W, 11'	1
C	**	Coil Cover	1
D	**	Bottom Cover	1
E	080001	Corner Guards	4
F	000329	Foot, Rubber	4
H	000604	Screw, Foot	4
J	080002	Coil Cover Insert	3
K	000274	Pilot Light	1
L	000320	Knob, For "O"	1
M	072036	Cordset, 120V	1
	072037	Cordset, 208V & 240V	1
N	000170	HEYCO, Strain Relief	1
O	050377	Infinite Control, 120V	1
	050378	Infinite Control, 208V & 240V	1

NOTE: All parts listed above are for standard units only. Please call factory for [custom](#) sizes.

**TS-48/B**

ITEM #	PART #	DESCRIPTION	QUANTITY / UNIT
A	**	Thermal Base, TS-24	1
B	111661	Thermal Cable, 120V, 500W, 11'	1
	111662	Thermal Cable, 208V, 500W, 11'	1
	111663	Thermal Cable, 240V, 500W, 11'	1
C	**	Coil Cover	1
D	**	Bottom Cover	1
E	080001	Corner Guards	4
F	000329	Foot, Rubber	4
H	000604	Screw, Foot	4
J	080002	Coil Cover Insert	4
K	000274	Pilot Light	1
L	000320	Knob, For "O"	1
M	072036	Cordset, 120V	1
	072037	Cordset, 208V & 240V	1
N	000170	HEYCO, Strain Relief	1
O	050377	Infinite Control, 120V	1
	050378	Infinite Control, 208V & 240V	1

NOTE: All parts listed above are for standard units only. Please call factory for [custom](#) sizes.

**TS-60/B**

ITEM #	PART #	DESCRIPTION	QUANTITY / UNIT
A	**	Thermal Base, TS-24	1
B	111775	Thermal Cable, 120V, 750W, 14'	1
	111776	Thermal Cable, 208V, 750W, 14'	1
	111777	Thermal Cable, 240V, 750W, 14'	1
C	**	Coil Cover	1
D	**	Bottom Cover	1
E	080001	Corner Guards	4
F	000329	Foot, Rubber	4
H	000604	Screw, Foot	4
J	080002	Coil Cover Insert	5
K	000274	Pilot Light	1
L	000320	Knob, For "O"	1
M	072036	Cordset, 120V	1
	072037	Cordset, 208V & 240V	1
N	000170	HEYCO, Strain Relief	1
O	050377	Infinite Control, 120V	1
	050378	Infinite Control, 208V & 240V	1

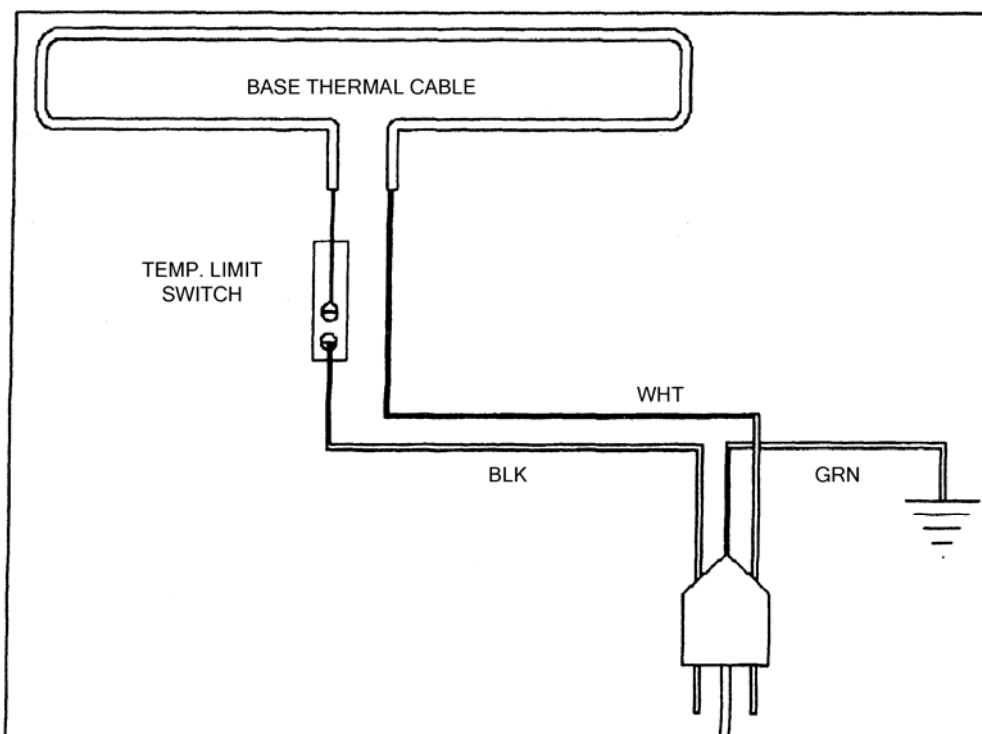
NOTE: All parts listed above are for standard units only. Please call factory for [custom](#) sizes.

## TS-72/B

ITEM #	PART #	DESCRIPTION	QUANTITY / UNIT
A	**	Thermal Base, TS-24	1
B	111775	Thermal Cable, 120V, 750W, 14'	1
	111776	Thermal Cable, 208V, 750W, 14'	1
	111777	Thermal Cable, 240V, 750W, 14'	1
C	**	Coil Cover	1
D	**	Bottom Cover	1
E	080001	Corner Guards	4
F	000329	Foot, Rubber	4
H	000604	Screw, Foot	4
J	080002	Coil Cover Insert	6
K	000274	Pilot Light	1
L	000320	Knob, For "O"	1
M	072036	Cordset, 120V	1
	072037	Cordset, 208V & 240V	1
N	000170	HEYCO, Strain Relief	1
O	050377	Infinite Control, 120V	1
	050378	Infinite Control, 208V & 240V	1

NOTE: All parts listed above are for standard units only. Please call factory for [custom](#) sizes.

## WIRING DIAGRAM



## THERMAL SHELF TROUBLESHOOTING CHART

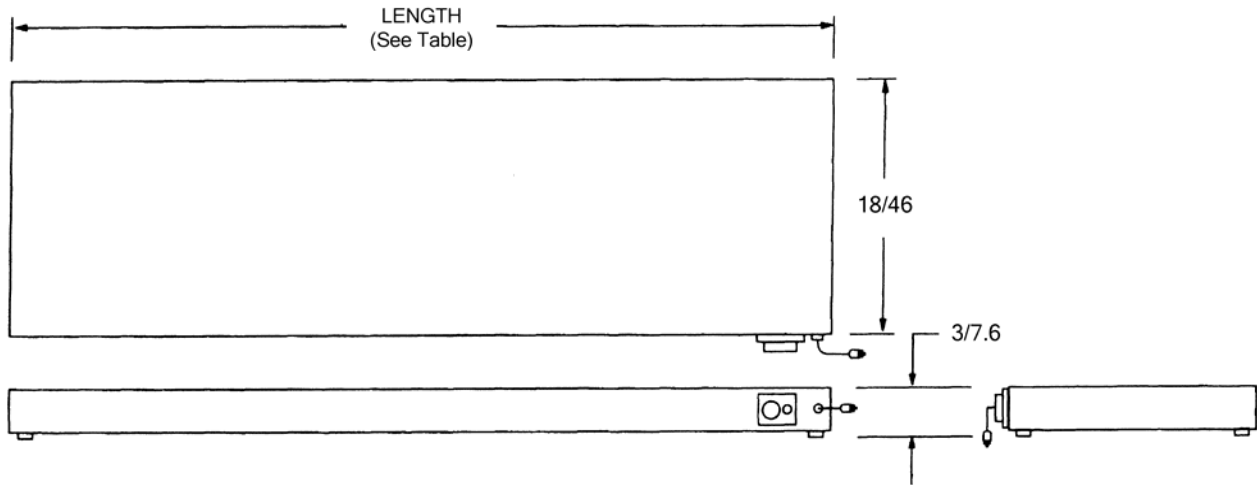
PROBLEM	REMEDY
Unit won't heat	A. Is unit plugged in?
	B. Is switch turned on?
	C. Check cord and main power leads.
	D. Check Thermal Cable
	E. Check switch.
Unit temperature does not change after adjusting Infinite Control up or down.	A. Infinite Control has failed and needs to be replaced.
	Note: Not applicable on units with Toggle Switch.

## THERMAL CABLE REPLACEMENT INSTRUCTIONS

1. Disconnect power supply from the unit.
2. Turn unit upside down.
3. Remove screws holding bottom cover.
4. Remove bottom cover.
5. Remove coil cover inserts.
6. Remove coil cover.
7. Disconnect Thermal Cable from switch.
8. Remove tape holding Thermal Cable to base.
9. Remove Thermal Cable from the unit.
10. Reassemble in reverse order.

## DIMENSIONS

(inches/cm)



## SPECIFICATIONS

(Standard Models)

Model #	Voltage / Amps			Watts	Length Inches/cm	Net Wt.* lbs./kg.	Ship Wt.* lbs./kg.	Ship Vol.* cu. ft./cu. m.
	120	208	240					
TS-24	2.5	1.4	1.3	300	24/61.0	13/6.0	19/9.0	0.75/0.021
TS-36	4.2	2.4	2.1	500	36/91.4	18/8.2	25/11.4	1.1/0.031
TS-48	4.2	2.4	2.1	500	48/122.0	24/11.0	32/15.0	1.5/0.042
TS-60	6.3	3.6	3.1	750	60/152.4	29/13.2	38/17.3	1.9/0.54
TS-72	6.3	3.6	3.1	750	72/183.0	35/16.0	45/20.4	2.3/0.07



Merco Savory, LLC  
1111 North Hadley Road  
Fort Wayne, Indiana 46804  
United States of America

Telephone: (260) 459-8200  
U.S. Fax: (888) 790-8193 • Int'l Fax: (260) 436-0735

Service Hotline: (800) 678-9511

[www.mercosavory.com](http://www.mercosavory.com)

