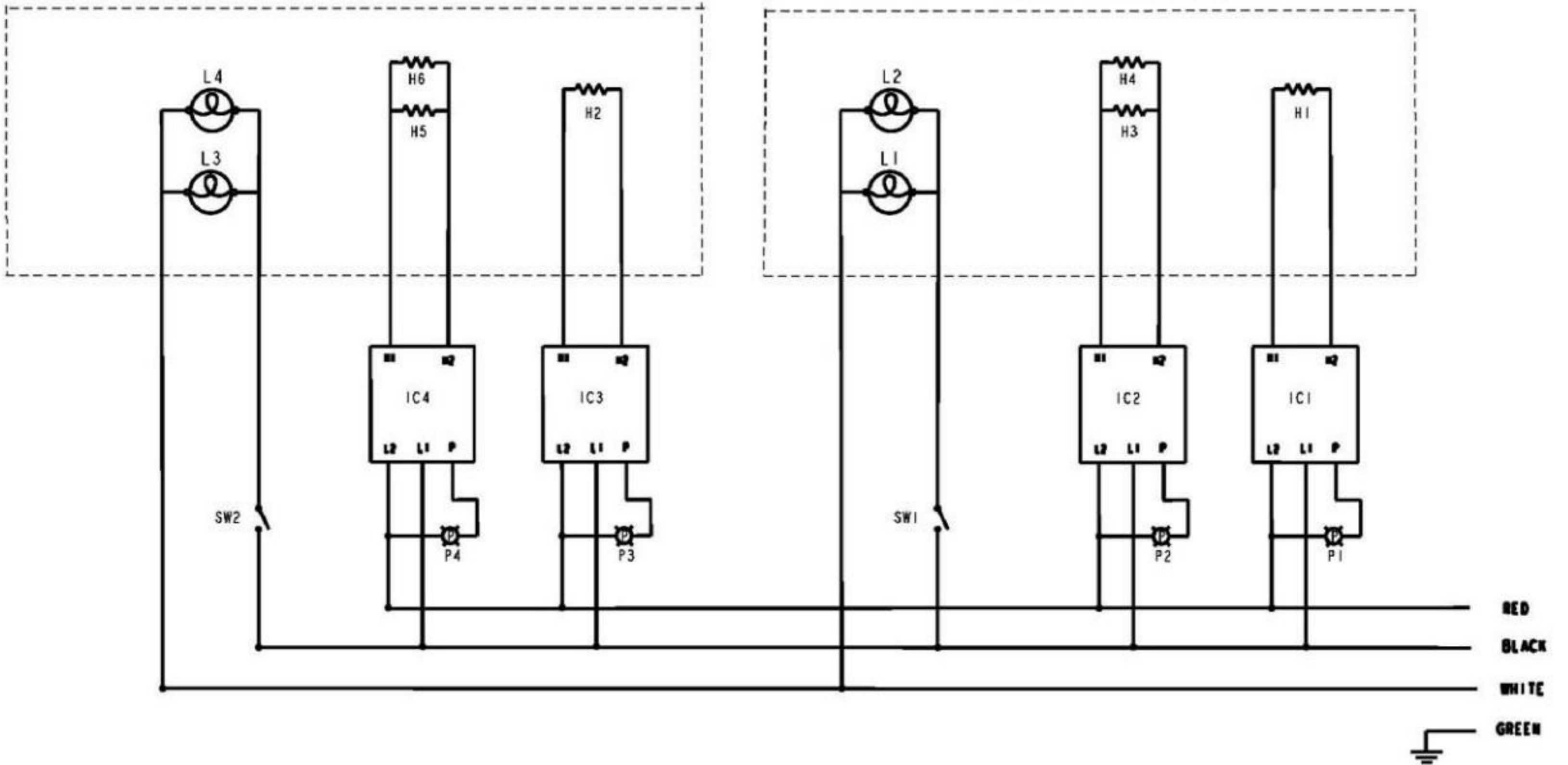
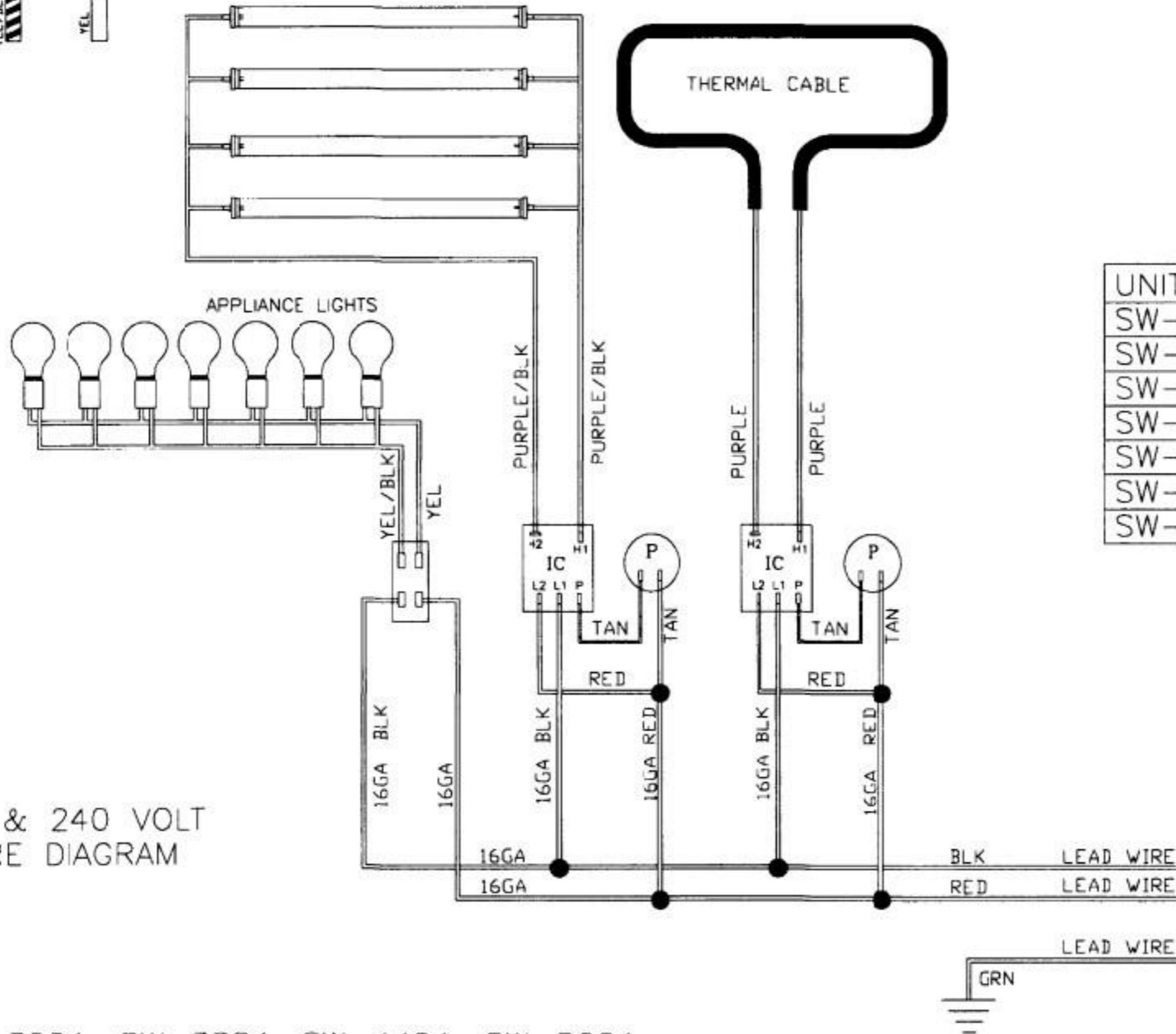
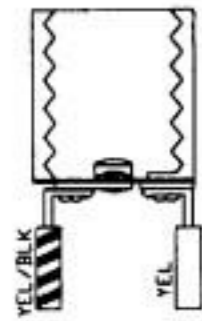


UPPER HEATING ZONE

LOWER HEATING ZONE



NOTE:
YELLOW WIRE IS NEUTRAL
CONNECTION TO SHELL OF
SOCKET. (AS ILLUSTRATED)

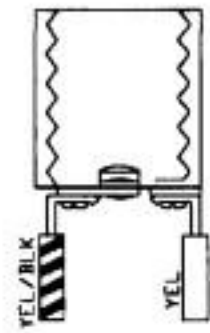


UNIT	LEAD WIRE TO POWER
SW-3224	16 GA
SW-3824	16 GA
SW-4424	16 GA
SW-5024	208V 14GA, 240V 16GA
SW-6224	14 GA
SW-7424	14 GA
SW-8024	14 GA

208 & 240 VOLT
WIRE DIAGRAM

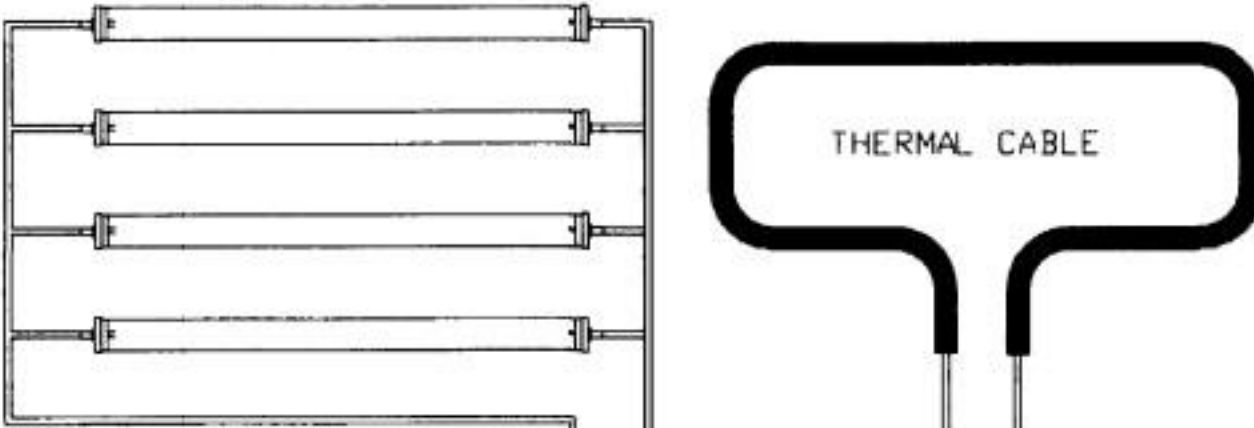
SW-3224, SW-3824, SW-4424, SW-5024,
SW-6224, SW-7424, SW-8024, 208 VOLT &
240 Volt Wiring Diagram

NOTE:
YELLOW WIRE IS NEUTRAL
CONNECTION TO SHELL OF
SOCKET. (AS ILLUSTRATED)

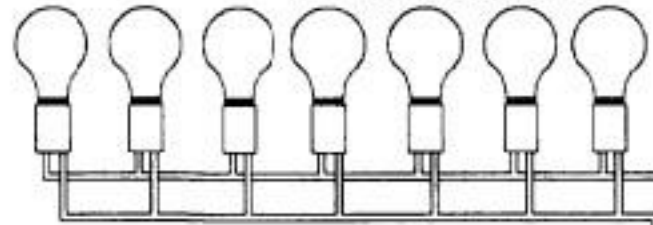


EZ HEATING TUBE ASSY

THERMAL CABLE

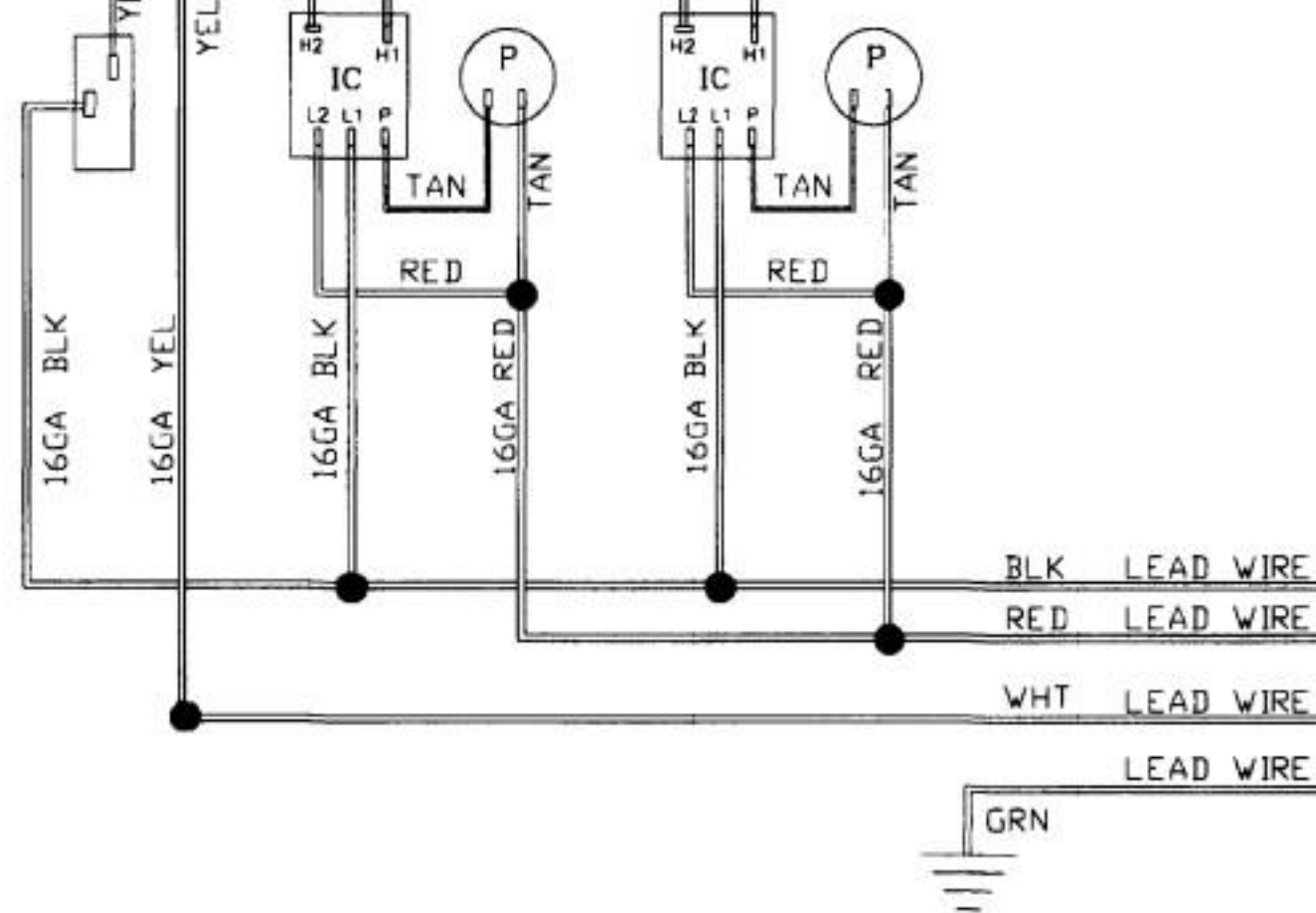


APPLIANCE LIGHTS



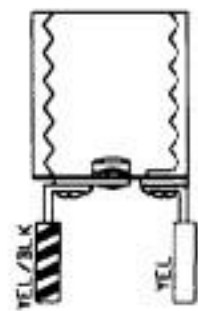
UNIT	LEAD WIRE TO POWER
SW-3224	16 GA
SW-3824	16 GA
SW-4424	120/208V 14 GA 120/240V 16 GA
SW-5024	14 GA
SW-6224	14 GA
SW-7424	14 GA
SW-8024	14 GA

120/208 &
120/240 VOLT
WIRE DIAGRAM



BLK LEAD WIRE
RED LEAD WIRE
WHT LEAD WIRE
LEAD WIRE
GRN

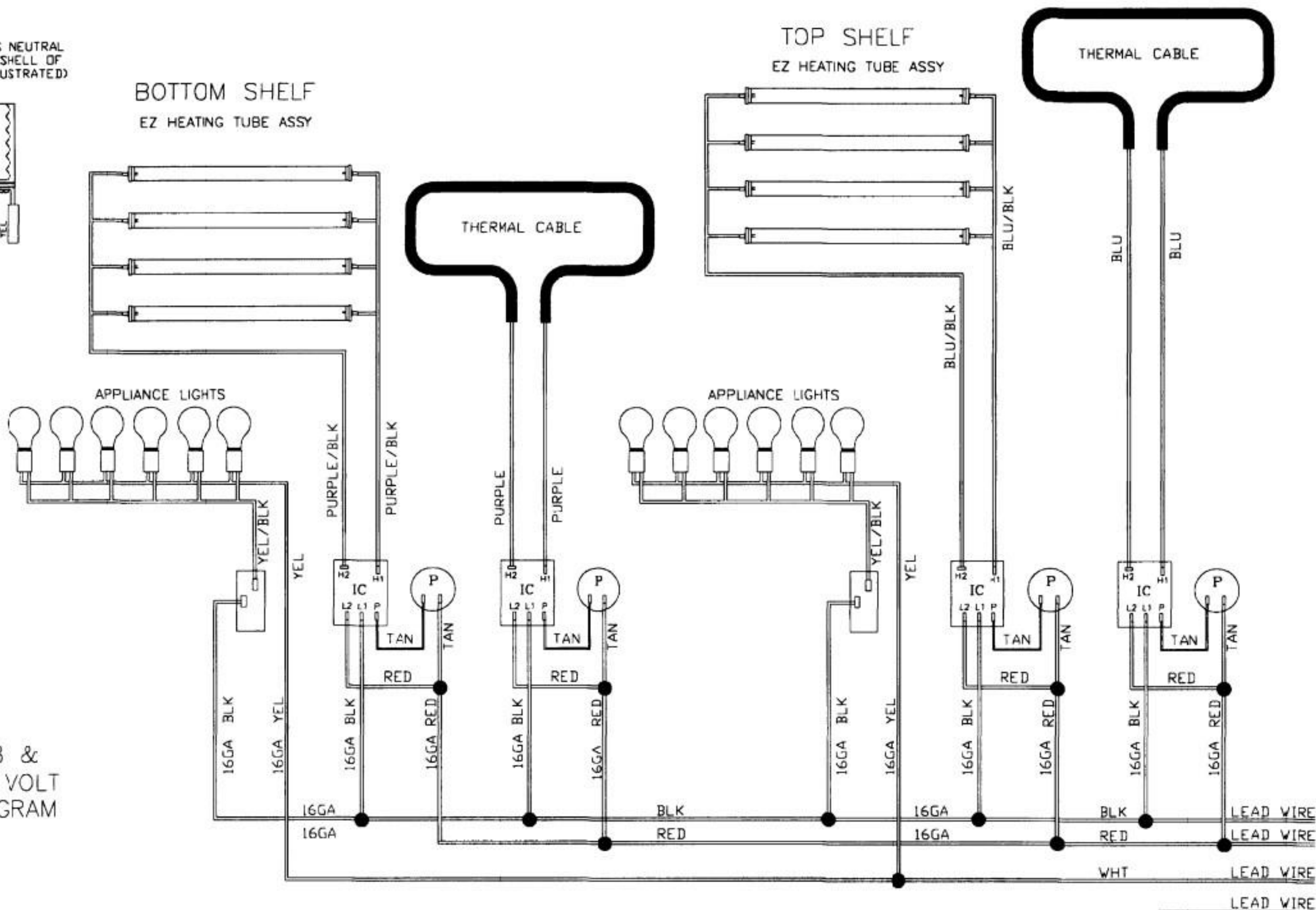
NOTE:
YELLOW WIRE IS NEUTRAL
CONNECTION TO SHELL OF
SOCKET. (AS ILLUSTRATED)



BOTTOM SHELF
EZ HEATING TUBE ASSY

TOP SHELF
EZ HEATING TUBE ASSY

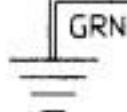
THERMAL CABLE



120/208 &
120/240 VOLT
WIRE DIAGRAM

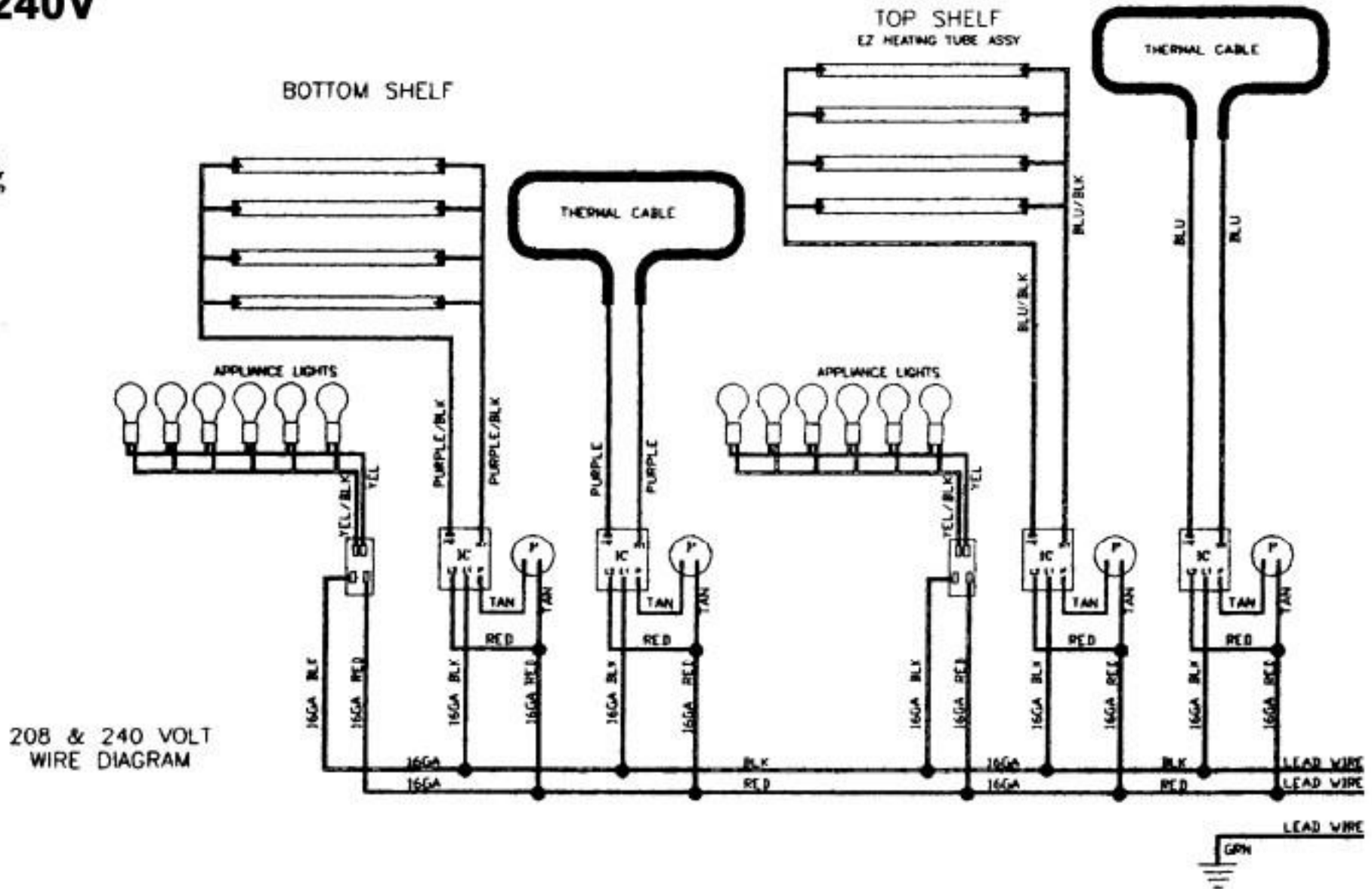
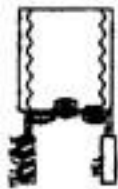
NOTE:
1. TYPE AF (MIN. 150") WIRE USED
16 GA. WIRE UNLESS OTHERWISE NOTED
SF-2 (SRML) WIRE USED ON LEADS FROM BULBS (200°C)

UNIT	LEAD WIRE TO POWER
2TSW-3224	14 GA
2TSW-3824	14 GA
2TSW-4424	14 GA
2TSW-5024	12 GA
2TSW-6224	12 GA



2TSW-3224, 208 & 240V
2TSW-3824, 208 & 240V
2TSW-4424, 208 & 240V
2TSW-5024, 208 & 240V
2TSW-6224, 208 & 240V
2TSW-7424, 240V

NOTE:
YELLOW WIRE IS NEUTRAL
CONNECTION TO SHELL OF
SOCKET. (AS ILLUSTRATED)

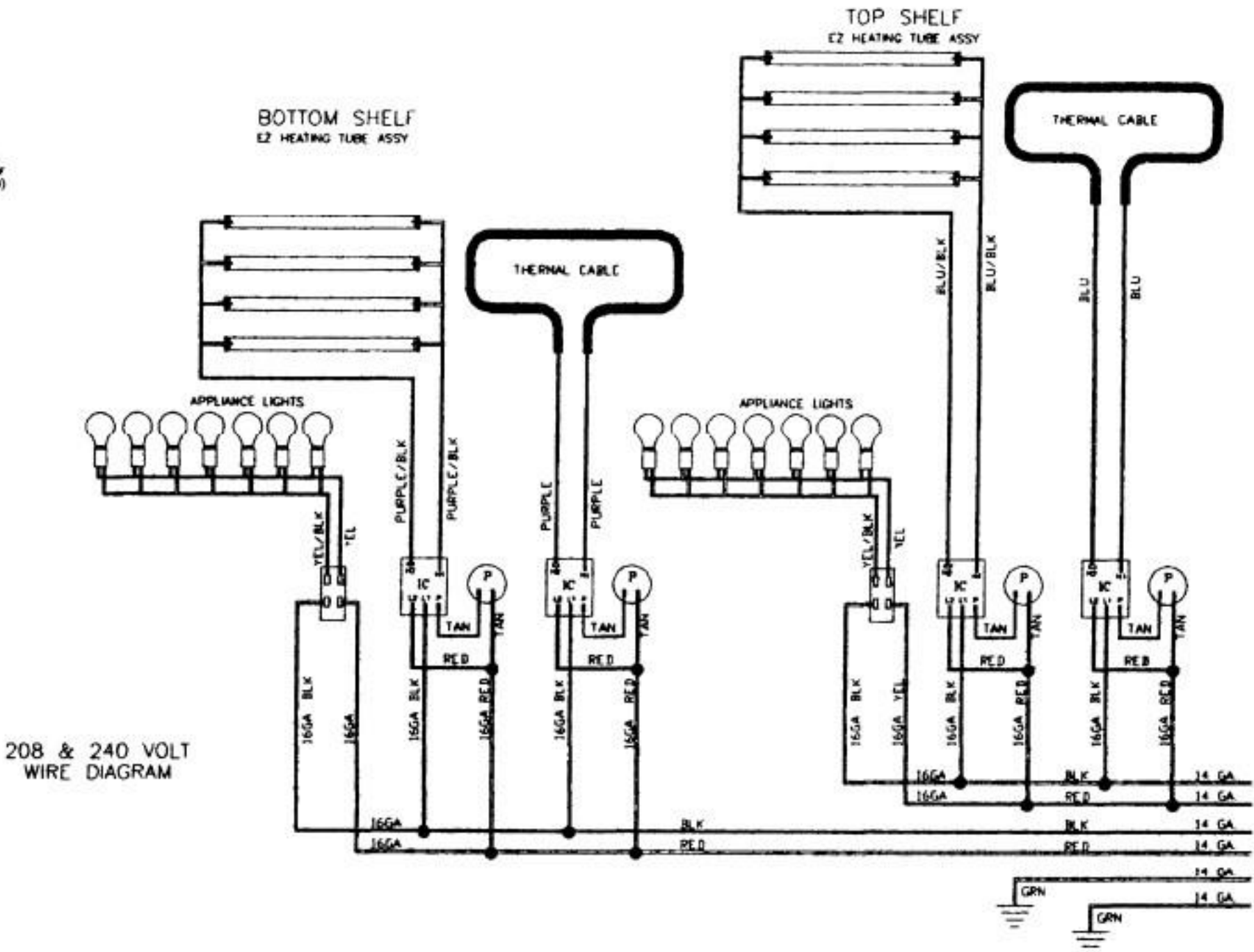


208 & 240 VOLT
WIRE DIAGRAM

NOTE:
1. TYPE AF (MIN. 150') WIRE USED
16 GA. WIRE UNLESS OTHERWISE NOTED

UNIT	LEAD WIRE TO POWER
2TSW-3224	14 GA
2TSW-3824	14 GA
2TSW-4424	14 GA
2TSW-5024	14 GA
2TSW-6224	12 GA
2TSW-7424	12 GA

NOTE:
YELLOW WIRE IS NEUTRAL
CONNECTION TO SHELL OF
SOCKET. (AS ILLUSTRATED)

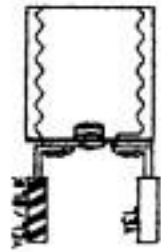


208 & 240 VOLT
WIRE DIAGRAM

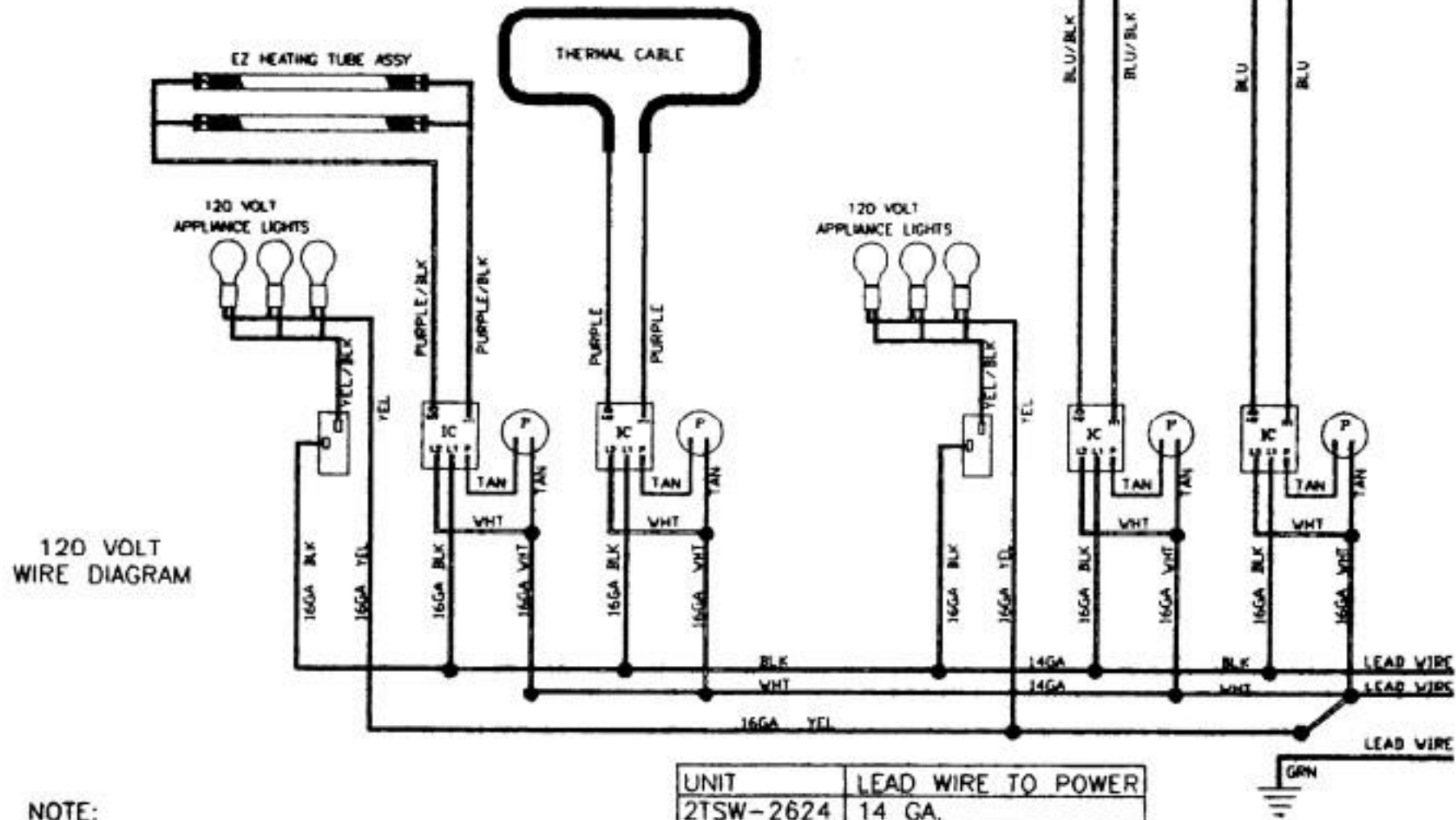
NOTE:
1. TYPE AF (MIN. 150") WIRE USED
16 GA. WIRE UNLESS OTHERWISE NOTED
SF-2 (SRML) WIRE USED ON LEADS FROM BULBS (200°C)

NOTE:
YELLOW WIRE IS NEUTRAL
CONNECTION TO SHELL OF
SOCKET. (AS ILLUSTRATED)

TOP SHELF



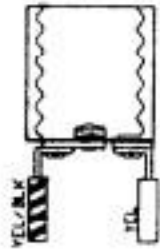
BOTTOM SHELF



NOTE:
1. TYPE OF WIRE USED (150°C)
16 GA. WIRE UNLESS OTHERWISE NOTED
SF-2 (SRML) WIRE USED ON LEADS FROM BULBS (200°C)

UNIT	LEAD WIRE TO POWER
2TSW-2624	14 GA.
2TSW-3224	12 GA.

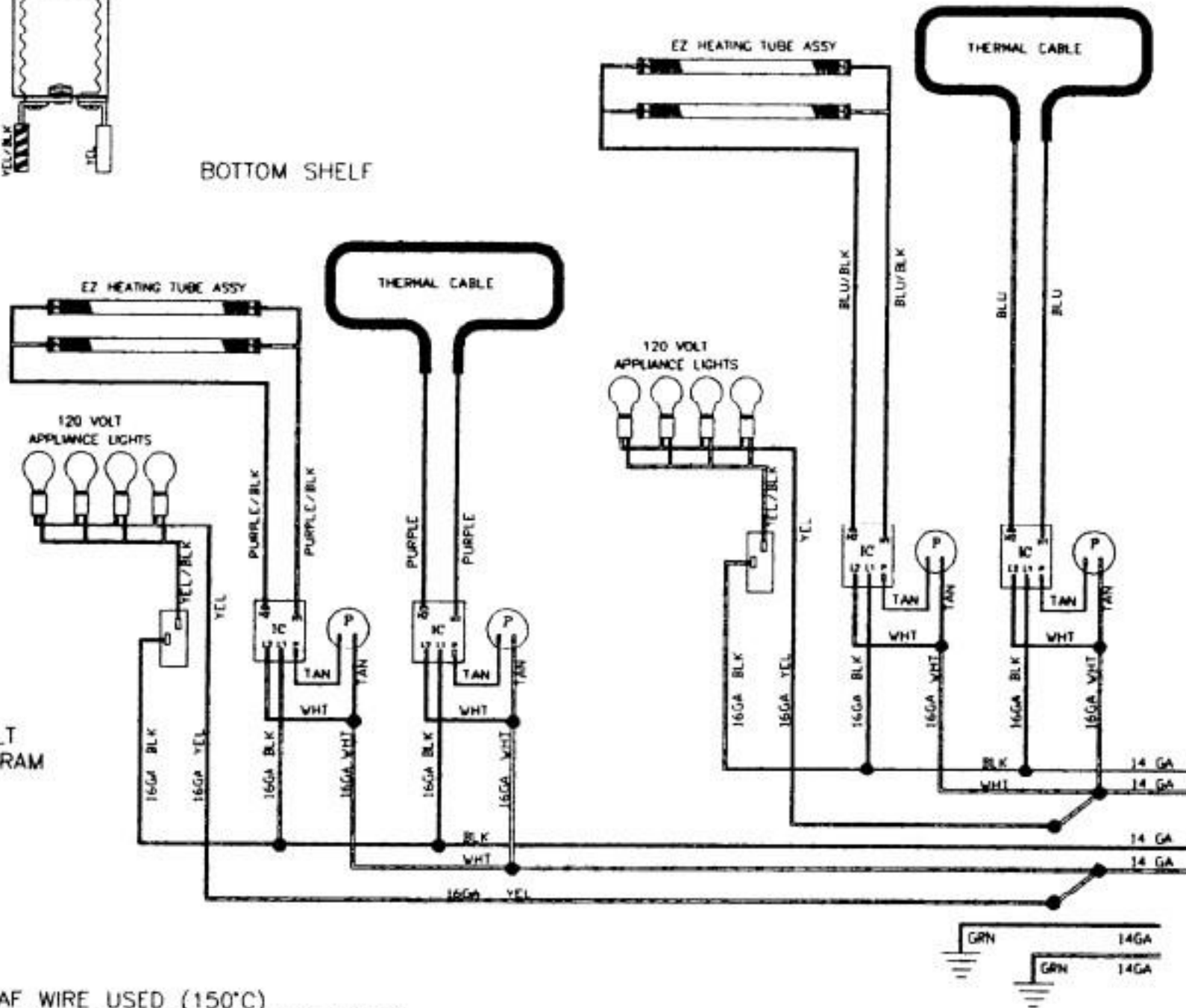
NOTE:
YELLOW WIRE IS NEUTRAL
CONNECTION TO SHELL OF
SOCKET. (AS ILLUSTRATED)



BOTTOM SHELF

TOP SHELF

120 VOLT
WIRE DIAGRAM



NOTE:
1. TYPE OF WIRE USED (150°C)
16 GA. WIRE UNLESS OTHERWISE NOTED
SF-2 (SRML) WIRE USED ON LEADS FROM BULBS (200°C)