

Visual Holding Cabinet (MHU)

Parts Manual

This manual is updated as new information and models are released. Visit our website for the latest manual.



Part Number: MER_P_8197497 05/2023

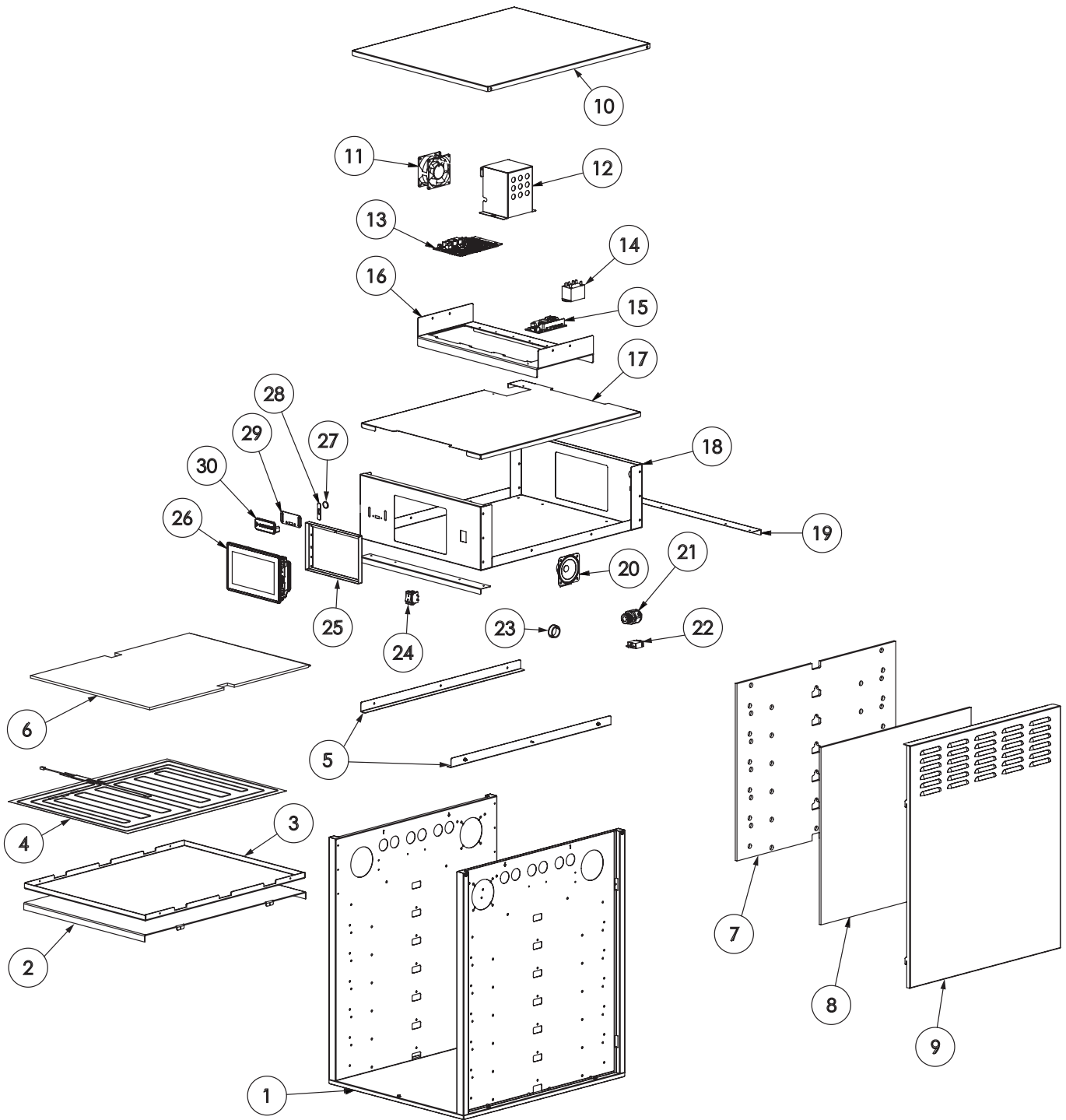
NOTICE

IF, DURING THE WARRANTY PERIOD, THE CUSTOMER USES A PART FOR THIS WELBILT EQUIPMENT OTHER THAN AN UNMODIFIED NEW OR RECYCLED PART PURCHASED DIRECTLY FROM MERCO, OR ANY OF ITS FACTORY AUTHORIZED SERVICERS, AND/OR THE PART BEING USED IS MODIFIED FROM ITS ORIGINAL CONFIGURATION, THIS WARRANTY WILL BE VOID. FURTHER, MERCO AND ITS AFFILIATES WILL NOT BE LIABLE FOR ANY CLAIMS, DAMAGES OR EXPENSES INCURRED BY THE CUSTOMER WHICH ARISE DIRECTLY OR INDIRECTLY, IN WHOLE OR IN PART, DUE TO THE INSTALLATION OF ANY MODIFIED PART AND/OR PART RECEIVED FROM AN UNAUTHORIZED SERVICER.

Table of Contents

| | |
|--------------------------------|---|
| MHU-63 Common Components | 2 |
|--------------------------------|---|

MHU63 Common Components



MHU63 Common Components

| ITEM | PART NUMBER | DESCRIPTION | NOTE |
|------|-------------|-----------------------------------|--|
| | 1087683 | COMPLETE CABINET ASSEMBLY (MHU63) | |
| 1 | 1087679 | BASE ASSY, MHU W/ TOWERS | |
| 2 | 8104839 | SHELF, HEATER LOWER MHU | |
| 3 | 8104840 | SHELF, HEATER UPPER MHU | |
| √ | 4 | 8076230 | HEATER, PAD 240v 200w |
| | 5 | 1087677 | HOLDOWN ASSY, SHELF SUPPORT |
| | 6 | 8161150 | INSULATION, SHELF MHU |
| | 7 | 8161153 | INSULATION, TOWER MHU |
| | 8 | 8161154 | INSULATION SIDE PANEL 6X3 |
| | 9 | 2602002 | PANEL, SIDE LH 4-HIGH |
| | 10 | 2602003 | COVER, TOP MHU |
| | 11 | 8076256 | MOTOR, FAN 12VDC 80 X 80 X 38 MM |
| | 12 | 2602054 | FAN, SHROUD MHU |
| √ | 13 | 8263474 | BOARD, I/O MHU (8076261) |
| √ | 14 | 8076038 | RELAY, POWER HEAVY DUTY 220V |
| √ | 15 | 2195354 | POWER SUPPLY, 12VDC 30W (FM 8076001) |
| | 16 | 1087684 | ELECTRONICS PLATE ASSY |
| | 17 | 2602056 | AIR BAFFLE PLATE |
| | 18 | 2602066 | HOUSING CONTROL MHU |
| | 19 | 1087777 | COVER ASSY, SHELF MHU |
| | 20 | 8076107 | SPEAKER 4 OHM, MHG |
| | 21 | 8076217 | STRAIN RELIEF, .24-.47 CORD |
| √ | 22 | 8074882 | BREAKER, CIRCUIT 16 AMP |
| | 23 | 8072469 | BUSHING, HEYCO 1" ID |
| | 24 | 8076023 | SWITCH, POWER DPST 16AMP |
| | 25 | 2601832 | BRACKET, TOUCHSCREEN |
| √ | 26 | 8076215 | CONTROL, MHC UI TOUCH |
| | 27 | 8104885 | SPRING, COM .72 X .055 X .750 |
| | 28 | 2602055 | SLIDE PLATE, MERCO EMBLEM |
| | 29 | 8161155 | TEFLON, EMBLEM BACK PLATE USB |
| | 30 | 8104884 | EMBLEM, MERCO DIE-CAST |
| | | 8076255 | SD CARD, 16GB ULTRA MICRO |
| | | 8076258 | JUMPER, UI TO UI 30" |
| | | 8076259 | HARNESS, AC POWER MHU 6X3 |
| | | 8076260 | HARNESS, DC POWER MHU 6X3 |
| | | 8076172 | CABLE, UBS PANEL MOUNT 3' FEMALE, 90 deg |
| | | 8073020 | CORDSET, HLZ TWIST LOCK |

√ Recommended Parts



MERCO
8700 LINE AVENUE, SHREVEPORT, LA 71106-6800

Serving Quality on Demand

MERCO SALES: 800.221.4583
MERCO SERVICE: 877.392.7770
WWW.MERCOPRODUCTS.COM



Welbilt offers fully-integrated kitchen systems. Welbilt's portfolio of award-winning brands includes Cleveland™, Convotherm®, Crystal Tips®, Dean®, Delfield®, Fabristeel®, Frymaster®, Garland®, Inducs®, Koldtech®, Kolpak®, Lincoln®, McCann's™, Merco®, Merrychef®, Multiplex®, RDI®, SerVend™, SunFire®, U.S. Range™ and WMaxx™. These product brands are supported by these service brands: FitKitchen®, our fully-integrated kitchen systems brand, and KitchenConnect®, our cloud-based digital platform brand.

Bringing innovation to the table · welbilt.com