

MercoMax™ Forced Air Holding Cabinet (MHG)

Parts Manual

This manual is updated as new information and models are released. Visit our website for the latest manual.



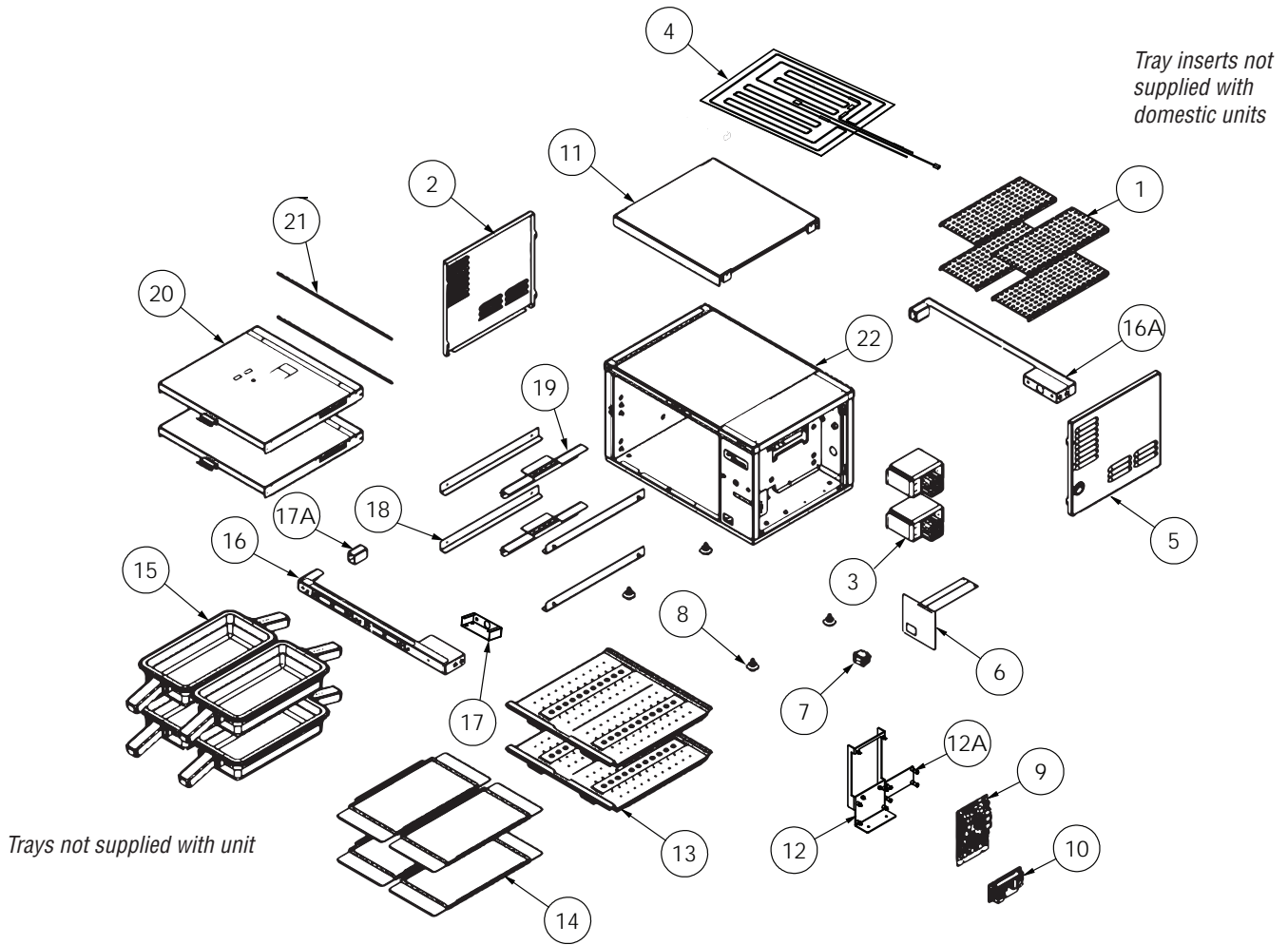
NOTICE

IF, DURING THE WARRANTY PERIOD, THE CUSTOMER USES A PART FOR THIS WELBILT EQUIPMENT OTHER THAN AN UNMODIFIED NEW OR RECYCLED PART PURCHASED DIRECTLY FROM MERCO, OR ANY OF ITS FACTORY AUTHORIZED SERVICERS, AND/OR THE PART BEING USED IS MODIFIED FROM ITS ORIGINAL CONFIGURATION, THIS WARRANTY WILL BE VOID. FURTHER, MERCO AND ITS AFFILIATES WILL NOT BE LIABLE FOR ANY CLAIMS, DAMAGES OR EXPENSES INCURRED BY THE CUSTOMER WHICH ARISE DIRECTLY OR INDIRECTLY, IN WHOLE OR IN PART, DUE TO THE INSTALLATION OF ANY MODIFIED PART AND/OR PART RECEIVED FROM AN UNAUTHORIZED SERVICER.

Table of Contents

MHG22 - Common Components	2
MHG23 - Common Components	4
MHG24 - Common Components	6
MHG32 - Common Components	8
MHG34 - Common Components	10
MHG42 - Common Components	12

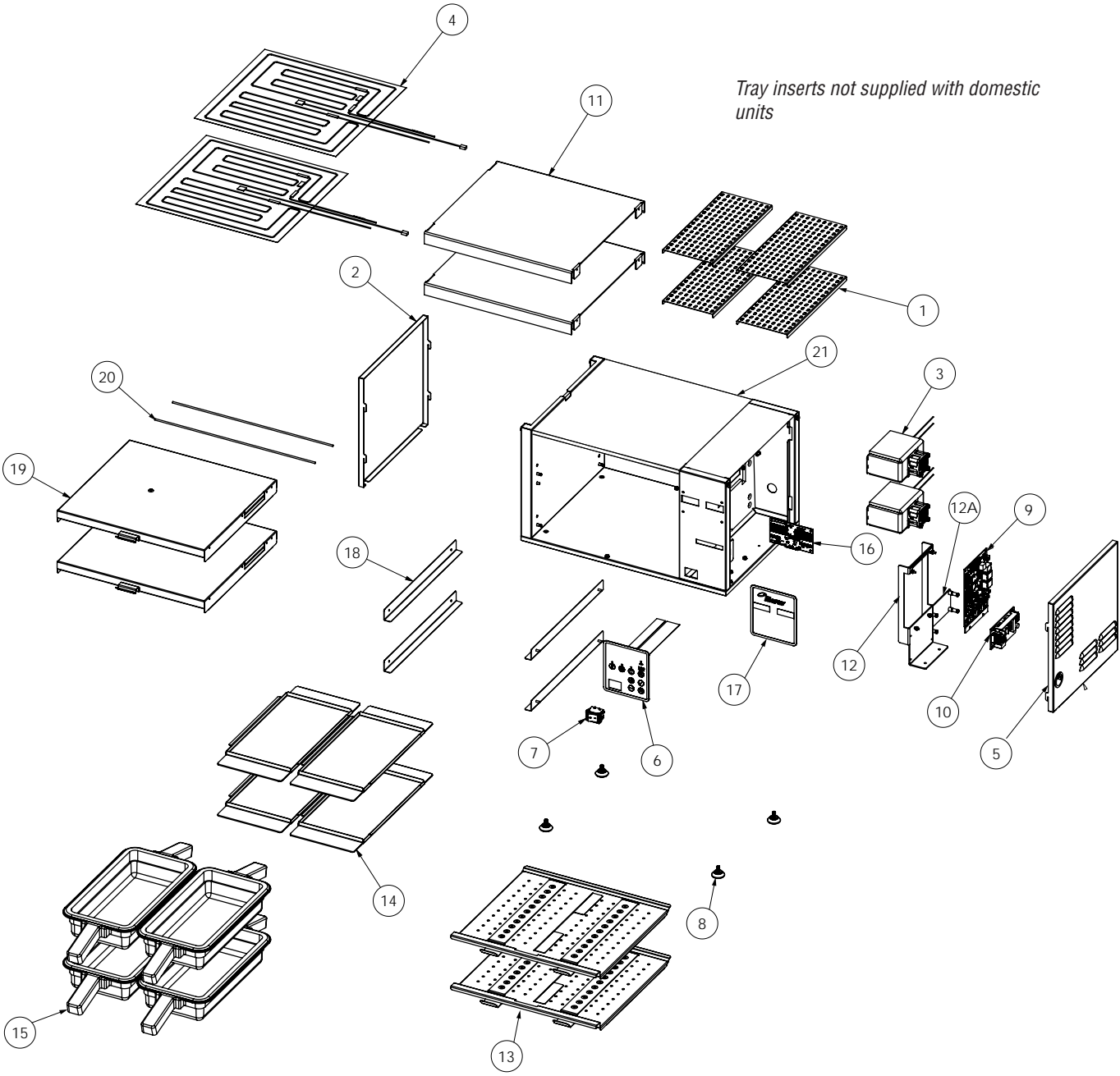
MHG22 with Timer Bars- Common Components



Item	Part Number	Description	Note
	1087396	Complete Cabinet Assembly (MHG22) w/ Timer Bar	
1	MER10001682	Tray Insert (FM PN 2601740)	
2	2601677	Left Hand Side Cover Panel	
√	3	1087309SP	Heater Assembly, 120V, 700W, Air with Fan
√	4	8076100	Heater Pad, 120V, 330W w/Thermocouple Kit
	5	1087289	Right Hand Side Cover Panel
	6	8076146	Membrane Switch
√	7	8076023	Rocker Switch, 250V, 16A
	8	MER340011	Hi Temp Leveling Mount (FM PN 8104733)
√	9	8263405	Board, I/O Merco GM
√	10	2195354	Power Supply, 12VDC, 30W (FM PN 8076001)
		8076336	Power Supply, 12VDC, 65W CE
	11	8104752	Shelf, 2 Wide
	12	1087272	Bracket, Single I/O Board Mount w/o SUI
	12A	1087269	Bracket, Power Supply
	13	8239275	Diffuser, Air Assembly 2 Wide
	14	8242410	Tray Seal
	15	1708578	Plastic Tray, Double Handle (FM PN 8030491)
√	16	8263411	Timer Bar Assembly, 2/Wide 2/Display, Front (Single Sided Unit only)
√		8263412	Timer Bar Assembly, 2/Wide 2/Display, Front (Double Sided Unit only)
√	16A	8263413	Timer Bar Assembly, 2/Wide 2/Display, Rear (Double Sided Unit only)
	17	8242417	Assembly, Timer Bar Mounting Bracket
	17A	8239286	Assembly, Timer Bar Mounting Bracket 2-Wide
	18	1087291	Support, Hold-down Shelf
	19	8239271	Divider, W/A, Plenum Center
	20	8239284	Air W/A, 2X2 Plenum
√	21	8076102	Probe, Air Heater
	22	1087306	Cover, 2-Wide Top
		8076029	Cable, Communication Long 9.50"
		2186998	Cable, Communication Master to Display, 6-pin, 12 inch internal cable (FM PN 8076009)
		2187007	Cable, 12 inch, USB ext., Panel Mount Female, from IO Board to USB port (FM PN 8076010)
		8076012	Cable, 6-pin to 4-pin, 26", Display to Timerbar
		8076080	Harness, AC Power, 2X2
		8076079	Harness, DC Power, 2X2
		2186984	Cord, NEMA 5-20P, 12/3 Domestic (FM PN 8076062)
		2187033	Cordset, Pin/Sleeve, 16A, Export

√ Recommended Parts

MHG22 without Timer Bars- Common Components



Tray inserts not supplied with domestic units

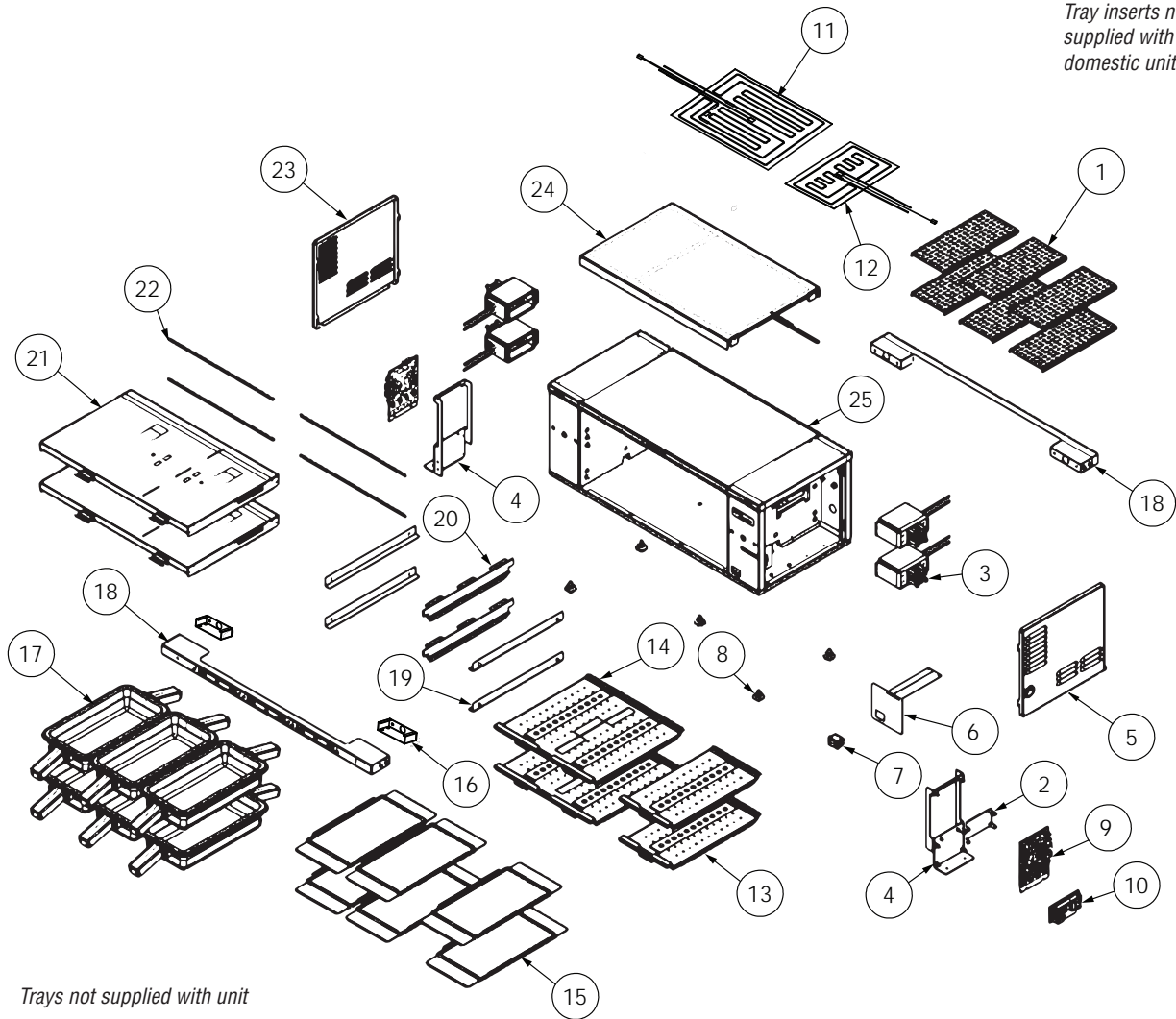
Trays not supplied with unit

	Item	Part Number	Description	Note
		1087443	Complete Cabinet Assembly (MHG22) w/out Timer Bar	
	1	MER10001682	Tray Insert (FM PN 2601740)	
	2	2601818	Left Hand Side Cover Panel	
√	3	1087509SP	Heater Assembly, 120V, 450W, Air with Fan	
√	4	8076171	Heater Pad, 120V, 200W w/Thermocouple Kit	
	5	1087289	Right Hand Side Cover Panel	
	6	8076146	Membrane Switch	
√	7	8076023	Rocker Switch, 250V, 16A	
	8	MER340011	Hi Temp Leveling Mount (FM PN 8104733)	
√	9	8263405	Board, I/O Merco GM	
√	10	2195354	Power Supply, 12VDC, 30W (FM PN 8076001)	
		8076336	Power Supply, 12VDC, 65W CE	
	11	8104752	Shelf, 2 Wide	
	12	1087272	Bracket, Single I/O Board Mount w/o SUI	
	12A	1087269	Bracket, Power Supply	
	13	8239275	Diffuser, Air Assembly 2 Wide	
	14	8242410	Tray Seal	
	15	1708578	Plastic Tray, Double Handle (FM PN 8030491)	
√	16	8076021	Board, Display	
	17	8076147	Overlay, Display	
	18	1087291	Support, Hold-down Shelf	
	19	1087304	Air Assy, 2-Wide Plenum	
	20	8076102	Probe, Air Heater	
	21	1087306	Cover, 2-Wide Top	
		2187007	Cable, 12 inch, USB ext., Panel Mount Female, from IO Board to USB port (FM PN 8076010)	
		8076080	Harness, AC Power, 2X2	
		8076079	Harness, DC Power, 2X2	
		2186984	Cord, NEMA 5-20P, 12/3 Domestic (FM PN 8076062)	
		2187033	Cordset, Pin/Sleeve, 16A, Export	

√ Recommended Parts

MHG23 - Common Components

Tray inserts not supplied with domestic units

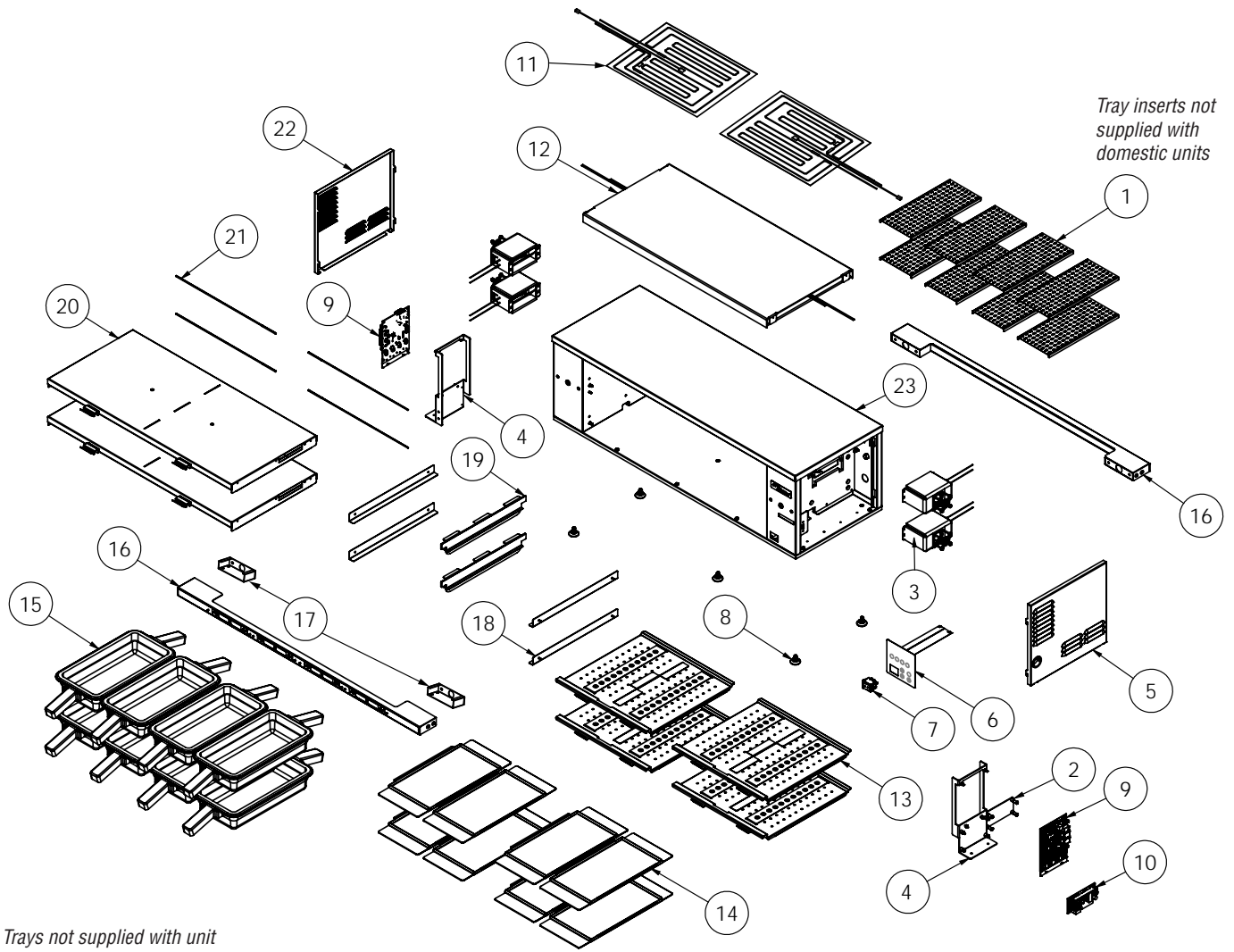


Trays not supplied with unit

Item	Part Number	Description	Note
	1087397	Complete Cabinet Assembly (MHG23) w/ Timer Bar	
1	MER10001682	Tray Insert (FM PN 2601740)	
2	1087269	Bracket, Power Supply	
√	3	1087310SP	Heater Assembly, 230V, 700W, Air w/Fan (replace with 450W if voltage is greater than 230V)
√		1087290SP	Heater Assembly, 230V, 450W, Air with Fan
	4	1087272	Bracket, Single I/O Board Mount w/o SUI
	5	1087289	Right Hand Side Cover Panel
	6	8076146	Membrane Switch
√	7	8076023	Rocker Switch, 250V, 16A
	8	MER340011	Hi Temp Leveling Mount (FM PN 8104733)
√	9	8263405	Board, I/O Merco GM
√	10	2195354	Power Supply, 12VDC, 30W (FM PN 8076001)
		8076336	Power Supply, 12VDC, 65W CE
√	11	8076099	Heater Pad, 230V, 200W w/Thermocouple
√	12	8076098	Heater Pad, 230V, 100W w/Thermocouple Single
	13	8239283	Diffuser, Air Assembly 1 Wide
	14	8239275	Diffuser, Air Assembly 2 Wide
	15	8242410	Tray Seal
	16	8242417	Assembly, Timer Bar Mounting Bracket
	17	1708578	Plastic Tray, Double Handle (FM PN 8030491)
√	18	8263410	Timerbar, 3/Wide 3/Display (Front and Rear)
	19	1087291	Support, Hold-down Shelf
	20	8239271	Divider, W/A, Plenum Center
	21	8239282	Air W/A, 2X3 Plenum
√	22	8076102	Probe, Air Heater
	23	2601677	Left Hand Side Cover Panel
	24	8104729	Shelf, 3 Wide
	25	1087300	Cover, 3-Wide Top
		8076029	Cable, Communication Long 9.50"
		2186997	Comm Cable 8 pin, 52" internal from Primary IO BD to Secondary IO BD (FM#8076017)
		2186998	Cable, Communication Master to Display, 6-pin, 12 inch internal cable (FM PN 8076009)
		2187007	Cable, 12 inch, USB ext., Panel Mount Female, from IO Board to USB port (FM PN 8076010)
		8076012	Cable, 6-pin to 4-pin, 26", Display to Timerbar
		8076013	Harness, AC Power, 2X4,2X3
		8076015	Harness, DC Power, 2X4, 2X3
		2186993	Cord, NEMA 6-20P, 12/3 Domestic (FM PN 8076026)
		2187033	Cordset, Pin/Sleeve, 16A, Export

√ Recommended Parts

MHG24 - Common Components

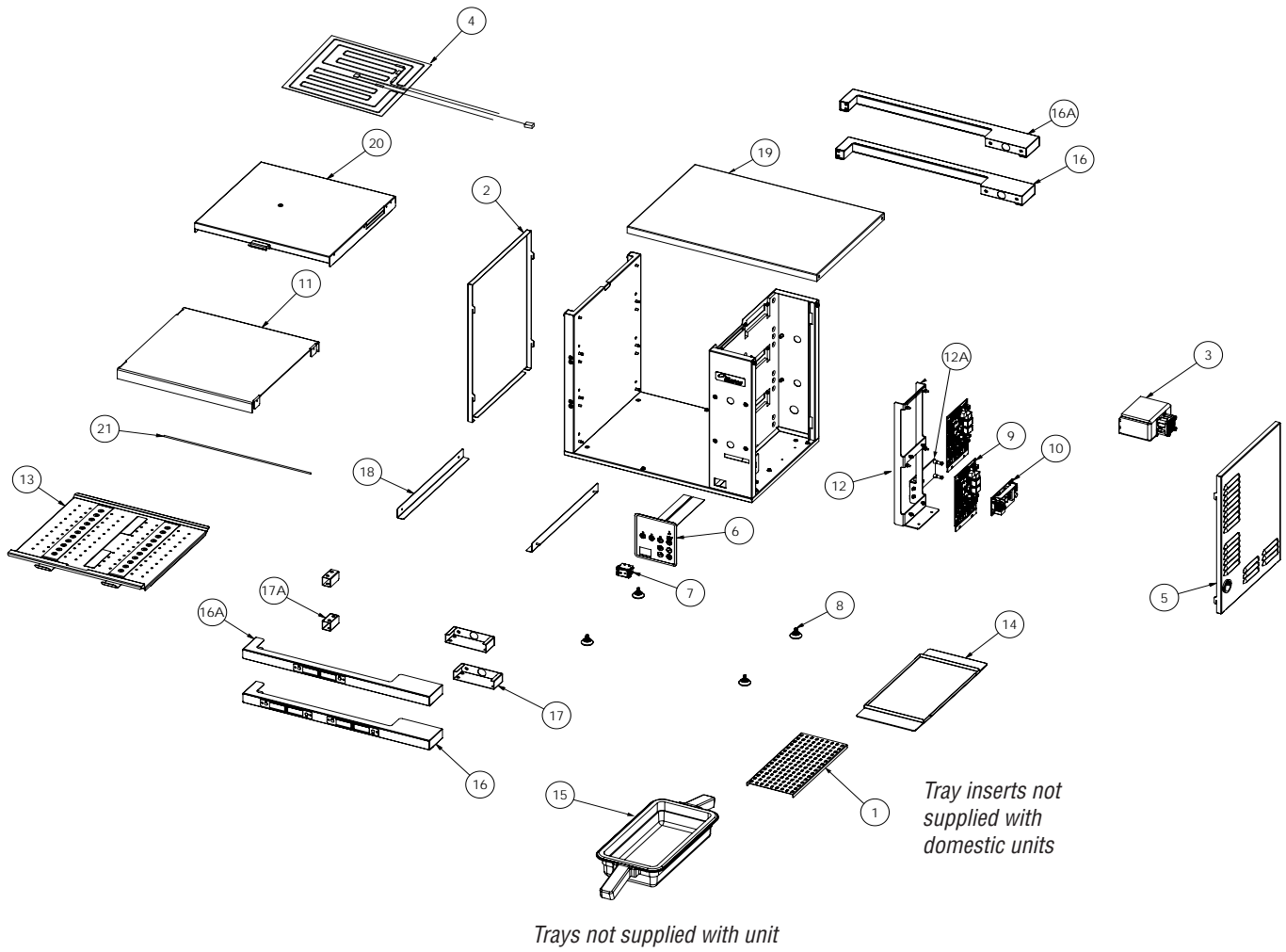


Trays not supplied with unit

Item	Part Number	Description	Note
	1087398	Complete Cabinet Assembly (MHG24) w/ Timer Bar	
1	MER10001682	Tray Insert (FM PN 2601740)	
2	1087269	Bracket, Power Supply	
√	3	1087310SP	Heater Assembly, 230V, 700W, Air w/Fan (replace with 450W if voltage is greater than 230V)
√		1087290SP	Heater Assembly, 230V, 450W, Air with Fan
	4	1087272	Bracket, Single I/O Board Mount w/o SUI
	5	1087289	Right Hand Side Cover Panel
	6	8076146	Membrane Switch
√	7	8076023	Rocker Switch, 250V, 16A
	8	MER340011	Hi Temp Leveling Mount (FM PN 8104733)
√	9	8263405	Board, I/O Merco GM
√	10	2195354	Power Supply, 12VDC, 30W (FM PN 8076001)
		8076336	Power Supply, 12VDC, 65W CE
√	11	8076099	Heater Pad, 230V, 200W w/Thermocouple
	12	8104726	Shelf, 4 Wide
	13	8239275	Diffuser, Air Assembly 2 Wide
	14	8242410	Tray Seal
	15	1708578	Plastic Tray, Double Handle (FM PN 8030491)
√	16	8263407	Timerbar, 4/Wide 4/Display Front (Single Sided Unit only)
√		8263408	Timerbar, 4/Wide 4/Display Front /Rear (Double Sided Unit only)
	17	8242417	Assembly, Timer Bar Mounting Bracket
	18	1087291	Support, Hold-down Shelf
	19	8239271	Divider, W/A, Plenum Center
	20	8239272	Air W/A, 2X4 Plenum
√	21	8076102	Probe, Air Heater
	22	2601677	Left Hand Side Cover Panel
	23	1087293	Cover, 4 Wide Top
		8076029	Cable, Communication Long 9.50"
		2186997	Comm Cable 8 pin, 52" internal from Primary IO BD to Secondary IO BD (FM#8076017)
		2186998	Cable, Communication Master to Display, 6-pin, 12 inch internal cable (FM PN 8076009)
		2187007	Cable, 12 inch, USB ext., Panel Mount Female, from IO Board to USB port (FM PN 8076010)
		8076012	Cable, 6-pin to 4-pin, 26", Display to Timerbar
		8076013	Harness, AC Power, 2X4,2X3
		8076015	Harness, DC Power, 2X4, 2X3
		2186993	Cord, NEMA 6-20P, 12/3 Domestic (FM PN 8076026)
		2187033	Cordset, Pin/Sleeve, 16A, Export

√ Recommended Parts

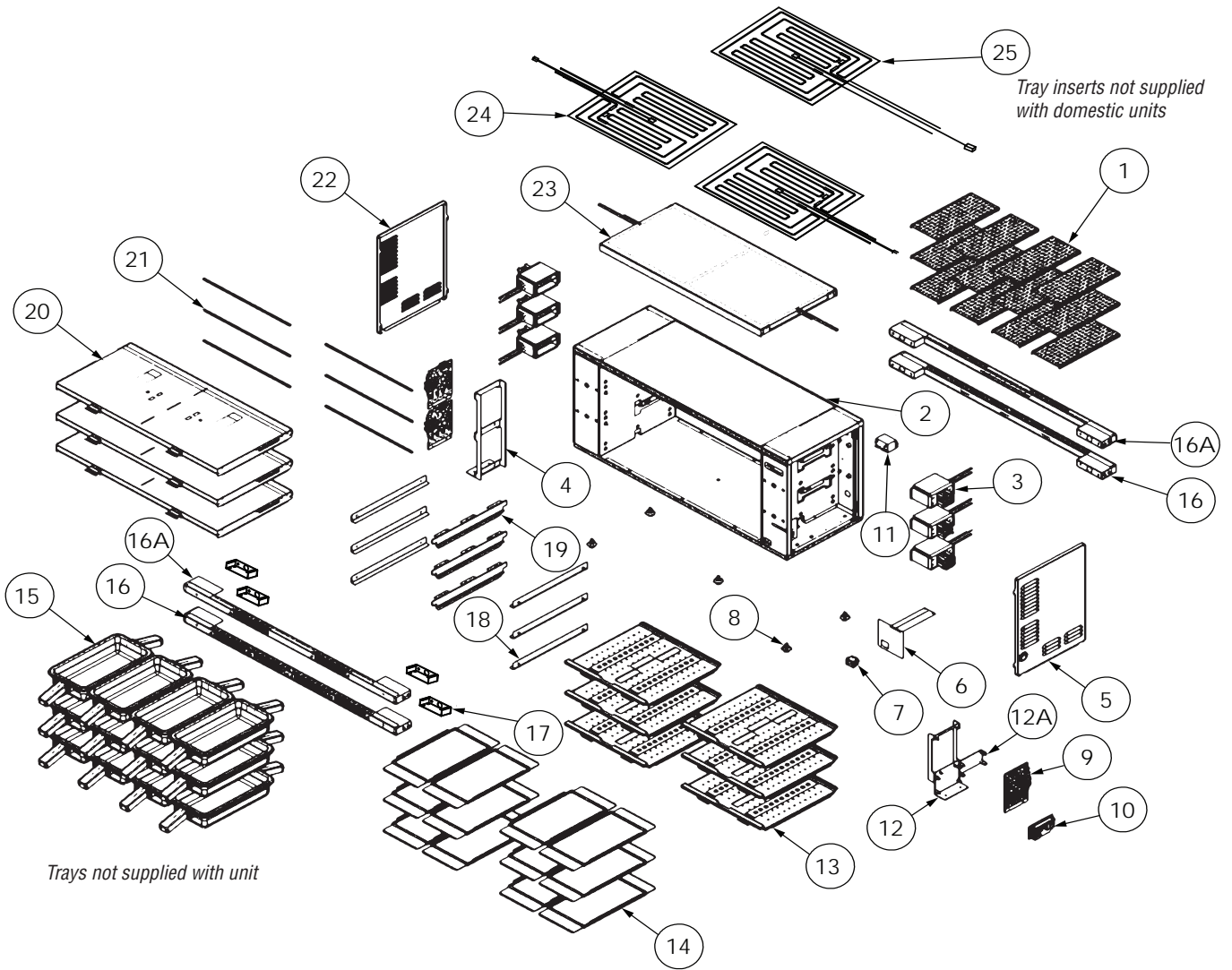
MHG32 - Common Components



Item	Part Number	Description	Note
	1087444	Complete Cabinet Assembly (MHG32) w/ Timer Bar	
1	MER10001682	Tray Insert (FM PN 2601740)	
2	2601814	Left Hand Side Cover Panel 3H	
√	3	1087290SP	Heater Assembly, 230V, 450W, Air with Fan
√	4	8076099	Heater Pad, 230V, 200W w/Thermocouple Kit
	5	1087301	Right Hand Side Cover Panel 3H
	6	8076146	Membrane Switch
√	7	8076023	Rocker Switch, 250V, 16A
	8	MER340011	Hi Temp Leveling Mount (FM PN 8104733)
√	9	8263405	Board, I/O Merco GM
√	10	2195354	Power Supply, 12VDC, 30W (FM PN 8076001)
		8076336	Power Supply, 12VDC, 65W CE
	11	8104752	Shelf, 2 Wide
	12	1087433	Bracket, Double I/O Board Mount
	12A	1087269	Bracket, Power Supply
	13	8239275	Diffuser, Air Assembly 2 Wide
	14	8242410	Tray Seal
	15	1708578	Plastic Tray, Double Handle (FM PN 8030491)
	16	8263412	Timer Bar Assembly, 2/Wide 2/Display, Front
√	16A	8263413	Timer Bar Assembly, 2/Wide 2/Display, Rear
√	16B	8263466	Timer Bar Assembly, 2/Wide 1/Display, Front 1087600
√	16C	8263467	Timer Bar Assembly, 2/Wide 1/Display, Rear 1087601
	17	8242417	Assembly, Timer Bar Mounting Bracket
	17A	8239286	Assembly, Timer Bar Mounting Bracket 2-Wide
	18	1087291	Support, Hold-down Shelf
	19	2601735	Cover, 2-Wide Top
	20	8239284	Air W/A, 2X2 Plenum
√	21	8076102	Probe, Air Heater
		8076029	Cable, Communication Long 9.50"
		2186998	Cable, Communication Master to Display, 6-pin, 12 inch internal cable (FM PN 8076009)
		2187007	Cable, 12 inch, USB ext., Panel Mount Female, from IO Board to USB port (FM PN 8076010)
		8076012	Cable, 6-pin to 4-pin, 26", Display to Timerbar
		8076145	Harness, AC Power, 3X2
		8076143	Harness, DC Power, 3X2
		2186993	Cord, NEMA 6-20P, 12/3 Domestic (FM PN 8076026)
		2187033	Cordset, Pin/Sleeve, 16A, Export

√ Recommended Parts

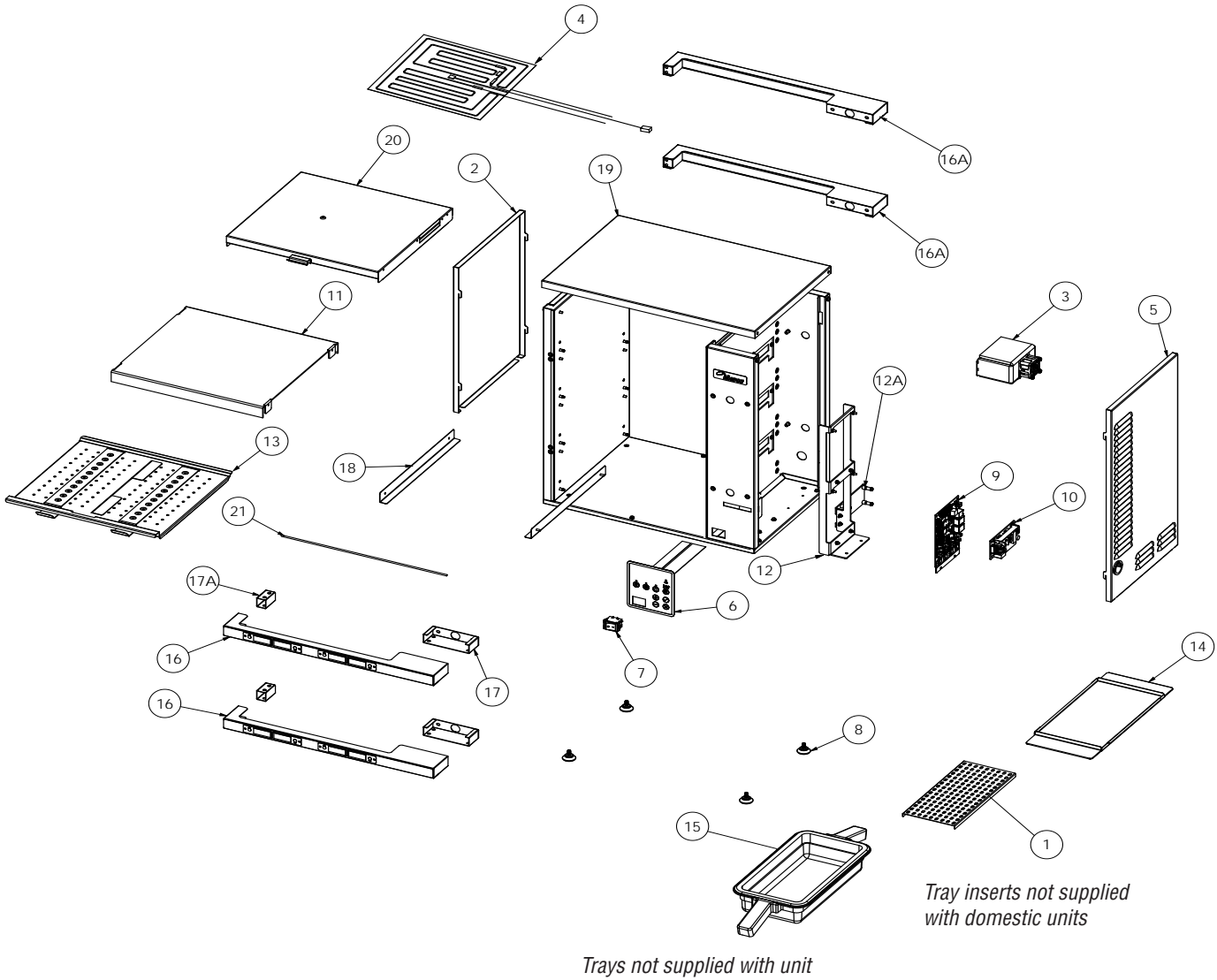
MHG34 - Common Components



Item	Part Number	Description	Note
	1087399	Complete Cabinet Assembly (MHG34)w/ Timer Bar	
1	MER10001682	Tray Insert (FM PN 2601740)	
2	1087293	Cover, 4 Wide Top	
√	3	1087290SP	Heater Assembly, 230V, 450W, Air with Fan
	4	2401547	Bracket, Double I/O Board Mount
	5	1087301	Right Hand Side Cover Panel
	6	8076146	Membrane Switch
√	7	8076023	Rocker Switch, 250V, 16A
	8	MER340011	Hi Temp Leveling Mount (FM PN 8104733)
√	9	8263405	Board, I/O Merco GM
√	10	2195354	Power Supply, 12VDC, 30W (FM PN 8076001)
		8076336	Power Supply, 12VDC, 65W CE
√	11	8076038	Relay, Power Heavy Duty 200-240VAC
	12	1087272	Bracket, Single I/O Board Mount w/o SUI
	12A	1087269	Bracket, Power Supply
	13	8239275	Diffuser, Air Assembly 2 Wide
	14	8242410	Tray Seal
	15	1708578	Plastic Tray, Double Handle (FM PN 8030491)
√	16	8263407	Timerbar, 4/Wide 4/Display Front Lower (Single Sided Unit only)
√		8263408	Timerbar, 4/Wide 4/Display Front /Rear Lower (Double Sided Unit only)
√	16A	8263409	Timerbar, 4/Wide 2/Display Front /Rear Upper (Single and Double Sided Unit)
	17	8242417	Assembly, Timer Bar Mounting Bracket
	18	1087291	Support, Hold-down Shelf
	19	8239271	Divider, W/A, Plenum Center
	20	8239272	Air W/A, 2X4 Plenum
√	21	8076102	Probe, Air Heater
	22	2601678	Left Hand Side Cover Panel
	23	8104726	Shelf, 4 Wide
√	24	8076099	Heater Pad, 230V, 200W w/Thermocouple Kit
√	25	8076101	Heater Pad, 230V, 200W w/Thermocouple Kit with Long Thermocouple for Zone #6
		8076029	Cable, Communication Long 9.50"
		2186997	Comm Cable 8 pin, 52" internal from Primary IO BD to Secondary IO BD (FM#8076017)
		2186998	Cable, Communication Master to Display, 6-pin, 12 inch internal cable (FM PN 8076009)
		2187007	Cable, 12 inch, USB ext., Panel Mount Female, from IO Board to USB port (FM PN 8076010)
		8076012	Cable, 6-pin to 4-pin, 26", Display to Timerbar
		8076014	Harness, AC Power, 3X4
		8076016	Harness, DC Power, 3X4
		2186993	Cord, NEMA 6-20P, 12/3 Domestic (FM PN 8076026)

√ Recommended Parts

MHG42 - Common Components



	Item	Part Number	Description	Note
		1087445	Complete Cabinet Assembly (MHG42) W/ Timer Bar	
	1	MER10001682	Tray Insert (FM PN 2601740)	
	2	2601811	Left Hand Side Cover Panel 4H	
√	3	1087290SP	Heater Assembly, 230V, 450W, Air with Fan	
√	4	8076099	Heater Pad, 230V, 200W w/Thermocouple Kit	
	5	1087454	Right Hand Side Cover Panel 4H	
	6	8076146	Membrane Switch	
√	7	8076023	Rocker Switch, 250V, 16A	
	8	MER340011	Hi Temp Leveling Mount (FM PN 8104733)	
√	9	8263405	Board, I/O Merco GM	
√	10	2195354	Power Supply, 12VDC, 30W (FM PN 8076001)	
		8076336	Power Supply, 12VDC, 65W CE	
	11	8104752	Shelf, 2 Wide	
	12	1087433	Bracket, Double I/O Board Mount	
	12A	1087269	Bracket, Power Supply	
	13	8239275	Diffuser, Air Assembly 2 Wide	
	14	8242410	Tray Seal	
	15	1708578	Plastic Tray, Double Handle (FM PN 8030491)	
	16	8263412	Timer Bar Assembly, 2/Wide 2/Display, Front	
√	16A	8263413	Timer Bar Assembly, 2/Wide 2/Display, Rear	
	17	8242417	Assembly, Timer Bar Mounting Bracket	
	17A	8239286	Assembly, Timer Bar Mounting Bracket 2-Wide	
	18	1087291	Support, Hold-down Shelf	
	19	2601735	Cover, 2-Wide Top	
	20	8239284	Air W/A, 2X2 Plenum	
√	21	8076102	Probe, Air Heater	
		8076029	Cable, Communication Long 9.50"	
		2186998	Cable, Communication Master to Display, 6-pin, 12 inch internal cable (FM PN 8076009)	
		2187007	Cable, 12 inch, USB ext., Panel Mount Female, from IO Board to USB port (FM PN 8076010)	
		8076012	Cable, 6-pin to 4-pin, 26", Display to Timerbar	
		8076144	Harness, AC Power, 4X2	
		8076143	Harness, DC Power, 4X2, 3x2	
		2186993	Cord, NEMA 6-20P, 12/3 Domestic (FM PN 8076026)	
		2187033	Cordset, Pin/Sleeve, 16A, Export	

√ Recommended Parts



MERCO
8700 LINE AVENUE, SHREVEPORT, LA 71106-6800

Serving Quality on Demand

MERCO SALES: 800.221.4583
MERCO SERVICE: 877.392.7770
WWW.MERCOPRODUCTS.COM



Welbilt offers fully-integrated kitchen systems. Welbilt's portfolio of award-winning brands includes Cleveland™, Convotherm®, Crystal Tips®, Dean®, Delfield®, Fabristeel®, Frymaster®, Garland®, Inducs®, Koldtech®, Kolpak®, Lincoln®, McCann's™, Merco®, Merrychef®, Multiplex®, RDI®, SerVend™, SunFire®, U.S. Range™ and WMaxx™. These product brands are supported by these service brands: FitKitchen®, our fully-integrated kitchen systems brand, and KitchenConnect®, our cloud-based digital platform brand.

Bringing innovation to the table · welbilt.com