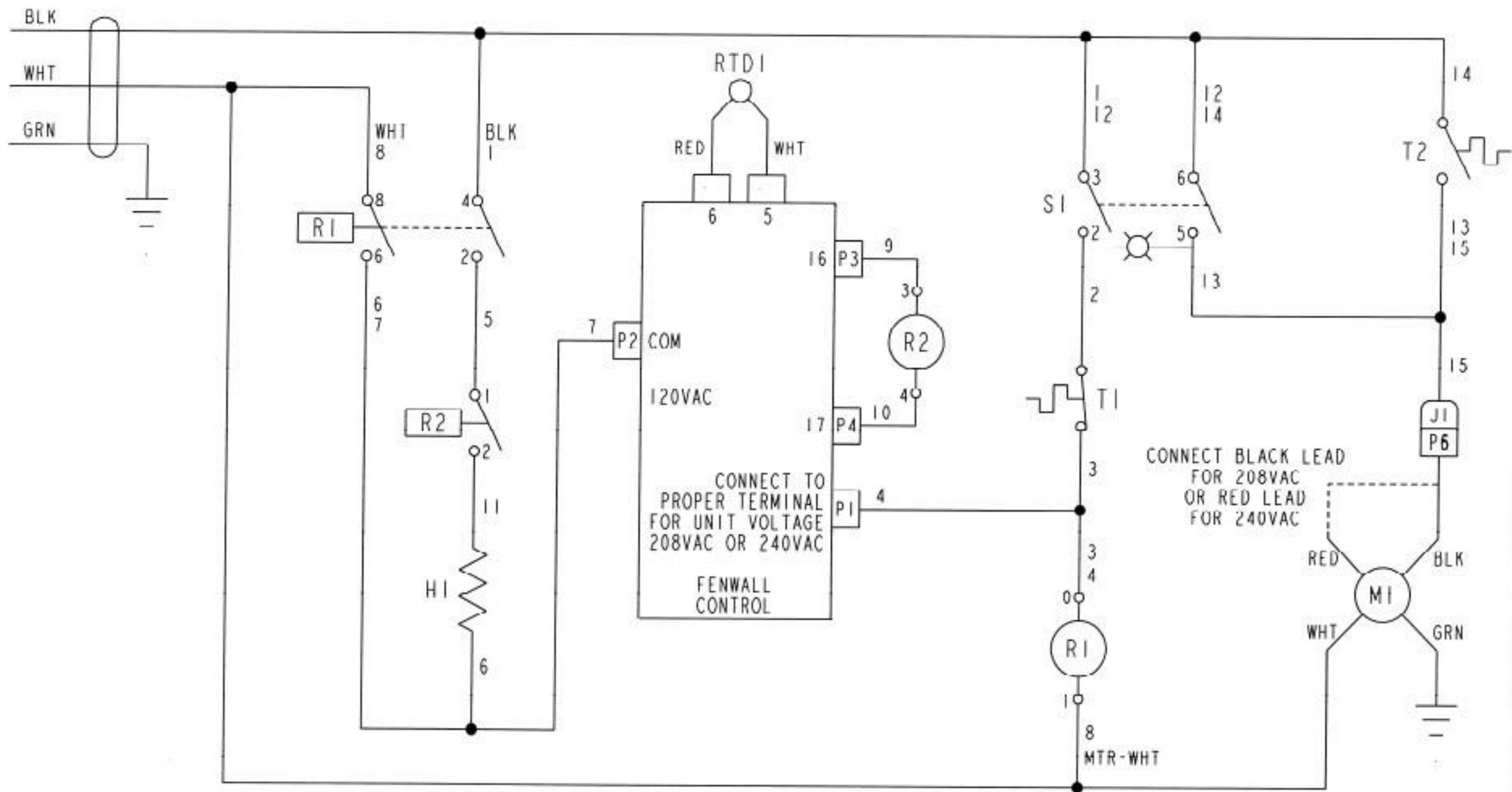
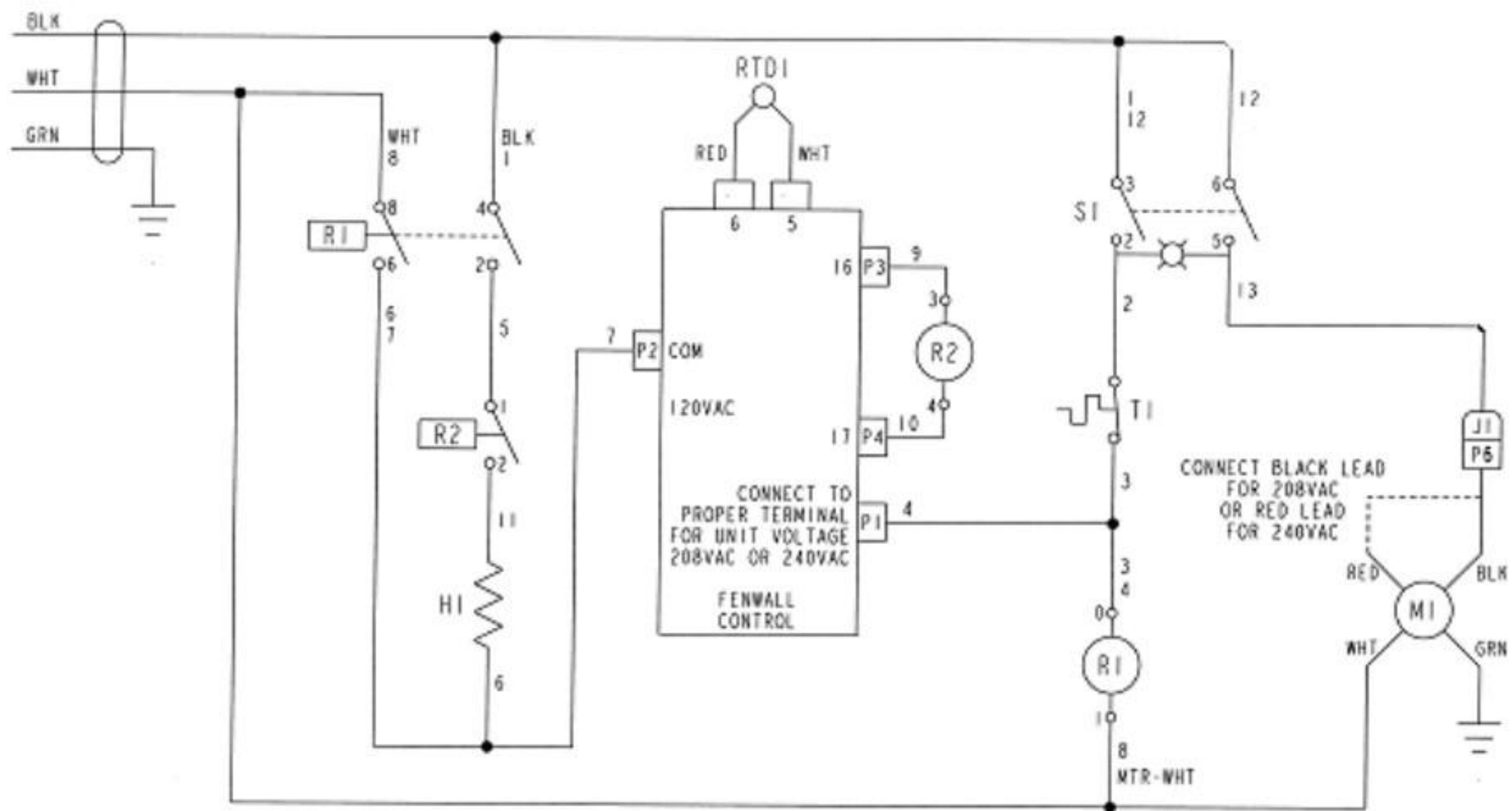


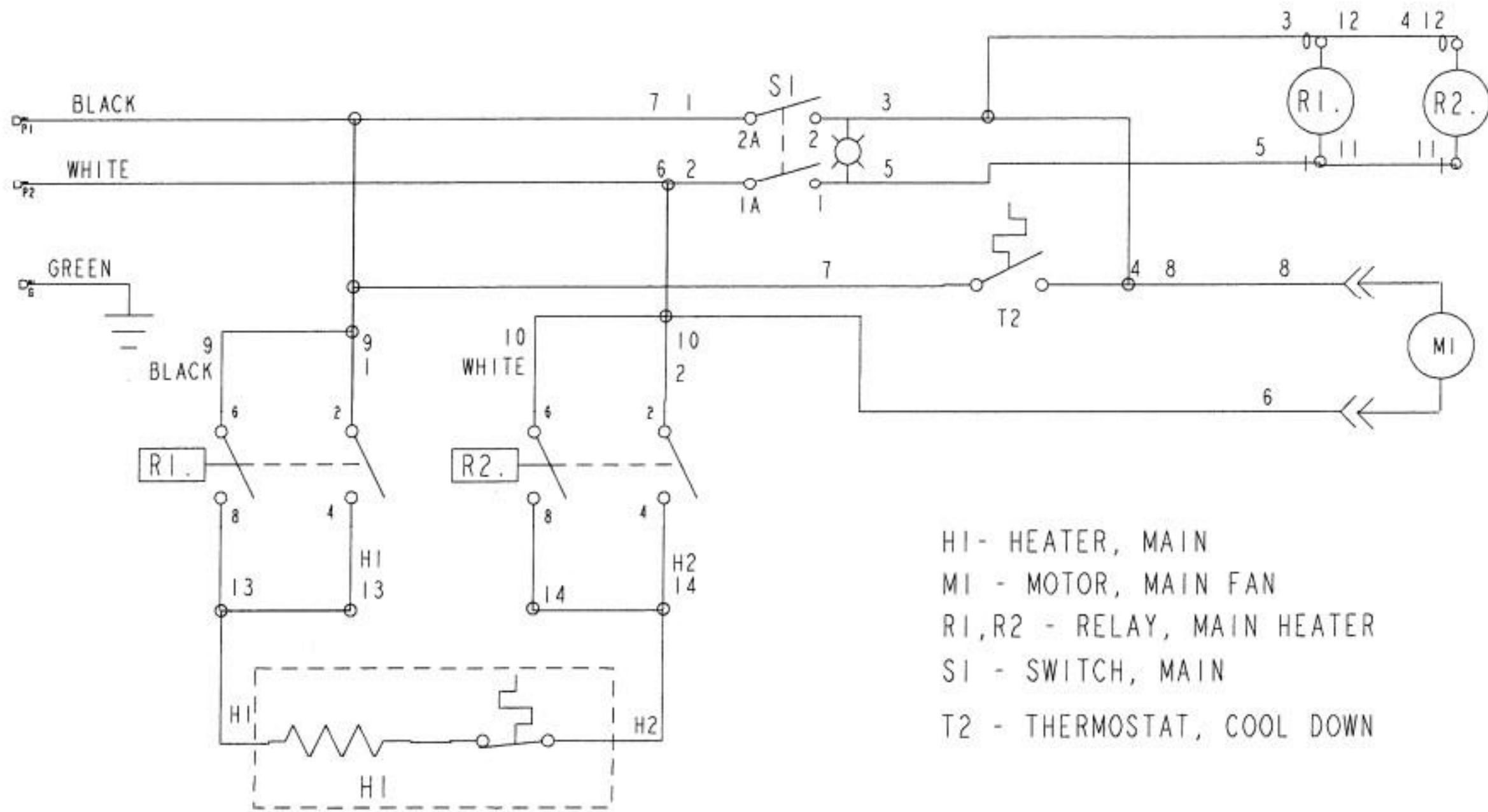
SCHEMATIC



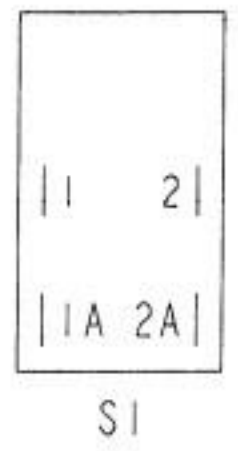
SCHEMATIC



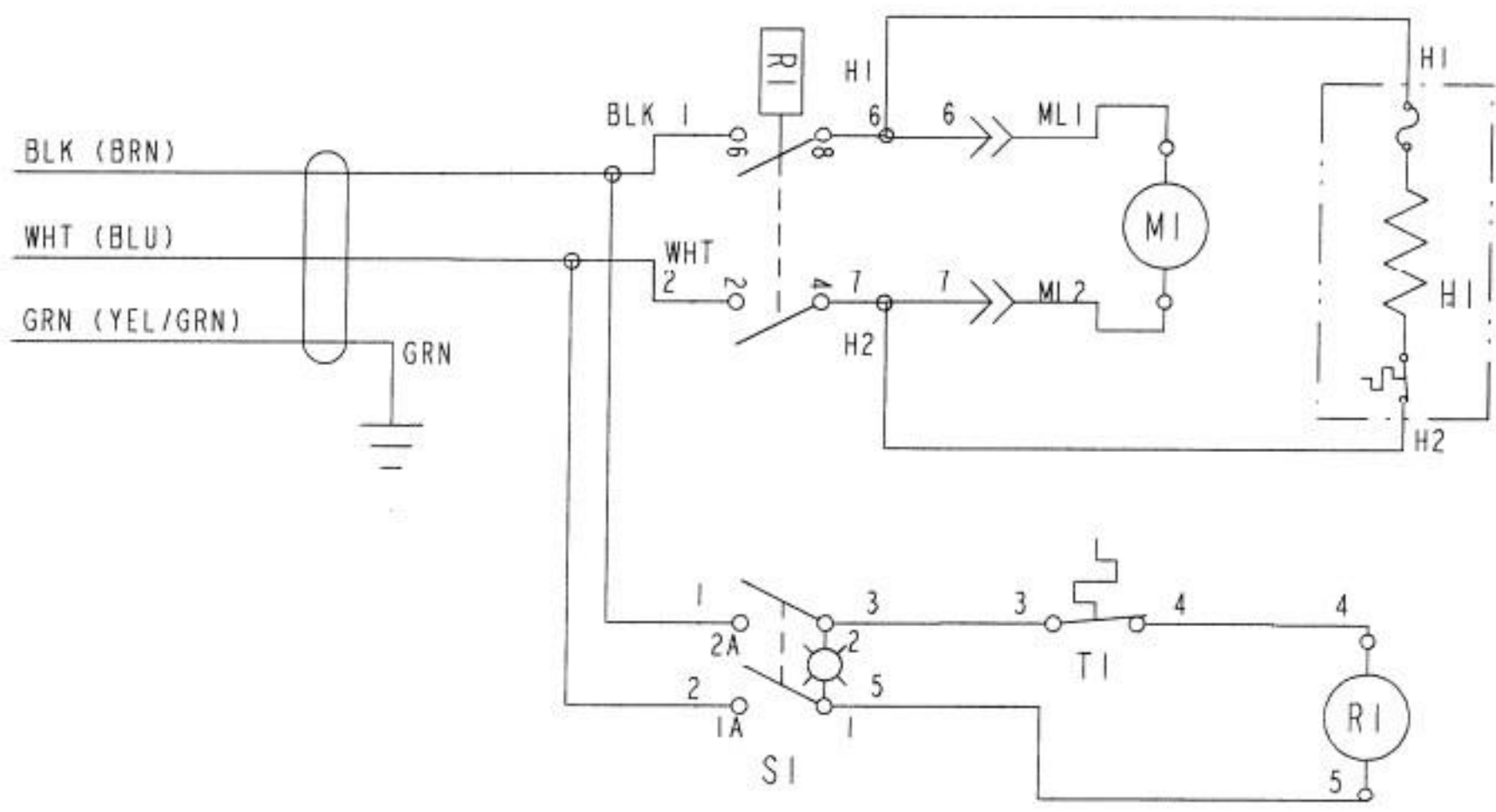
SCHEMATIC



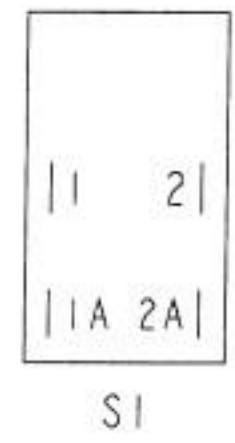
H1 - HEATER, MAIN  
 MI - MOTOR, MAIN FAN  
 R1, R2 - RELAY, MAIN HEATER  
 S1 - SWITCH, MAIN  
 T2 - THERMOSTAT, COOL DOWN



SCHEMATIC



- HI - HEATER, MAIN
- MI - MOTOR, MAIN FAN
- RI - RELAY, MAIN HEATER
- SI - SWITCH, MAIN
- TI - THERMOSTAT, HIGH LIMIT



SCHMATIC