

品名：外觀組合

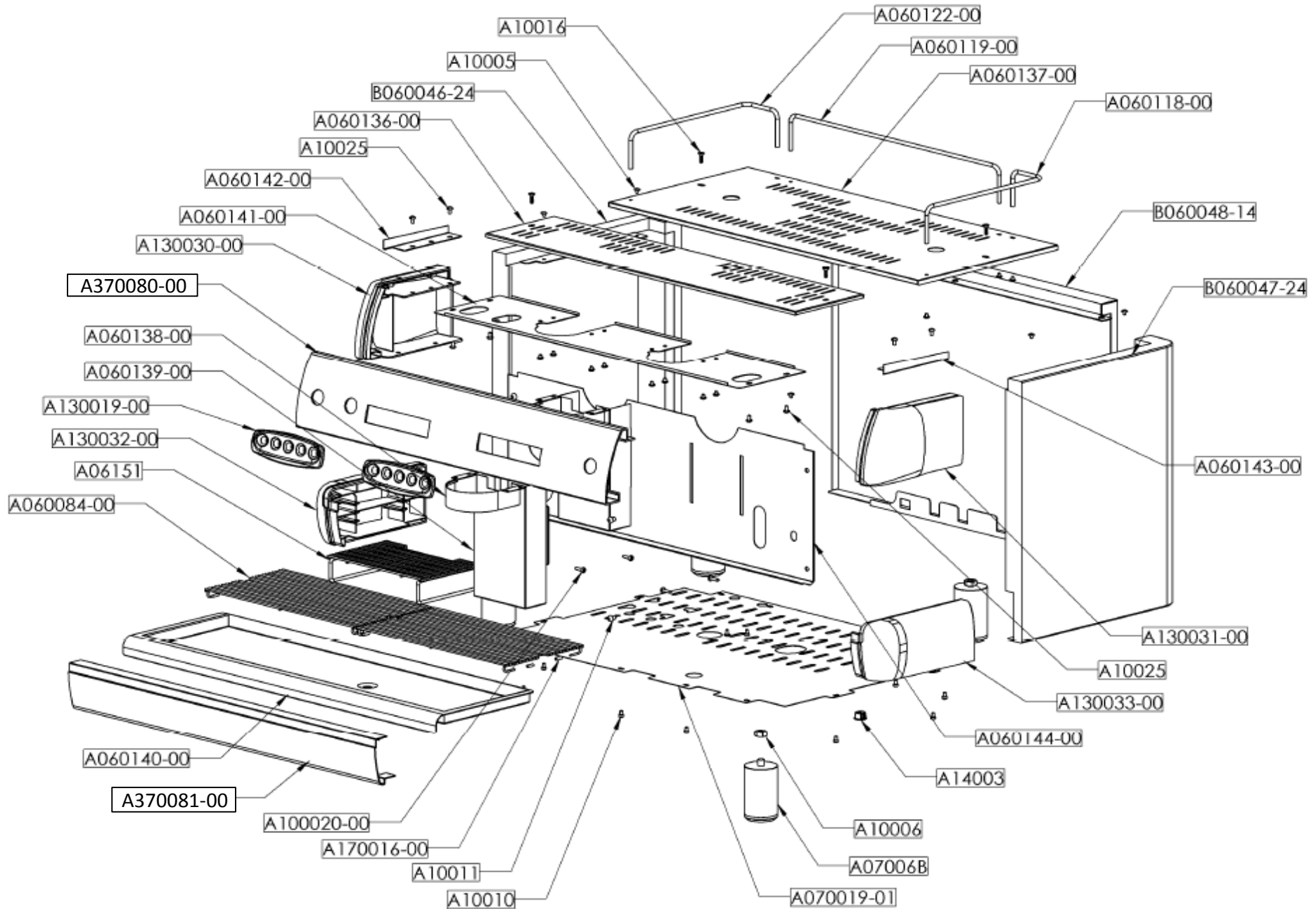
MODEL：CS1 (ETL)

版次：110.03

## ITEM: BODY PARTS ASSEMBLY

VERSION：110.03

ITEM NO.	ITEM	Unit Price
A060010-01	LOWER DRAIN PAN	
A060118-00	CUP FENCE-RIGHT	
A060122-00	CUP FENCE-LEFT	
A060138-00	SURROUND STEEL	
A060139-00	VALVE COVER	
A060142-00	TOP RIGHT SIDE PANEL SUPPOURT	
A060143-00	TOP LEFT SIDE PANEL SUPPOURT	
A060174-00	S.STEEL BOILER COVER	
A060175-00	CABLE COVER	
A060177-00	UPPER STAINLESS STEEL GRILL	
A060178-00	GROUP COVER	
A060179-00	DRAIN PAN	
A06151	CUP RACK	
A070003-01	BOTTOM METAL COVER (ETL)	
A07006B	FOOT	
A10005	SCREW M4*5	
A10006	NUT M10	
A10011	SCREW M6*8	
A10016	SCREW M4*16	
A130019-00	OPERATE FACEPLATE	
A130030-00	TOP LEFT SIDE PANEL	
A130031-00	TOP RIGHT SIDE PANEL	
A130032-00	DOWN LEFT SIDE PANEL	
A130033-00	DOWN RIGHT SIDE PANEL	
A14003	CABLE PROTECTION RING (ETL)	
A170016-00	SILICON PIPE	
A370084-00	BASE FRONT PANEL	
A370085-00	BASE FRONT PANEL	
B060046-24	LEFT SIDE PANEL(BLACK)	
B060047-24	RIGHT SIDE PANEL (BLACK)	
B060055-04	BACK PANEL(BLACK)	
A10010	SCREW M4*6	
A100020-00	SCREW ( 4mm*15 )	



品名：外觀組合

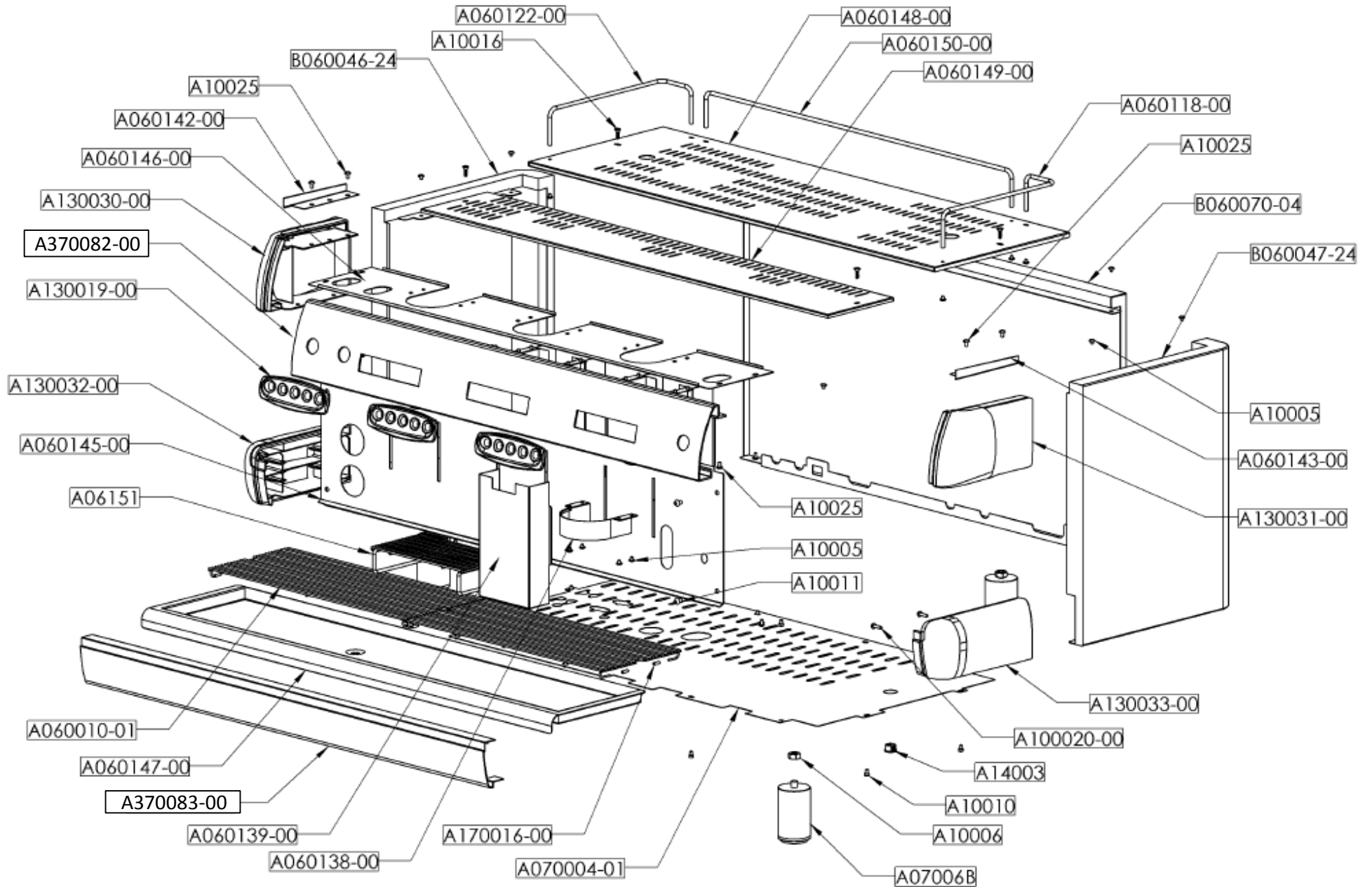
MODEL：CS2 (ETL)

版次：110.03

## ITEM: BODY PARTS ASSEMBLY

VERSION：110.03

ITEM NO.	ITEM	Unit Price
A060084-00	LOWER DRAIN PAN	
A060118-00	CUP FENCE-RIGHT	
A060119-00	CUP FENCE-REAR	
A060122-00	CUP FENCE-LEFT	
A060136-00	GROUP COVER	
A060137-00	UPPER STAINLESS STEEL GRILL	
A060138-00	SURROUND STEEL	
A060139-00	VALVE COVER	
A060140-00	DRAIN PAN	
A060141-00	CABLE COVER	
A060142-00	TOP RIGHT SIDE PANEL SUPPOURT	
A060143-00	TOP LEFT SIDE PANEL SUPPOURT	
A060144-00	S.STEEL BOILER COVER	
A06151	CUP RACK	
A070019-01	BOTTOM METAL COVER (ETL)	
A07006B	FOOT	
A10005	SCREW M4*5	
A10006	NUT M10	
A10010	SCREW M4*6	
A10011	SCREW M6*8	
A10016	SCREW M4*16	
A130019-00	OPERATE FACEPLATE	
A130030-00	TOP LEFT SIDE PANEL	
A130031-00	TOP RIGHT SIDE PANEL	
A130032-00	DOWN LEFT SIDE PANEL	
A130033-00	DOWN RIGHT SIDE PANEL	
A14003	CABLE PROTECTION RING (ETL)	
A170016-00	SILICON PIPE	
A370080-00	OPERATION PANNEL	
A370081-00	BASE SUPPOUND FRONT	
B060046-24	LEFT SIDE PANEL(BLACK)	
B060047-24	RIGHT SIDE PANEL (BLACK)	
B060048-14	BACK PANEL(BLACK)	
A10025	SCREW M4*8 (SUS)	
A100020-00	SCREW ( 4mm*15 )	



品名：外觀組合

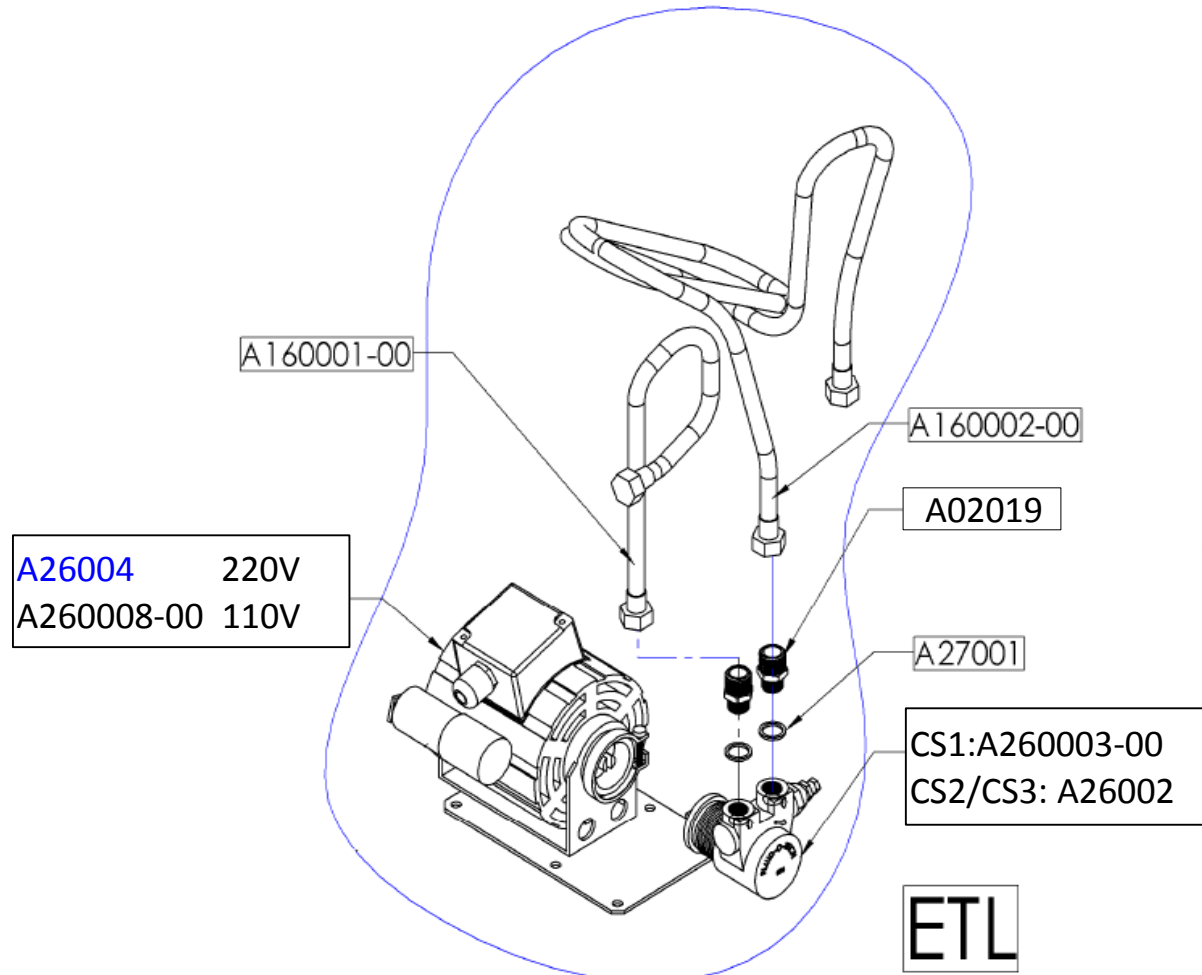
MODEL：CS3 (ETL)

版次：110.03

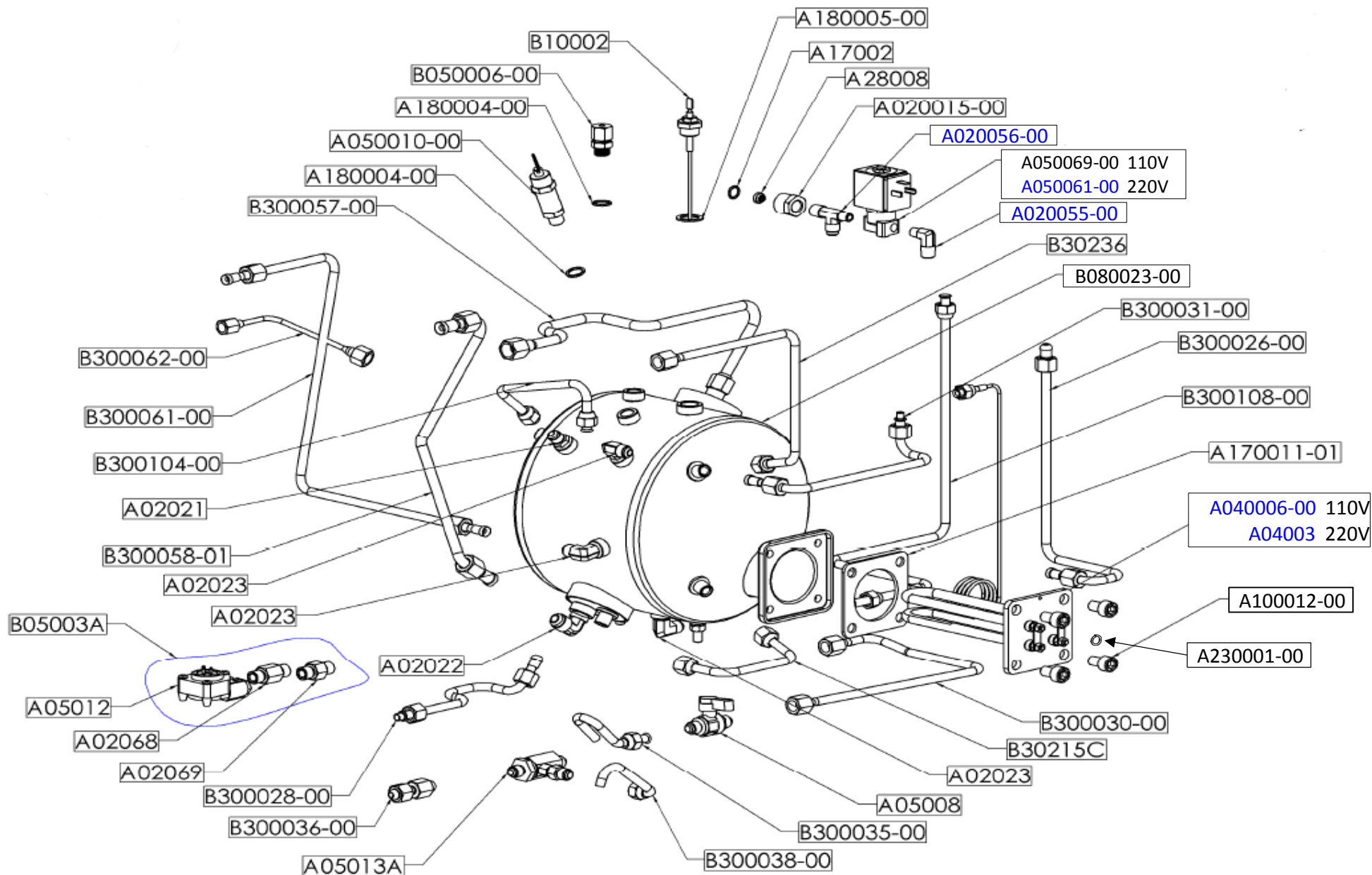
## ITEM: BODY PARTS ASSEMBLY

VERSION：110.03

ITEM NO.	ITEM	Unit Price
A060010-01	LOWER DRAIN PAN	
A060118-00	CUP FENCE-RIGHT	
A060321-00	CUP FENCE-LEFT	
A060138-00	SURROUND STEEL	
A060139-00	VALVE COVER	
A060142-00	TOP RIGHT SIDE PANEL SUPPOURT	
A060143-00	TOP LEFT SIDE PANEL SUPPOURT	
A060145-00	S.STEEL BOILER COVER	
A060146-00	CABLE COVER	
A060147-00	DRAIN PAN	
A060148-00	UPPER STAINLESS STEEL GRILL	
A060149-00	GROUP COVER	
A060150-00	CUP FENCE-REAR	
A06151	CUP RACK	
A070004-01	BOTTOM METAL COVER (ETL)	
A07006B	FOOT	
A100020-00	SCREW ( 4mm*15 )	
A10005	SCREW M4*5	
A10006	NUT M10	
A10010	SCREW M4*6	
A10011	SCREW M6*8	
A10016	SCREW M4*16	
A10025	SCREW M4*8 (SUS)	
A130019-00	OPERATE FACEPLATE	
A130030-00	TOP LEFT SIDE PANEL	
A130031-00	TOP RIGHT SIDE PANEL	
A130032-00	DOWN LEFT SIDE PANEL	
A130033-00	DOWN RIGHT SIDE PANEL	
A14003	CABLE PROTECTION RING (ETL)	
A170016-00	SILICON PIPE	
A370082-00	OPERATION PANNEL	
A370083-00	BASE SUPPOUND FRONT	
B060046-24	LEFT SIDE PANEL(BLACK)	
B060047-24	RIGHT SIDE PANEL (BLACK)	
B060070-04	BACK PANEL(BLACK)	



ITEM NO.	ITEM	Unit Price
A02019	GAS FITTING PT3/8"*PT1/2"	
A160001-00	S.T. STEEL WIRE PIPE (600mm)	
A160002-00	S.T. STEEL WIRE PIPE (2400mm)	
A260003-00	PUMP FOR CS1	
A26002	PUMP FOR CS2 & CS3	
A260008-00	MOTOR FOR CS1 110V	
A26004	MOTOR 220-240V 50/60Hz 1.6A (ETL)	
A27001	PIPE GASKET TEFLON	



品名：鍋爐管路組

MODEL : CS1 (ETL) -110V/220V

版次：110.03

ITEM: BOILER HYDRALIC CIRCUIT

VERSION : 110.03

ITEM NO.	ITEM	Unit Price
A020015-00	BRASS CONNECTOR	
A020056-00	BRASS CONNECTOR PT1/4*1/2-20UNF*1/2-20UNF	
A02004	BRASS PLUG	
A020055-00	BRASS CONNECTOR 1/4"X1/8"	
A02021	BRASS CONNECTOR 1/2-20UNF*PT1/4	
A02022	ELBOW BRASS PT3/8*3/8	
A02023	ELBOW BRASS 5/16*1/4	
A02068	BRASS FITTING PS1/4*PS1/4*L42	
A02069	BRASS FITTING PS1/4*PS1/4*L33.5	
A04003	HEATING ELEMENT 2000W 220V	
A040006-00	HEATING ELEMENT 1500W 110V	
A050010-00	SAFETY VALVE	
A05008	PRESSURE RELEASE TAP BULK UNIT PS1/4xPS1/4	
A05012	FLOWMETER DOSER	
A05013A	S.C.N.R.DOSER VALVE 1/2*1/2*1/2	
A050061-00	SOL. VALVE WATER REFILL ASSEMBLY 208~240V 60Hz (ETL)	
A050069-00	SOL. VALVE WATER REFILL ASSEMBLY 110V (ETL)	
A08002	PROBE ( SUS304 /3mm L132 )	
A10008	NUT M8	
A100012-00	HEX SCREM (M10*16)	
A170011-01	SI-GASKET ELEMENT	
A17002	NBR O RING	
A180004-00	VALVE GASKET BRASS	
A180005-00	VALVE GASKET BRASS	
A230001-00	SPRING WASHER M10	
A23001	SPRING WASHER M8	
A27002	PROBE FIXED SUPPORT	
A28008	SPHERICAL BRONZE CONICAL FILTER	
B050006-00	ANTI-EDDY VALVE V.A.R.	
B05003A	FLOW METER GAUGE	
B080023-00	BOILER	
B10002	LEVEL PROBE ASSEMBLY	
B300026-00	AUT.WATER REFILL TUBE REAR	
B300028-00	HEAT EXCHANGER INLET TUBE	
B300030-00	BOILER DRAINTUBE REAR	
B300031-00	PRESSURE GAUGE COPPER TUBE	





品名：鍋爐管路組

MODEL：CS2 (ETL)

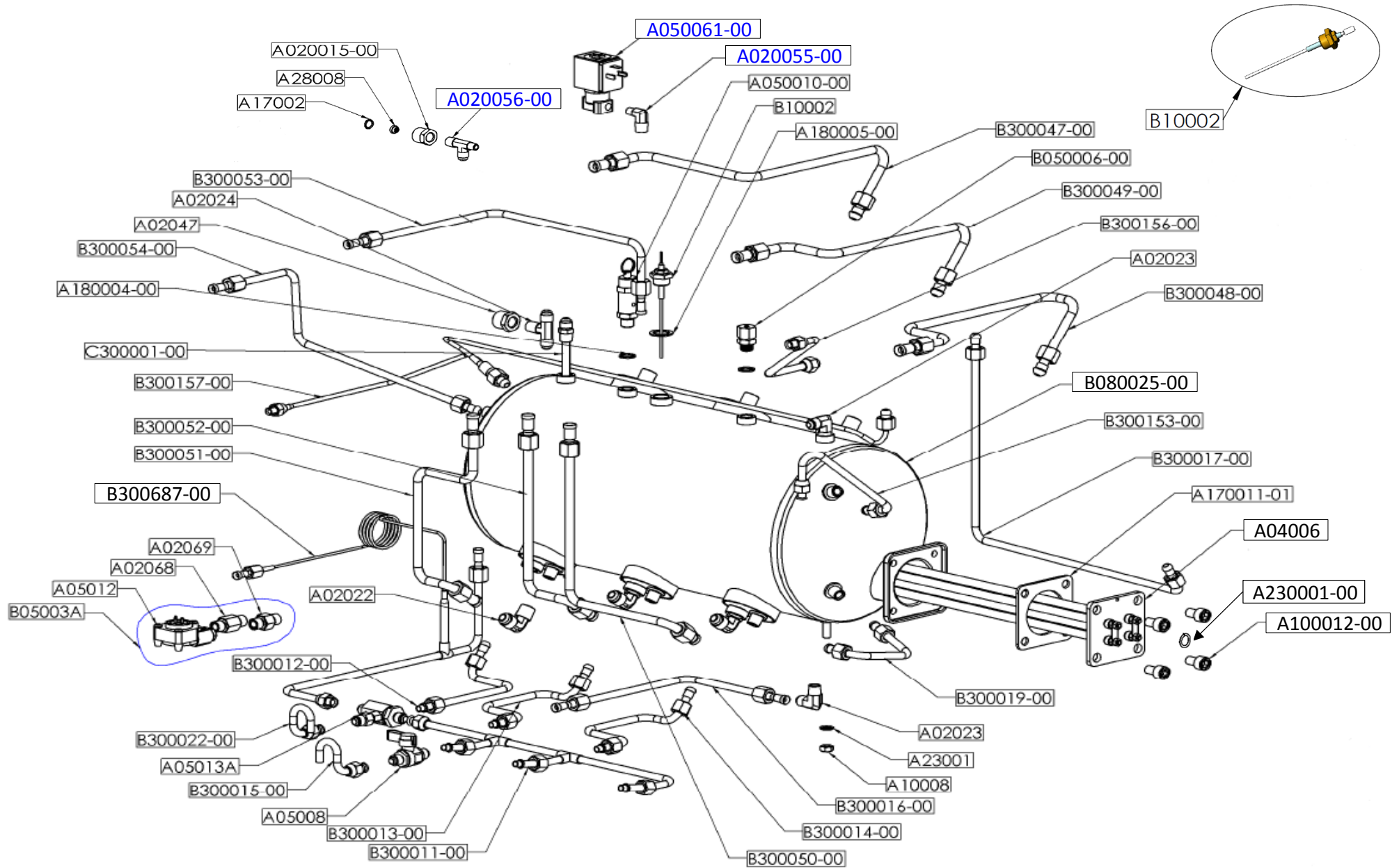
版次：110.03

ITEM: BOILER HYDRALIC CIRCUIT

VERSION：110.03

ITEM NO.	ITEM	Unit Price
A020015-00	BRASS CONNECTOR	
A020056-00	BRASS CONNECTOR PT1/4*1/2-20UNF*1/2-20UNF	
A020055-00	BRASS CONNECTOR 1/4"X1/8"	
A02021	BRASS CONNECTOR 1/2-20UNF*PT1/4	
A02022	ELBOW BRASS PT3/8*3/8	
A02023	ELBOW BRASS 5/16*1/4	
A02068	BRASS FITTING PS1/4*PS1/4*L42	
A02069	BRASS FITTING PS1/4*PS1/4*L33.5	
A04005	HEATING ELEMENT 4000W (CE)	
A050010-00	SAFETY VALVE	
A05008	PRESSURE RELEASE TAP BULK UNIT PS1/4xPS1/4	
A05012	FLOWMETER DOSER	
A05013A	S.C.N.R.DOSER VALVE 1/2*1/2*1/2	
A050061-00	SOL. VALVE WATER REFILL ASSEMBLY 208~240V 60Hz (ETL)	
A08002	PROBE ( SUS304 /3mm L132 )	
A10008	NUT M8	
A100012-00	HEX SCREM (M10*16)	
A170011-01	SI-GASKET ELEMENT	
A17002	NBR O RING	
A180004-00	VALVE GASKET BRASS	
A180005-00	VALVE GASKET BRASS	
A230001-00	SPRING WASHER M10	
A23001	SPRING WASHER M8	
A27002	PROBE FIXED SUPPORT	
A28008	SPHERICAL BRONZE CONICAL FILTER	
B050006-00	ANTI-EDDY VALVE V.A.R.	
B05003A	FLOW METER GAUGE	
B080024-00	BOILER	
B10002	LEVEL PROBE ASSEMBLY	
B300109-00	AUT.WATER REFILL TUBE	
B300138-00	WATER LEVEL UPPER TUBE	
B300140-00	PRESSURE GAUGE COPPER TUBE	
B30208C	FLOWMETER INLET TUBE	
B30209C	HEAT EXCHANGER INLET TUBE	
B30211A	BOILER DRAIN TUBE FRONT	
B30212C	BOILER DRAINTUBE REAR	





品名：鍋爐管路組

MODEL：CS3 (ETL)

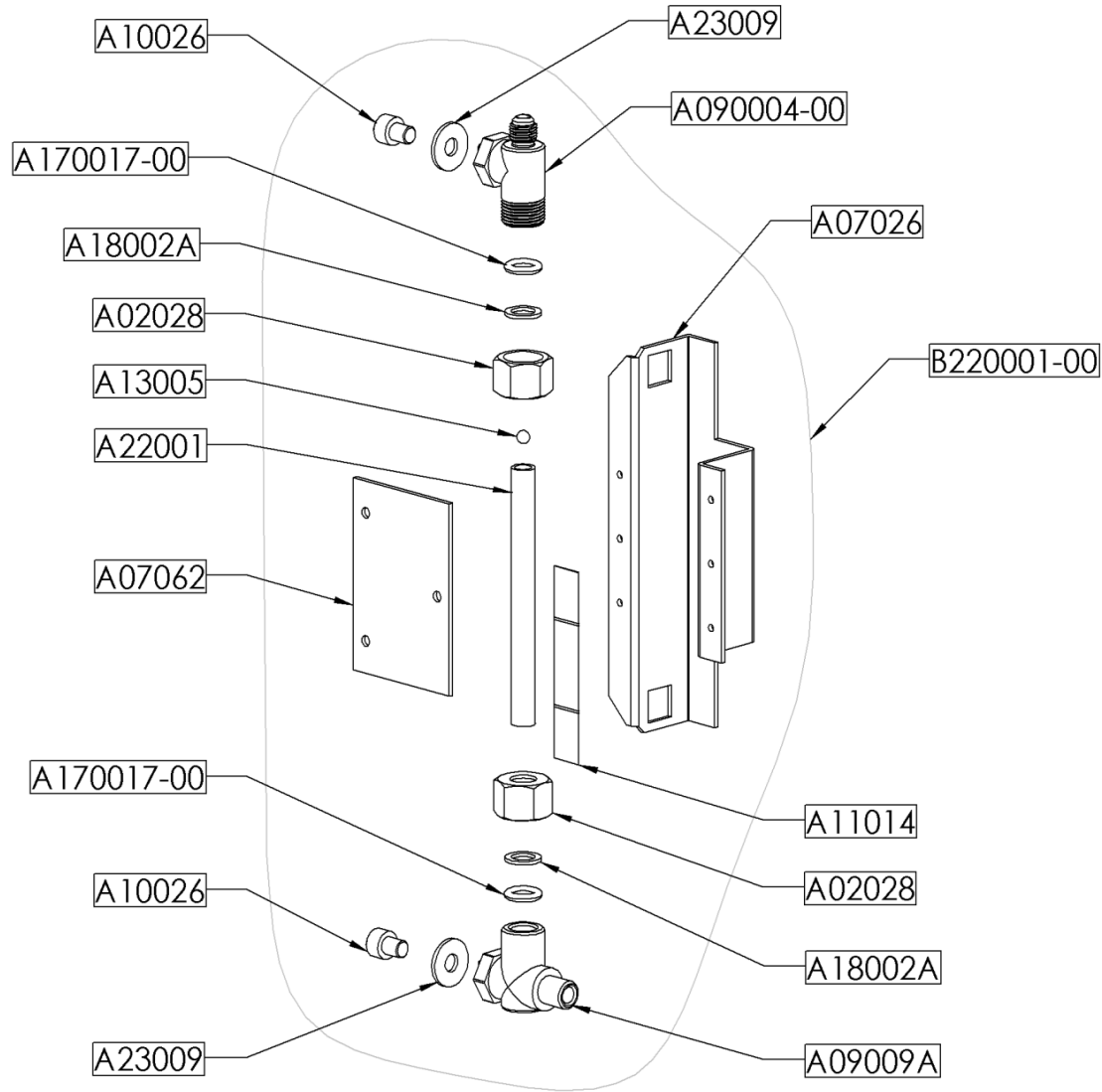
版次：110.03

ITEM: BOILER HYDRALIC CIRCUIT

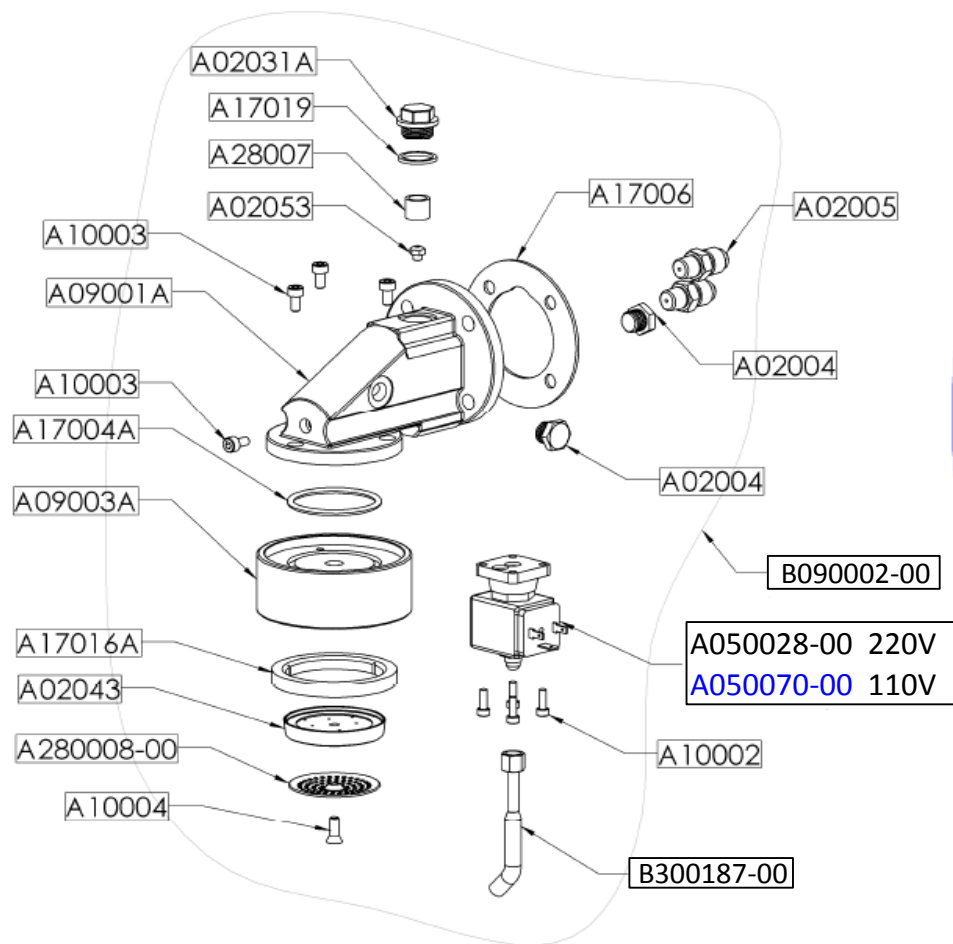
VERSION：110.03

ITEM NO.	ITEM	Unit Price
A020015-00	BRASS CONNECTOR	
<a href="#">A020055-00</a>	BRASS CONNECTOR 1/4"X1/8"	
<a href="#">A020056-00</a>	BRASS CONNECTOR PT1/4*1/2-20UNF*1/2-20UNF	
A02022	ELBOW BRASS PT3/8*3/8	
A02023	ELBOW BRASS 5/16*1/4	
A02068	BRASS FITTING PS1/4*PS1/4*L42	
A02069	BRASS FITTING PS1/4*PS1/4*L33.5	
A04006	HEATING ELEMENT 6000W (CE)	
<a href="#">A050010-00</a>	SAFETY VALVE	
A05008	PRESSURE RELEASE TAP BULK UNIT PS1/4xPS1/4	
A05012	FLOWMETER DOSER	
<a href="#">A05013A</a>	S.C.N.R.DOSER VALVE 1/2*1/2*1/2	
<a href="#">A050061-00</a>	SOL. VALVE WATER REFILL ASSEMBLY 208~240V 60Hz (ETL)	
A08002	PROBE ( SUS304 /3mm L132 )	
A10008	NUT M8	
A100012-00	HEX SCREM (M10*16)	
A170011-01	SI-GASKET ELEMENT	
A17002	NBR O RING	
<a href="#">A180004-00</a>	VALVE GASKET BRASS	
A180005-00	VALVE GASKET BRASS	
A230001-00	SPRING WASHER M10	
A23001	SPRING WASHER M8	
A27002	PROBE FIXED SUPPORT	
A28008	SPHERICAL BRONZE CONICAL FILTER	
<a href="#">B050006-00</a>	ANTI-EDDY VALVE V.A.R.	
B05003A	FLOW METER GAUGE	
B080025-00	BOILER	
<a href="#">B10002</a>	LEVEL PROBE ASSEMBLY	
B300011-00	FLOWMETER INLET TUBE	
B300012-00	HEAT EXCHANGER INLET TUBE LEFT	
B300013-00	HEAT EXCHANGER INLET TUBE MIDDLE	
B300014-00	HEAT EXCHANGER INLET TUBE RIGHT	
B300015-00	BOILER DRAIN TUBE FRONT	
B300016-00	BOILER DRAINTUBE REAR	
B300017-00	AUT.WATER REFILL TUBE REAR	
B300019-00	WTAER LEVEL LOWER TUBE	

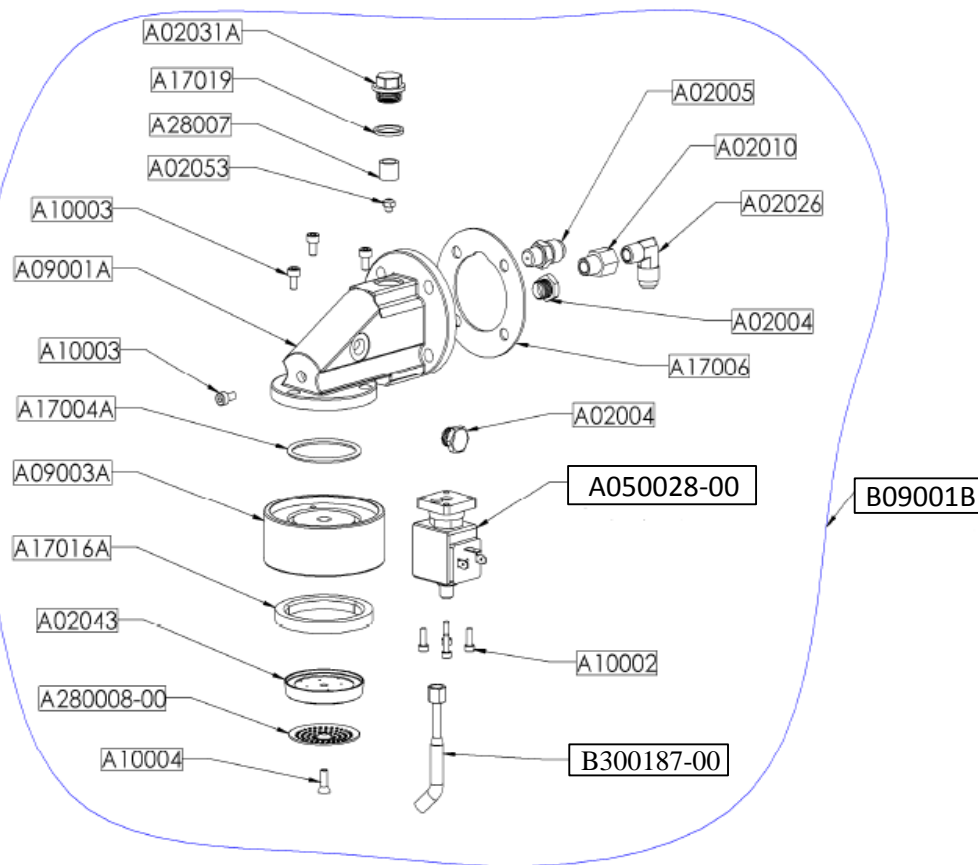






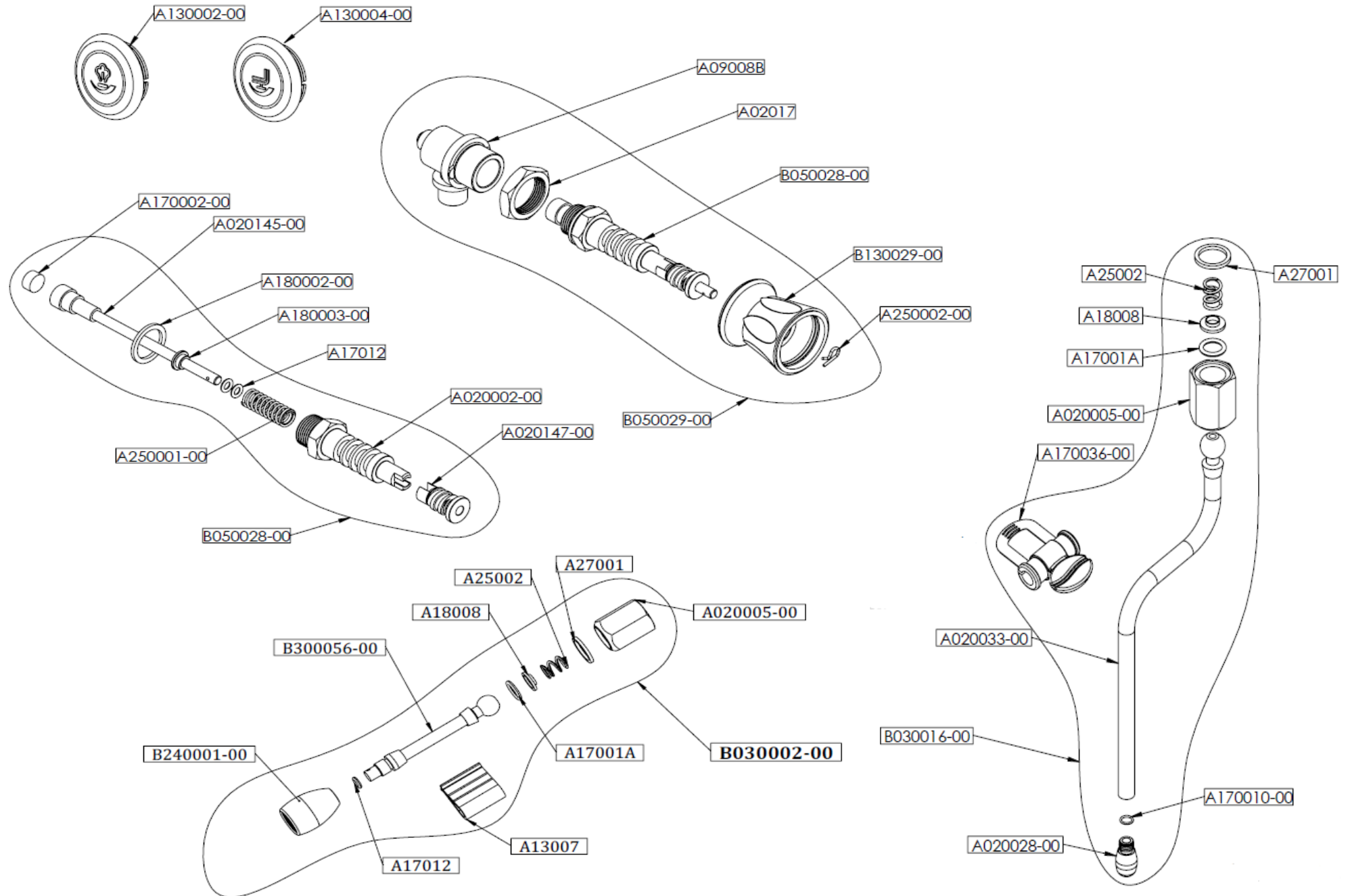


CS1 (ETL)



CS2 CS3 (ETL)







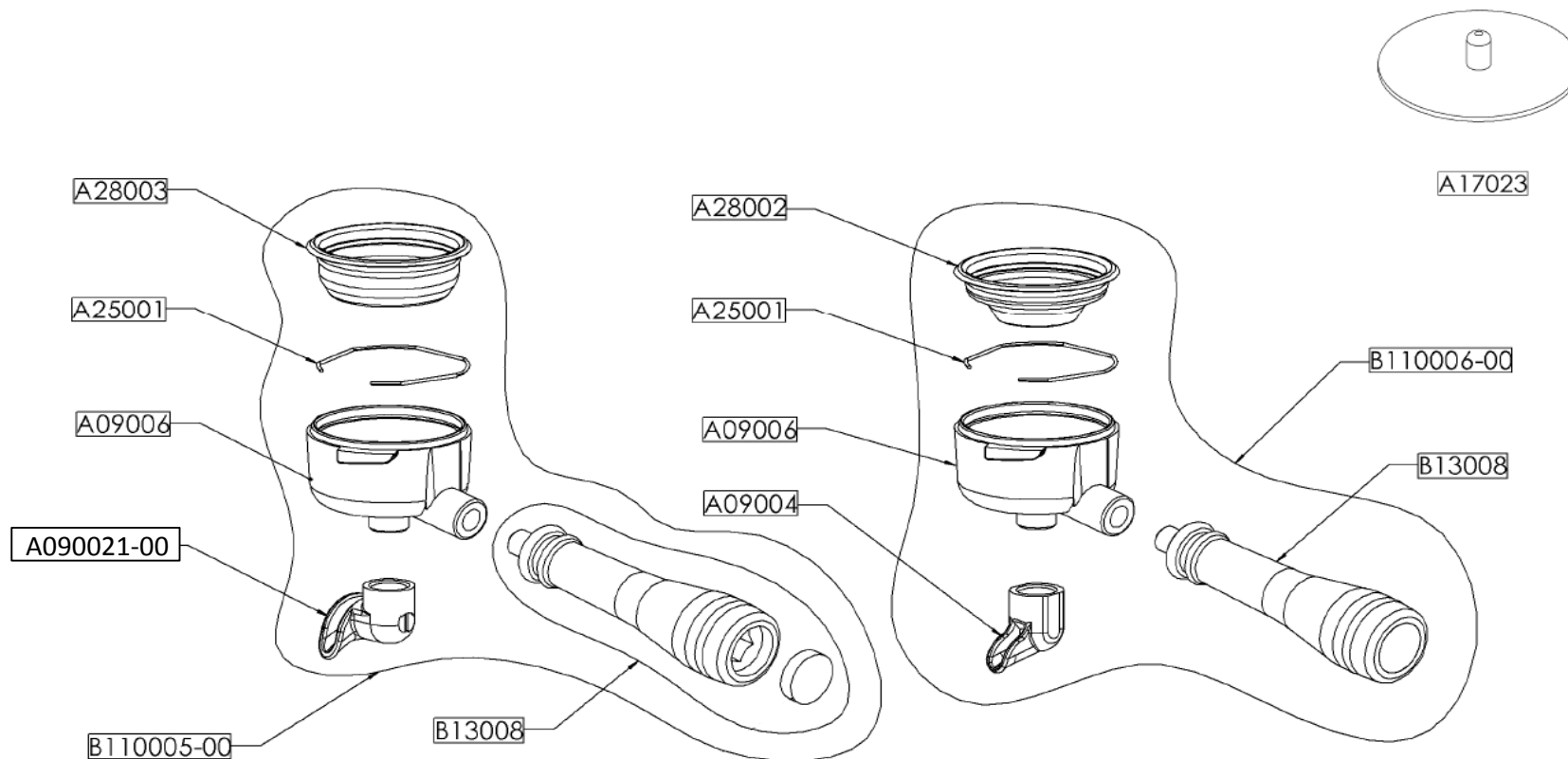
品名：濾杯把手組

ITEM: FILTER HOLDER ASSEMBLY

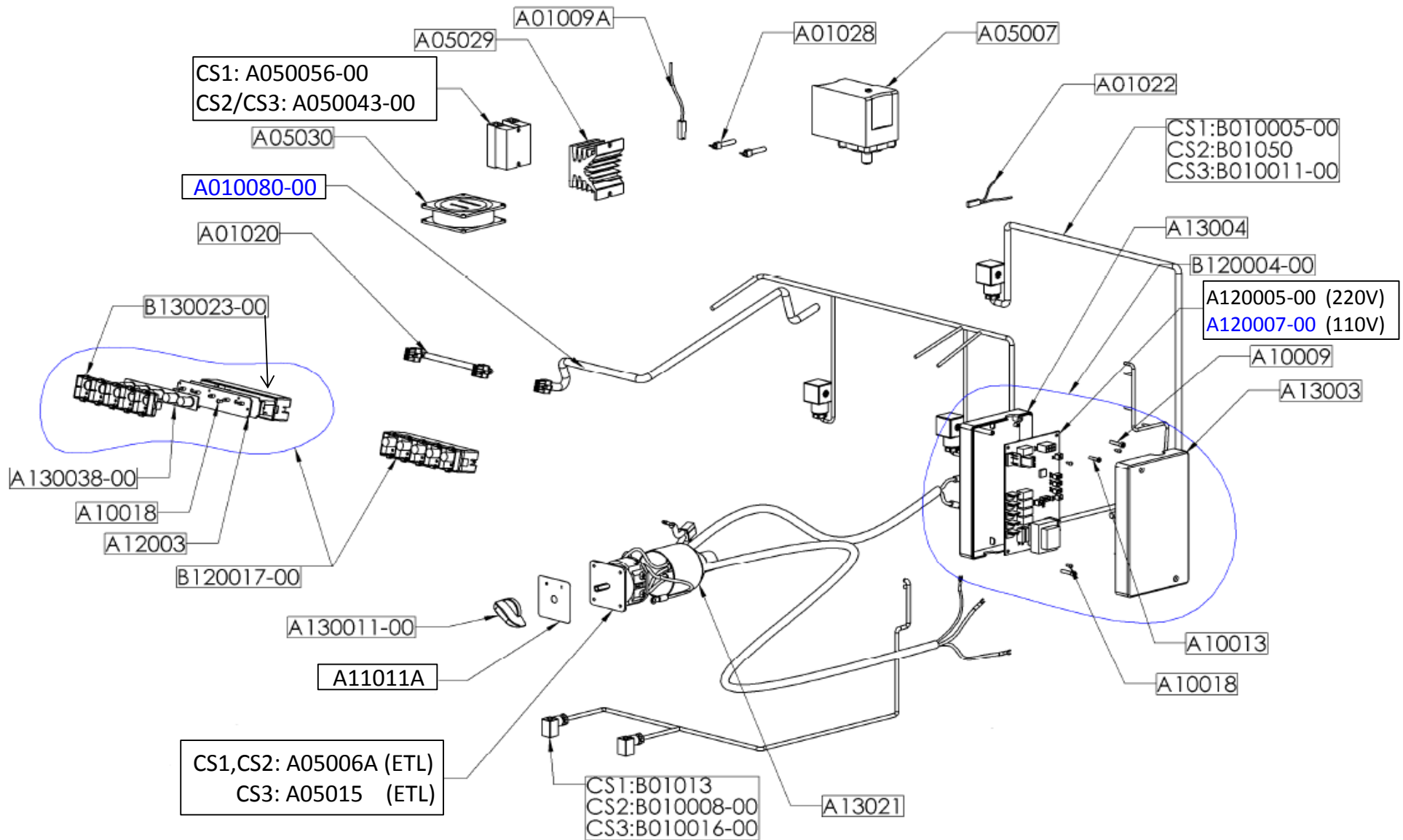
MODEL : CS1 CS2 CS3 (ETL)

版次：110.03

VERSION : 110.03



ITEM NO.	ITEM	Unit Price
A09004	1 CUPS BRASS SPOUT	
A09006	FILTER SUPPORT	
A17023	SILICA GEL WASHER	
A25001	FILTER CLAMP SPRING D1.4	
A28002	1 CUPS STAINLESS STEEL FILTER	
A28003	2 CUPS STAINLESS STEEL FILTER	
A090021-00	2 CUPS BRASS SPOUT	
B110005-00	2 CUPS FILTER HOLDER ASSEMBLY	
B110006-00	1 CUPS FILTER HOLDER ASSEMBLY	
B13008	FILTER HOLDER KNOB CAP	



品名：線材組

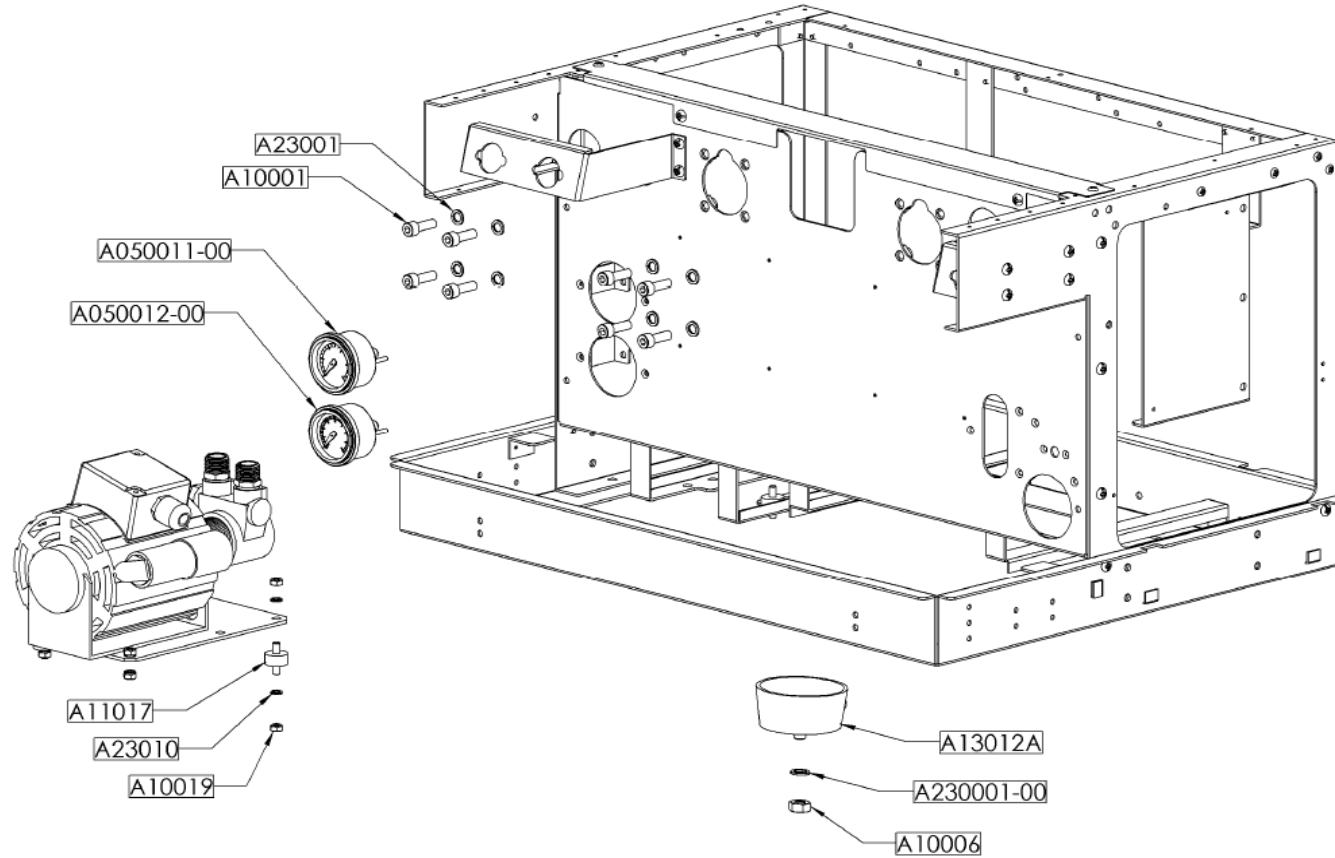
MODEL : CS1 CS2 CS3 (ETL)

版次：110.03

## ELECTRICAL SYSTEM ASSEMBLY

VERSION : 110.03

ITEM NO.	ITEM	Unit Price
A01009A	LEVEL PROBE CABLE	
A01020	SERIES CABLE PANEL<->PANEL	
A010080-00	SERIES CABLE PCB<->PANEL	
A01022	TEMP. PROTECTION FUSE (ETL)	
A01028	SELECT SWITCH	
A05006A	MAIN SWITCH ASSEMBLY /N1 N2(ETL)(32A)	
A05007	SI_501 CE PRESSURE SWITCH 220V AC 7KW 30A (CE/AU) (ETL)	
A05015	MAIN SWITCH ASSEMBLY /N3 (ETL)(63A)	
A050056-00	SOLID STATE RELAY 25A GN84131011 /CS1 (ETL)	
A050043-00	SOLID STATE RELAY 50A GN84137021 /CS2 CS3 (ETL)	
A05029	RADIATOR (ETL)	
A05030	FAN FOR SSR (ETL)	
A10009	SCREW M4*20	
A10013	SCREW ST3.5*19	
A10018	SCREW 3*8	
A11011A	MAIN SWITCH HAND GRIP LABEL PLATE 0-1 (ETL)	
A120005-00	CONTROL PC-MAINBOARD 220V	
A120007-00	CONTROL PC-MAINBOARD 110V	
A12003	CONTROL PC-MAINBOARD	
A130011-00	MAIN SWITCH HAND GRIP (CE/AU)	
A13003	CONTROL BOX WITHOUT IC BOARD (UP COVER)	
A130038-00	KEY BOARD FOR COFFEE	
A13004	CONTROL BOX WITHOUT IC BOARD (DOWN COVER)	
A13021	MAIN SWITCH COVER	
B010005-00	CABLE UNIT / CS1	
B01050	CABLE UNIT / CS2	
B010011-00	CABLE UNIT / CS3	
B01013	FLOWMETER GAUGE CABLE FOR CS1	
B010008-00	FLOWMETER GAUGE CABLE FOR CS2	
B010016-00	FLOWMETER GAUGE CABLE FOR CS3	
B120004-00	CONTROL BOX WITH IC BOARD	
B120017-00	TIMER / TOUCH PAD(CONTROL PC-MAINBOARD)	
B130023-00	OPERATE BOX	
B010023-00	MAIN SWITCH ASSEMBLY FOR CS3	
B010028-00	MAIN SWITCH ASSEMBLY FOR CS1 CS2	



ITEM NO.	ITEM	Unit Price
A050011-00	PRESSURE GAUGE 0 ~ 20 BAR	
A050012-00	PRESSURE GAUGE 0 ~ 6 BAR	
A10001	SCREW M8*25	
A10006	NUT M10	
A10019	NUT M6	
A11017	ANTI FOOT VIBRATION	
A13012A	DRAIN BASIN	
A230001-00	SPRING WASHER M10	
A23001	SPRING WASHER M8	
A23010	SPRING WASHER M6	