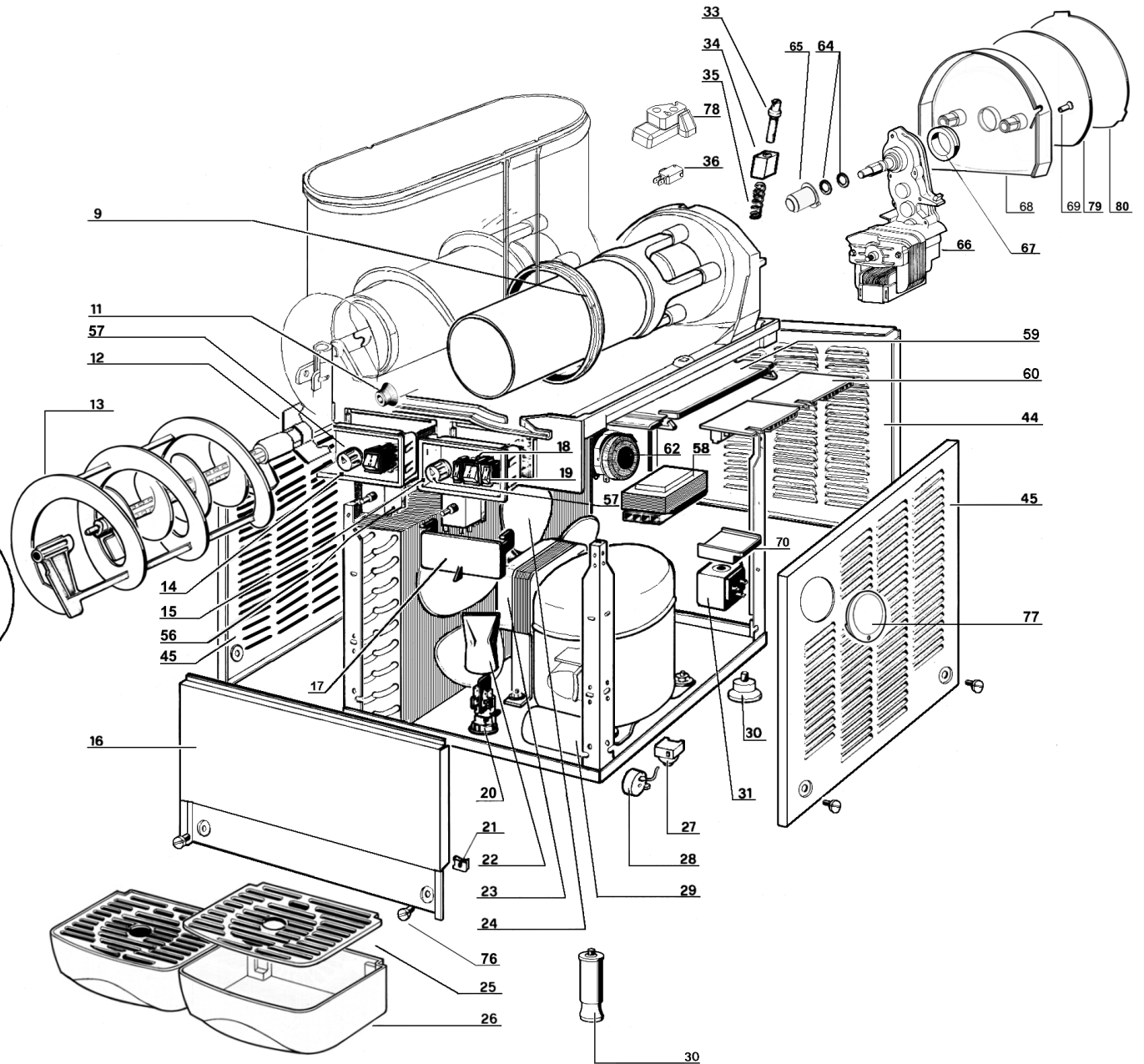
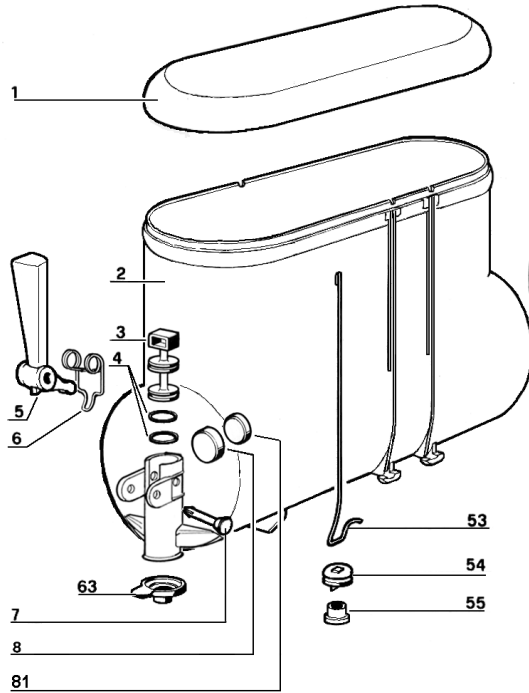
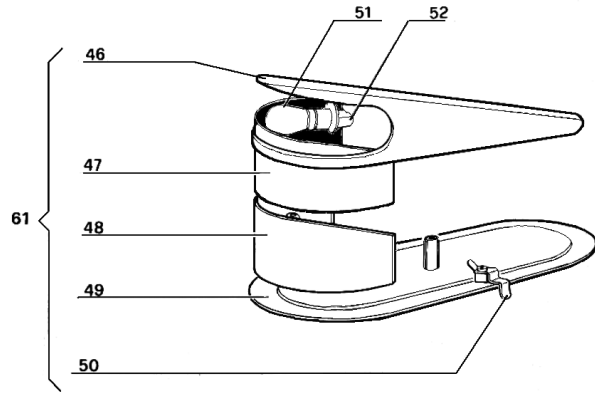


# NHT UL



| ref | Ugolini code                | code  | English                         | Espanol                        | ref | Ugolini code                | code  | English                                | Espanol   |
|-----|-----------------------------|-------|---------------------------------|--------------------------------|-----|-----------------------------|-------|--|---|
| 1   | 22800-23400                 | 00263 | Transparent cover               | Tapa trasparente               | 54  | 22800-22805                 | 00595 | Flexible contact                       | Gomita con contacto                               |
| 2   | <a href="#">22500-01302</a> | 00638 | Bowl                            | Contenedor                     | 55  | 22800-23000                 | 00177 | Fixing ring                            | Anillo de fijación                                |
| 3   | <a href="#">22800-14802</a> | 00420 | Faucet piston                   | Pistón del grifo               | 56  | <a href="#">33800-08300</a> | 00132 | Thermostat                             | Termostato  |
| 4   | 22800-15100                 | 00101 | Faucet piston OR                | Junta OR del pistón grifo      | 57  | <a href="#">22800-14500</a> | 00182 | Thermostat knob                        | Pomo para termostato                              |
| 5   | <a href="#">22800-27400</a> | 00639 | Faucet handle                   | Palanca grifo                  | 58  | ○○○                         | ○○○   | Transformer                            | Transformador                                     |
| 6   | 22800-15002                 | 00447 | Faucet handle spring            | Muelle de la palanca grifo     | 59  | 22800-14652                 | 00449 | PWB housing                            | Soporte circuito electrónico                      |
| 7   | 22800-22100                 | 00103 | Faucet handle pin               | Pivote de la palanca           | 60  | 22800-05240                 | 00448 | Delay electronic device                | Circuito electronico NHT                          |
| 8   | 22800-23502                 | 00536 | Thrust washer rubber cap        | Tapa de goma para buje         | 61  | 33800-04812                 | 00568 | Lighted top cover (assy.)              | Tapa completa con luz                             |
| 9   | 00653                       | 00653 | Bowl gasket                     | Junta del contenedor           | 62  | <a href="#">22800-26201</a> | 00269 | Timer switch                           | Contador de descongelación                        |
| 11  | 22800-16202                 | 00385 | Rear seal                       | Guarnicion posterior           | 63  | <a href="#">22800-24900</a> | 00134 | Restrictor cap                         | Tapa de restricción                               |
| 12  | <a href="#">22800-15901</a> | 00386 | Auger                           | Rascador interior              | 64  | 10028-03217                 | 00255 | Central shaft OR                       | OR para eje central                               |
| 13  | <a href="#">22800-16102</a> | 00111 | Outer spiral                    | Rascador exterior              | 65  | 22800-22401                 | 00150 | Grey front bushing for gear motor      | Buje gris anterior del arbol motor                |
| 14  | 22800-16502                 | 00129 | Switch box                      | Panel para interruptores       | 66  | 33800-04761-049             | 00387 | Gear motor                             | Motoreductor                                      |
| 15  | 22800-16402                 | 00130 | Power switch box                | Panel para interruptor general | 67  | 22800-22300                 | 00153 | Rear bushing                           | Buje posterior                                    |
| 16  | #N/D                        | #N/D  | Dispensing side panel           | Panel lado grifo               | 68  | 22800-17540                 | 00573 | Rear cover                             | Tapa posterior                                    |
| 17  | 22800-16603                 | 00562 | Switch box cover                | Tapa panel interruptores       | 69  | 22800-22202                 | 00569 | Rear cover fixing screw                | Tornillo fijación tapa posterior                  |
| 18  | 22800-24200                 | 00123 | 3-position switch               | Interruptor de 3 posiciones    | 70  | 22800-23799                 | 00463 | Solenoid valve plastic cap             | Protección de plastico para bobina electroválvula |
| 19  | <a href="#">22800-24300</a> | 00124 | 2-position switch               | Interruptor                    | 76  | 10502-55010                 | 00532 | Stainless steel fixing screw for panel | Tornillo inox fijacion paneles                    |
| 20  | 22800-05500                 | 00265 | Terminal block with cable clamp | Pasacable                      | 77  | <a href="#">10028-02002</a> | 00719 | Timer cover                            | Cobertura del contador de descongelación          |
| 21  | 10554-45001                 | 00179 | Clip                            | Clip                           | 78  | 10028-03222                 | 00704 | Micro-switch protection                | Goma de protección microinterruptor               |
| 22  | 22800-12700                 | 00297 | Terminal block protection       | Protección pasacable           | 79  | 10028-03731-085             | 00648 | "All Fruit" graphic for rear cover     | Fotografía para tapa posterior                    |
| 23  | ○○○                         | ○○○   | Fan motor                       | Motor ventilador               | 79  | 10028-03731                 | 00574 | "Strawberry" graphic for rear cover    | Fotografía para tapa posterior                    |
| 24  | 22800-13200                 | 00133 | Fan blade                       | Aspas                          | 80  | 10028-03703                 | 00575 | Rear cover picture screen              | Armazón para fotografía tapa posterior            |
| 25  | ○○○                         | ○○○   | Drip tray cover                 | Rejilla cajón recoge-gotas     | 81  | 22800-23500                 | 00109 | Thrust washer                          | Arandela de empuje                                |
| 26  | ○○○                         | ○○○   | Drip tray                       | Cajón recoge-gotas             | 45  | 22800-00302                 | 00238 | NHT 1UL side panel                     | Panel lateral NHT 1 UL                            |
| 27  | ***                         | ***   | Relay                           | Relé                           | 45  | 22800-00300                 | 00237 | NHT 1P-2-3 UL side panel               | Panel lateral NHT 1P-2-3 UL                       |
| 28  | ***                         | ***   | Overload protector              | Guardamotor                    | 45  | 22800-00205                 | 00526 | NHT 1P-2-3 UL panel for defrost timer  | Panel para contador de descongelación             |
| 29  | ***                         | ***   | Starting-run capacitor          | Condensador de arranque        | 46  | 22800-17020                 | 00563 | Lighted top cover (upper)              | Tapa con luz (superior)                           |
| 30  | 22800-10000                 | 00158 | Rubber leg                      | Pie nivelador                  | 47  | 10028-03704-085             | 00647 | "All Fruit" graphic for top cover      | Fotografía  |
| 30  | <a href="#">22800-04100</a> | 00092 | 4" leg                          | 4" pie nivelador               | 47  | 10028-03704                 | 00572 | "Strawberry" graphic for top cover     | Fotografía  |
| 31  | ***                         | ***   | Solenoid valve coil             | Bobine electroválvula          | 48  | 22800-16000                 | 00188 | Picture screen                         | Armazon   |
| 33  | 22800-16700                 | 00087 | Density adjustment screw        | Tornillo regulador densidad    | 49  | 22800-17100                 | 00094 | Lighted top cover (lower)              | Fondo de la tapa                                  |
| 34  | 22800-16961                 | 00720 | Shaped nut                      | Tuerca-guida del muelle        | 50  | 22800-11700                 | 00084 | Top cover light contact                | Contacto para luz                                 |
| 35  | <a href="#">22800-16800</a> | 00088 | Spring                          | Muelle                         | 51  | 10028-03800                 | 00100 | 28V bulb                               | Lampara 28V                                       |
| 36  | 22800-09301                 | 00121 | Microswitch                     | Microinterruptor               | 52  | 10028-04210                 | 00131 | Bulb socket                            | Muelle para contacto luz                          |
| 44  | ○○○                         | ○○○   | Back panel                      | Panel posterior                | 53  | 00529                       | 00529 | Light wire                             | Muelle para contacto luz                          |

○○○ See next table

\*\*\* Please order what printed on piece

○○○

**NHT 2 UL**

**16** 22800-21700  
**23** [33800-00602](#)  
**25** 22900-03700  
**26** [22900-03800](#)  
**44** 22800-00002  
**58** 22800-18221

**NHT 2 UL**

00240  
00108  
00564  
00565  
00236  
22800-18221

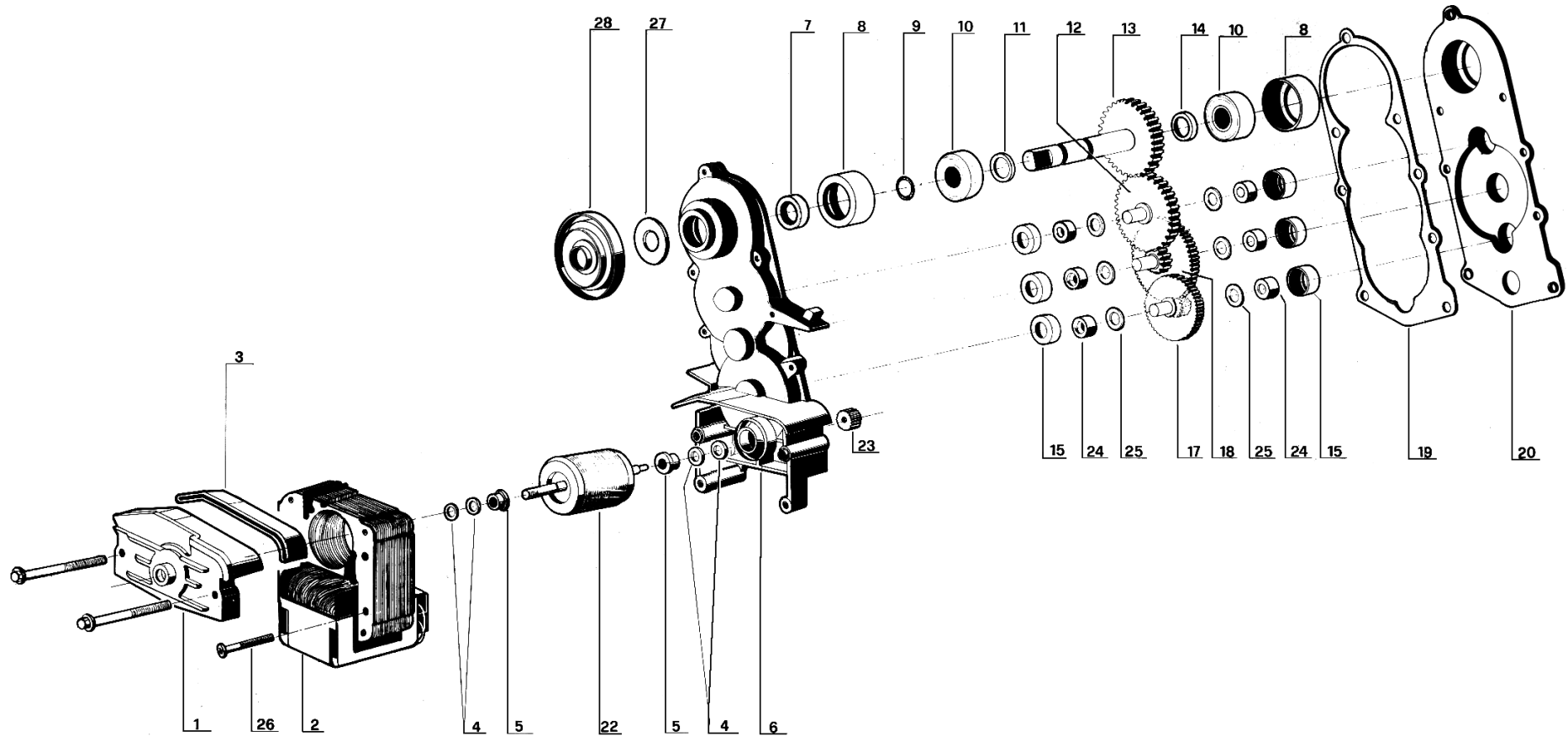
**NHT 3 UL**

22800-21800  
[33800-00602](#)  
22900-03700  
[22900-03800](#)  
22800-06102  
22800-18231

**NHT 3 UL**

00241  
00108  
00564  
00565  
00276  
00194

# GEAR MOTOR SPARE PARTS LIST



| ref | Ugolini code                | code  | English                         | Espanol                       | ref | Ugolini code                | code  | English            | Espanol                   |
|-----|-----------------------------|-------|---------------------------------|-------------------------------|-----|-----------------------------|-------|--------------------|---------------------------|
| 1   | <a href="#">22800-22651</a> | 00097 | Bracket with bush               | Soporte con buje              | 14  | 10028-03203                 | 00258 | 3.3 mm spacer      | Distancial 3,3 mm.        |
| 2   | 22800-22501                 | 00156 | Stator                          | Estator                       | 15  | 10028-03215                 | 00224 | Bushing rubber cap | Tapa de goma para buje    |
| 3   | 10028-03213                 | 00296 | Stator protection gasket        | Junta de la cobertura estador | 17  | 22800-22639                 | 00164 | First gear         | Primero engranaje         |
| 4   | 10028-03201                 | 00168 | Washer                          | Arandella                     | 18  | 22800-22640-049             | 00167 | Second gear        | Segundo engranaje         |
| 5   | <a href="#">10028-03200</a> | 00253 | Rotor spacer                    | Distancial del rotor          | 19  | 10028-03221                 | 00636 | Gasket             | Junta                     |
| 6   | <a href="#">33800-03802</a> | 00190 | Gear box with bushing           | Caja reductor con buje        | 20  | 22800-22643                 | 00721 | Gear box cover     | Tapa de la caja reductor  |
| 7   | 22800-22615                 | 00256 | Seal retainer                   | Junta de retencion            | 22  | 22800-22602                 | 00180 | Rotor              | Rotor                     |
| 8   | 10028-03216                 | 00254 | Ball bearing y 28 mm rubber cap | Tapa de goma para cojinete    | 23  | <a href="#">22800-22634</a> | 00187 | Pinion             | Piñón                     |
| 9   | 10028-03217                 | 00255 | Central shaft OR                | OR para eje central           | 24  | 10028-03204                 | 00169 | Bushing            | Buje                      |
| 10  | 22800-22613                 | 00247 | Ball bearing y 28 mm            | Cojinete de bolas y 28        | 25  | 10028-03205                 | 00170 | Washer             | Arandella                 |
| 11  | 10028-03202                 | 00257 | 1.5 mm spacer                   | Distancial 1,5 mm.            | 26  | 10540-13532                 | 00262 | Bracket screw      | Tornillo del estador      |
| 12  | <a href="#">22800-22611</a> | 00184 | Third gear                      | Tercero engranaje             | 27  | 22800-22638                 | 00151 | Shield washer      | Arandella para proteccion |
| 13  | 22800-22652                 | 00388 | Fourth gear                     | Cuarto engranaje              | 28  | 22800-22637                 | 00152 | Shield             | Proteccion                |



1220 Tangelo Terrace  
Delray Beach, FL 33444

E-Mail: [Sales@MonacoFoodservice.com](mailto:Sales@MonacoFoodservice.com)  
Phone: 561-406-8474

02427-00049 R2.5 16L18