

Giant 2 UL

OPERATOR'S MANUAL
CARNET D'INSTRUCTIONS
MANUAL DE INSTRUCCIONES



ugolini[®]

GB

4

F

11

E

19

ELENCO RICAMBI - Disponibile in internet all'indirizzo : <http://www.ugolinispa.com/download>

SPARE PARTS LIST - Available on the Internet at : <http://www.ugolinispa.com/download>

LISTE DES PIECES DE RECHANGE - Sur le site Internet à l'adresse : <http://www.ugolinispa.com/download>

ERSATZTEILLISTE - Auf der Internet-Seite : <http://www.ugolinispa.com/download>

DESCRIPCION PIEZAS DE REPUESTO - En el sitio de Internet en : <http://www.ugolinispa.com/download>

This dispenser is manufactured under one or more of the following U.S.patents and/or other pending patents:

Cet appareil est couvert par un ou plusieurs des brevets suivants et/ou autres demandes de brevet déposées:

Este aparato está cubierto por una o varias de las siguientes patentes y/o otras solicitudes de patente ya registradas:

US 2013,0263747 - US 2013,0152620 - US 2013,0098098 - US 2012,0234035 - US 6467,944 - US 5713,214 - US 6546,843 - DE 6010,0684

WO 2012,085692 - WO 2012,032425 - WO 2012,004687 - WO 2013,011078 - EP 2478,774 - EP 1155,622 - EP 0799,575 - EP 1162,168

1 TECHNICAL CHARACTERISTICS

		GIANT 2	GIANT 2
Transparent removable bowls	n	2	2
Capacity of each bowl, approx.	l	15	15
Dimensions:			
width	cm	46	46
depth	cm	53	53
height	cm	82	82
Net weight, approx.	kg	49	61
Gross weight, approx.	kg	53	66
Adjustable thermostats	n	2	2
Hermetic compressor	n	1	2
Air-cooled condenser			
Overload protector			
Noise level lower than 70 dB (A)			



IMPORTANT

Read electrical ratings written on the data plate of the individual units; the data plate is adhered on the dispensing side panel of the unit, just behind the drip tray (the right side drip tray in multiple bowl models). The serial number of the unit (preceded by the symbol #) is adhered inside the left switch box. Data plate specifications will always supersede the information in this manual.

The electric diagram of the dispenser is located in the inner part of the dispensing side panel.

Specifications are subject to change without notice.

2 INTRODUCTION

Please read all sections of this manual thoroughly to familiarize yourself with all aspects of the unit.

Like all mechanical products, this machine will require cleaning and maintenance. Besides, dispenser working can be compromised by operator's mistakes during disassembly and cleaning. It is strongly recommended that personnel responsible for the equipment's daily operations, disassembly, cleaning, sanitizing and assembly, go through these procedures in order to be properly trained and to make sure that no misunderstandings exist.

3 INSTALLATION

1 Remove the corrugate container and packing materials and

keep them for possible future use.



IMPORTANT

When handling the machine never grasp it by the bowls or by the evaporator cylinders. The manufacturer refuses all responsibilities for possible damages which may occur through incorrect handling.

2 Inspect the uncrated unit for any possible damage. If damage is found, call the delivering carrier immediately to file a claim.

3 Install the unit on a counter top that will support the combined weight of dispenser and product **bearing in mind what is stated in the preceding point 1 IMPORTANT warning.**

4 A minimum of 15 cm (6") of free air space all around the unit should be allowed to guarantee adequate ventilation.

5 Ensure that the legs are screwed tightly into the base of the machine.

Replace the standard legs originally installed with the 100 mm (4") legs whenever they are provided with the unit.

6 Before plugging the unit in, check if the voltage is the same as that indicated on the data plate. Plug the unit into a grounded, protected single phase electrical supply according to the applicable electrical codes and the specifications of your machine. When the unit has no plug, install a proper grounded plug, in compliance with electrical codes in force in your area, suitable to at least 10 Amp 250 Volt (220-230 Volts 50-60 Hz areas) and 20 Amp 250 Volt (100-115 Volts 50-60 Hz areas) applications. Should you prefer to connect the unit directly to the mains, connect the supply cord to a 2-pole wall breaker, whose contact opening is at least 3 mm. Do not use extension cords.



ATTENTION

Failure to provide proper electrical ground according to applicable electrical codes could result in serious shock hazard.

7 The unit doesn't come presanitized from the factory. Before serving products, the dispenser must be disassembled, cleaned and sanitized according to this handbook instructions (chapter 5.3 CLEANING AND SANITAZING PROCEDURES).



IMPORTANT

Install the dispenser so that the plug is easily accessible.

4 TO OPERATE SAFELY

1 Do not operate the dispenser without reading this operator's manual.

2 Do not operate the dispenser unless it is properly grounded.

3 Do not use extension cords to connect the dispenser.

4 Do not operate the dispenser unless all panels are restrained with screws.

5 Do not obstruct air intake and discharge openings: 15 cm (6") minimum air space all around the dispenser.

6 Do not put objects or fingers in panels louvers and faucet outlet.

7 Do not remove bowls, augers and panels for cleaning or routine maintenance unless the dispenser is disconnected from its power source.

8 Do not pour food product inside the dispenser at a

temperature higher than 40°C.

lift it. (see figure 1)

5 OPERATING PROCEDURES



ATTENTION

In case of damages, the power cord must be replaced by qualified personnel only in order to prevent any shock hazard.

1 Clean and sanitize the unit according to the instructions in this manual. See chapter 5.3 CLEANING AND SANITIZING PROCEDURES.

2 Fill the bowls with product to the maximum level mark. Do not overfill.
The exact quantity of product (expressed as liters and gallons) is shown by marks on the bowl.

3 In case of products to be diluted with water, potable water, pour water into bowl first, then add correct quantity of product. In case of natural squashes, it is advisable to strain them, in order to prevent pulps from obstructing the faucet outlet.

4 To obtain the best performance and result, use bases designed to be run in Granita freezers. Such bases have a sugar content of 34 degrees Baumé corresponding to 64 degrees Brix.

For soft drinks the bases are to be diluted with more water, on a 1 plus 5/5.5 basis.

In any case follow the syrup manufacturer's instructions for both Granita and soft drink recipes.

If natural juices (e.g. lemon, orange) as well as sugarless products (e.g. coffee) are used, dissolve 150 - 200 grams of sugar per liter.



IMPORTANT

Operate the dispenser with food products only.



IMPORTANT

However Granita mix may be done, its Brix (sugar percent content) must be at least 13.

5 Install the covers and check that they are correctly placed over the bowls. There must be a correct electrical connection between the bowl and the cover.



IMPORTANT

For LS models only: if the covers are not correctly installed the unit does not run, the mixer does not rotate and the refrigerator is switched off.

6 Set the control switches as shown in chapter 5.1 DESCRIPTION OF CONTROLS.

7 Always leave the dispenser on, as the refrigeration stops automatically when Granita reaches the proper thickness. The mixers will continue to turn.

8 To remove the cover push any of the two fixing buttons and

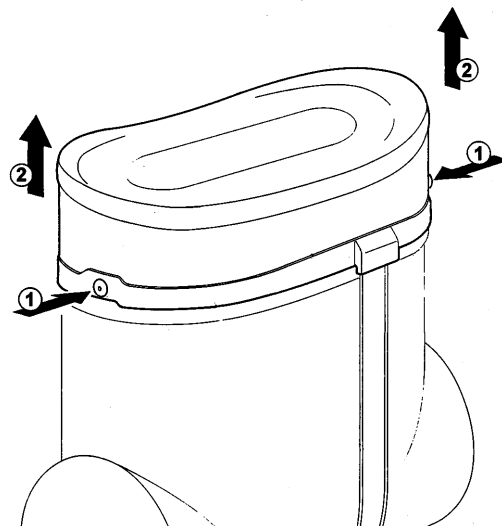


figure 1

9 It is possible to lock the cover by rotating the two keys located on its lower part. (see figure 2)

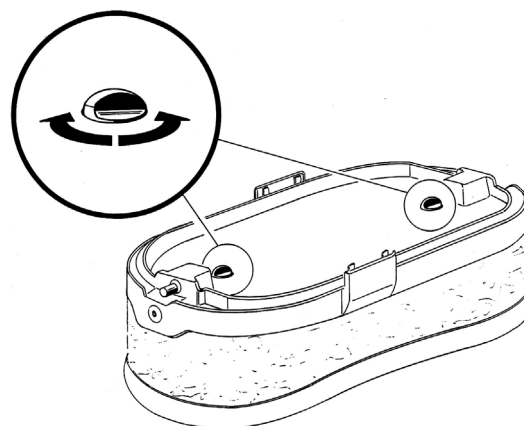


figure 2

10 To release a locked top cover it is necessary to insert a sharpened object in the hole located in the middle of the fixing button, push it and lift the cover. (see figure 3)

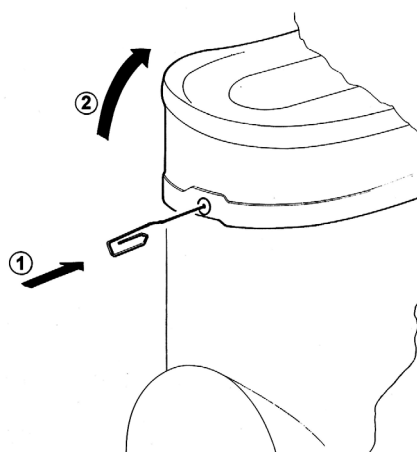


figure 3

11 If you use the dispenser with milk-based products, never switch it off. When not in use activate the storage function.

5. 1 DESCRIPTION OF CONTROLS

The dispenser is equipped with a power switch and a light

GIANT 2 UL

switch. In addition each bowl is individually operated by a mixer/refrigeration switch. In fact it is possible to dispense both soft drinks and Granita.

When a bowl is in Soft Drink mode the beverage temperature is controlled by the corresponding thermostat.

When a bowl is in Granita mode the mix viscosity is controlled by the corresponding adjustment screw located in the rear wall of each container (for temperature and viscosity setting make reference to chapter 5.2 OPERATION HELPFUL HINTS).

All the switches are located on the faucet side of the dispenser in switch panels protected by switch covers (see figure 4).

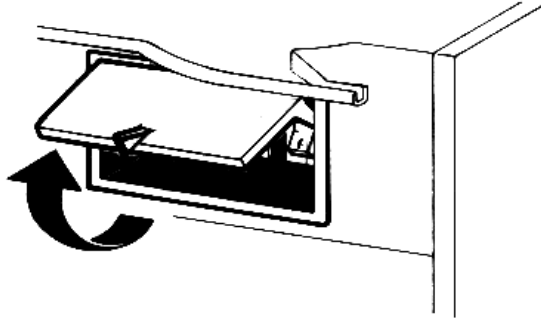


figure 4

In addition all the models are equipped with an automatic safety pressure switch to prevent damages to the compressor. The lighting of the warning light at the left of the switch covers means insufficient ventilation of the unit. In this case check that all around the dispenser there is sufficient space for ventilation, at least 15 cm (6") on each side and that condenser filter is free from dust or other obstructions.

In case the warning light is still ON even after these operations have been carried out, Service call is required.

With reference to figure 5 dispenser controls functions are as follows:

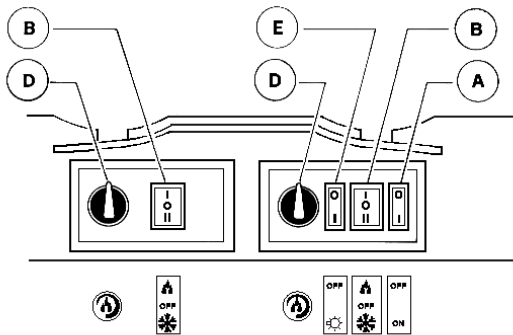


figure 5

Power switch (A)

- 0 position : power is turned OFF to all functions.
- I position : power is turned ON to all functions and the other switches are enabled. The fan motor runs.

Light switch (E)

- 0 position : all top cover lights are OFF.
- I position : all top cover lights are ON, provided that power switch (A) is set to I.

Mixer/refrigeration switch (B)

- I position : mixer and refrigeration ON. SOFT DRINK mode.
- 0 position : OFF.
- II position : mixer and refrigeration ON. GRANITA mode.

Thermostat (D)

- Turn clockwise : to decrease temperature
- Turn counterclockwise : to increase temperature

To operate the unit:

- 1 Set the power switch to I position.
- 2 Set the mixer/refrigeration switches as follows:
 - to the I position to get soft drink.
 - to the II position to get Granita.
- 3 Set the light switch to I position.

5. 2 OPERATION HELPFUL HINTS

1 Granita viscosity adjustment: proper Granita viscosity is factory preset. To change the viscosity, if needed, use a standard screwdriver to turn the adjustment screw located in the rear wall of each container as follows (see figure 6):

- towards right (clockwise) to obtain a thicker product (the indicator F will go down in opening G).
- towards left (counterclockwise) to obtain a thinner product (the indicator F will go up in opening G).

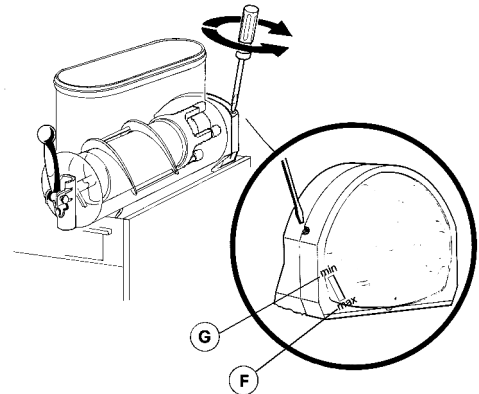


figure 6

2 Beverage temperature adjustment: proper beverage temperature is factory preset. To reset, turn the knob located in each switch box as follows:

- towards right (clockwise) to decrease temperature.
- towards left (counterclockwise) to increase temperature.

Note: beverage temperature is controlled by the thermostat only when the mixer/refrigeration switch(es) are in I position, Soft Drink mode.

3 The length of time for freeze down of Granita is governed by many variables, such as ambient temperature, mix initial temperature, sugar content (Brix level) and viscosity setting.

4 To shorten Granita recovery time and increase productivity, it is advisable to pre-chill the product to be used in the dispenser.

5 To shorten Granita recovery time and increase productivity, the bowl should be refilled after the product level drops lower than half of the evaporator cylinder and at the start of each day.

6 For good product conservation the dispenser must run overnight, at least in Soft Drink mode.

If this is not possible and product is left in the bowls overnight, the mixer/refrigeration switches must be set to the I position at least one hour before the unit is switched off. This eliminates any block of iced product forming overnight, which could result in damage to mixers or to their motor when the unit is switched back on. In any case, before the unit is restarted, make sure that no blocks of ice have been formed; if so, they are to be removed before the unit is switched on. Overnight operation in drink mode also eliminates possible ice accumulation from condensation all around the bowls.

7 Mixers must not be turned off when frozen product is in the bowl: if not agitated, the product may freeze to a solid block of ice. If the mixers are turned back on in this situation, damage to the mixers and their motor may result. Therefore, mixers may be restarted only after product is melted.

8 The dispenser is equipped with a magnetic coupling by

which the gear motor (located outside the bowl) drives the mixers (inside the bowl).

The magnetic drive operates as an “intelligent clutch” able to automatically disconnect the mixers in case they are seized by ice or other causes.

This inconvenience can be soon noticed since an intermittent dull noise warns that mixers are still.

In this case it is necessary to unplug immediately the dispenser, empty the bowl and eliminate the cause of seizing.

9 The dispenser must be able to emit heat.

In case it seems excessive, check that no heating source is close to the unit and air flow through the slotted panels is not obstructed by wall or boxes. Allow at least 15 cm (6”) of free clearance all around the dispenser.

In any case if the product in the bowls is frozen the unit is running properly.

5. 3 CLEANING AND SANITIZING PROCEDURES

1 Cleaning and sanitizing of the dispenser are recommended to guarantee the conservation of the best product taste and the highest unit efficiency. This section is a procedural guideline only and is subject to the requirements of the local Health Authorities.

2 Prior to the disassembly and cleaning, the machine must be emptied of product. To do this proceed as follows:

- set the power switch to I position
- set mixer/refrigeration switch(es) to I position (Soft Drink mode)
- place a pail under each faucet and drain all product from bowls
- set all control switches to the 0 position



IMPORTANT

Cleaning, washing and sanitizing, as described in the following chapters, should be performed on a daily basis.

5. 3. 1 DISASSEMBLY



ATTENTION

Before any disassembly and/or cleaning procedure make sure that the dispenser is disconnected from its power source by unplugging it or switching off the 2-pole wall breaker.

1 Remove cover from the bowl.

2 Remove the bowl by lifting its faucet side up and off the

fastening hooks (see figure 7) and slide it out (see figure 8).

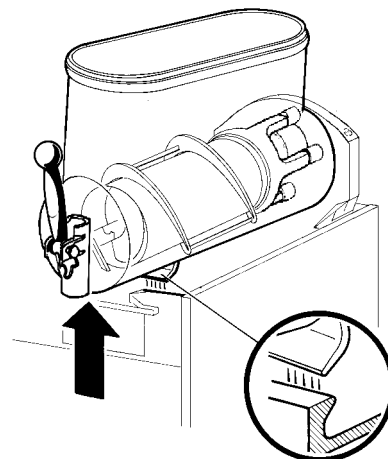


figure 7

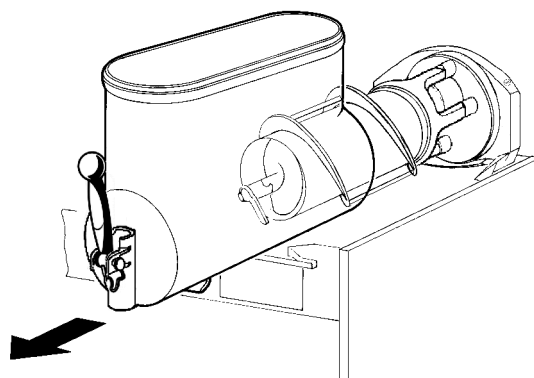


figure 8

3 Slide the outer spiral out (see figure 9) and then the inside auger (see figure 10).

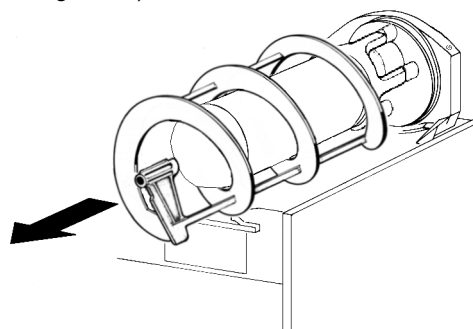


figure 9

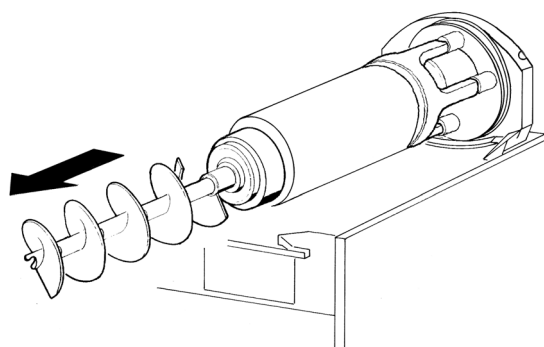


figure 10

GIANT 2 UL

4 Remove the bowl gasket from its seat (see figure 11).

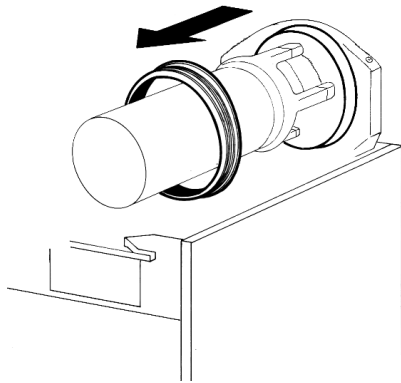


figure 11

5 Remove the faucet assembly sliding the pin and pulling up the handle. (see figure 12).

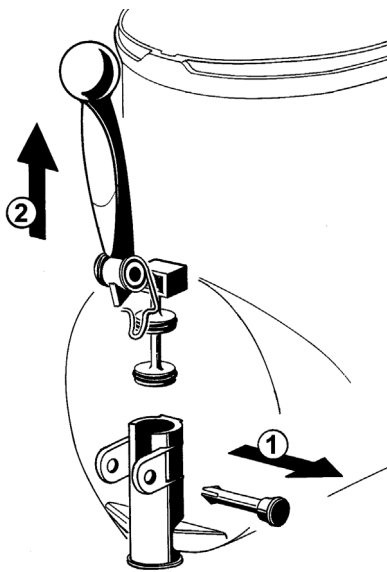


figure 12

6 Slide the drip tray out and empty it.

5. 3. 2 CLEANING



IMPORTANT

Do not attempt to wash any machine components in a dishwasher.



ATTENTION

Before any disassembly and/or cleaning procedure make sure that the dispenser is disconnected from its power source.

1 Prepare at least two gallons of a mild cleaning solution of warm (45-60 °C 120-140 °F) potable water and dishwashing detergent. Do not use abrasive detergent. Important: if present, follow label directions, as too strong a solution can cause parts damage, while too mild a solution will

not provide adequate cleaning.



IMPORTANT

In order to prevent any damages to the dispenser use only a detergent suitable with plastic parts.

2 Using a brush, suitable for the purpose, thoroughly clean all disassembled parts in the cleaning solution.



ATTENTION

When cleaning the machine, do not allow excessive amounts of water around the electrically operated components of the unit. Electrical shock or damage to the machine may result.

3 Do not immerse the lighted top covers in liquid. Wash them apart with the cleaning solution. Carefully clean their undersides.

4 In the same manner clean the evaporator cylinder(s) using a soft bristle brush.

5 Rinse all cleaned parts with cool clean water.

5. 3. 3 SANITIZING

Sanitizing should be performed immediately prior to starting the machine. Do not allow the unit to sit for extended periods of time after sanitization. Sanitization must be performed whenever the distributor is put back into operation with a new product.

1 Wash hands with a suitable antibacterial soap.

2 Prepare at least two gallons of a warm (45-60 °C 120-140 °F) sanitizing solution (100 PPM available chlorine concentration or 1 spoon of sodium hypochlorite diluted with 2 litres of water) according to your local Health Codes and manufacturer's specifications.

3 Place the parts in the sanitizing solution for five minutes.

4 Do not immerse the lighted top covers in liquid. Carefully wash their undersides with the sanitizing solution.

5 Place the sanitized parts on a clean dry surface to air dry.

6 Wipe clean all exterior surfaces of the unit. Do not use abrasive cleaner.

5. 3. 4 ASSEMBLY

1 Slide the drip tray into place.

2 Lubricate faucet piston, inside auger and outer spiral (see points A, B and C of figure 13) only with the grease supplied by the manufacturer or other food grade approved lubricant.

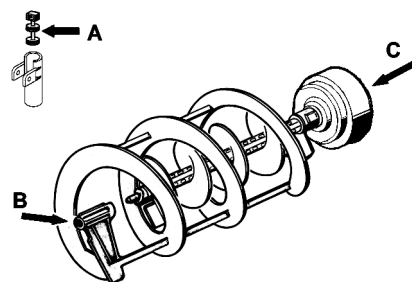


figure 13

3 Assemble the faucet by reversing the disassembly steps (see figure 12)

4 Fit bowl gasket around its seat.

Note: the largest brim of gasket must face against the rear wall

(see figure 14).

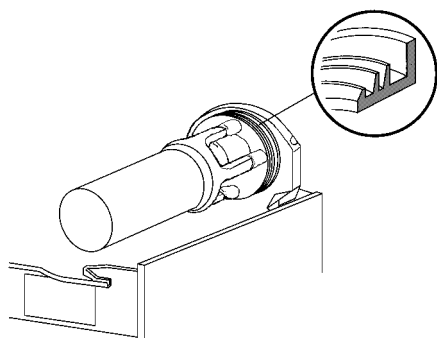


figure 14

5 Insert the auger into the evaporator taking care to accompany it to the end so as to prevent it from hitting against the rear wall (see figure 15).

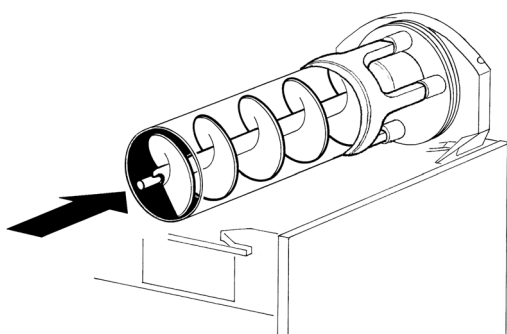


figure 15

6 Install the outer spiral. Slide it over the evaporator until its front notch engages with the exposed end of the auger shaft (see figure 16).

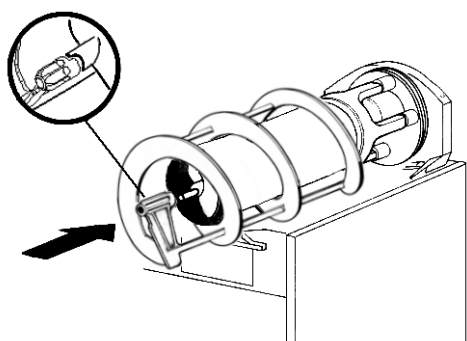


figure 16

7 Push the bowl towards the rear wall of the unit until it fits snugly around the gasket and its front fastening hooks are properly engaged (see figure 17).

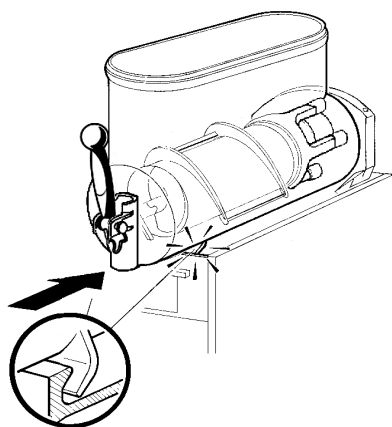


figure 17

8 Use fresh product to chase any remaining sanitizer from the bottom of the bowl(s). Drain this solution. Do not rinse out the

machine.

5. 4 IN-PLACE SANITIZATION

The In-Place Sanitization prior to starting the machine may be performed, if needed, only as further precaution, in addition to the Disassembled Parts Sanitization described before, but never in lieu of it.

1 Prepare two gallons of a warm (45-60°C, 120-140 °F) sanitizing solution (100 PPM available chlorine concentration or 1 spoon of sodium hypochlorite diluted with 2 liters of water) according to your local Health Codes and manufacturer's specifications.

2 Pour the solution into the bowl(s).

3 Using a brush suitable for the purpose, wipe the solution on all surfaces protruding above the solution-level and on the underside of the top cover(s).

4 Install the top cover(s) and operate the unit. Allow the solution to agitate for about two minutes. Drain the solution out of the bowl(s).

5 Use fresh product to chase any remaining sanitizer from the bottom of the bowl(s). Drain this solution. Do not rinse out the machine.

6 ROUTINE MAINTENANCE

1 Daily: inspect the machine for signs of product leaks past seals and gaskets. If proper assembly does not stop leaks around seals or gaskets, check for improper lubrication, worn or damaged parts. Replace parts as needed.



ATTENTION

Before any disassembly and/or cleaning procedure make sure that the dispenser is disconnected from its power source by unplugging it or switching off the 2-pole wall breaker.

2 Monthly: remove the dust from the condenser filter. A blocked filter will reduce performance and could cause compressor failure.

Remove the only left panel (from faucet side) unscrewing the two plastic coated screws (see figure 18).

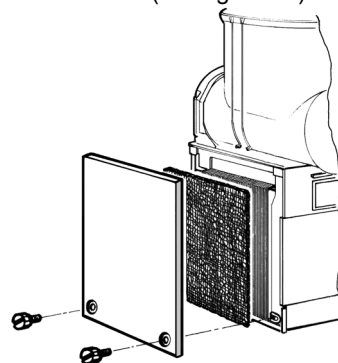


figure 18



ATTENTION

Condenser fins are very sharp. Use extreme caution when cleaning.

3 Replacement of lighted top cover bulbs: remove the fixing screw located in the upper part of the cover, lift the socket and replace the bulbs. Reassembly the support and the fixing

screw. (see figure 19)

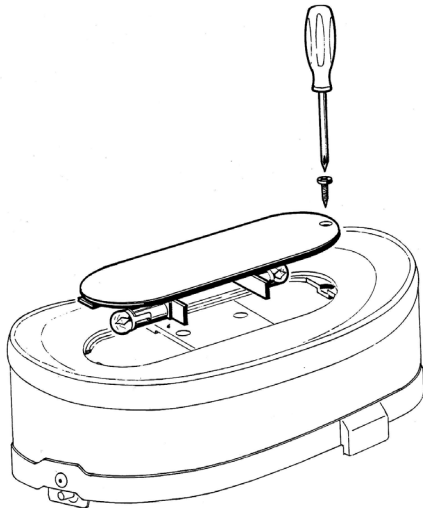


figure 19

6. 1 MAINTENANCE (TO BE CARRIED OUT BY QUALIFIED SERVICE PERSONNEL ONLY)

- 1 Annually:** remove the panels and clean the inside of the machine including the base, side panels, condenser, etc.
- 2 Annually:** Check if the auger bushings are worn out or ovalized. If they are, replace them with new ones.
- 3** When installed, the anti-splash filters inside the slotted panels must not be removed.
- 4** Never remove the insulating jacket from around the suction tubing of the evaporator (the copper tubing located on the right side of gear motor). In case the insulating jacket is missing replace the entire parts with original spare parts from the supplier.
- 5** In order to prevent any damages to the dispenser, all plastics parts must be lubricated only with grease supplied by the manufacturer or with another lubricating product suitable for polycarbonate.

7 DEFROST TIMER (OPTIONAL)

The Defrost Timer, located on the right side of the unit, automatically switches the dispenser from Granita mode to Soft Drink mode and the opposite. This means that during defrost periods frozen Granita will melt to thermostat setting temperature and once defrost period has expired, the product

automatically freezes down again to Granita setting viscosity.

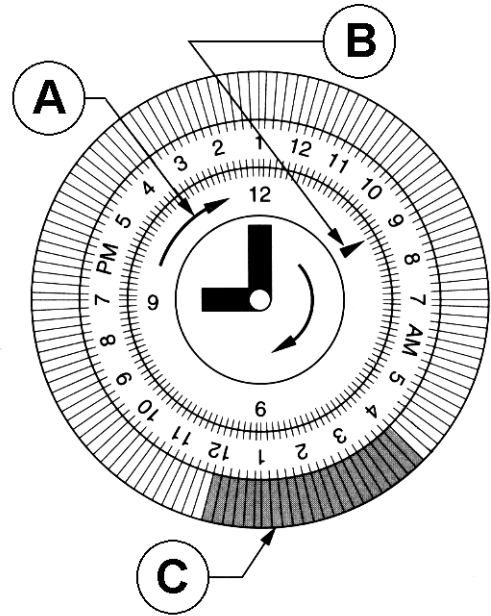


figure 20

To operate the defrost timer proceed as follows (see figure 20).

- 1** Set the time of the day by rotating the dial clockwise (arrow A). **Never rotate the timer counterclockwise** as this would damage the internal mechanism. Align the current time of day with the arrow B on the timer face. This is a 24 hour timer showing both A.M. and P.M.
- 2** Program the defrost timer by pushing out on the tabs C that correspond to the hours desired to defrost. Each tab represents 15 minutes. A minimum of four to eight hours are required to defrost frozen beverage (depending on ambient conditions). **Note:** when all the tabs are pushed in the defrost function is OFF (the machine operates as if it were not equipped with Defrost Timer).

1 CARACTERISTIQUES TECHNIQUES

		GIANT 2	GIANT 2
Réservoirs transparents démontables	n	2	2
Capacité chaque réservoir, environ	l	15	15
Dimensions:			
largeur	cm	46	46
profondeur	cm	53	53
hauteur	cm	82	82
Poids net, environ	kg	49	61
Poids brut, environ	kg	53	66
Thermostats réglables	n	2	2
Motocompresseur hermétique	n	1	2
Condenseur à ventilation mécanique			
Protège-moteur			
Niveau de bruit inférieur à 70 dB (A)			



IMPORTANT

Caractéristiques électriques: lire les données reportées sur la plaque de chacun des distributeurs; celle-ci est située dans la partie inférieure du panneau frontal, derrière le tiroir égouttoir de droite. Les numéros de matricule des appareils (précédés du symbole #) sont placés à l'intérieur de l'espace contenant les interrupteurs de gauche. Les données reportées sur la plaque sont toujours celles auxquelles il faut se référer.

Le schéma électrique du distributeur est reporté sur la partie interne du panneau du côté robinet.

Nous nous réservons le droit d'apporter des modifications sans préavis.

2 INTRODUCTION

Nous vous conseillons de lire attentivement ce carnet d'instructions afin de connaître toutes les caractéristiques du distributeur.

Comme tous les produits mécaniques, ce distributeur a besoin d'être nettoyé et entretenu. Son bon fonctionnement peut être compromis par d'éventuelles erreurs commises par l'opérateur pendant les phases de démontage et de nettoyage. Il est donc important que les procédures de démontage, lavage, désinfection et remontage, qui sont des opérations quotidiennes, soient connues sans possibilité d'erreur par tout le personnel chargé du distributeur.

3 INSTALLATION

1 Sortir le distributeur de son emballage et garder celui-ci

pour toute nécessité future.



IMPORTANT

Pendant les opérations de transport ou de soulèvement, le distributeur ne doit jamais être saisi par les réservoirs transparents ou par les cylindres évaporateurs. Le fabricant ne répond pas des dommages provoqués par ce genre de manoeuvre erronée.

2 Contrôler que le distributeur n'ait pas été endommagé pendant le transport. Si c'est le cas, faire immédiatement une réclamation au transporteur.

3 Placer le distributeur sur un comptoir en mesure d'en supporter le poids, y compris à pleine charge, **en tenant compte de ce qui a été dit dans l'avertissement IMPORTANT du point 1 précédent.**

4 Laisser un espace libre d'au moins 15 cm autour du distributeur pour ne pas empêcher le passage du flux d'air de refroidissement.

5 Contrôler la stabilité de l'appareil en réglant éventuellement les pieds en hauteur. Si le distributeur est fourni avec une série de pieds hauts (environ 100 mm), cette dernière doit remplacer la série d'origine.

6 Avant de brancher le distributeur à l'électricité, contrôler que la tension de réseau est la même que celle indiquée sur la plaque. Brancher le distributeur à un réseau monophasé, en utilisant une prise avec mise à la terre conformément aux normes en vigueur. Si le distributeur est fourni sans fiche, brancher au câble une fiche conforme aux normes en vigueur dans votre Pays, avec broche ou contacts de terre et adaptée pour des courants d'au moins 10 A 250 V (pour les secteurs ayant des tensions de 220V-230V 50-60 Hz) et 20 A 250 V (pour les secteurs ayant des tensions de 100-115 V 50-60 Hz). Pour réaliser un branchement fixe au réseau, brancher le câble à un interrupteur mural de type bipolaire avec ouverture des contacts d'au moins 3 mm. Ne pas utiliser de rallonges pour brancher électriquement l'appareil.



ATTENTION

S'assurer que l'appareil soit correctement branché à la terre; en cas contraire, il y a des risques d'électrocution pour les personnes et d'endommagement pour le distributeur.

7 Quand le distributeur sort de l'usine, il n'est ni prélavé, ni désinfecté. Avant de l'utiliser, il faut le démonter, le laver et le désinfecter en suivant les instructions fournies dans ce carnet au chapitre 5.3 NETTOYAGE.

4 POUR UN FONCTIONNEMENT SANS DANGER

1 Ne pas utiliser le distributeur avant d'avoir lu ce carnet d'instructions.

2 Ne pas utiliser le distributeur s'il n'est pas branché correctement à la terre.

3 Ne pas utiliser de rallonges pour brancher électriquement le distributeur.

4 Ne pas mettre le distributeur en fonction si les panneaux ne sont pas à leur place et bloqués avec des vis.

5 Ne pas faire obstacle au flux d'air de refroidissement; laisser un espace libre d'au moins 15 cm autour du distributeur.

6 Ne pas introduire les doigts ou des objets dans les fissures des panneaux et dans l'ouverture du robinet.

7 Ne pas démonter le réservoir, ni enlever les mélangeurs ou les panneaux pour le nettoyage ou l'entretien sans s'être assuré que le distributeur est débranché de l'électricité.

8 Ne pas verser de produit alimentaire dans le distributeur à une température supérieure à 40°C.

5 MODE D'EMPLOI



ATTENTION

Si le câble est endommagé, il doit être remplacé par le fabricant ou par son service technique ou de toute façon par du personnel qualifié pour éviter tout risque.

1 Laver et désinfecter le distributeur avant de l'utiliser en suivant les instructions fournies dans ce carnet au chapitre 5.3 NETTOYAGE.

2 Remplir les réservoirs avec le produit choisi sans dépasser le niveau maximum indiqué sur les réservoirs. La quantité de produit dans le réservoir (exprimée en litres ou en gallons) est indiquée par les repères se trouvant sur le réservoir.

3 Si l'on désire distribuer des produits concentrés à diluer avec de l'eau, il faut verser l'eau dans les réservoirs et ajouter la quantité nécessaire de concentré en suivant les instructions du fabricant. Si l'on veut utiliser des jus de fruits pressés, il est conseillé de les filtrer afin d'éviter que les parties solides qu'ils contiennent puissent boucher le passage du robinet.

4 Pour obtenir les meilleurs résultats, il est conseillé d'utiliser comme produits de base des sirops expressément préparés pour "granita".

Si l'on désire obtenir une boisson et non une granita, chaque litre de sirop doit être dilué dans environ 5-5,5 litres d'eau (un litre de plus par rapport à ce qui est indiqué pour la granita).

Il est dans tous les cas conseillé de respecter les instructions données par le fabricant de sirops.

Si l'on utilise des produits naturels (par exemple des jus de citron ou d'orange) ou non sucrés (par exemple du café), faire dissoudre 150-200 grammes de sucre dans chaque litre de produit.



IMPORTANT

Utiliser l'appareil seulement avec des produits alimentaires.



IMPORTANT

Dans tous les cas, une fois le mélange effectué, son degré Brix (pourcentage de sucre contenu) doit être supérieur à 13.

5 Monter les couvercles sur les réservoirs en s'assurant que ceux-ci sont positionnés correctement et que la connexion électrique entre le réservoir et le couvercle est correcte.



IMPORTANT

Uniquement pour les modèles LS: quand les couvercles ne sont pas installés, la machine ne peut pas fonctionner, les mélangeurs ne tournent pas et la réfrigération est arrêtée.

6 Agir sur les interrupteurs (voir chapitre 5.1 DESCRIPTION DES COMMANDES).

7 Le distributeur doit toujours fonctionner avec les couvercles montés afin d'éviter une éventuelle contamination du produit.

8 Le distributeur doit fonctionner sans interruption: la réfrigération de chaque cuve s'arrête automatiquement quand le produit est prêt. Les dispositifs de mélange continuent à fonctionner.

9 Pour enlever le couvercle, poussez une des deux touches

de fixation et soulevez-le. (voir figure 1)

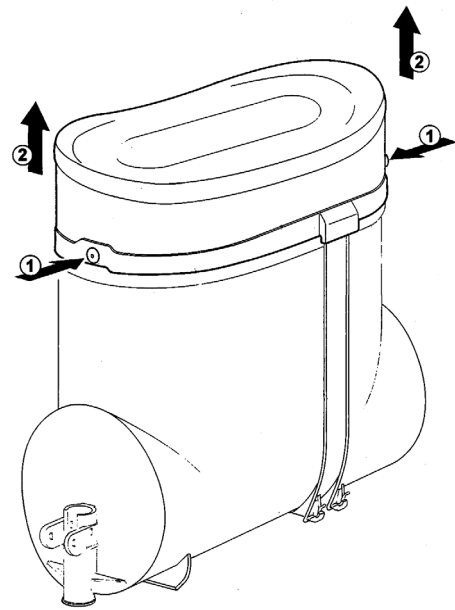


figure 1

10 Il est possible de bloquer le couvercle en tournant les deux clefs placées sur le fond du couvercle même. (voir figure 2)

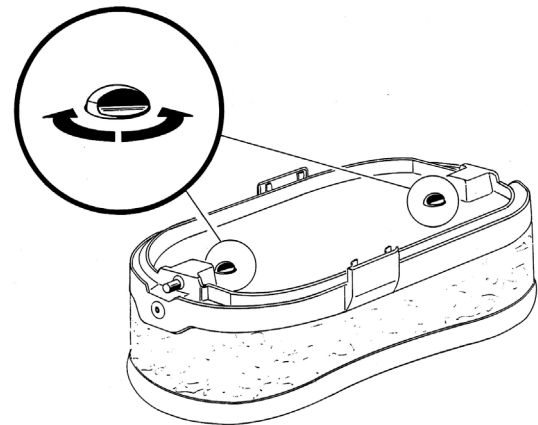


figure 2

11 Pour libérer un couvercle bloqué, introduisez un objet pointu dans le trou de la touche de fixation, poussez et soulevez

le couvercle.(voir figure 3)

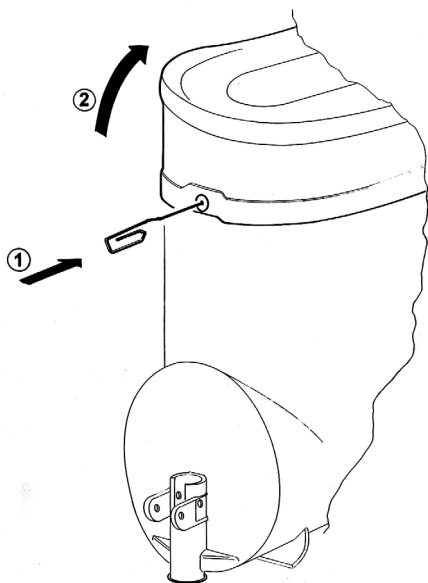


figure 3

12 Si vous utilisez le distributeur avec des produits à base de lait, ne l'éteignez jamais. Lorsque vous ne l'utilisez pas, activez la fonction de stockage.

5. 1 DESCRIPTION DES COMMANDES

Le distributeur est équipé d'un interrupteur général et d'un interrupteur pour l'éclairage. Chaque réservoir est équipé d'un interrupteur permettant de mettre en marche le dispositif de mélange et sélectionner le type de refroidissement du produit. Il est en effet possible d'obtenir soit des boissons froides soit des produits glacés tels que les granitas ou sorbets.

Quand la fonction boisson est sélectionnée, la température de la boisson est réglée par le thermostat correspondant. Quand la fonction "granita" est sélectionnée, la densité du produit est réglée par la vis de réglage prévue à cet effet, située sur chacune des parois postérieures du distributeur (pour le réglage de la température et de la densité, se référer au chapitre 5.2. SUGGESTIONS).

Tous les interrupteurs sont situés sur la partie frontale du distributeur (côté robinets) et sont protégés par un volet spécial (voir figure 4).

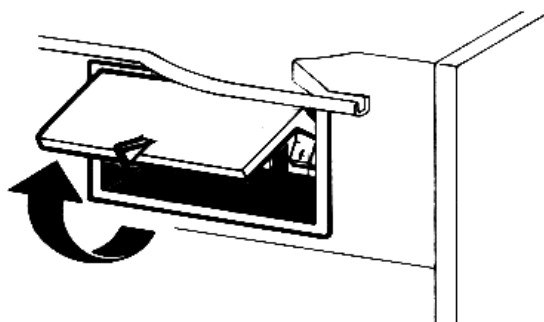


figure 4

Tous les modèles sont de plus équipé d'un pressostat de sûreté servant à prévenir les éventuels endommagements du motocompresseur. Quand le témoin, situé à gauche du couvercle de la boîte des interrupteurs, s'allume, cela indique que le flux d'air de refroidissement est insuffisant. Si cela se produit, vérifier qu'il y a autour de l'appareil l'espace nécessaire pour une ventilation adéquate (au moins 15 cm de chaque côté) et que le filtre du condenseur est propre. Si le témoin reste allumé après que ces vérifications ont été effectuées, il est recommandé de s'adresser à un service d'assistance.

Les fonctions des commandes du distributeur sont les suivantes:

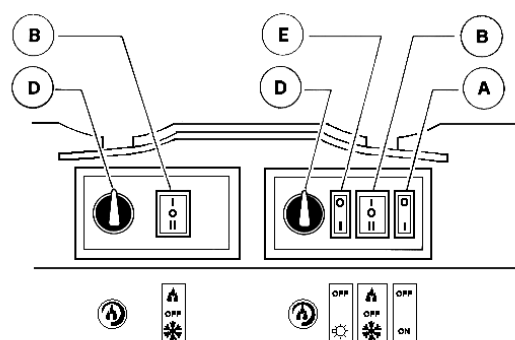


figure 5

Interrupteur général (A)

- Position 0 : le distributeur est éteint.
- Position I : le distributeur peut fonctionner. Ventilateur en marche.

Interrupteur d'éclairage (E)

- Position 0 : Les lampes des couvercles sont éteintes.
- Position I : Les lampes des couvercles sont allumées.

Interrupteurs mélangeurs et réfrigération (B)

- Position I : Mélangeurs et réfrigération en marche. Position BOISSON.
- Position O : Mélangeurs et réfrigération éteints.
- Position II : mélangeurs et réfrigération en marche. Position "GRANITA".

Thermostat (D)

- Rotation de gauche à droite : boisson plus froide.
- Rotation de droite à gauche : boisson moins froide.

Pour le fonctionnement du distributeur:

- 1 Placer l'interrupteur général en position I.
- 2 Placer l'interrupteur général en position I.
 - en position I, si l'on désire refroidir le produit sans le glacer
 - en position I, si l'on désire refroidir le produit sans le glacer
- 3 Placer l'interrupteur d'éclairage en position "I" pour allumer les lumières.

5. 2 SUGGESTIONS

1 Réglage de la densité: la densité optimale de la granita a été réglée en usine. Si l'on désire modifier cette densité, tourner avec un tournevis la vis de régulation densité située dans chacune des parois postérieures du distributeur (voir figure 6):

- vers la droite (sens des aiguilles d'une montre) pour obtenir une granita plus dense (le repère F dans le regard G se déplacera vers le bas);
- vers la gauche (sens inverse des aiguilles d'une montre) pour obtenir une granita moins dense (le repère F dans le regard G se déplacera vers le haut).

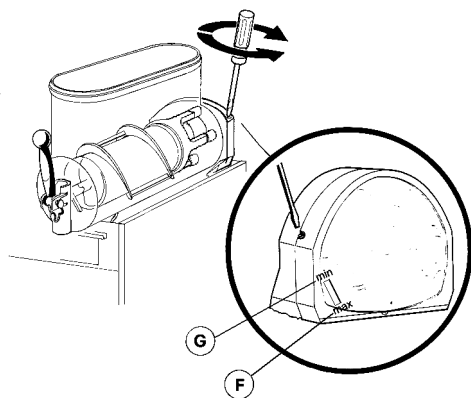


figure 6

2 Réglage de la température: la température optimale de la boisson (pour le fonctionnement du distributeur comme réfrigérateur de boissons au lieu de distributeur de granita) est réglée en usine. Si l'on désire modifier cette température, il faut tourner la poignée située dans chaque boîte porte-interrupteurs:

- vers la droite (sens des aiguilles d'une montre) pour obtenir une boisson plus froide;
- vers la gauche (sens inverse des aiguilles d'une montre) pour obtenir une boisson moins froide.

Remarque: Le réglage de la température de la boisson ne produit un effet que quand l'interrupteur mélangeurs et réfrigération est en position Boisson.

3 Le temps nécessaire pour obtenir la réfrigération du produit varie en fonction de différents facteurs comme par exemple la température ambiante, la température initiale du produit, le sucre contenu (degré Brix) et le réglage de la densité.

4 L'efficacité du distributeur peut être augmentée en versant dans les réservoirs du produit pré-raffroidi.

5 Pour diminuer encore les temps de refroidissement et augmenter ainsi l'autonomie du distributeur, rajouter du produit dans les réservoirs quand le niveau est descendu à la moitié.

6 Pour garantir une bonne conservation du produit, le distributeur doit fonctionner également pendant la nuit, au moins en position Boisson. Si cela n'est pas possible et les produits restent dans les réservoirs alors que le distributeur est éteint, il est conseillé de placer les interrupteurs mélangeurs et réfrigération en position I une heure avant d'éteindre l'appareil afin d'éviter la formation de blocs de glace ou de croûtes de glaces. Ceux-ci risqueraient en effet d'endommager les dispositifs mélangeurs. Si des blocs de glace devaient tout de même se former, ils devront toujours être enlevés avant que l'appareil ne soit remis en marche. Le fonctionnement nocturne en position Boisson élimine également le risque que de la glace se forme (à cause de la condensation de l'humidité atmosphérique) à l'extérieur des réservoirs.

7 Ne jamais arrêter les mélangeurs quand il y a de la granita dans les réservoirs; si celui-ci n'est pas mélangé, il risque de former un unique bloc de glace. Si l'on fait repartir les mélangeurs dans ces conditions (sans attendre que la glace fonde), ils pourraient s'endommager.

8 Le distributeur est équipé d'un joint magnétique pour la transmission du mouvement aux mélangeurs. Afin d'éviter que l'appareil ne soit endommagé en cas de blocage des mélangeurs à cause de blocs de glace ou autre à l'intérieur du réservoir, le joint magnétique interrompt automatiquement la transmission du mouvement.

Cette situation est reconnaissable car, en plus du blocage des mélangeurs, un bruit intermittent est émis par l'appareil. Il faut, dans ce cas, arrêter immédiatement le distributeur, vider le réservoir concerné et éliminer la cause du blocage.

9 Chaque distributeur de ce genre doit émettre de la chaleur. Cependant, si cette émission semble excessive, il faut contrôler qu'aucune source de chaleur ne se trouve près du distributeur et, en particulier, près des panneaux munis de grilles. S'assurer également que le passage du flux d'air ne soit pas empêché par la proximité de murs, boîtes ou autres. Laisser au moins 15 cm d'espace libre autour du distributeur. Dans tous les cas, quand le produit à l'intérieur des réservoirs, on peut être certains que tout fonctionne normalement et que la chaleur

émise ne crée pas de dommages.

5. 3 NETTOYAGE

1 Le nettoyage et le lavage sont fondamentaux pour garantir la parfaite conservation du goût de la boisson et l'efficacité maximale de votre distributeur. Les procédures décrites ci-après doivent être considérées comme étant de caractère général et elles peuvent varier en fonction de la réglementation sanitaire en vigueur.

2 Avant d'être démonté pour le lavage, le distributeur doit être vidé du produit. Procéder de la manière suivante:

- placer l'interrupteur général en position I
- placer les interrupteurs mélangeurs/réfrigération en position I
- positionner un récipient sous chaque robinet et vider les réservoirs
- placer tous les interrupteurs en position 0



IMPORTANT

Nettoyage, lavage et désinfection, comme décrit dans les chapitres suivants, doivent être effectués quotidiennement.

5. 3. 1 DEMONTAGE

Avant de procéder au démontage d'un composant, il faut toujours débrancher électriquement l'appareil en enlevant la fiche de la prise ou en éteignant l'interrupteur externe mural.

1 Enlever le couvercle du réservoir.

2 Démontez le réservoir en poussant légèrement sa partie inférieure (côté robinet) vers le haut pour en libérer les crochets inférieurs (voir figure 7) et en le faisant ensuite glisser par l'avant (voir figure 8).

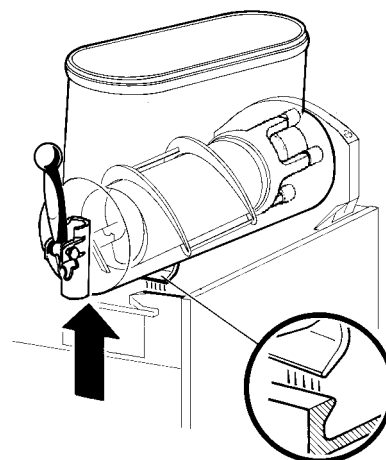


figure 7

figure 11).

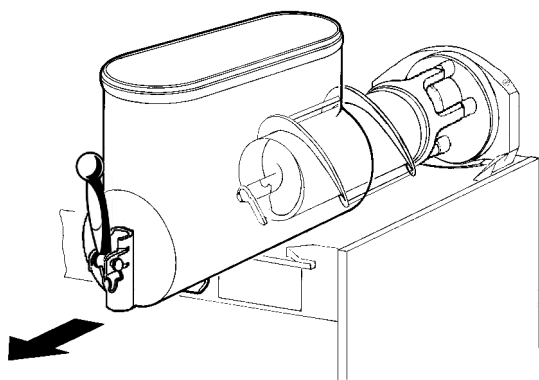


figure 8

3 Enlever de l'évaporateur la spirale extérieure (voir figure 9) puis l'hélice intérieure (voir figure 10).

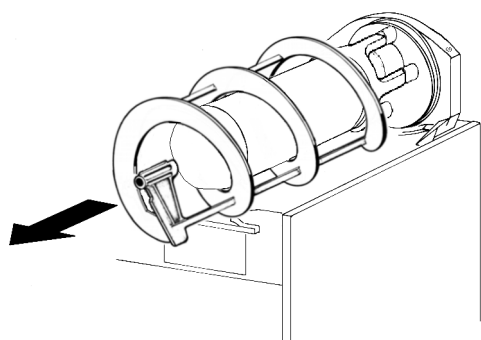


figure 9

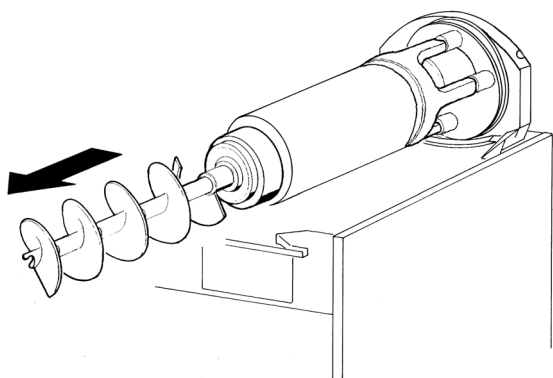


figure 10

4 Enlever le joint d'étanchéité du réservoir de son siège (voir

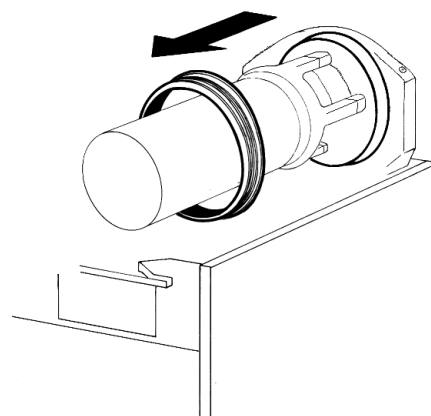


figure 11

5 Enlevez le groupe robinet en désenfilant le pivot et en tirant vers le haut le levier (voir figure 12).

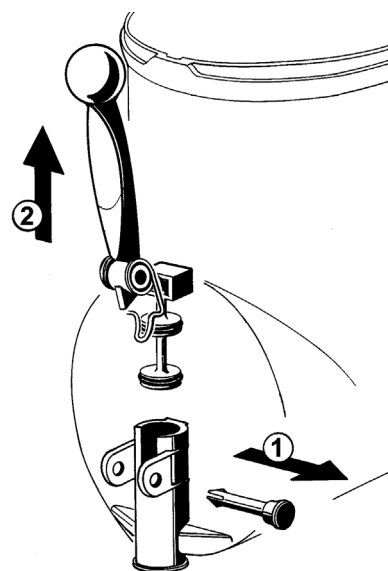


figure 12

6 Enlever le tiroir égouttoir et le vider.

5. 3. 2 LAVAGE



IMPORTANT

Aucun composant de l'appareil ne peut être lavé dans la lave-vaisselle.



ATTENTION

Avant toute intervention de nettoyage, débrancher toujours électriquement le distributeur en retirant la fiche de la prise ou en éteignant l'interrupteur externe mural.

1 Préparer une bassine d'environ huit litres d'eau chaude (45-

60°C) et de détergent spécifique en respectant soigneusement les indications fournies par le fabricant; une solution trop concentrée peut en effet endommager les pièces à laver tandis que trop diluée elle risque de ne pas les nettoyer suffisamment bien. Ne pas utiliser de détergents abrasifs.



IMPORTANT

Afin d'éviter d'endommager le distributeur utiliser uniquement un détergent compatible avec les pièces en plastique.

2 Utiliser une brosse adéquate et laver soigneusement avec la solution détergente toutes les pièces qui sont en contact avec la boisson.



ATTENTION

Pendant le lavage du distributeur, il ne faut pas utiliser une quantité excessive d'eau en proximité des composants électriques; cela pourrait en effet entraîner des risques d'électrocution et d'endommagement du distributeur.

3 Ne pas immerger dans la solution de lavage les couvercles avec éclairage mais les laver séparément. Faire attention au lavage de leur partie inférieure.

4 Rincer toutes les pièces lavées à l'eau courante.

5. 3. 3 DESINFECTION DU DISTRIBUTEUR DEMONTE

La désinfection doit être exécutée immédiatement avant de mettre le distributeur en fonction. Il faut éviter que celui-ci ne fonctionne pas, pour une longue période après avoir été désinfecté.

La désinfection doit être effectuée chaque fois que le distributeur est remis en service avec un nouveau produit.

1 Avant de débiter les procédures décrites ci-après, se laver les mains avec un savon antibactérien.

2 Préparer dans une bassine environ huit litres de solution d'eau chaude (45-60°C) et de produit désinfectant, approuvé par les autorités de votre Pays, en respectant les indications du producteur. En l'absence d'un produit désinfectant spécifique, préparer une solution d'eau et d'hypochlorite de sodium (eau de javel) avec une proportion d'une cuillère tous les 2 litres d'eau.

3 Immerger toutes les pièces à désinfecter dans la solution pour la durée indiquée par le fabricant du produit.

4 Ne pas immerger les couvercles avec éclairage dans la solution. Laver soigneusement leur partie inférieure avec la solution désinfectante.

5 Laisser sécher à l'air, sur une surface propre, les pièces désinfectées.

6 Essuyer les parties externes du distributeur sans utiliser de chiffons abrasifs.

5. 3. 4 REMONTAGE

1 - Introduire le tiroir égouttoir à sa place.

1 Lubrifier le piston du robinet, le raclor intérieur et le raclor extérieur (aux points A, B et C indiqués en figure 13) en utilisant uniquement la graisse fournie par le fabricant ou

d'autres graisses à usage alimentaire.

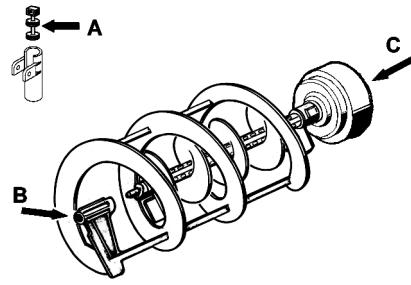


figure 13

2 Remonter le robinet sur le réservoir en suivant la séquence effectuée pour le démontage en sens inverse (voir figure 12).

3 Remonter le joint d'étanchéité du réservoir dans son siège. Remarque: Le bord ayant le diamètre le plus large doit être appuyé contre la paroi postérieure (voir figure 14).

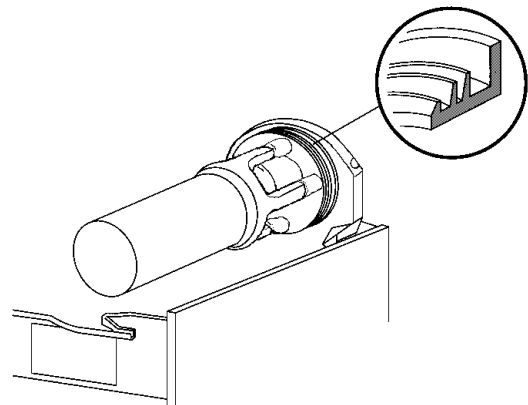


figure 14

4 Introduire l'hélice intérieure dans l'évaporateur en veillant à l'accompagner jusqu'au fond mais en évitant qu'elle heurte la paroi postérieure (voir figure 15).

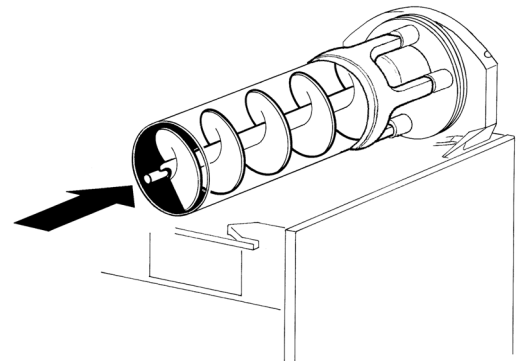


figure 15

5 Enfiler la spirale extérieure sur l'évaporateur en accouplant son extrémité antérieure à l'arbre de l'hélice intérieure et en faisant coïncider ses dents avec les dents d'entraînement (voir

figure 16).

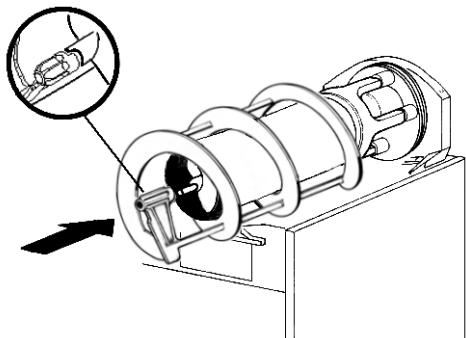


figure 16

6 Monter le réservoir et le pousser vers la paroi postérieure, en s'assurant qu'il s'adapte parfaitement au joint et que, en même temps, ses crochets inférieurs soient engagés dans les saillies prévues à cet effet sur le plan égouttoir (voir figure 17).

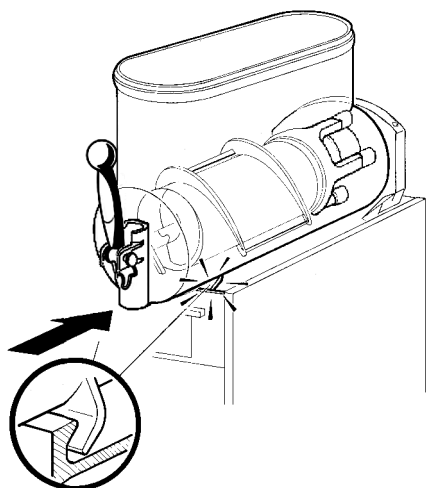


figure 17

7 Rincer avec de l'eau fraîche de manière à éliminer tout résidu de solution désinfectante du fond des réservoirs. Essuyer l'intérieur des réservoirs avec une serviette en papier jetable.

5. 4 DESINFECTION DU DISTRIBUTEUR MONTE

La désinfection de l'appareil monté, avant sa mise en fonction, peut être exécutée, si nécessaire, uniquement comme précaution supplémentaire, en plus de la désinfection de l'appareil démonté décrite précédemment. Elle ne peut jamais la remplacer.

- 1** Préparer dans une bassine une solution d'eau et de produit désinfectant, approuvé par les autorités de votre Pays, en respectant les indications du producteur. En l'absence d'un produit désinfectant spécifique, préparer une solution d'eau et d'hypochlorite de sodium (eau de javel) avec une proportion d'une cuillère tous les 2 litres d'eau.
- 2** Verser la solution dans les réservoirs.
- 3** A l'aide d'une brosse adéquate, frotter la solution sur toutes les parties au-dessus du niveau de la solution et sur la partie inférieure du couvercle.
- 4** Installer le couvercle et faire fonctionner le distributeur de manière à permettre à la solution d'être agitée pendant environ 2 minutes.
- 5** Vider la solution désinfectante des réservoirs par les robinets.
- 6** Rincer avec de l'eau fraîche de manière à éliminer tout

résidu de solution désinfectante du fond des réservoirs. Essuyer l'intérieur des réservoirs avec une serviette en papier jetable.

7 Ne pas procéder à d'autres opérations de rinçage.

6 ENTRETIEN

1 Quotidiennement: contrôler le distributeur et vérifier qu'il n'y a pas de fuites de produit au niveau des joints. En cas de fuites, contrôler avant tout que le distributeur est monté correctement, puis vérifier que les joints n'ont pas besoin d'être lubrifiés et enfin qu'ils ne sont pas défectueux ou usés. Si c'est le cas, les remplacer par des pièces de rechange originales du fabricant.



ATTENTION

Avant toute intervention de nettoyage, débrancher toujours électriquement le distributeur en retirant la fiche de la prise ou en éteignant l'interrupteur externe mural.

2 Mensuellement: éliminer la poussière qui s'accumule sur le filtre du condenseur. Un filtre obstrué réduira la performance de la machine et pourra endommager le compresseur. Démonter ensuite uniquement le panneau gauche (du côté robinet) en dévissant à la main les vis de fixation recouvertes de plastique.

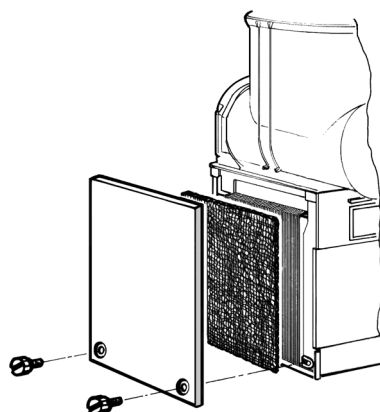


figure 18



ATTENTION

Faire attention aux ailettes du condenseur car elles sont affilées.

3 Remplacement des ampoules du couvercle: dévissez la vis placée sur la partie supérieure du couvercle et enlevez le support des douilles. Substituez les ampoules et remontez le

support.(voir figure 19)

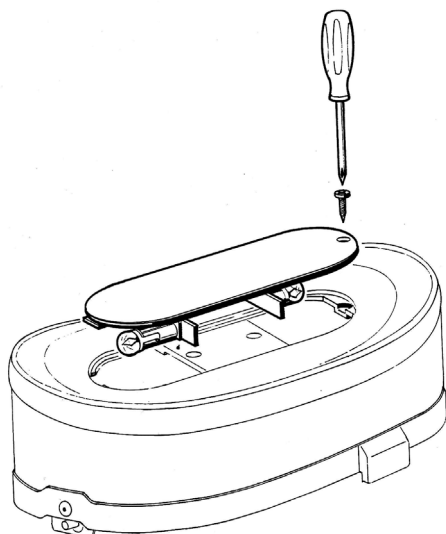


figure 19

6. 1 ENTRETIEN (A EFFECTUER UNIQUEMENT PAR LE SERVICE D'ASSISTANCE)

- 1 Tous les ans: il est conseillé d'enlever tous les panneaux et de nettoyer l'intérieur y compris la base et la partie interne des panneaux.
- 2 Tous les ans: Contrôler si les douilles sur lesquelles les racloirs tournent sont détériorés, ou ovalisés . Dans ce cas-ci, il faut les remplacer.
- 3 Quand les filtres de protection (contre la pénétration de liquides), situés à l'intérieur des panneaux munis de grille, sont installés, ils ne doivent pas être enlevés.
- 4 Ne jamais enlever le matériau anticondensation placé autour du tuyau de sortie de l'évaporateur (le tuyau en cuivre placé à droite du motoréducteur). Si ce matériau manque ou est perdu, il faut le remplacer avec des pièces de rechange originales du fabricant.
- 5 Afin d'éviter d'endommager le distributeur, les pièces en plastique doivent être lubrifiées uniquement avec de la graisse fournie par le fabricant ou avec d'autres graisses compatibles avec le polycarbonate.

7 MINUTEUR DE DECONGELATION (OPTION)

Le minuteur de décongélation situé du côté droit de l'appareil, commute automatiquement le distributeur du mode Granité en mode Soda, et vice versa. Cela signifie que, pendant les périodes de décongélation, du granité gelé fond à la température de réglage du thermostat. Ensuite, lorsque la période de décongélation est arrivée à expiration, le produit gèle de nouveau automatiquement à la valeur de réglage de

viscosité du granité.

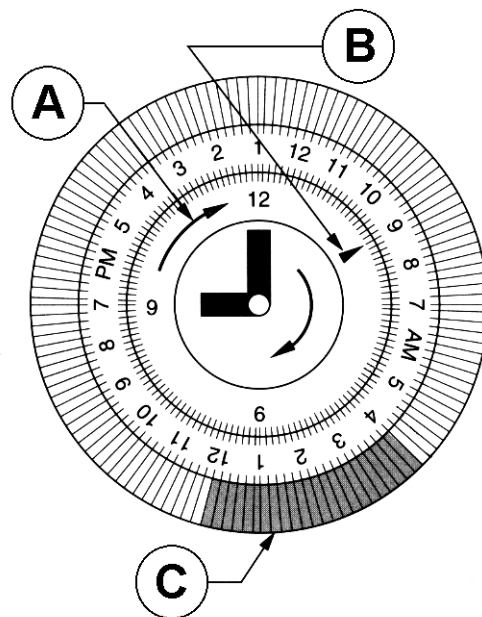


figure 20

Pour utiliser le minuteur de décongélation, il faut procéder de la manière suivante. (voir figure 20)

- 1 Régler l'heure en tournant le cadran dans le sens horaire (flèche A). Ne jamais tourner le minuteur dans le sens anti-horaire car cela risque d'endommager le mécanisme interne. Aligner l'heure actuelle sur la façade du minuteur à l'aide de la flèche B. Il s'agit d'un minuteur qui indique les heures sous le format AM/PM, soit avant midi/après midi.
 - 2 Programmer le minuteur de décongélation en poussant vers l'extérieur les languettes C qui correspondent aux heures désirées de décongélation. Chaque languette représente 15 minutes. Quatre à huit heures sont nécessaires au minimum pour décongeler des boissons gelées (en fonction des conditions ambiantes).
- Remarque :** lorsque toutes les languettes sont rentrées, la fonction « décongélation » est désactivée (la machine fonctionne comme si elle n'était pas équipée d'un minuteur de décongélation).

1 CARACTERISTICAS TECNICAS

		GIANT 2	GIANT 2
Contenedores transparentes desmontables	n	2	2
Capacidad de cada contenedor, aproximada	l	15	15
Dimensiones:			
ancho	cm	46	46
largo	cm	53	53
alto	cm	82	82
Peso neto, aproximado	kg	49	61
Peso bruto, aproximado	kg	53	66
Termostatos regulables	n	2	2
Motocompresor hermético	n	1	2
Condensador a ventilación forzada			
Guardamotor			
Nivel de ruido inferior a 70dB (A)			



IMPORTANTE

Características eléctricas: leer los datos detallados en la placa del distribuidor; ésta se encuentra en la parte inferior del panel frontal, detrás del cajón recoge-gotas de la derecha. Los números de matrícula de los aparatos (precedidos por el símbolo#) están colocados dentro del alojamiento portainterruptores de izquierda. Los datos detallados sobre la placa son aquellos a los que se debe siempre hacer referencia.

El diagrama eléctrico del distribuidor se encuentra dentro del panel lado grifo.

Se reserva el derecho de efectuar modificaciones sin previo aviso.

2 INTRODUCCION

Les aconsejamos que lean atentamente este manual de instrucciones para conocer todas las características del distribuidor.

También este distribuidor, como todos los productos mecánicos, necesita de limpieza y cuidado. Se corre el riesgo de impedir su buen funcionamiento si se verificasen errores cometidos por el usuario durante la fase de desmontaje y limpieza. Por dicho motivo es importante que los procedimientos de desmontaje, lavado, higienización y limpieza, siendo operaciones cotidianas, sean conocidas sin posibilidad de error por todo el personal responsable del distribuidor.

3 INSTALACIÓN

1 Quitar el distribuidor del embalaje: guardar este último por

si hubiera cualquier eventualidad.



IMPORTANTE

En la operación de transporte o levantamiento no se debe coger nunca el distribuidor por sus contenedores transparentes o por los cilindros evaporadores. El fabricante no responde de los daños acarreados por estas maniobras equivocadas.

2 Controlar que el distribuidor no haya sufrido daños durante el transporte. De haberlos sufrido, reclamar inmediatamente al transportista.

3 Colocar el distribuidor en un mostrador en grado de sostener su peso incluso con la carga completa, **teniendo en cuenta cuanto indicado en IMPORTANTE, del punto 1.**

4 Dejar un espacio libre de por lo menos 15 cm alrededor del aparato para no impedir el flujo de aire de refrigeración.

5 Controlar la estabilidad del aparato, regulando la altura de los pies. En el caso en que el distribuidor esté provisto de una serie de pies altos (100 mm aproximadamente), ésta debe ser sustituida a la original.

6 Antes de enchufar el aparato con la toma de corriente controlar que la tensión de la red sea aquella indicada en la placa. Enchufar el distribuidor a una red monofásica, sirviéndose de una toma completa de tierra, según lo previsto por la normativa vigente. Si el distribuidor resulta desprovisto de enchufe, conectar al cable un enchufe que esté en conformidad con las normas vigentes de vuestro país, provisto de espiga o contactos de tierra y adecuado para corrientes de por lo menos 10A y tensión de 250V (para áreas con tensiones de 220V-230V, 50Hz-60Hz) y 20 A y tensión de 250V (para áreas con tensiones de 110V-115V 50-60Hz). En el supuesto de realizar una conexión fija a la red, conectar el cable a un interruptor de pared de tipo bipolar con apertura de contactos de 3 mm por lo menos. No utilizar cordones conectores para enchufar el aparato al suministro de corriente eléctrica.



ATENCION

Cerciorarse que el aparato esté correctamente conectado a tierra; en caso contrario es posible causar shock eléctricos a las personas o dañar el distribuidor.

7 El distribuidor no sale de fábrica prelavado e higienizado. Antes de utilizarlo debe ser desarmado, lavado e higienizado siguiendo cuanto se ha dicho en las presentes instrucciones del capítulo 5.3 LIMPIEZA.

4 PARA UN FUNCIONAMIENTO SEGURO

1 **No** utilizar el distribuidor antes de haber leído el presente manual de instrucciones.

2 **No** utilizar el distribuidor si no está correctamente conectado a tierra.

3 **No** utilizar cordones conectores para enchufar el distribuidor al suministro de corriente.

4 **No** poner en funcionamiento el distribuidor si los paneles no se encuentran en su lugar y fijados con los tornillos.

5 **No** impedir el flujo de aire de refrigeración, dejar un espacio libre de por lo menos 15 cm alrededor del distribuidor.

6 **No** introducir los dedos u objetos en las ranuras de los paneles y en la apertura del grifo.

7 **No** desmontar el contenedor, no quitar los mezcladores o paneles para limpieza o manutención sin cerciorarse que el distribuidor esté desenchufado del suministro de corriente.

8 **No** vierta productos alimenticios dentro del dispensador a una temperatura superior a 40°C.

5 INSTRUCCIONES DE EMPLEO



ATENCIÓN

Si el cable de alimentación está dañado, debe ser sustituido por el fabricante o desde su servicio de asistencia técnica o, en cualquier caso, por una persona cualificada con el fin de evitar cualquier tipo de riesgo.

1 Lavar e higienizar el distribuidor antes de utilizarlo siguiendo cuanto se ha dicho en las presentes instrucciones en el capítulo 5.3 LIMPIEZA.

2 Llenar los contenedores con el producto deseado hasta que alcance el nivel máximo indicado (no superar dicho nivel). La cantidad de producto presente en el contenedor (en litros o en galones) está indicada con señales específicas situadas en el contenedor mismo.

3 Si se quiere distribuir productos concentrados a diluirse con agua, verter en los contenedores el agua agregando a continuación la cantidad necesaria de producto concentrado, según las instrucciones del fabricante. Si se quieren emplear zumos naturales se recomienda filtrarlos para evitar que las partes sólidas puedan obstruir el pasaje del grifo.

4 Para obtener los mejores resultados emplear como productos base, jarabes expresamente preparados para Granizado.

Si se desea obtener una bebida en vez de un granizado, cada litro de jarabe debe ser diluido con 5-5,5 litros de agua (1 litro más respecto del necesario para el granizado).

Es una buena regla seguir las instrucciones dictadas por el fabricante de jarabes.

Si se usan productos naturales (por ejemplo zumo de limón o naranja) o bien bebidas no azucaradas (por ejemplo café), disolver 150-200 gramos de azúcar por cada litro de producto.



IMPORTANTE

Utilizar el distribuidor solamente con productos alimenticios.



IMPORTANTE

En todo caso, una vez obtenida la mezcla, su grado de Brix (porcentaje de azúcar) debe ser superior a 13.

5 Montar las tapas sobre los contenedores cerciorándose que queden bien colocadas y que se establezca una correcta conexión eléctrica entre el contenedor y la tapa.



IMPORTANTE

Solamente para los modelos LS: cuando las tapas no están en su lugar la máquina no puede funcionar, los mezcladores no giran y el frigorífico está apagado.

6 Accionar los interruptores (ver capítulo 5.1 DESCRIPCIÓN DE LOS MANDOS).

7 El distribuidor debe funcionar siempre con las tapas montadas para prevenir una posible contaminación del producto.

8 El distribuidor debe funcionar ininterrumpidamente: el sistema de refrigeración de cada contenedor se parará automáticamente cuando el producto esté listo para ser distribuido. Los dispositivos mezcladores seguirán funcionando.

9 Para extraer la tapa, presione cualquiera de las dos teclas de desbloqueo y levántela. (ver figura 1)

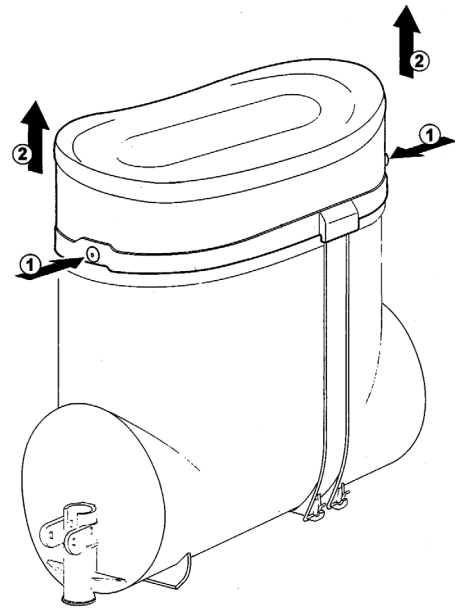


figura 1

10 Es posible impedir la remoción de la tapa girando los selectores situados en la parte inferior.(ver figura 2)

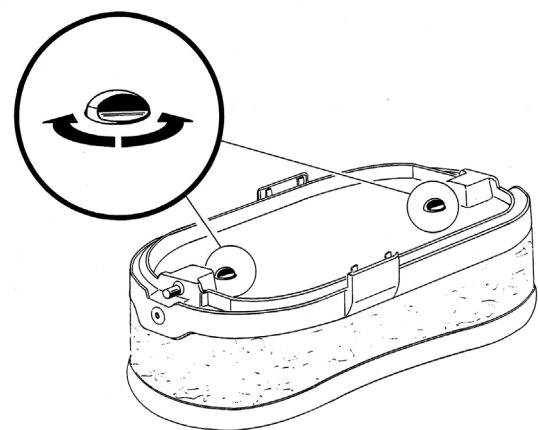


figura 2

11 Para extraer la tapa, si está bloqueada es necesario introducir un objeto puntiagudo en el orificio situado en el centro de la tecla de desbloqueo; a continuación, presione y

extraiga la tapa. (ver figura 3)

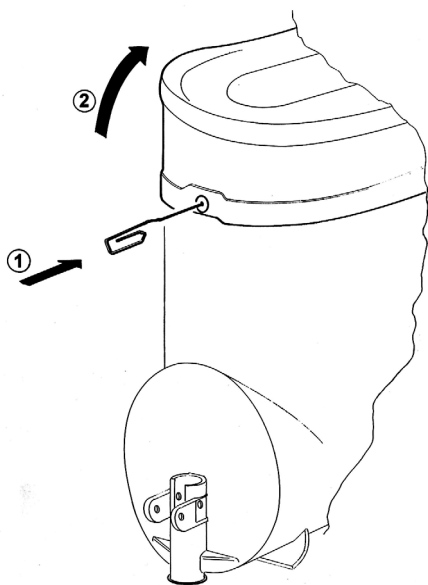


figura 3

12 Si usa el dispensador con productos a base de leche, nunca lo apague. Cuando no esté en uso, active la función de almacenamiento.

5. 1 DESCRIPCION DE LOS MANDOS

El dispensador está provisto de un interruptor general y de un interruptor para la luz. Cada uno de los contenedores está provisto de un interruptor para arrancar la mezcla y para seleccionar el tipo de refrigeración del producto. En efecto, es posible obtener tanto bebidas frías como productos helados como granizados o sorbetes.

Cuando se selecciona la función bebida, la temperatura de dicha bebida está regulada por el correspondiente termostato. Cuando se selecciona la función granizado la densidad del producto se regula con el correspondiente tornillo de ajuste que se encuentra en cada una de las paredes posteriores del dispensador (para regular la temperatura y la densidad ver el capítulo 5.2 SUGERENCIAS).

Todos los interruptores están colocados en la parte frontal del dispensador (lado grifos) y están protegidos con una ventanilla apropiada (ver figura 4).

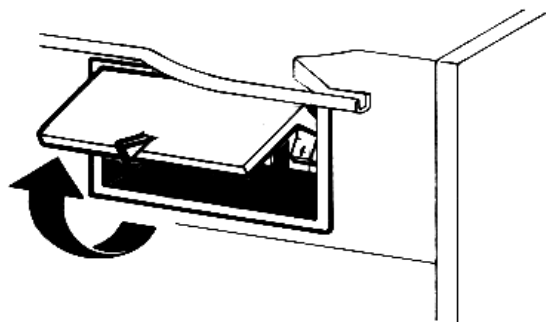


figura 4

Todos los modelos están provistos de un limitador de presión de seguridad que sirve para prevenir posibles daños al motorcompresor. El encendido de la lamparilla colocada a la izquierda de las tapas cubreinterruptores indica un flujo de aire de refrigeración insuficiente. En dicho caso verificar que alrededor del aparato haya suficiente espacio para una adecuada ventilación (por lo menos 15 cm por cada lado) y que el filtro del condensador esté limpio.

Si la lamparilla permaneciera encendida también después de dichas verificaciones es conveniente contactar el servicio de postventa.

Las funciones de los mandos del dispensador se ilustran a continuación:

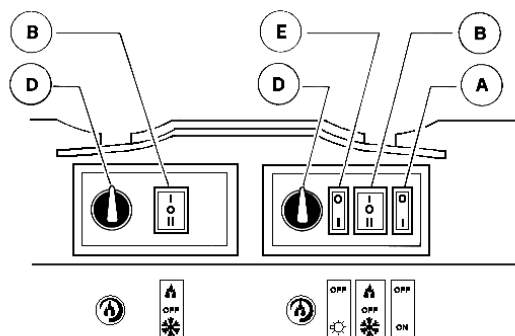


figura 5

Interruptor general (A)

Posición 0 : el dispensador está apagado.

Posición I : el dispensador está habilitado para el funcionamiento. Ventilador en función.

Interruptor luces (E)

Posición 0 : luces tapa apagadas.

Posición I : luces tapa encendidas.

Interruptor mezcladores y refrigeración (B)

Posición I : mezcladores y refrigeración en función. Posición BEBIDA.

Posición 0 : mezcladores y refrigeración apagados.

Posición II : mezcladores y refrigeración en función. Posición GRANIZADO.

Termostato (D)

Rotación en sentido horario : bebida más fría

Rotación en sentido antihorario : bebida menos fría

Para el funcionamiento del dispensador:

- 1 Colocar el interruptor general en la posición I.
- 2 Ajustar los interruptores mezcladores y refrigeración:
 - en la posición I si se quiere refrigerar el producto sin helarlo
 - en la posición II si se quiere obtener el granizado.
- 3 Poner el interruptor luces en la posición I para encender las luces.

5. 2 SUGERENCIAS

1 Regulación de la densidad: la densidad óptima del granizado ha sido ya ajustada en fábrica. Si se quiere variar dicha densidad girar con un destornillador el correspondiente tornillo de ajuste situado en cada una de las paredes posteriores del dispensador (ver figura 6):

- hacia derecha (sentido horario) para obtener un granizado más denso (el índice F en la ventanilla G se desplazará hacia abajo).
- hacia izquierda (sentido antihorario) para obtener un granizado menos denso (el índice F en la ventanilla G se desplazará hacia arriba).

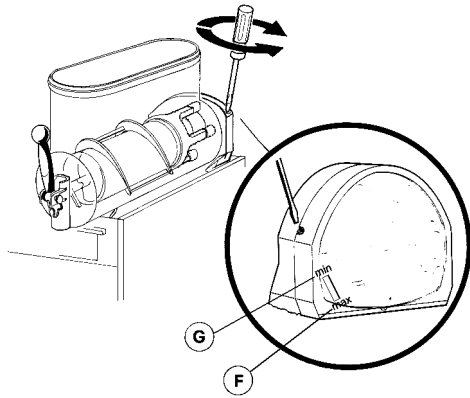


figura 6

2 Regulación de la temperatura: la temperatura óptima de las bebidas (para el funcionamiento del distribuidor como refrigerador de bebidas y no como granizador) ha sido regulada en la fábrica. Si se quiere variar su valor, girar el pomo colocado en cada una de los paneles portainterruptores:

- hacia derecha (sentido horario) para obtener una bebida más fría.
- hacia izquierda (sentido antihorario) para obtener una bebida menos fría.

NOTA : la regulación de la temperatura de la bebida se hace efectiva solamente cuando el interruptor mezcladores y refrigeración correspondiente se encuentra en la posición Bebida.

3 El tiempo necesario para obtener la refrigeración del producto varía en función de distintos factores como por ejemplo la temperatura ambiente, la temperatura inicial del producto, su contenido de azúcar (grado Brix) y la regulación de la densidad.

4 Llenando los contenedores con producto ya enfriado previamente se aumenta ulteriormente la eficiencia del distribuidor.

5 Para disminuir los tiempos de restablecimiento y, por lo tanto, aumentar la autonomía del distribuidor, volver a llenar cuando el nivel del producto desciende a mitad evaporador.

6 Para conseguir una buena conservación del producto, el distribuidor debe funcionar también durante la noche, por lo menos en la posición Bebida. Si esto no fuera posible y los productos permanecieran en los contenedores con el distribuidor parado es conveniente, una hora antes de apagar el aparato, llevar los interruptores mezcladores y refrigeración en la posición I; ésto evita la formación de bloques o crostas de hielo que podrían dañar los dispositivos mezcladores. En el caso en que se formasen dichos bloques de hielo, estos deberían ser quitados antes de volver a poner en función el distribuidor. El funcionamiento nocturno en la posición Bebida elimina además la posible formación de hielo (debido a la condensación de la humedad atmosférica) en el exterior de los contenedores.

7 No parar jamás los mezcladores cuando hay granizado en los contenedores; si no se mezcla, dicho granizado puede agregarse y formar un único bloque de hielo. Volviendo a arrancar los mezcladores en estas condiciones (sin esperar que el hielo se derrita) pueden dañarse.

8 El distribuidor está provisto de una junta magnética para la transmisión del movimiento a los mezcladores. Para prevenir daños al aparato, en caso de bloqueo de los mezcladores debido a bloques de hielo u otro dentro de los contenedores, la junta magnética se encarga de desconectar automáticamente la transmisión del movimiento.

Dicha situación puede ser identificada tanto por el bloqueo de los mezcladores como por un ruido intermitente que proviene del aparato. En este caso es necesario parar inmediatamente el distribuidor, vaciar el contenedor interesado y eliminar la causa del bloqueo.

9 Todo distribuidor de este tipo debe despedir calor. Si el calor producido fuera excesivo, controlar que ninguna fuente de calor se encuentre cerca del distribuidor y, en modo particular, cerca de las rejillas de los paneles. Cerciorarse además, que el flujo de aire no esté obstaculizado por paredes cercanas, cajas u otras cosas. Dejar por lo menos 15 cm de espacio libre alrededor del distribuidor. En todo caso cuando el producto dentro de los contenedores está helado es seguro que todo funciona regularmente y que el calor emitido no es dañoso.

5. 3 LIMPIEZA

1 La limpieza y el lavado son fundamentales para garantizar la perfecta conservación del gusto de la bebida y la máxima eficiencia de vuestro distribuidor. Los procedimientos descritos a continuación deben ser considerados de carácter general y pueden variar por efecto de la reglamentación de higiene vigente.

2 Antes del desarmado para el lavado del distribuidor debe quitarse todo el producto. Proceder como sigue:

- poner el interruptor general en la posición I;
- poner los interruptores mezcladores/refrigeración en la posición I;
- posicionar un recipiente debajo del grifo y vaciar los contenedores;
- poner todos los interruptores en la posición 0.



IMPORTANTE

La limpieza, el lavado y la desinfección, tal como se describe en los siguientes capítulos, se deben realizar a diario.

5. 3. 1 DESMONTAJE



ATENCIÓN

Antes de proceder con el desmontaje de cualquier componente, desenchufar de la toma de corriente eléctrica el enchufe del aparato o bien apagar el interruptor externo de pared.

1 Quitar la tapa del contenedor.

2 Desmontar el contenedor empujando ligeramente la parte inferior (lado grifo) hacia arriba para dejar libres los ganchos inferiores (ver figura 7) y luego quitarlo por adelante (ver figura

8).

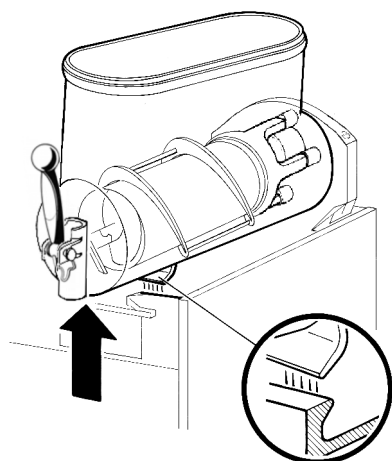


figura 7

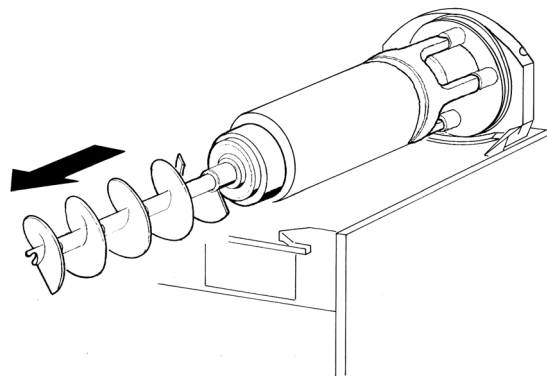


figura 10

4 Quitar de su alojamiento la junta del contenedor (ver figura 11).

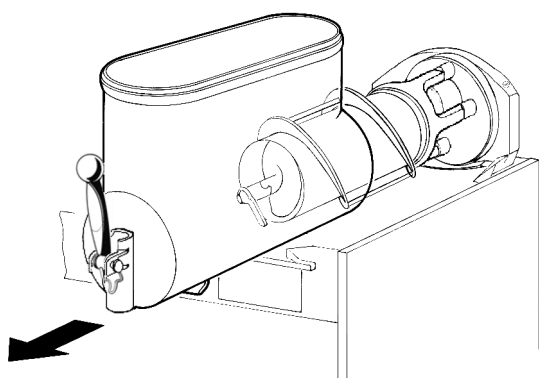


figura 8

3 Desenfiar del evaporador el rascador exterior (ver figura 9) y después el rascador interior (ver figura 10).

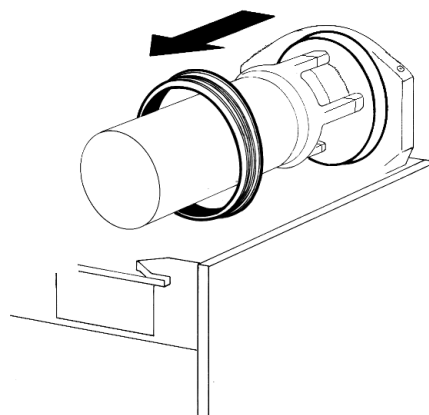


figura 11

5 Extraiga el grifo desatornillando el perno de bloqueo y

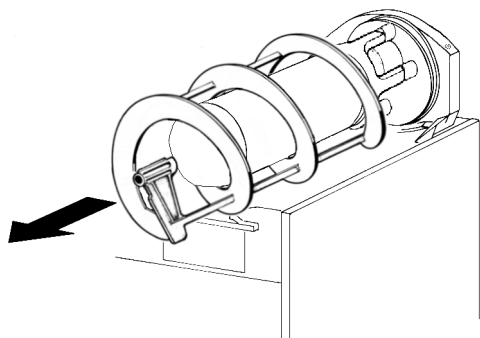


figura 9

tirando la palanca hacia arriba. (ver figura 12).

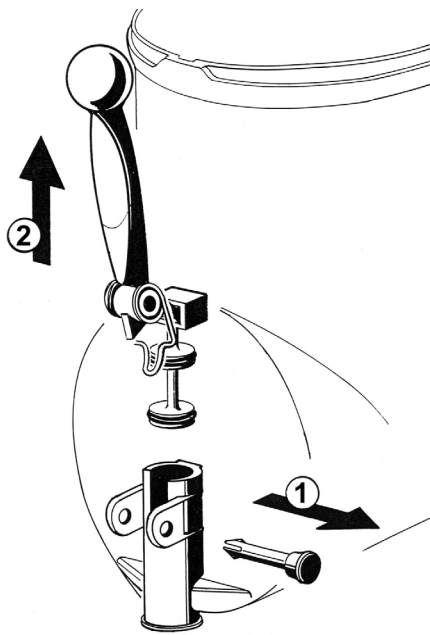


figura 12

6 Desenfilarse el cajón recoge-gotas y vaciarlo.

5. 3. 2 LAVADO



ATENCIÓN

Antes de efectuar cualquier tipo de limpieza, **desenchufar de la toma de corriente eléctrica el enchufe del aparato o bien apagar el interruptor externo de pared.**



IMPORTANTE

No lavar ningún componente de la máquina en lavavajillas.

1 Poner en una palangana aproximadamente ocho litros de agua caliente (45°-60°C) y detergente respetando con atención las instrucciones del fabricante; una solución demasiado concentrada del detergente puede provocar daños en las partes a lavar, en vez una solución demasiado diluida puede no limpiar bastante. No utilizar detergentes abrasivos.



IMPORTANTE

Para prevenir daños al distribuidor utilizar solamente un detergente compatible con las partes de plástico.

2 Emplear un cepillo apropiado y lavar minuciosamente con la solución detergente todas las partes en contacto con la

bebida.



ATENCIÓN

Durante el lavado del distribuidor no usar mucha cantidad de agua cerca de los componentes eléctricos; en caso contrario es posible que se verifiquen shock eléctricos o bien se dañe el distribuidor.

3 No sumergir en la solución de lavado las tapas con luz sino que lavarlas en modo separado. Prestar mucha atención a sus lavados en la parte inferior.

4 Lavar los cilindros evaporadores empleando un cepillo con cerdas suaves.

5 Enjuagar todas las partes con agua corriente.

5. 3. 3 HIGIENIZACION DEL DISTRIBUIDOR DESMONTADO

La higienización debe efectuarse inmediatamente antes de poner en función el distribuidor; evitar que este permanezca inactivo por mucho tiempo después de haber sido higienizado.

La desinfección debe realizarse cada vez que el distribuidor vuelva a funcionar con un nuevo producto.

1 Antes de iniciar los procedimientos descritos a continuación lavarse las manos con un jabón antibacteriano.

2 Poner en una palangana aproximadamente ocho litros de solución de agua caliente (45-60°C) con un producto para higienizar aprobado por las autoridades de vuestro país respetando las especificaciones del fabricante. Si se carece de un producto para higienizar específico, preparar una solución de agua e hipoclorito de sodio (lejía uso alimenticio) en la proporción de 1 cucharadita por cada 2 litros de agua.

3 Colocar en la solución todas las partes a higienizar dejándolas el tiempo que ha sido indicado por el fabricante del producto.

4 No sumergir en la solución las tapas con la luz. Lavar muy minuciosamente la parte inferior con la solución para higienizar.

5 Dejar secar las partes higienizadas, sobre una superficie limpia al aire libre.

6 Secar las partes externas del distribuidor sin usar paños abrasivos.

5. 3. 4 REMONTAJE

1 Colocar el cajón recoge-gotas en su alojamiento.

2 Lubricar el pistón grifo, el rascador interior (en los puntos A, B y C indicados en la (ver figura 13) utilizando solamente la grasa suministrada por el fabricante u otro grasa para uso

alimenticio.

(ver figura 15).

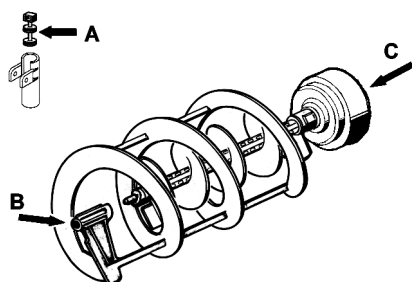


figura 13

3 Armar de nuevo el grifo sobre el contenedor siguiendo la secuencia inversa a la detallada para el desmontaje (vedere figura 12).

4 Volver a montar en su alojamiento la junta del contenedor.
NOTA: El borde de mayor diámetro debe ser apoyado en la pared posterior (ver figura 14).

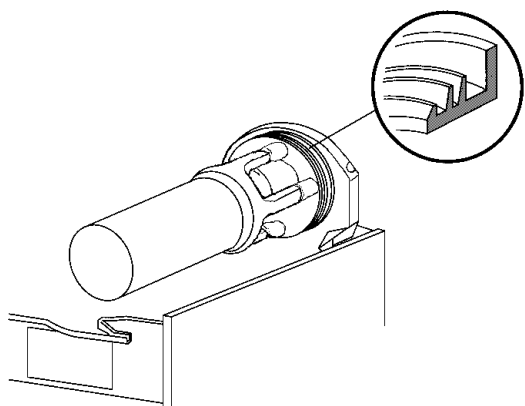


figura 14

5 Enfilarse el raspador interior en el evaporador, acompañándolo con cuidado, evitando tocar la pared posterior

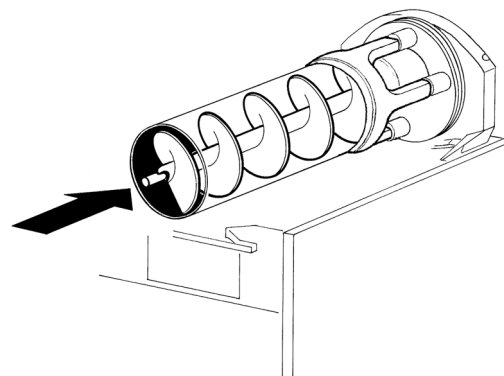


figura 15

6 Colocar sobre el evaporador el raspador exterior, acoplándolo a su extremidad anterior al árbol del raspador interior y haciendo coincidir los dientes de arrastre (ver figura 16).

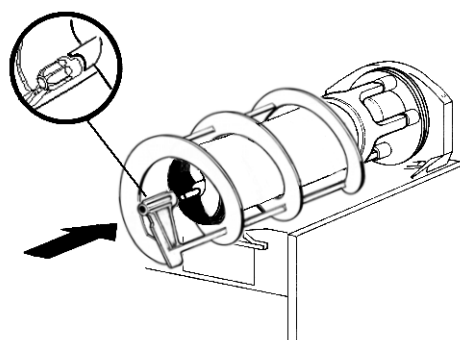


figura 16

7 Montar el contenedor y empujarlo hacia la pared posterior, controlando que calce completamente en la junta y, al mismo tiempo, que sus ganchos inferiores coincidan con las

correspondientes salientes del plano de goteo (ver figura 17).

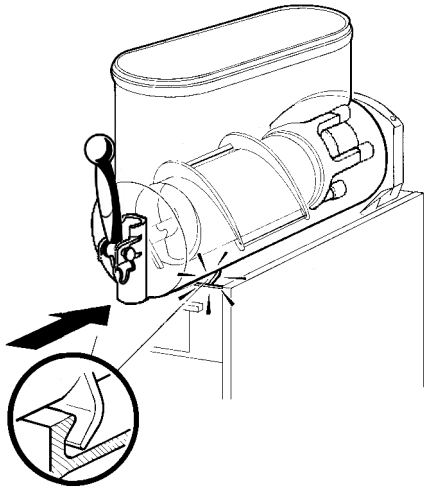


figura 17

8 Enjuagar con bebida fresca para eliminar todo residuo posible de solución para higienizar del fondo de los contenedores. Secar la parte interior de los contenedores con una servilleta de papel desechable.

5. 4 HIGIENIZACION DEL DISTRIBUIDOR MONTADO

La higienización del aparato montado, antes de ser puesto en funcionamiento, puede ser efectuada, si es necesario, solamente como una ulterior prevención adicional a la higienización del aparato desmontado descrito anteriormente, pero no debe sustituir jamás a la efectuada con el aparato desmontado.

- 1** Poner en una palangana una solución de agua u producto para higienizar aprobado por las autoridades de vuestro país, respetando las especificaciones del fabricante. Si se carece de un producto para higienizar específico, preparar una solución de agua e hipoclorito de sodio (lejía uso alimenticio) en la proporción de 1 cucharadita por cada 2 litros de agua.
- 2** Verter la solución en los contenedores.
- 3** Usando un cepillo apropiado fregar con la solución todas las partes sobre el nivel de la solución y sobre la parte inferior de la tapa.
- 4** Colocar la tapa y poner en función el distribuidor de modo que permita a la solución agitarse 2 minutos.
- 5** Vaciar los contenedores de la solución para higienizar por medio de los grifos.
- 6** Enjuagar con bebida fresca para eliminar del fondo de los contenedores todo residuo posible de solución para higienizar. Secar la parte interior de los contenedores con una servilleta de papel desechable.
- 7** No efectuar más operaciones de enjuague.

6 MANUTENCION

1 Cada día: controlar el distribuidor y que no se verifiquen pérdidas de producto de las juntas. Si se notasen pérdidas, controlar, antes de todo, que el distribuidor esté montado correctamente, luego que las juntas no necesiten lubricación y, por último, que dichas juntas no sean defectuosas o estén gastadas, si es así reemplazarlas con recambios originales del

fabricante.



ATENCION

Antes de efectuar cualquier tipo de limpieza, desenchufar de la toma de corriente eléctrica el enchufe del aparato o bien apagar el interruptor externo de pared.

2 Cada mes: eliminar el polvo que se acumula sobre el filtro del condensador. Un filtro obstruido reducirá las prestaciones y podrá causar daños al compresor. Desmontar solamente el panel izquierdo (lado grifo) desenroscando a mano los tornillos de fijación cubiertos de plástico (ver figura 18).

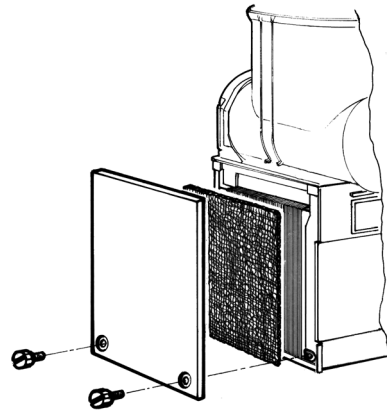


figura 18

3 Sustitución de las bombillas de la tapa luminosa: desatornille el tornillo situado en la parte superior de la tapa y extraiga la puerta portalámparas. Sustituya las bombillas y

vuelva a montar la puerta. (ver figura 19)

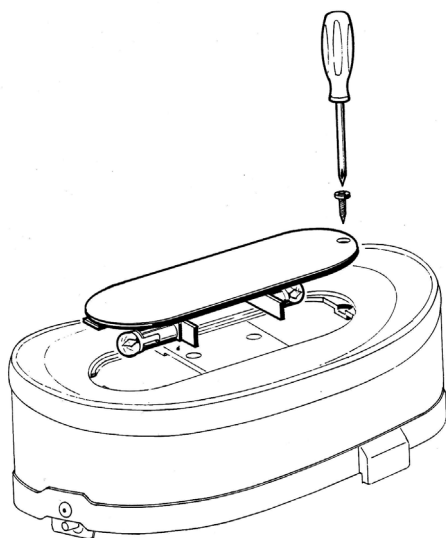


figura 19



ATENCIÓN

Prestar atención a las aletas del condensador porque tienen filo.

6. 1 MANUTENCION (SOLAMENTE POR EL SERVICIO POSTVENTA)

- 1 Cada año:** es aconsejable quitar todos los paneles y limpiar la zona interior, incluso la base y el interior de los paneles.
- 2 Cada año:** Controlar que los bujes para los rascadores no se hayan consumido o deformado. Si hubiera sucedido, deberán ser sustituidos.
- 3** No eliminar, siempre que estén instalados, los filtros de protección (contra la penetración de líquidos) dentro de los paneles con rejillas.
- 4** No quitar jamás el material aislante contra la condensación puesto alrededor del tubo de salida del evaporador (el tubo de cobre colocado a la derecha del motoreductor). Si dicho material estuviera dañado o perdido, reponer con recambios originales del fabricante.
- 5** Para prevenir daños al distribuidor las partes de plástico deben ser lubricadas solamente con la grasa suministrada por el fabricante u otra grasa compatible con policarbonato.

7 CONTADOR DE DESCONGELACION (OPCIONAL)

El contador de descongelación, que está situado a la derecha del aparato, automáticamente cambia el dispensador de la función del Granizado a la función Bebida y al contrario. Esto quiere decir que durante el periodo de descongelación el Granizado se derretirá a la temperatura fijada por el termostato y una vez que el periodo de descongelación haya terminado, el producto automáticamente se congela de nuevo a la viscosidad prefijada del Granizado.

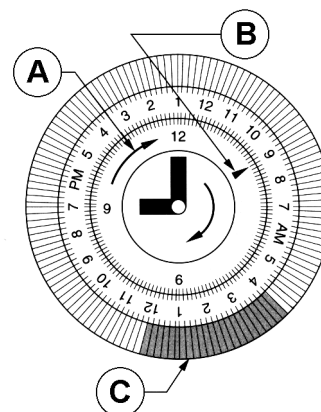


figura 20

Para utilizar el contador de descongelación seguir los siguientes pasos (ver figura 20):

1 fijar la hora del día girando el contador en sentido horario. **Nunca girar el contador en sentido antihorario** ya que el mecanismo interno podría verse dañado. Alinear la hora del día mediante la aguja B situada en la cara del contador. Este es un contador que muestra las 24 horas AM y PM.

2 programar el contador de descongelación presionando las lengüetas indicadas con la letra "C" que corresponden a las horas prefijadas para la descongelación. Cada división representa 15 minutos. Un mínimo de cuatro a ocho horas son necesarias para la descongelación de la bebida (dependiendo de las condiciones ambientales).

Note: cuando todas las lengüetas no están presionadas la función de descongelación se mantiene apagada (el distribuidor funciona como si no estuviera equipado con el contador de descongelación).

ugolini®

02436-00029
R5.0 21M13