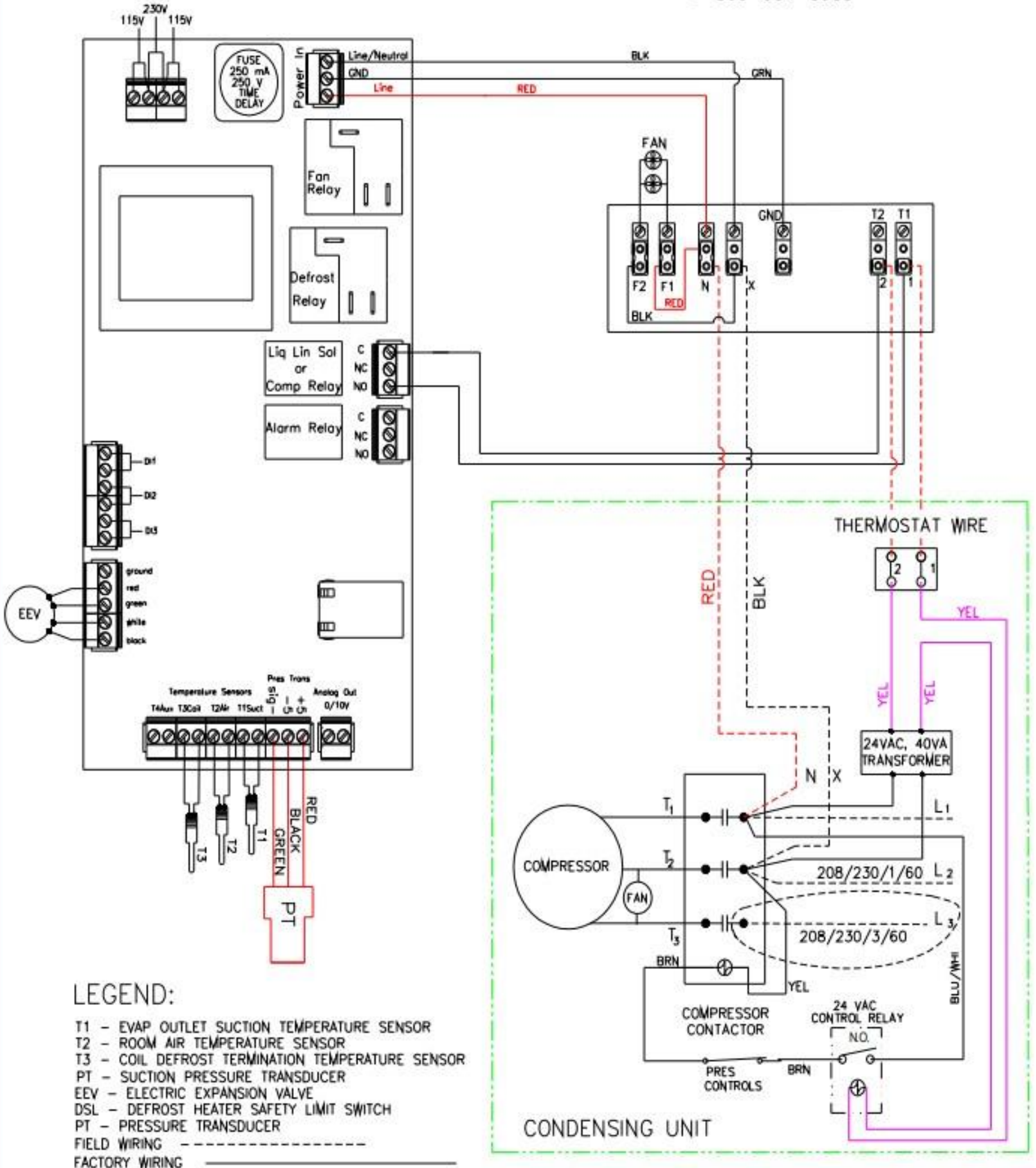


ADVANCED MASTER CONTROLLER WIRING

208-230/1-3/60 AIR DEFROST

MB MASTER-BILT
Refrigeration Solutions

PLEASE CALL FACTORY SERVICE DEPT.
IF YOU ARE FIRST TIME INSTALLER
1-800-684-8988



LEGEND:

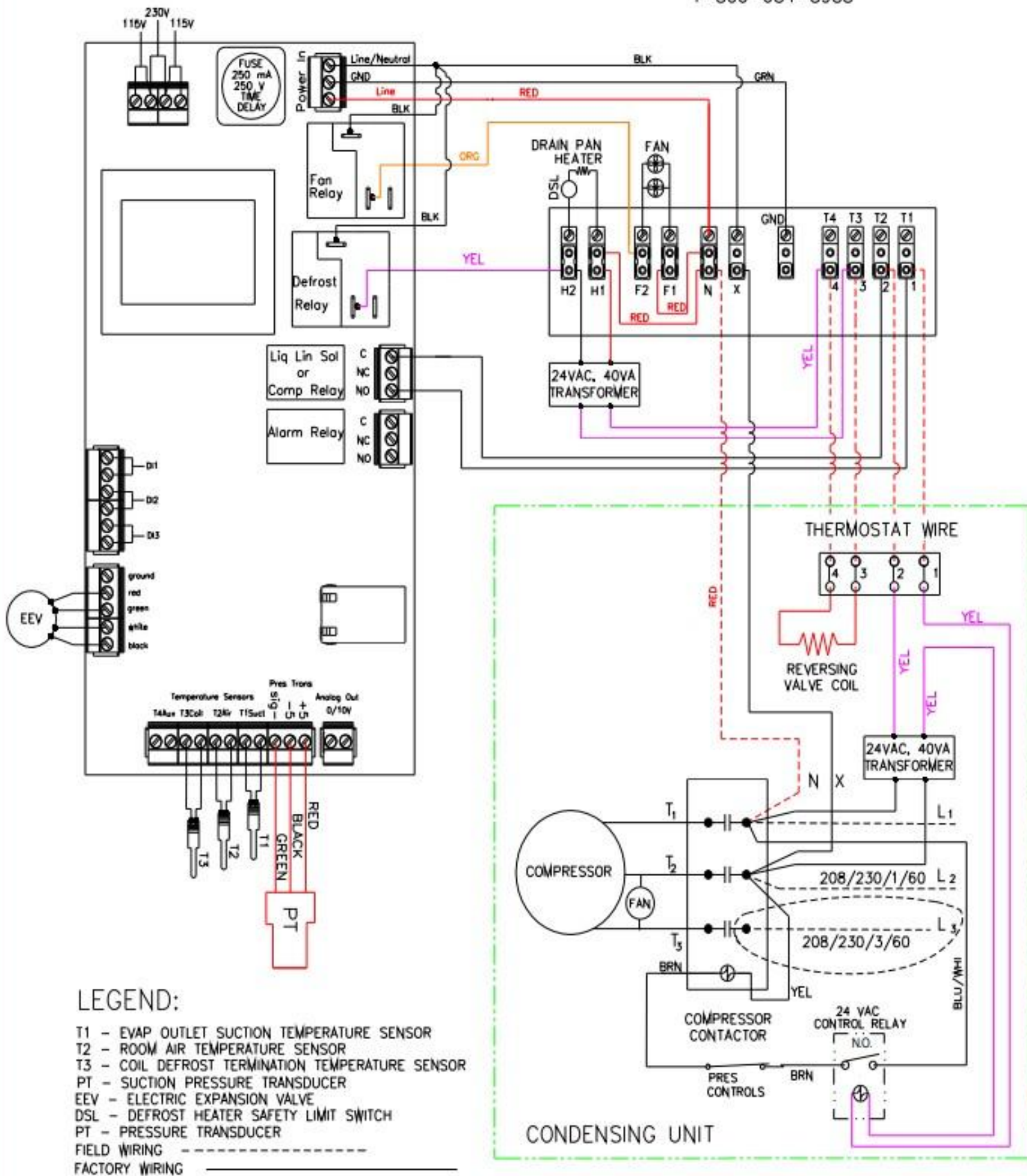
- T1 - EVAP OUTLET SUCTION TEMPERATURE SENSOR
- T2 - ROOM AIR TEMPERATURE SENSOR
- T3 - COIL DEFROST TERMINATION TEMPERATURE SENSOR
- PT - SUCTION PRESSURE TRANSDUCER
- EEV - ELECTRIC EXPANSION VALVE
- DSL - DEFROST HEATER SAFETY LIMIT SWITCH
- PT - PRESSURE TRANSDUCER
- FIELD WIRING - - - - -
- FACTORY WIRING - - - - -

ADVANCED MASTER CONTROLLER WIRING

208-230/1-3/60 REVERSE CYCLE DEFROST

MB MASTER-BILT
Refrigeration Solutions

PLEASE CALL FACTORY SERVICE DEPT.
IF YOU ARE FIRST TIME INSTALLER
1-800-684-8988

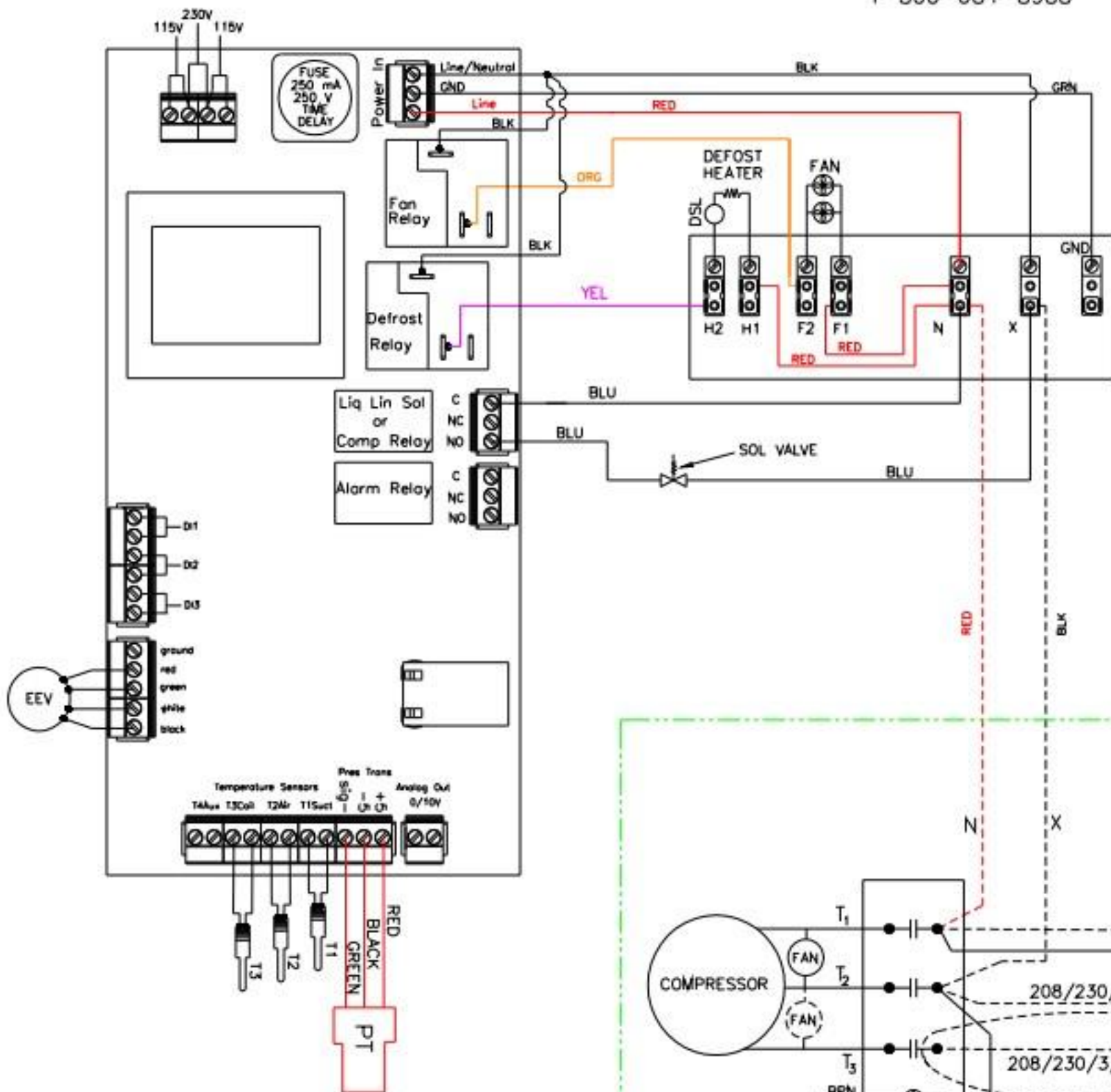


ADVANCED MASTER CONTROLLER WIRING

208-230/1-3/60 ELECTRIC DEFROST

MBMASTER-BILT
Refrigeration Solutions

PLEASE CALL FACTORY SERVICE DEPT.
IF YOU ARE FIRST TIME INSTALLER
1-800-684-8988



LEGEND:

- T1 - EVAP OUTLET SUCTION TEMPERATURE SENSOR
- T2 - ROOM AIR TEMPERATURE SENSOR
- T3 - COIL DEFROST TERMINATION TEMPERATURE SENSOR
- PT - SUCTION PRESSURE TRANSDUCER
- EEV - ELECTRIC EXPANSION VALVE
- DSL - DEFROST HEATER SAFETY LIMIT SWITCH
- PT - PRESSURE TRANSDUCER
- FIELD WIRING - - - - -
- FACTORY WIRING - - - - -

