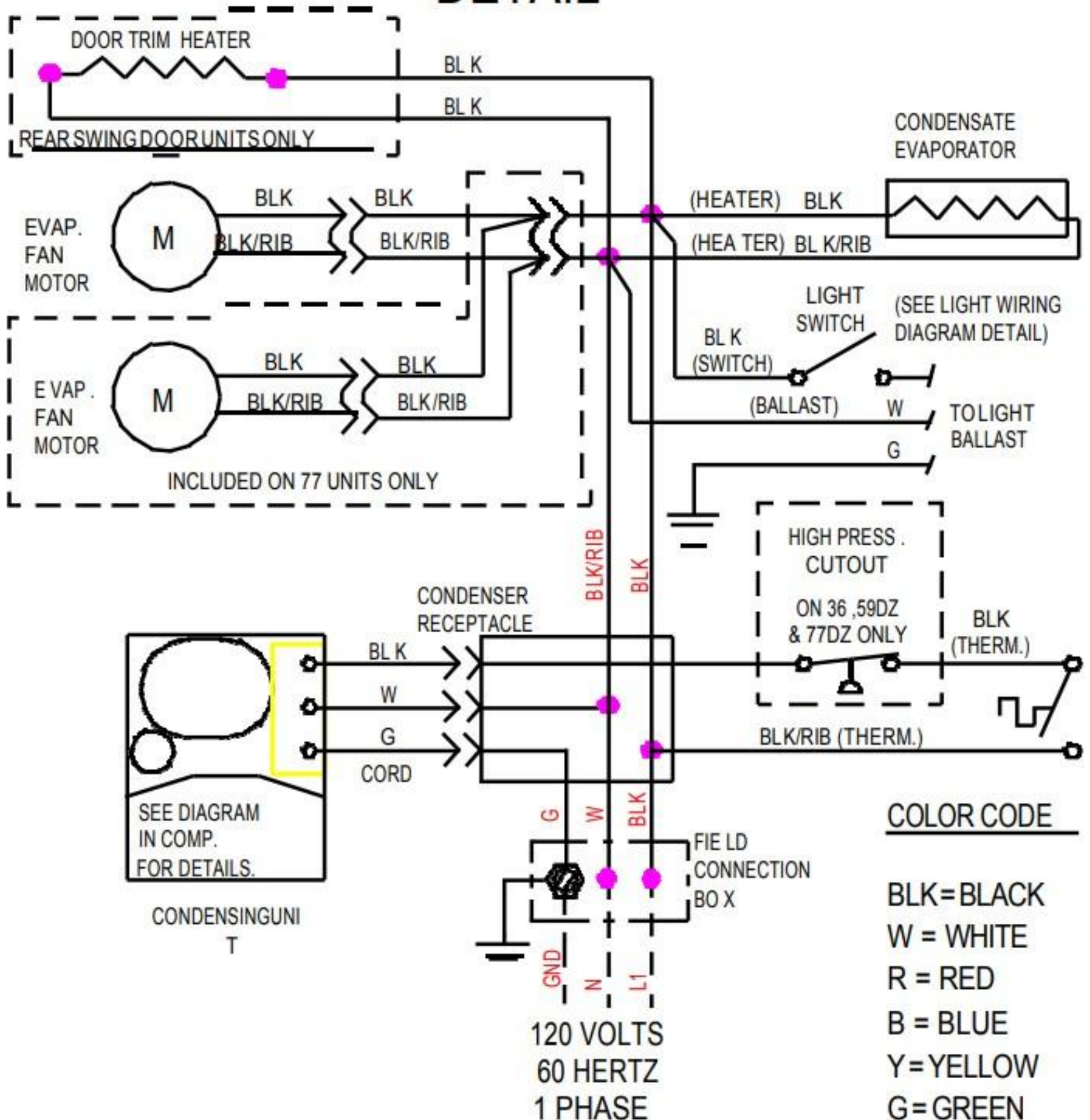


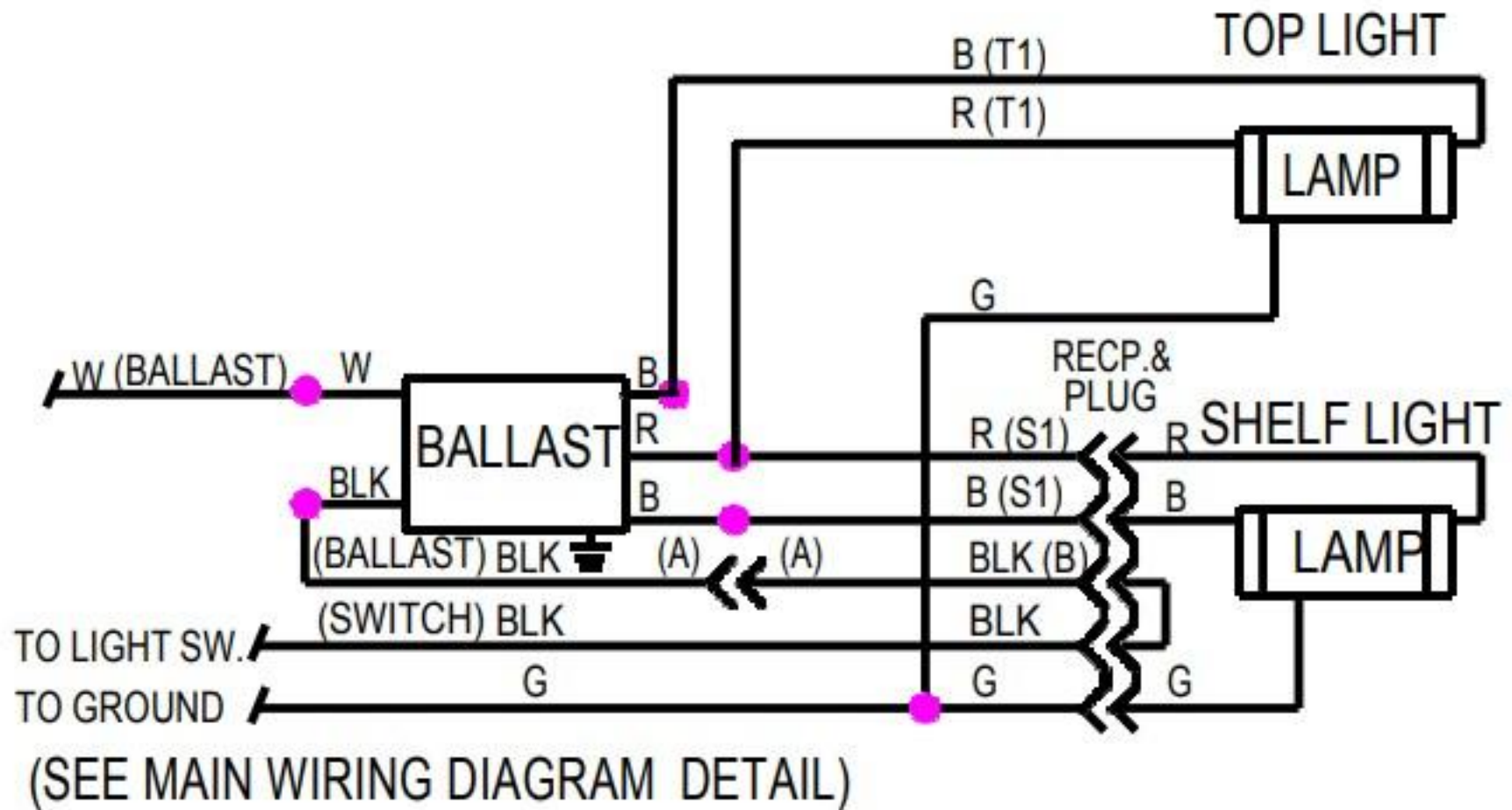
MAIN WIRING DIAGRAM

DETAIL



LIGHT WIRING DIAGRAM DETAIL

(2) F017T8, F025T8, F032T8, F040T8



COLOR CODE:

BLK = BLACK

W = WHITE

R = RED

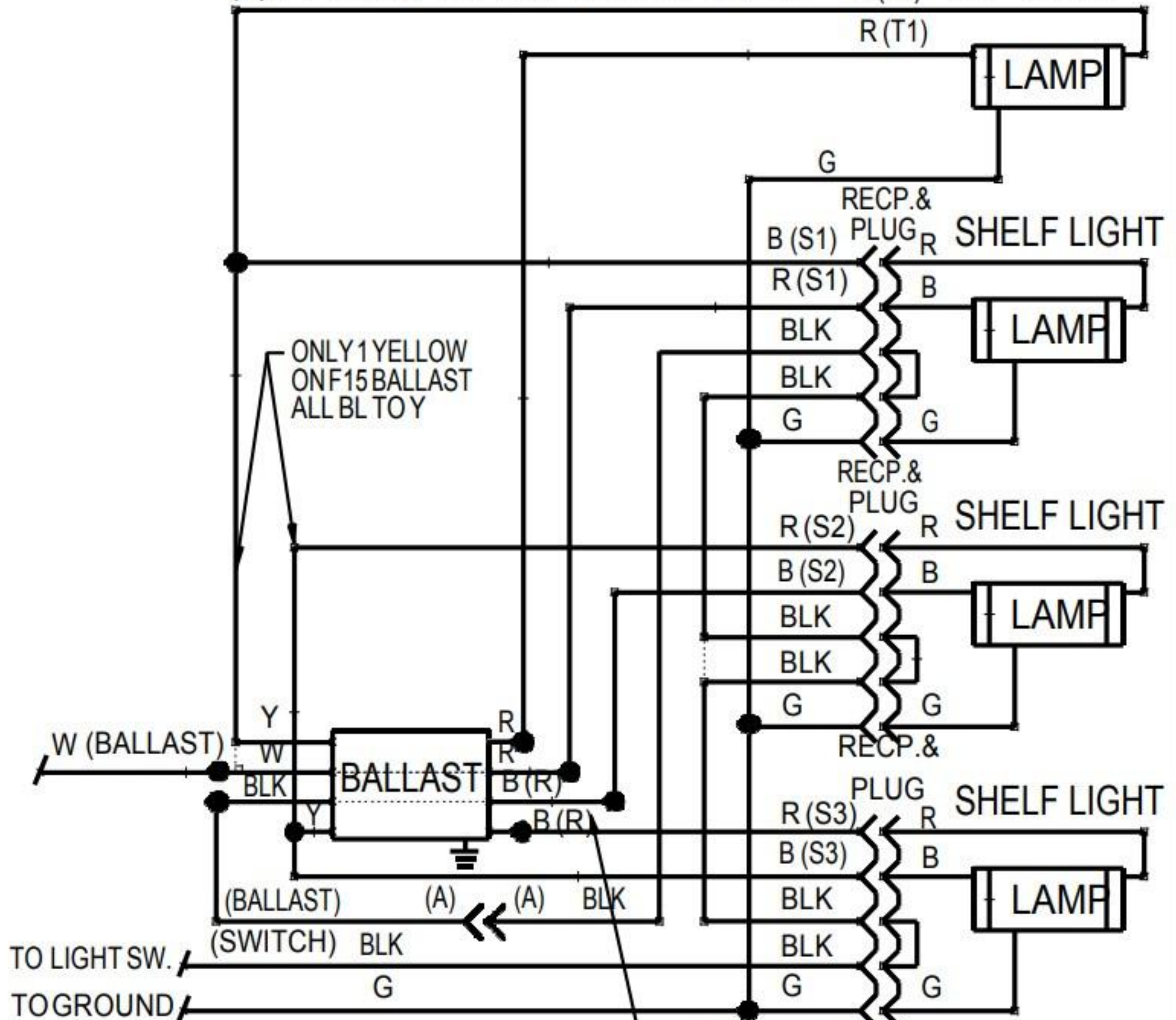
B = BLUE

Y = YELLOW

G = GREEN

LIGHT WIRING DIAGRAM DETAIL

(4) FO15T8, FO17T8, FO25T8, FO32T8 B (T1) TOP LIGHT



(SEE MAIN WIRING DIAGRAM DETAIL)

(R)(R) FOR F015

COLOR CODE:

BLK = BLACK B = BLUE

W = WHITE Y = YELLOW

R = RED G = GREEN

LIGHT WIRING DIAGRAM DETAIL

(4) F040T8

TOP LIGHT

B (T1)

R (T1)

LAMP

CAP BLUE LEADS NOT USED

W

BALLAST

B

R

B

BLK

G

RECP. &
PLUG

R (S1)

B (S1)

BLK

BLK

G

SHELF LIGHT

LAMP

RECP. &
PLUG

B (S2)

R (S2)

BLK

BLK

G

SHELF LIGHT

LAMP

RECP. &
PLUG

R (S3)

B (S3)

BLK

BLK

G

SHELF LIGHT

LAMP

W (BALLAST)

B

R

B

BLK

(BALLAST)

(A)

(A)

TO LIGHT SW.

TO GROUND

(SWITCH)

BLK

G

(SEE MAIN WIRING DIAGRAM DETAIL)

COLOR CODE:

BLK = BLACK B = BLUE

W = WHITE Y = YELLOW

R = RED G = GREEN