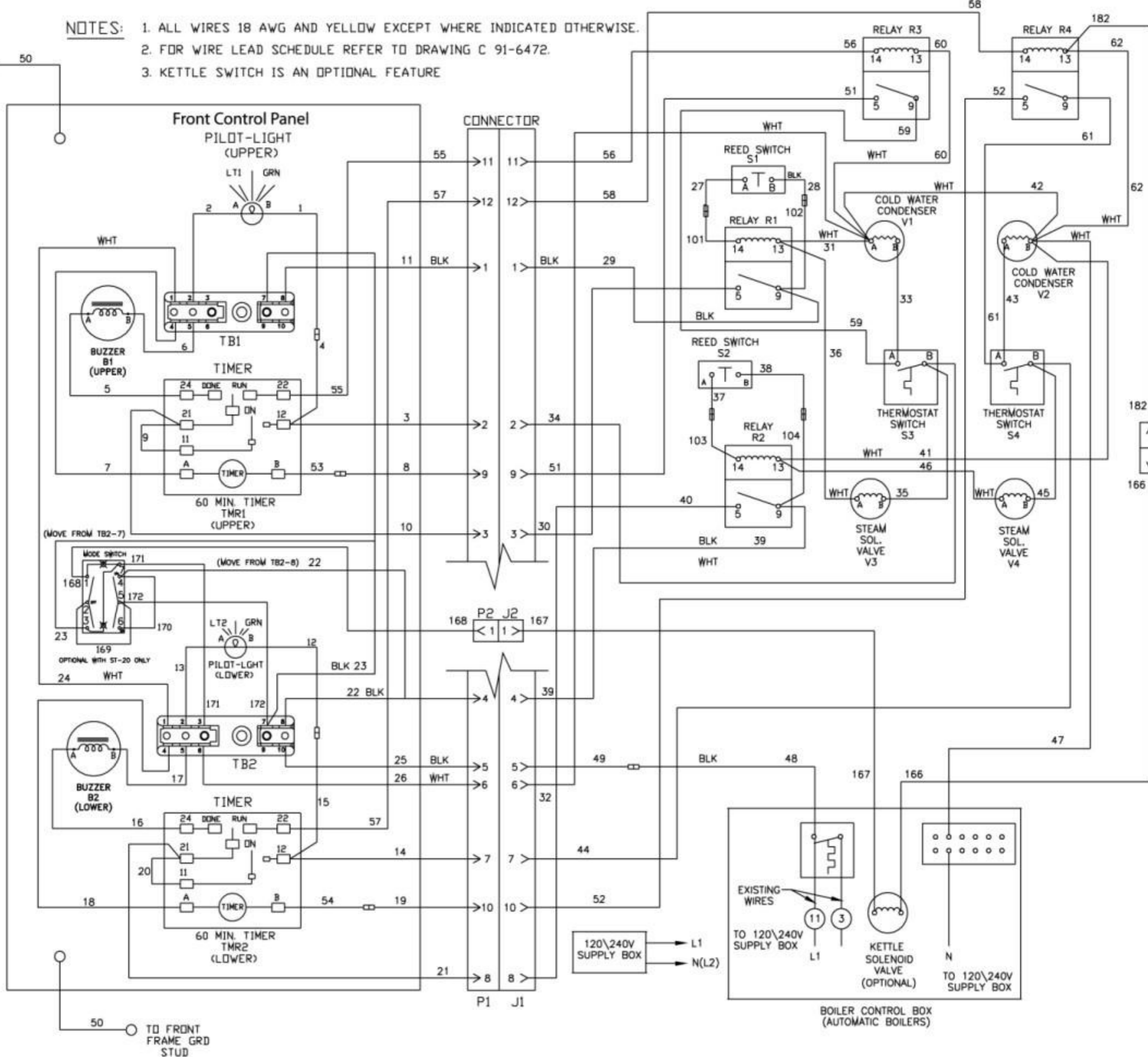


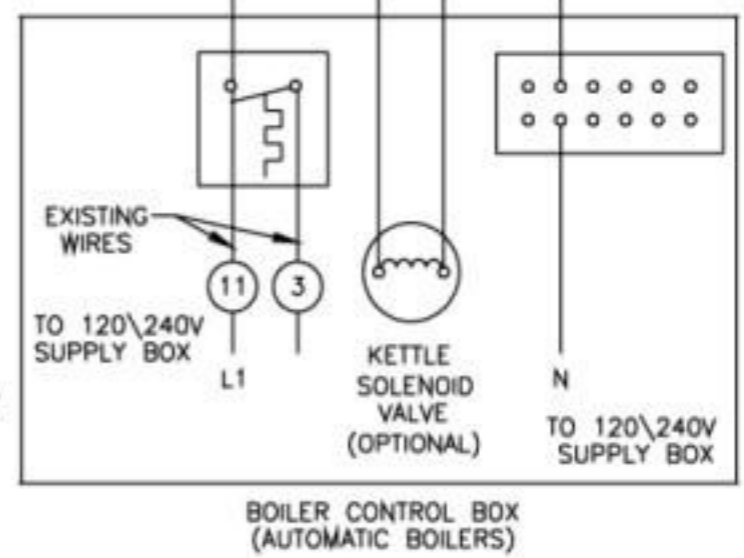
- NOTES:**
1. ALL WIRES 18 AWG AND YELLOW EXCEPT WHERE INDICATED OTHERWISE.
  2. FOR WIRE LEAD SCHEDULE REFER TO DRAWING C 91-6472.
  3. KETTLE SWITCH IS AN OPTIONAL FEATURE

TO FRONT  
FRAME GRD  
STUD



**Front Control Panel**

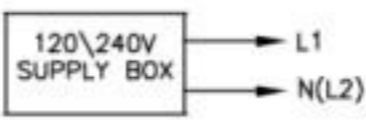
**CONNECTOR**



(MOVE FROM TB2-7)

(MOVE FROM TB2-8)

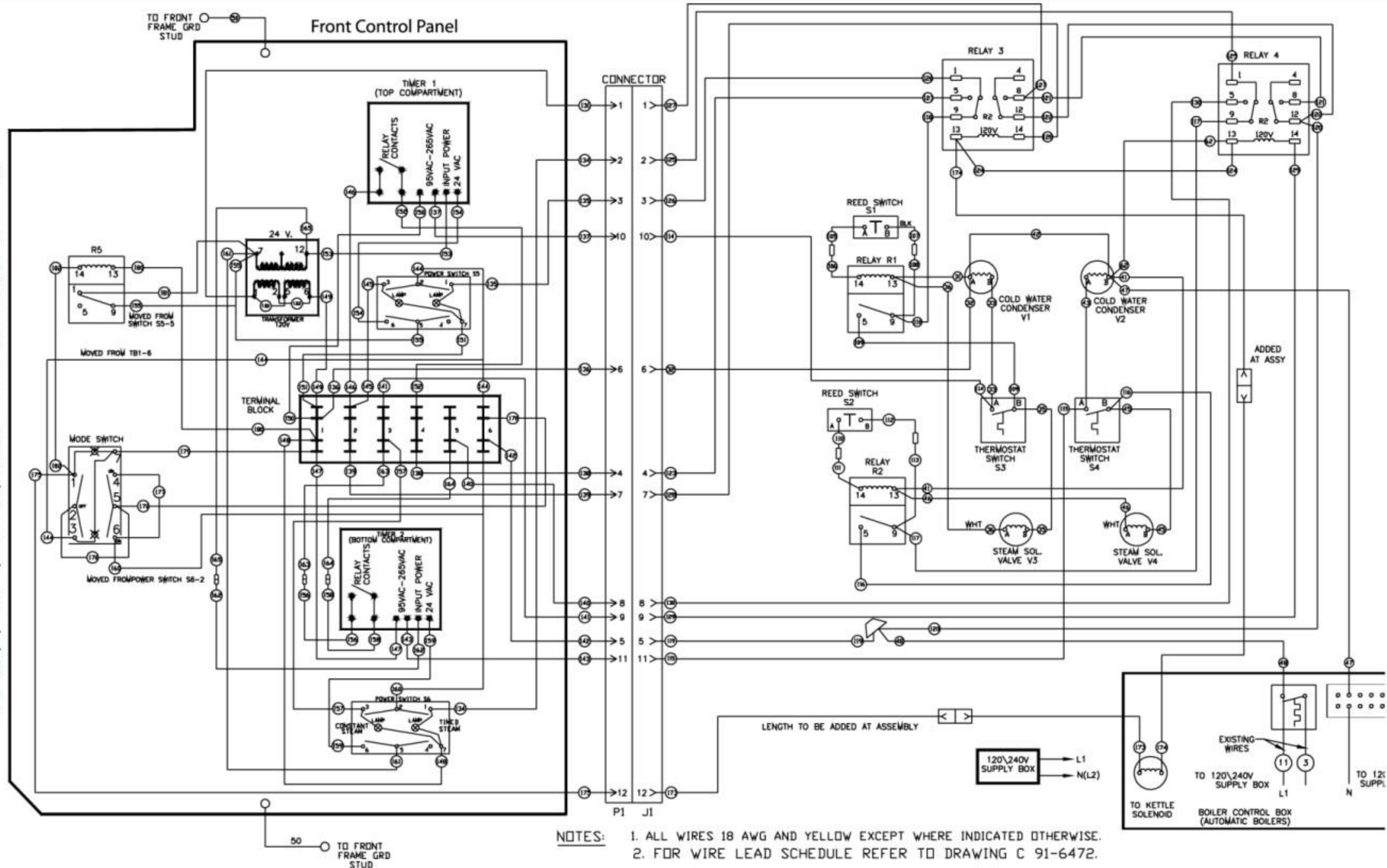
OPTIONAL WITH ST-20 ONLY



**BOILER CONTROL BOX  
(AUTOMATIC BOILERS)**

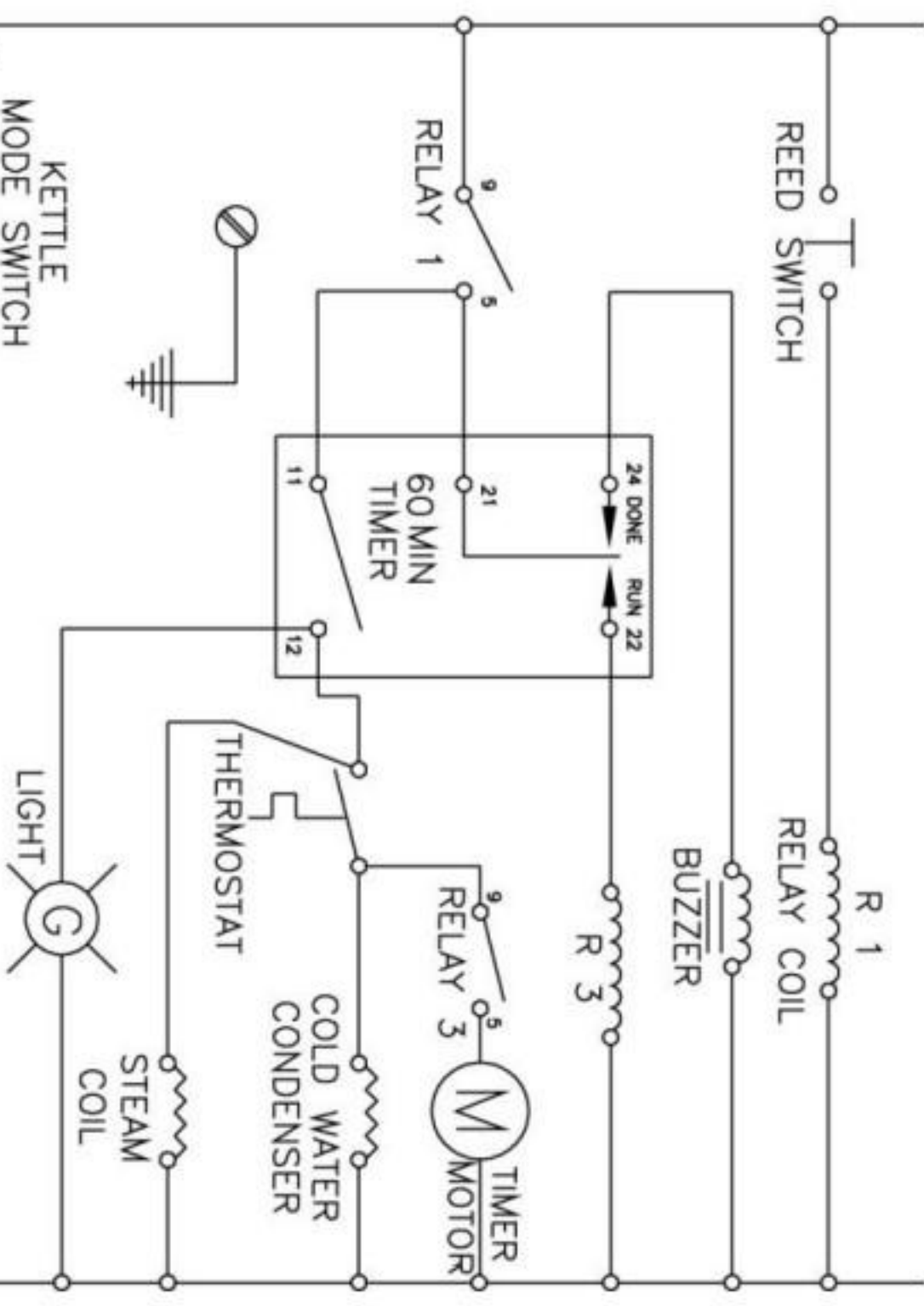
TO FRONT  
FRAME GRD  
STUD

Figure 5, Wiring Diagram, Digital Controls, Model ST-24



NOTES: 1. ALL WIRES 18 AWG AND YELLOW EXCEPT WHERE INDICATED OTHERWISE.  
2. FOR WIRE LEAD SCHEDULE REFER TO DRAWING C 91-6472.

TOP



<---OPTIONAL ON ST-24 ONLY

BOTTOM

