



MARKET FORGE

FT SERIES DIRECT CONNECTED STEAM KETTLE PARTS AND SERVICE MANUAL

EFFECTIVE DECEMBER 19, 2014

Superseding All Previous Parts Lists.

The Company reserves the right to make substitution in the event that items specified are not available.

ERRORS: Descriptive and/or typographic errors are subject to correction.

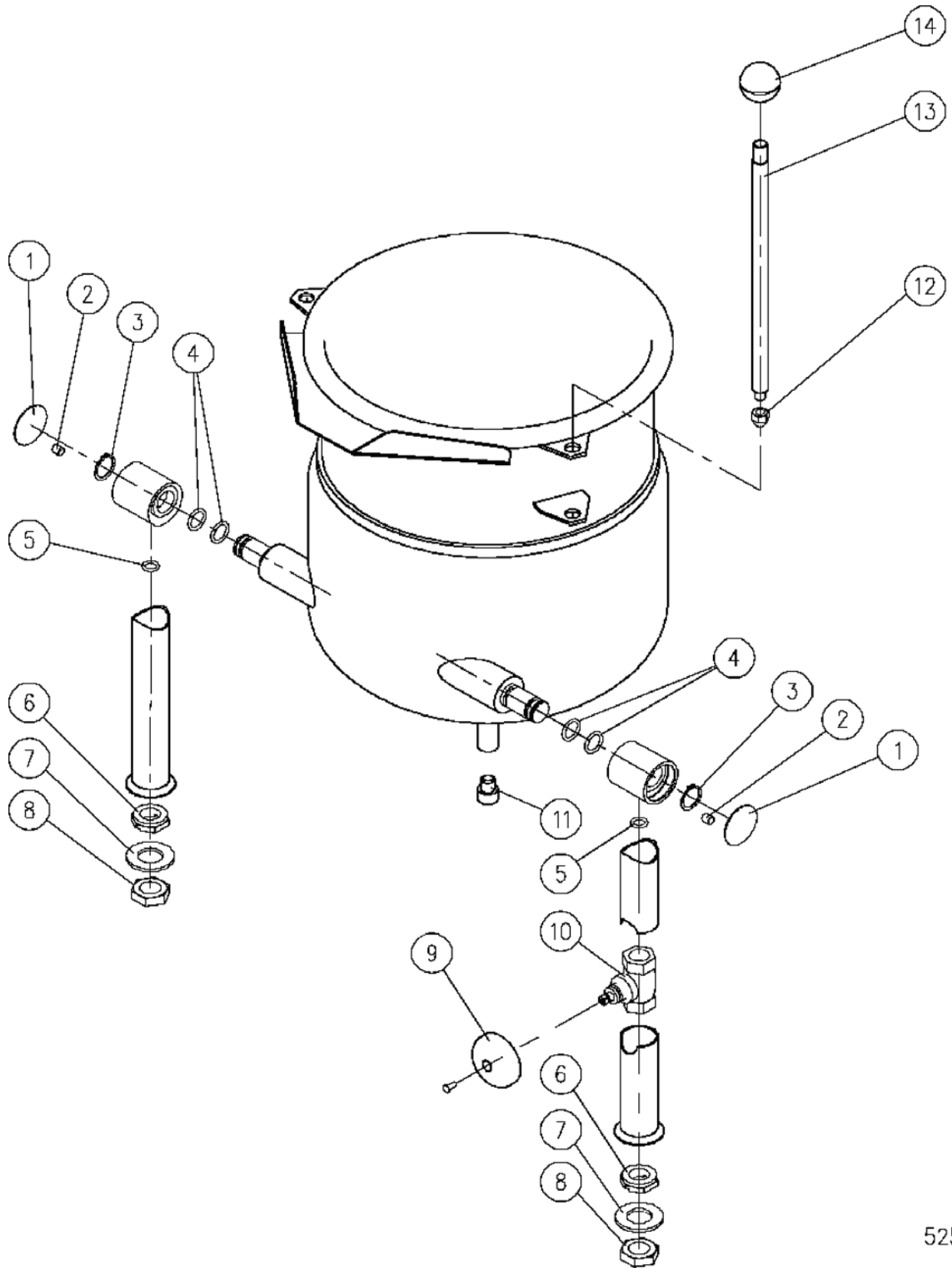
MARKET FORGE

Telephone: (802) 658-6600 Fax: (802) 860-3732

www.marketforge.com

P/N 14-0338 Rev B (12/14)

DROP-IN DIRECT CONNECT KETTLES



5252R1

DROP-IN DIRECT CONNECT KETTLES

ITEM	PART NO.	DESCRIPTION	QTY
1	97-5663	Trunnion Cap	2
2	97-7143	Set Screw, 5/16 -18 x 3/8 "	2
3	97-5123	Retaining Clip	2
4	97-5122	"O" Ring	4
5	97-5664	"O" Ring	2
6	97-5895	Brass Nut 1/2 - 14"	2
7	97-5120	Washer	2
8	97-5121	Nut 1/2 - 14 NPS	2
9	97-5306	Knob	1
10	97-5181	Valve	1
11	97-6360	Nylon Foot	1
12	97-5116	Acorn Nut 3/8 - 16	1
*13	97-7144	Handle	1
	97-7145	Handle, 20 Gallon	1
14	97-5008	Knob	1
*15	97-5666	Condensate Leg Assembly, 6 Gallon	1
	97-5667	Condensate Leg Assembly, 10, 12 Gallon	1
	97-5668	Condensate Leg Assembly, 20 Gallon	1
*16	97-5118A	Steam In Leg Assembly, 6 Gallon	1
	97-5660	Steam In Leg Assembly, 10, 12 Gallon	1
	97-5661	Steam In Leg Assembly, 20 Gallon	1
**17	97-6405	"O" Ring Lube, 2 grams	1

* SELECT AS REQUIRED

** NOT SHOWN